



US00D822476S

(12) **United States Design Patent** (10) **Patent No.:** **US D822,476 S**  
**Haftarski et al.** (45) **Date of Patent:** **\*\* Jul. 10, 2018**

(54) **MULTIPLE OPTION CLIP** D537,334 S \* 2/2007 Lee ..... D8/396  
7,185,770 B1 3/2007 Roten  
(71) Applicant: **HellermannTyton Corporation,** 7,240,880 B2 7/2007 Benoit et al.  
Milwaukee, WI (US) 7,347,454 B2 3/2008 Martus  
7,762,503 B2 7/2010 Franks  
(72) Inventors: **Eric John Haftarski,** Big Bend, WI 7,775,484 B2 8/2010 Gunzburger  
(US); **James S. Teece,** Cedarburg, WI D636,661 S \* 4/2011 Marmas ..... D8/395  
(US) D665,660 S \* 8/2012 Heindl ..... D8/382  
(Continued)

(73) Assignee: **HELLERMANN TYTON CORPORATION,** Milwaukee, WI (US)  
(\*\*) Term: **15 Years**

FOREIGN PATENT DOCUMENTS  
DE 102012024122 A1 6/2014  
EP 0816735 A1 1/1998  
(Continued)

(21) Appl. No.: **29/582,271**  
(22) Filed: **Oct. 26, 2016**  
(51) **LOC (11) Cl.** ..... **08-08**  
(52) **U.S. Cl.**  
USPC ..... **D8/398**  
(58) **Field of Classification Search**  
USPC ..... D8/399, 382, 349, 397, 394, 398  
CPC ..... F16B 39/24; F16B 31/028; F16B 39/28;  
F16B 41/002; E04G 25/065; F01L 9/04;  
B25B 13/50  
See application file for complete search history.

OTHER PUBLICATIONS  
Webpage, <http://www.hellermanntyton.com/site/products/cable-ties-with-fixing-elements/t50roc1a/156-00036>, 1 page, date unknown.  
(Continued)

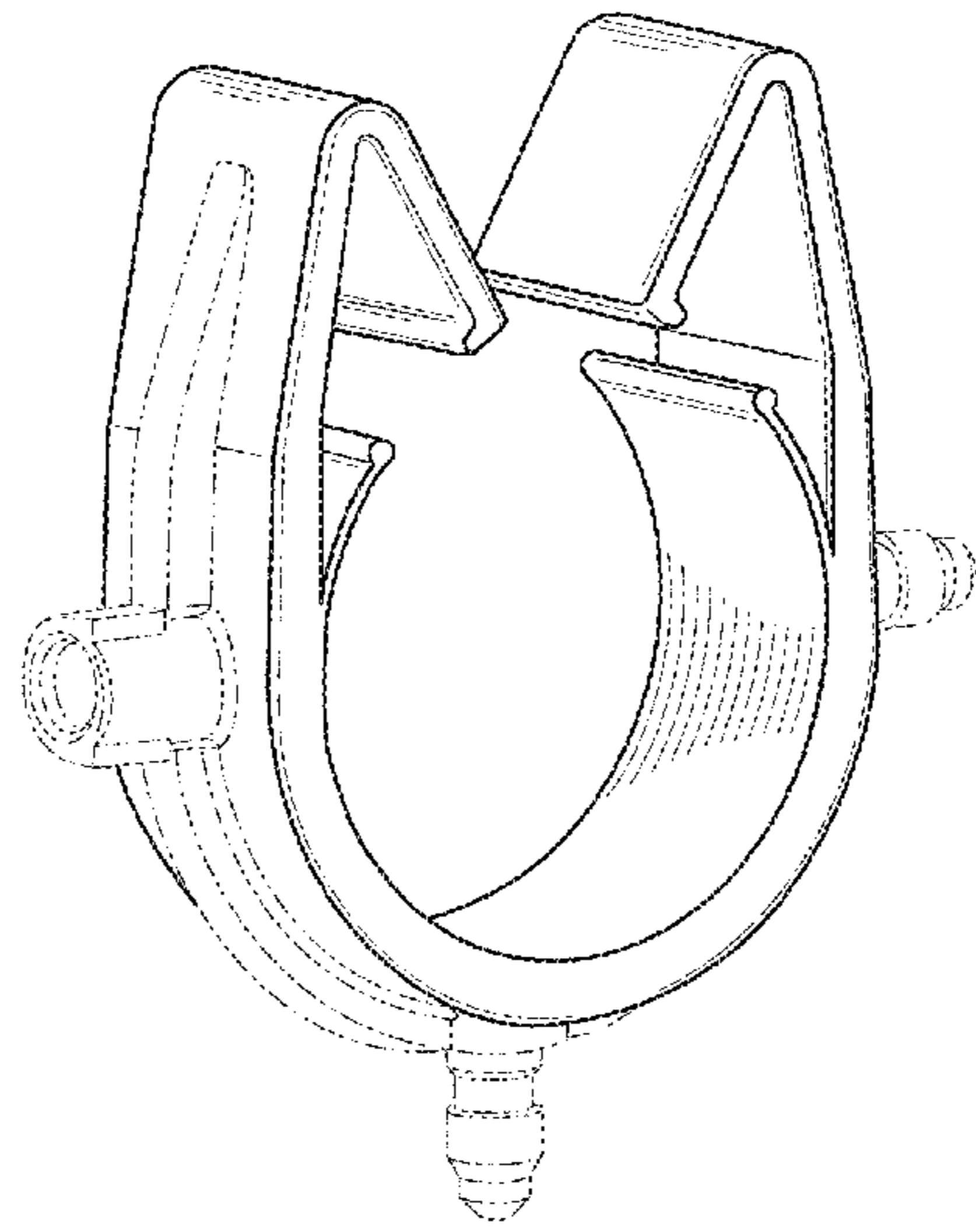
(56) **References Cited**  
U.S. PATENT DOCUMENTS  
3,516,631 A \* 6/1970 Santucci ..... F16L 3/12  
24/16 PB  
4,470,179 A 9/1984 Gollin et al.  
4,609,171 A \* 9/1986 Matsui ..... F16L 3/12  
24/16 PB  
4,762,296 A 8/1988 Kraus et al.  
4,917,340 A 4/1990 Juemann et al.  
D425,779 S \* 5/2000 Nakamura ..... D8/356  
6,061,880 A 5/2000 Senninger  
6,109,569 A 8/2000 Sakaida  
6,554,232 B1 4/2003 Macris  
D516,904 S \* 3/2006 Kendrick ..... D8/395

Primary Examiner — Cynthia R Underwood  
(74) Attorney, Agent, or Firm — Robert J. Myers

(57) **CLAIM**  
The ornamental design for a multiple option clip, as shown and described.

**DESCRIPTION**  
FIG. 1 is a perspective view of our first embodiment; FIG. 2 is a left side elevation view; FIG. 3 is a right side elevation view; FIG. 4 is a front elevation view; FIG. 5 is a back elevation view; FIG. 6 is a top plan view; and, FIG. 7 is a bottom plan view.  
The broken lines in the figures represent portions of the article that form no part of the claimed design.

**1 Claim, 2 Drawing Sheets**



(56)

**References Cited**

## U.S. PATENT DOCUMENTS

D702,113 S \* 4/2014 Weger ..... D8/396  
9,016,639 B2 4/2015 Kuhm et al.  
D736,060 S \* 8/2015 Shimizu ..... D8/349  
D763,066 S \* 8/2016 Sugimoto ..... D8/382  
D797,937 S \* 9/2017 Dacosta ..... D24/171  
D798,136 S \* 9/2017 Pittman ..... D8/382  
2009/0293233 A1 12/2009 Ho et al.  
2010/0263171 A1 10/2010 Paik  
2013/0047385 A1 2/2013 Healy et al.  
2014/0201954 A1 7/2014 Kuhm et al.  
2015/0219132 A1 8/2015 Lacroix

## FOREIGN PATENT DOCUMENTS

EP 1092903 A1 4/2001  
EP 2131084 12/2009  
GB 2014644 B 5/1982  
WO WO 2006/138151 A3 12/2006  
WO WO 2008/062573 A1 5/2008  
WO WO 2011/113804 A1 9/2011  
WO WO 2014/158437 A1 10/2014

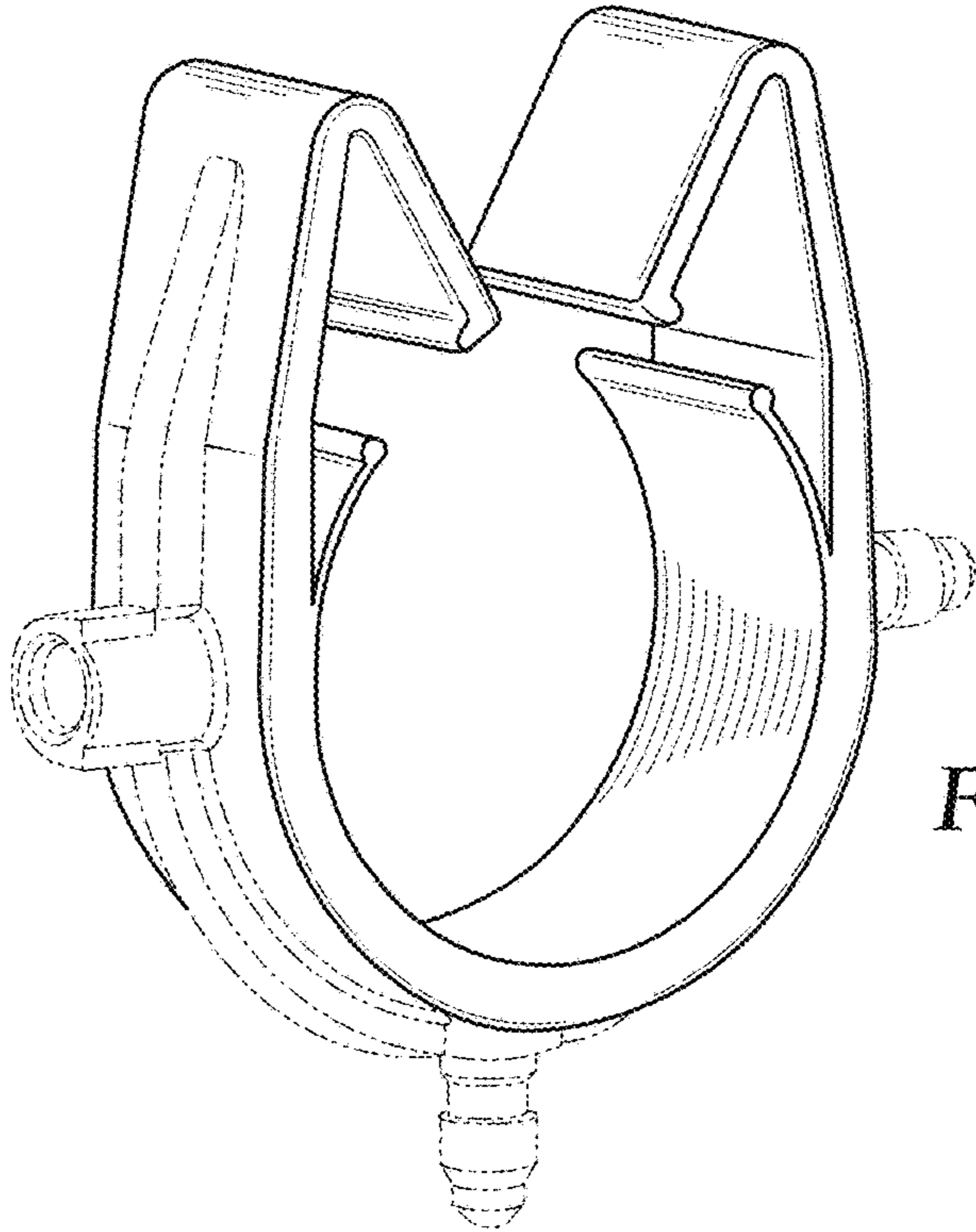
## OTHER PUBLICATIONS

Webpage, <http://www.hellermannntyton.com/site/products/cable-ties-with-fixing-elements/t50smvcoc25-311156-00303>, 1 page, date unknown.

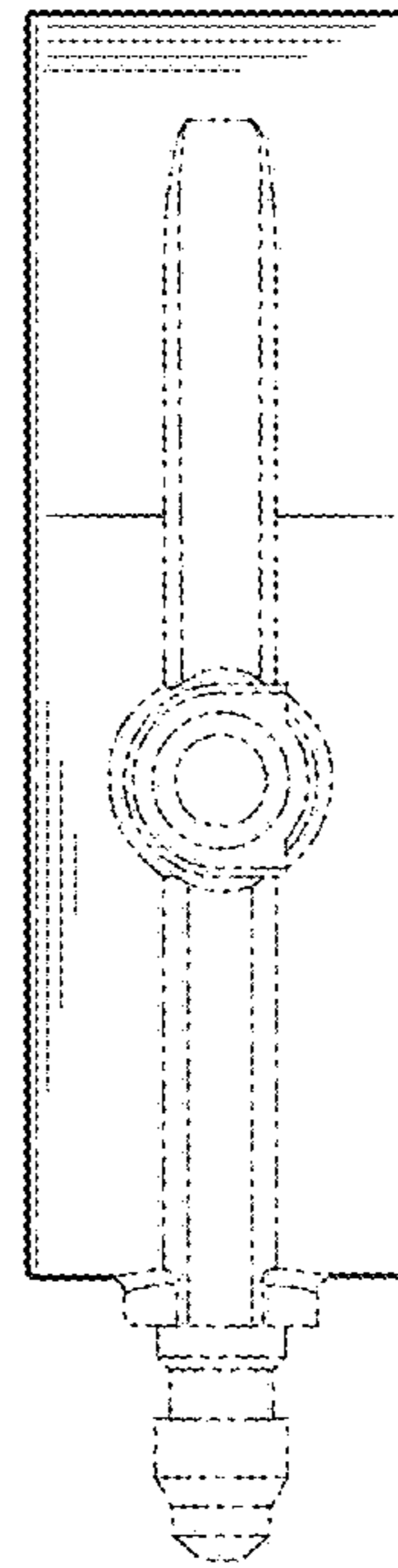
Webpage, <http://www.digikey.com/product-search/en?keywords=PC15F17>, 1 page, date unknown.

Webpage, <http://www.zackelectronics.com/omega-clip-tie-50lbs-clip-dia-16-4-max-bun-dia-1-38-500-pack-black.html>, 1 page, date unknown.

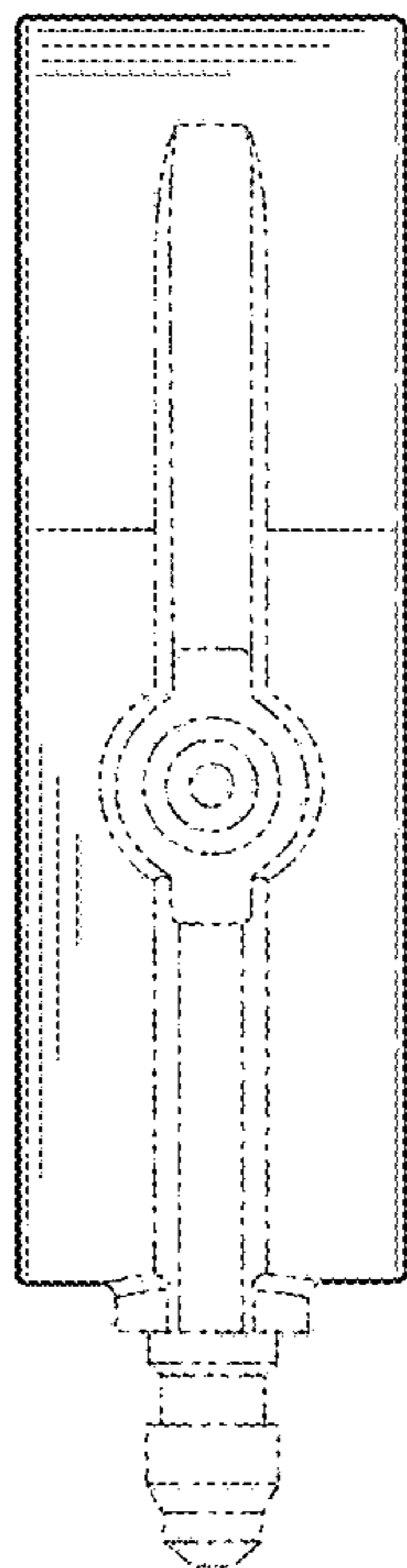
\* cited by examiner



*Fig. 1*



*Fig. 2*



*Fig. 3*

