



US00D822475S

(12) **United States Design Patent**
Golnik et al.

(10) **Patent No.:** **US D822,475 S**

(45) **Date of Patent:** **** *Jul. 10, 2018**

(54) **CLASP**

(71) Applicant: **Misfit, Inc.**, Salem, NH (US)

(72) Inventors: **Timothy Golnik**, San Francisco, CA (US); **Adam Mack**, Menlo Park, CA (US); **Diana Chang**, San Francisco, CA (US); **Ryan Geraghty**, San Francisco, CA (US)

(73) Assignee: **Fossil Group, Inc.**, Richardson, TX (US)

(*) Notice: This patent is subject to a terminal disclaimer.

(**) Term: **15 Years**

(21) Appl. No.: **29/541,088**

(22) Filed: **Sep. 30, 2015**

(51) **LOC (11) Cl.** **08-05**

(52) **U.S. Cl.**
USPC **D8/395**

(58) **Field of Classification Search**
USPC D8/71-74, 394-399, 59; 248/63, 72, 248/74.1, 689, 124.2; 81/487, 385, 386, 81/388-390; 269/3, 4, 6, 143, 165, 240, 269/243, 246-249, 254 R, 147-149; 29/256, 257, 276; 408/103, 104-109
CPC B25B 1/00; B25B 5/00
See application file for complete search history.

(56) **References Cited**

U.S. PATENT DOCUMENTS

D514,434 S * 2/2006 Mariano D8/395
D519,360 S * 4/2006 Naden D8/395

D522,850 S * 6/2006 Mandel D8/395
D525,117 S * 7/2006 Mariano D8/395
D599,651 S * 9/2009 Riggsbee D8/395
D607,715 S * 1/2010 Chiu D8/395
D615,394 S * 5/2010 Pearson D8/395
D620,785 S * 8/2010 St. Germaine D8/395
D645,969 S * 9/2011 Del Solar D24/194
D665,246 S * 8/2012 Laguelle D8/395
D667,724 S * 9/2012 Mangano D8/395
D679,581 S * 4/2013 Liu D8/395
D758,839 S * 6/2016 Kaalberg D8/395

* cited by examiner

Primary Examiner — David Muller

(74) *Attorney, Agent, or Firm* — Cooley LLP

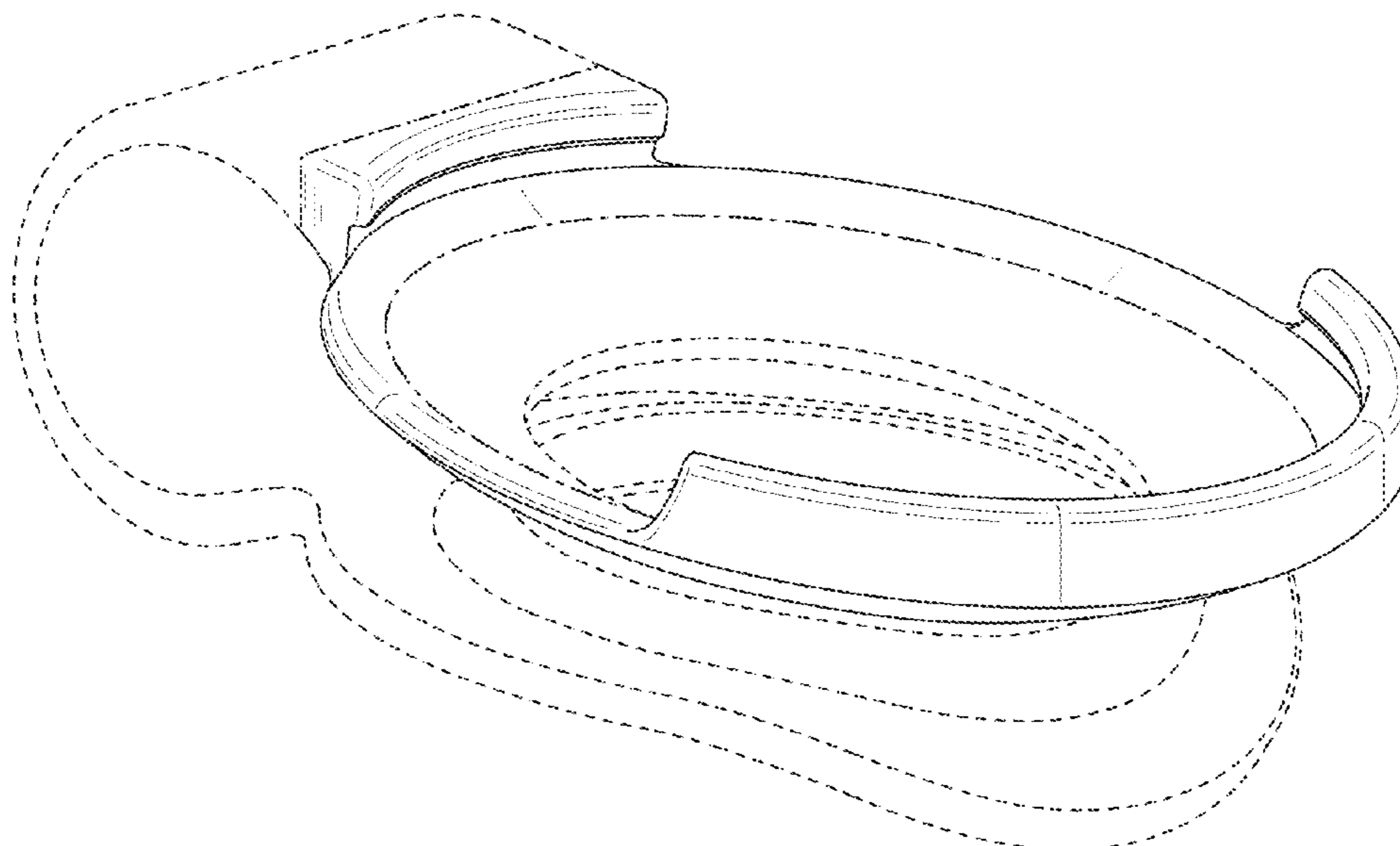
(57) **CLAIM**

The ornamental design for a clasp, as shown and described.

DESCRIPTION

FIG. 1 is a perspective view of the clasp;
FIG. 2 is another perspective view thereof;
FIG. 3 is a front view thereof, the back view being a mirror image thereof;
FIG. 4 is a top view thereof;
FIG. 5 is a bottom view thereof;
FIG. 6 is a right side view thereof; and,
FIG. 7 is a left side view thereof.
The dash dot lines immediately adjacent to the claimed areas in the views represent the boundaries of the claimed design. The dashed lines in the figures illustrate the portions of the design that form no part of the claimed design. None of the broken lines form any part of the claimed design.

1 Claim, 7 Drawing Sheets



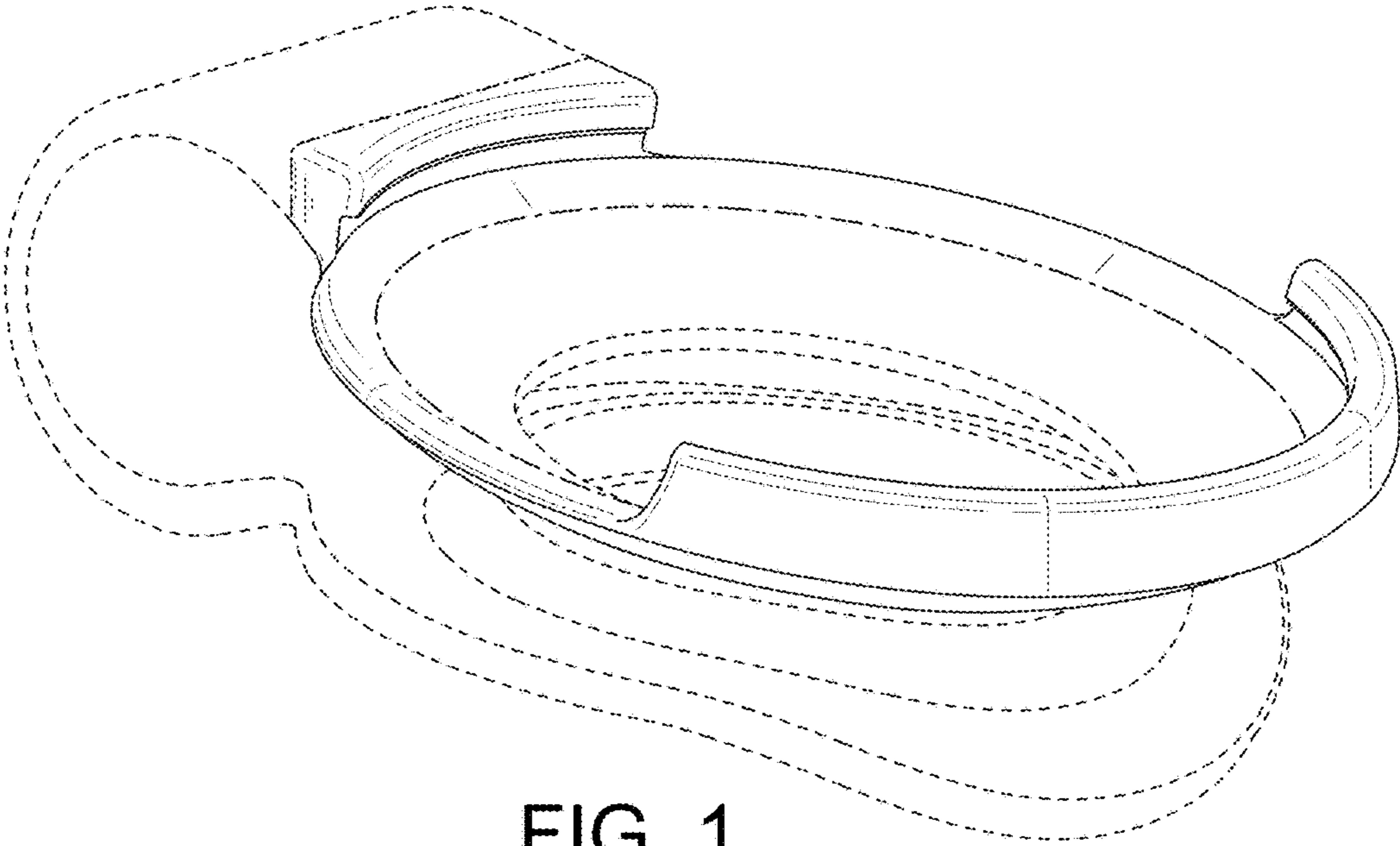


FIG. 1

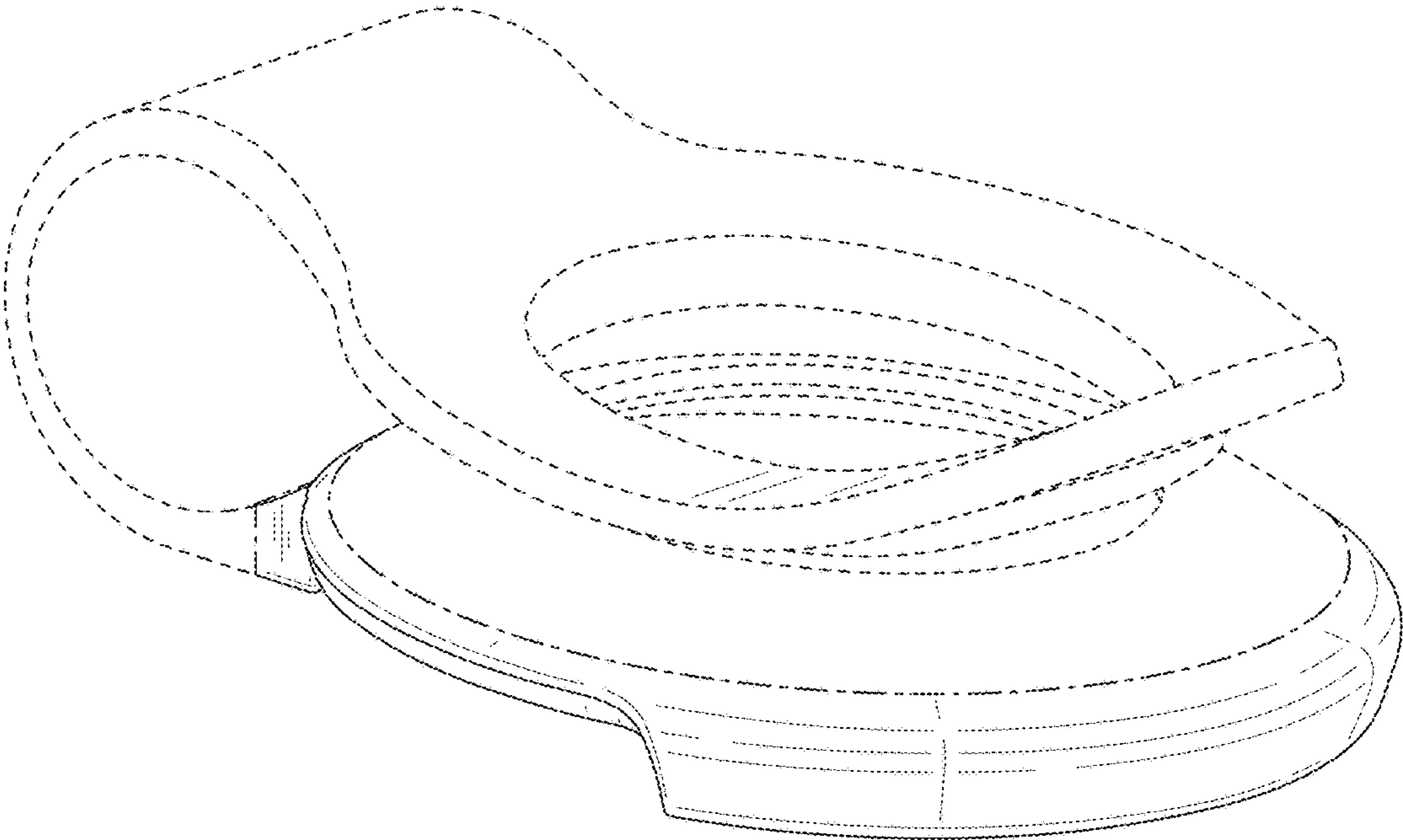


FIG. 2

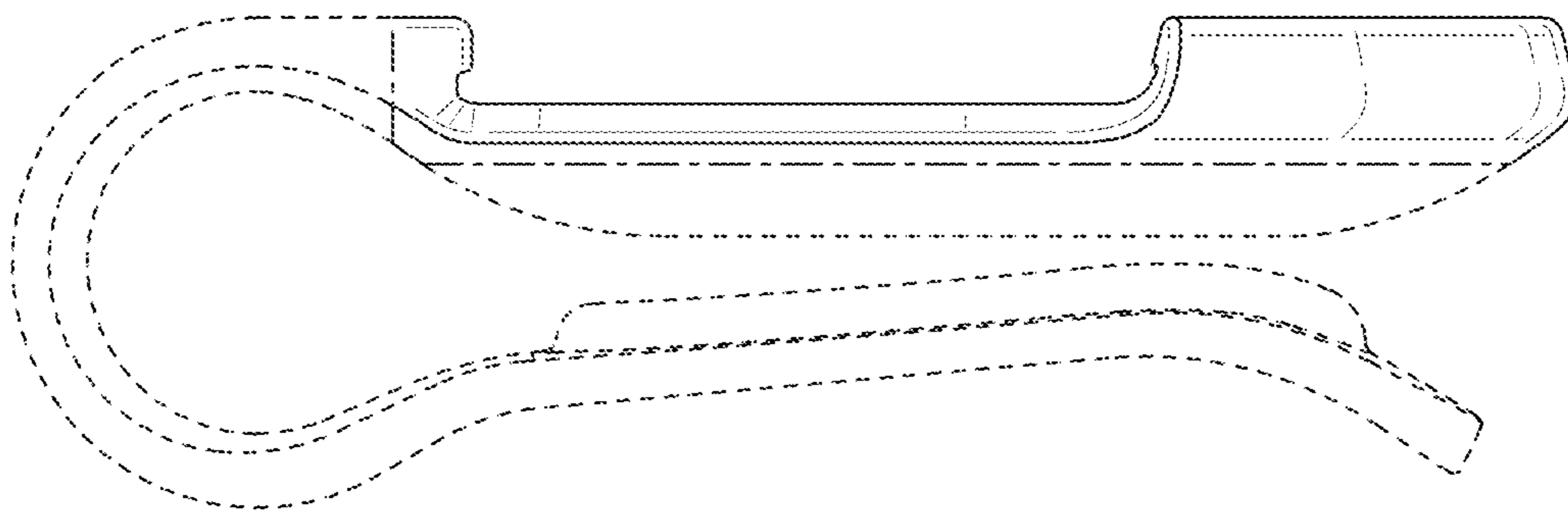


FIG. 3

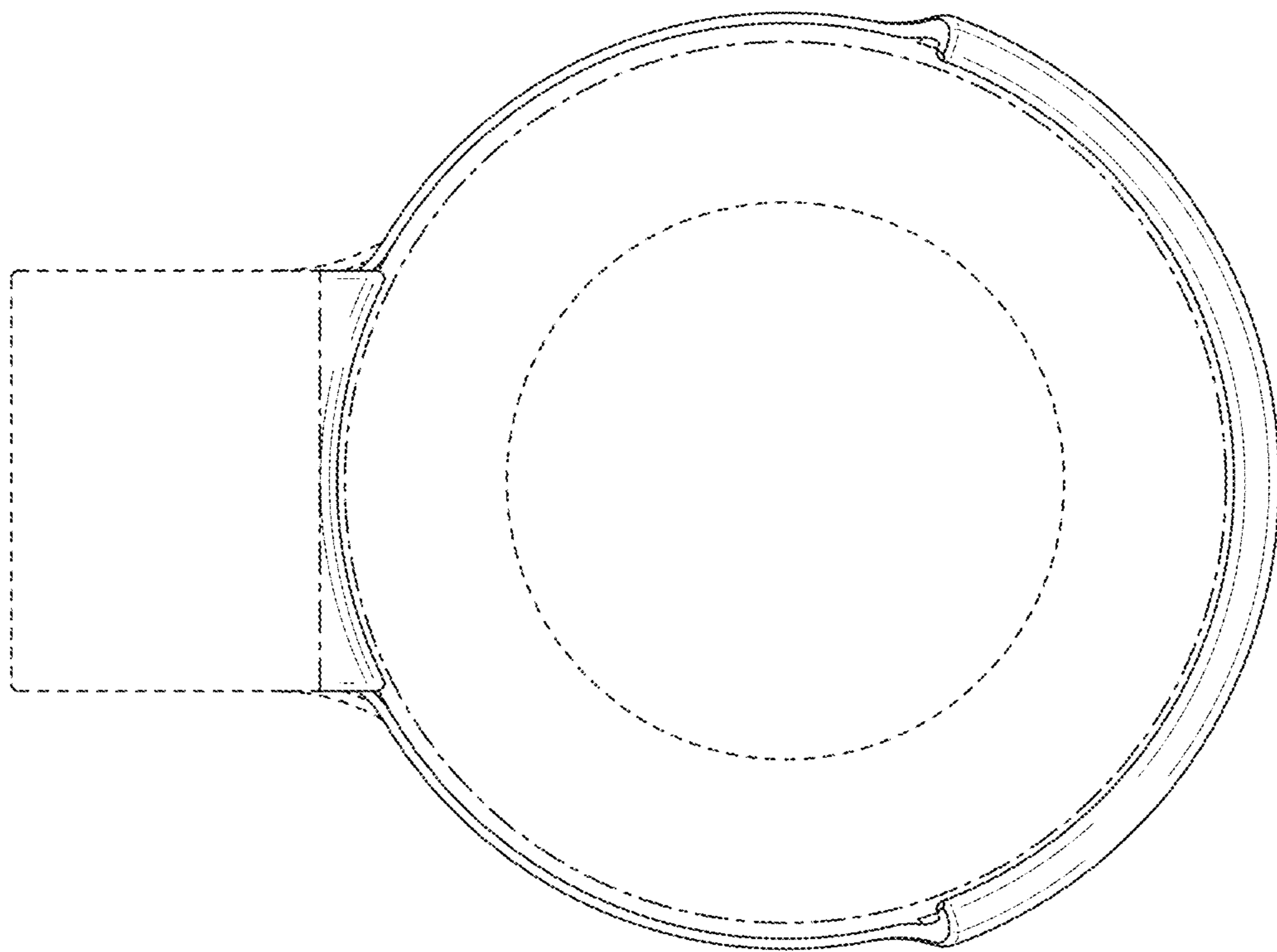


FIG. 4

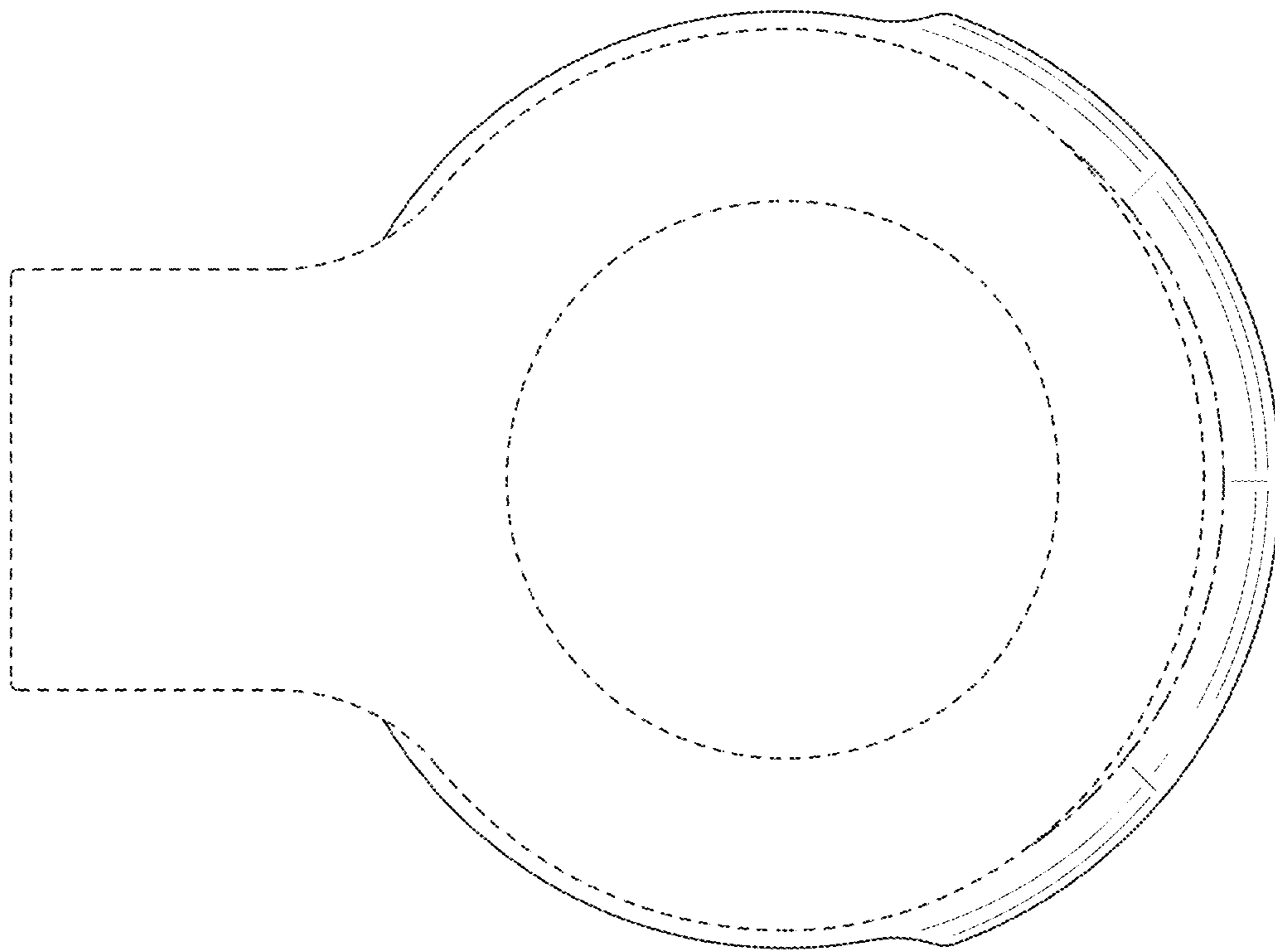


FIG. 5

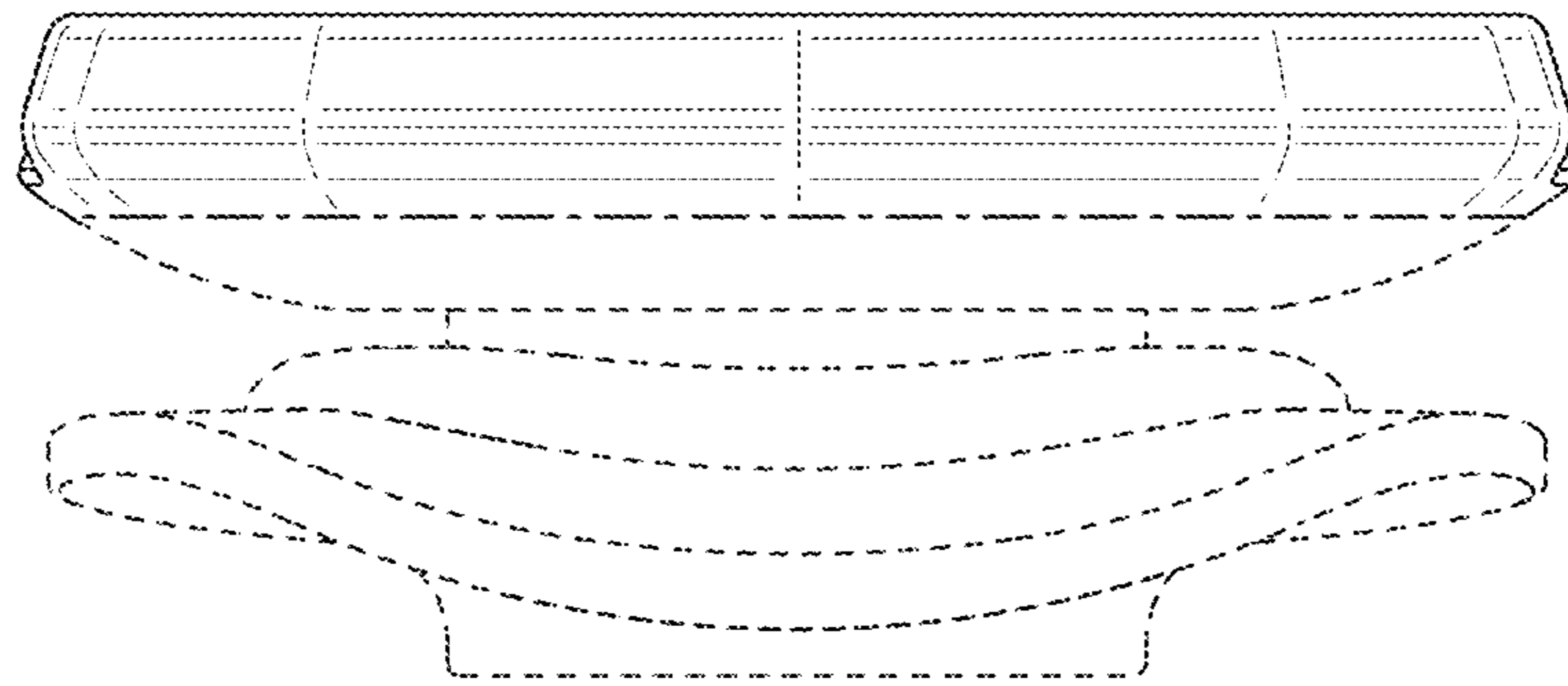


FIG. 6

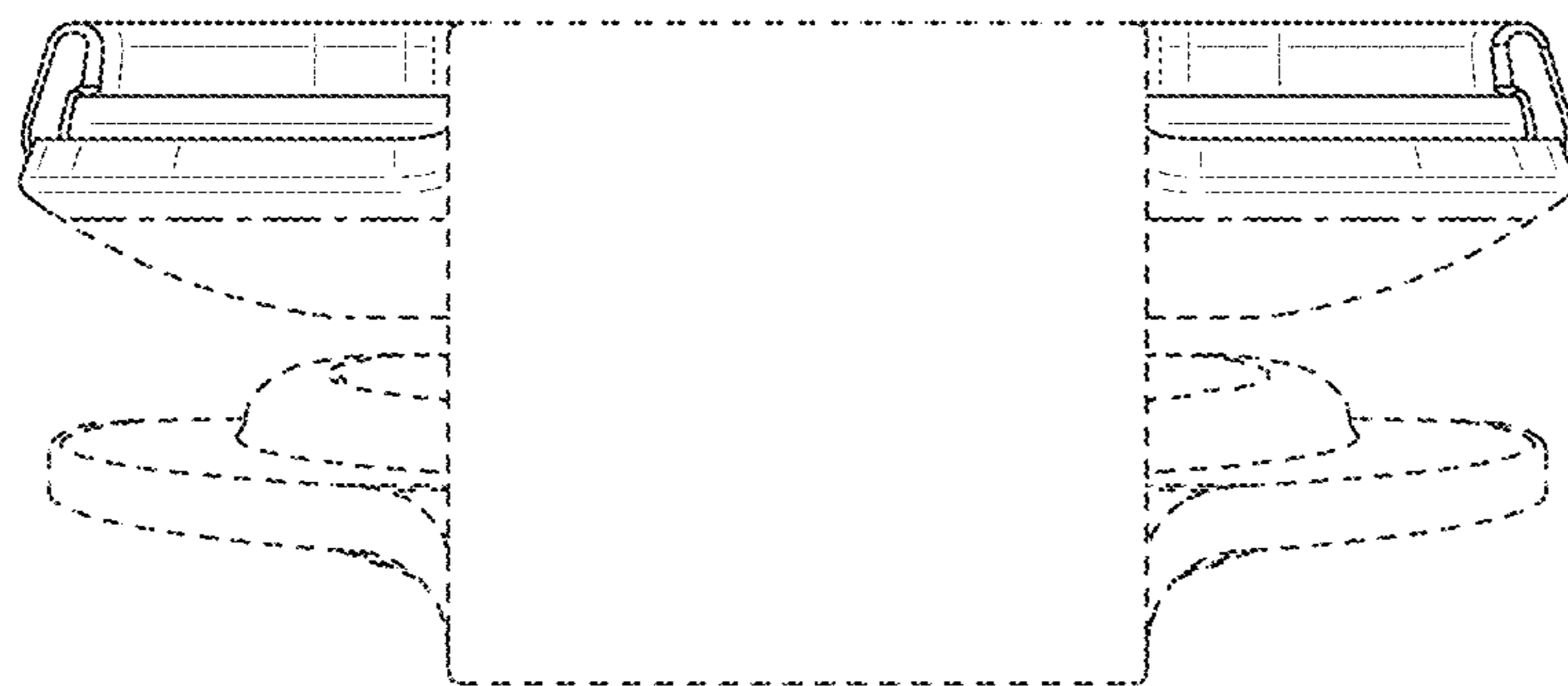


FIG. 7