



US00D822474S

(12) **United States Design Patent**
Nguyen

(10) **Patent No.:** **US D822,474 S**
(45) **Date of Patent:** **** Jul. 10, 2018**

(54) **OBJECT GRIPPER**

(71) Applicant: **Nguyen Nguyen**, Chicago, IL (US)

(72) Inventor: **Nguyen Nguyen**, Chicago, IL (US)

(**) Term: **15 Years**

(21) Appl. No.: **29/583,181**

(22) Filed: **Nov. 2, 2016**

Related U.S. Application Data

(63) Continuation-in-part of application No. 14/533,935, filed on Nov. 5, 2014, now Pat. No. 9,603,440.

(51) **LOC (11) Cl.** **08-08**

(52) **U.S. Cl.**
USPC **D8/394**; D8/395

(58) **Field of Classification Search**
USPC D8/394–396; 428/588, 602
CPC ... F16K 5/0647; F16B 5/0692; B60K 15/063;
B60K 15/03; A45F 5/02
See application file for complete search history.

(56) **References Cited**

U.S. PATENT DOCUMENTS

- D33,452 S * 10/1900 Pax D19/65
- 884,256 A 4/1908 Addie
- 1,102,350 A 7/1914 Myers et al.
- 1,346,393 A 7/1920 Woodhouse
- 1,478,880 A 12/1923 Otterbein
- 2,809,004 A 10/1957 Kaufman et al.
- 2,818,673 A 1/1958 Nedbalek
- 3,035,864 A 5/1962 Davidson
- 3,666,372 A 5/1972 Lipkowski
- D308,819 S * 6/1990 Anscher D13/154
- D312,069 S * 11/1990 Williamson D13/102
- 5,048,159 A 9/1991 Johansson et al.
- 5,524,327 A 6/1996 Mickel et al.
- 5,577,302 A * 11/1996 Bortle A41D 25/025
2/150
- 5,752,297 A * 5/1998 Ramey E04H 15/644
24/460

- 6,098,251 A * 8/2000 Zielinski F16L 33/03
24/20 EE
- 6,334,242 B1 1/2002 Scollard et al.
- 6,477,744 B1 * 11/2002 Miles B43K 23/002
24/3.1
- D566,539 S * 4/2008 Hicks D8/395
- D584,599 S * 1/2009 Chavez D8/356

(Continued)

FOREIGN PATENT DOCUMENTS

WO WO D084928-001 * 8/2015

OTHER PUBLICATIONS

Clipboards.com Mini Clipboard Pen Clip, website 2017, site visited Sep. 14, 2017 5:28:55 PM], https://clipboards.com/...jNBRCYARIsACEBhDPTP9ZUD47pTR9VNIUjgq9MhDToYjidcAZyRWK5tDec5N1IMiYIDY4aAiybEALw_wcB,*
Dec5N1IMiYIDY4aAiybEALw_wcB,*

(Continued)

Primary Examiner — John Windmuller
Assistant Examiner — John R Yeh
(74) *Attorney, Agent, or Firm* — Neal, Gerber & Eisenberg LLP; James P. Muraff

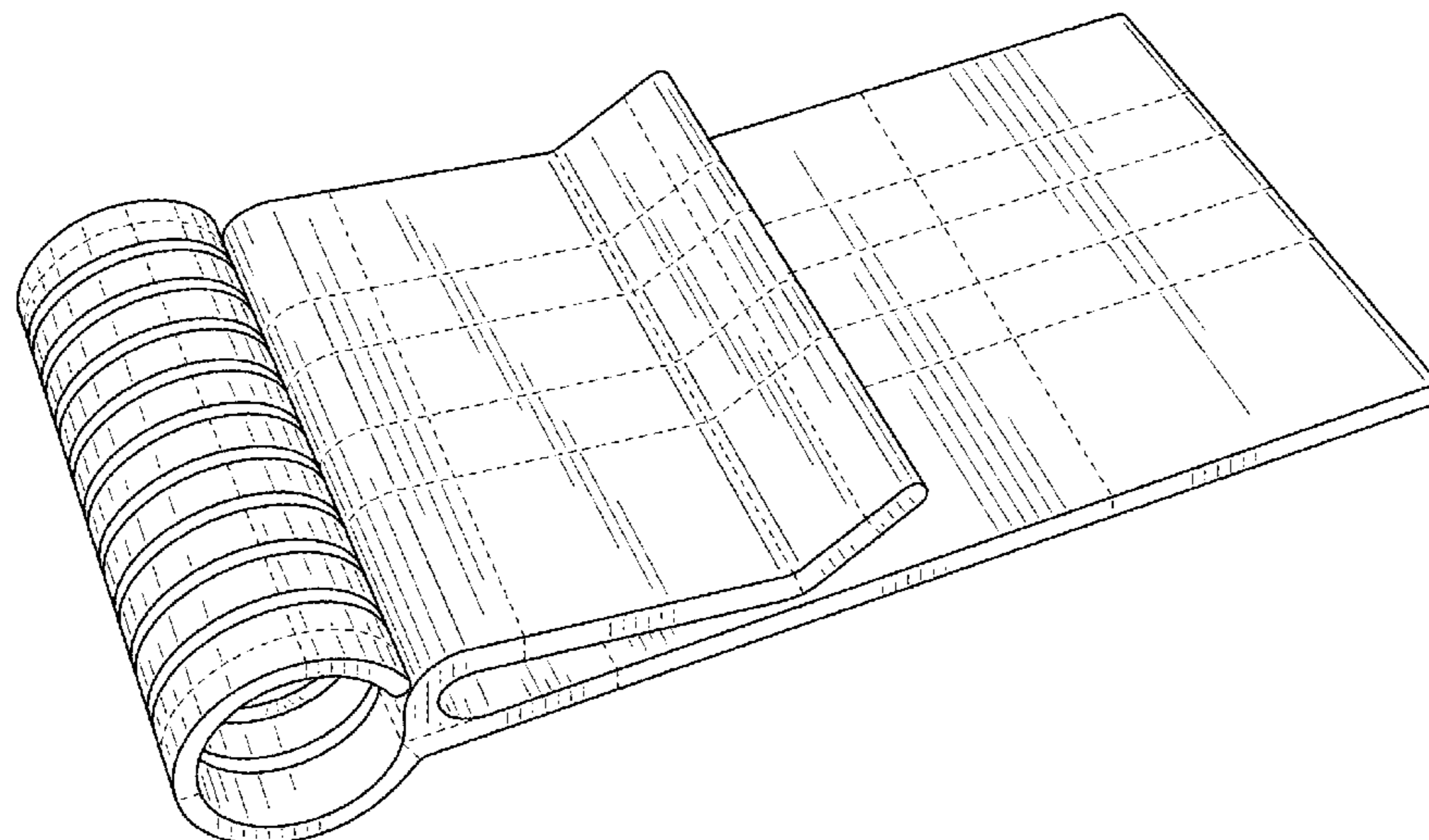
(57) **CLAIM**

The ornamental design for an object gripper, as shown and described.

DESCRIPTION

FIG. 1 is a front, left perspective view of the object gripping apparatus
FIG. 2 is a left side plan view thereof.
FIG. 3 is a right side plan view thereof.
FIG. 4 is a rear plan view thereof.
FIG. 5 is a front plan view thereof.
FIG. 6 is a top plan view thereof; and,
FIG. 7 is a bottom plan view thereof.
The broken lines form no part of the claimed design.

1 Claim, 4 Drawing Sheets



(56)

References Cited

U.S. PATENT DOCUMENTS

7,597,296 B2 10/2009 Conway
D640,973 S * 7/2011 Katsaros D13/102
D652,376 S * 1/2012 Nomi D13/102
8,443,494 B2 * 5/2013 Sharp A41F 1/002
24/3.12
D704,542 S * 5/2014 Sudell D8/356
D710,741 S * 8/2014 Hirschorn D11/78.1
9,009,922 B2 * 4/2015 Perreault A45F 5/02
24/3.12
9,089,672 B2 * 7/2015 Hendriksen A61M 25/02
D781,571 S * 3/2017 Moerer D3/215
9,603,440 B2 * 3/2017 Nguyen A45F 5/00
2003/0222189 A1 12/2003 Lee
2007/0024805 A1 * 2/2007 Sasaki A42B 1/247
351/47
2009/0069060 A1 * 3/2009 Kim A45F 5/02
455/575.6
2010/0254123 A1 10/2010 Brown
2016/0143425 A1 * 5/2016 Tvrdy A45F 5/02
24/3.12
2017/0208888 A1 * 7/2017 Volmer A42B 1/24

OTHER PUBLICATIONS

Double Barrel Pen Clip—Levenger website oldest review Jan. 1,
2015, <http://www.levenger.com/PENS---REFILLS-8/PEN-CASES---STANDS-92/Double-Barrel-Pen-Clip-6076.aspx#ReviewHeader>, [site visited Sep. 14, 2017 5:26:17 PM].*

* cited by examiner

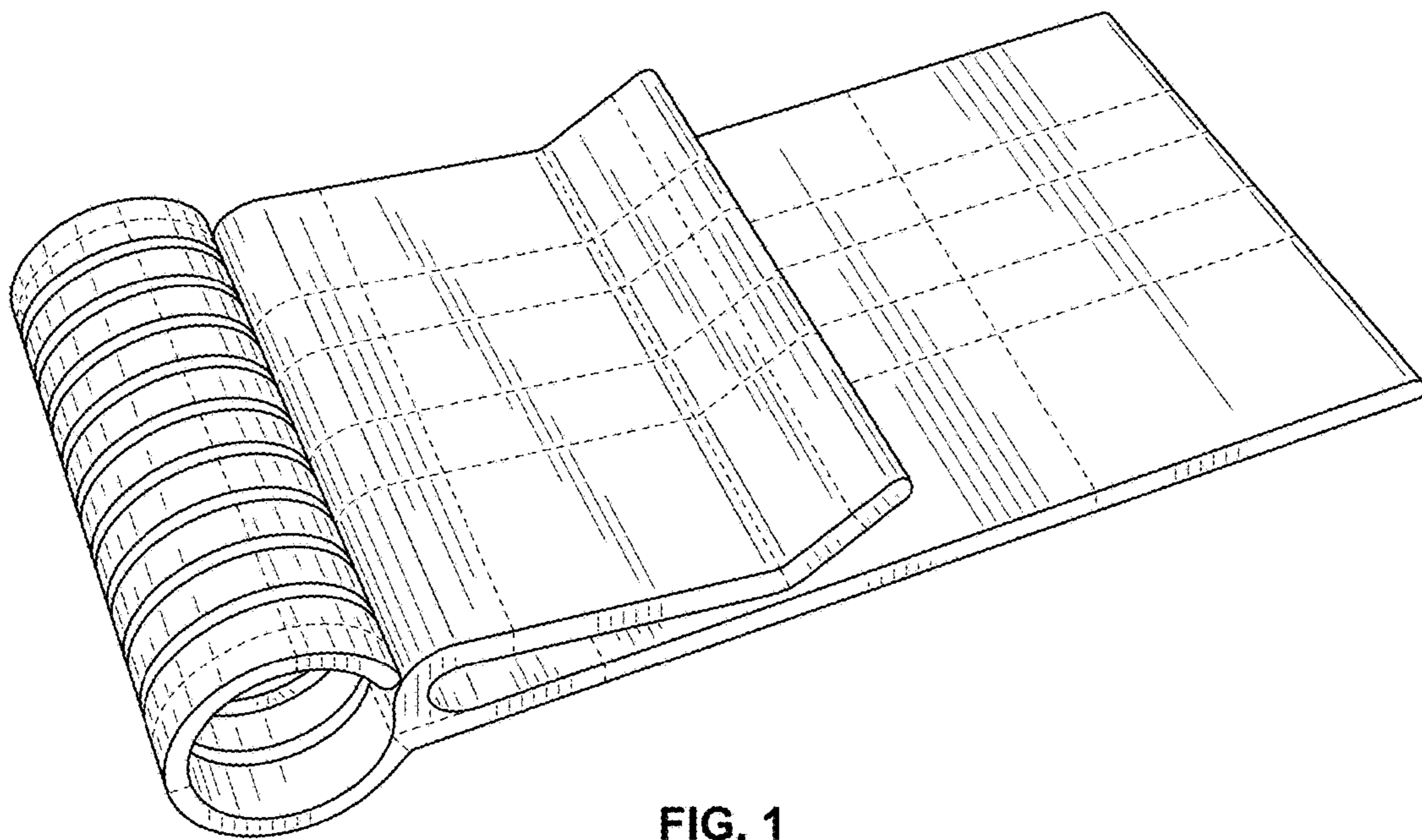


FIG. 1

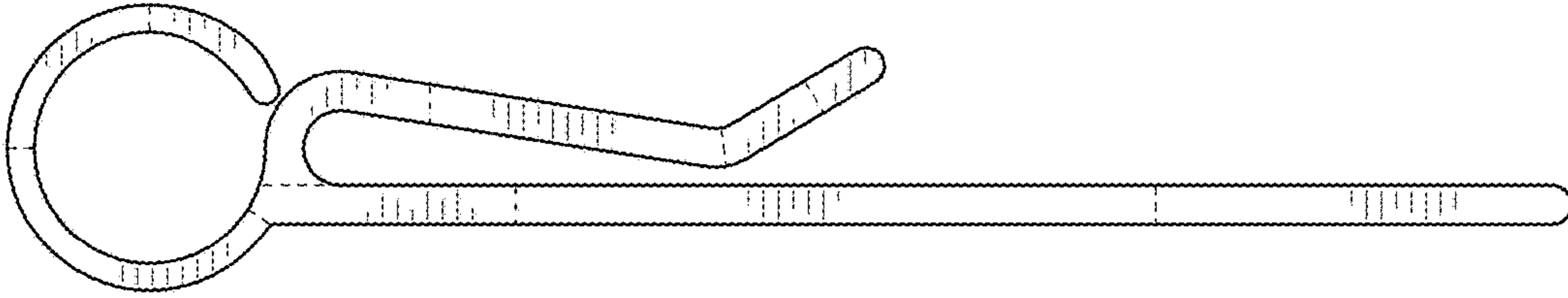


FIG. 2

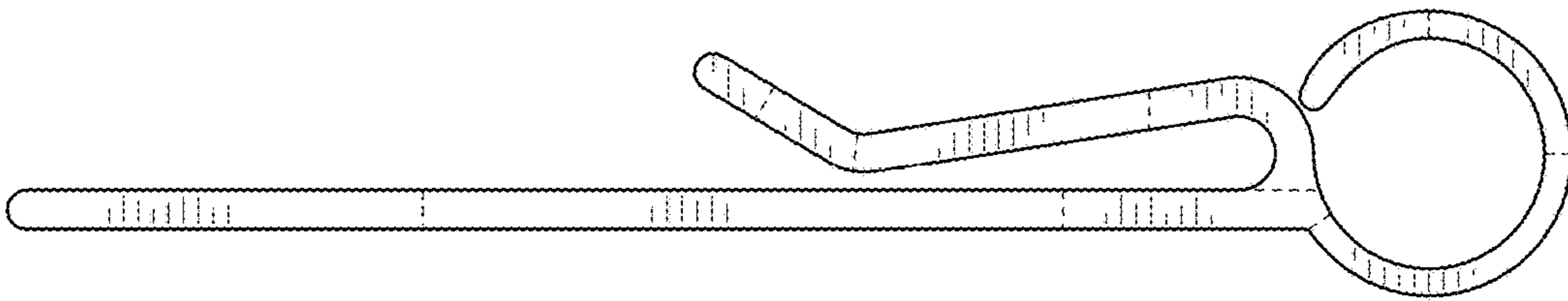


FIG. 3

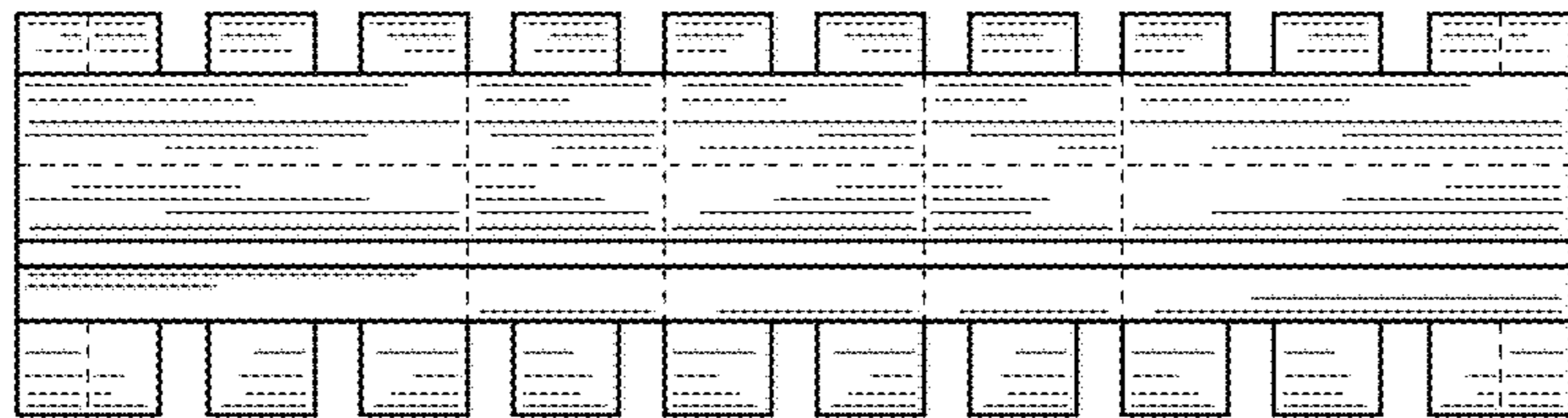


FIG. 4

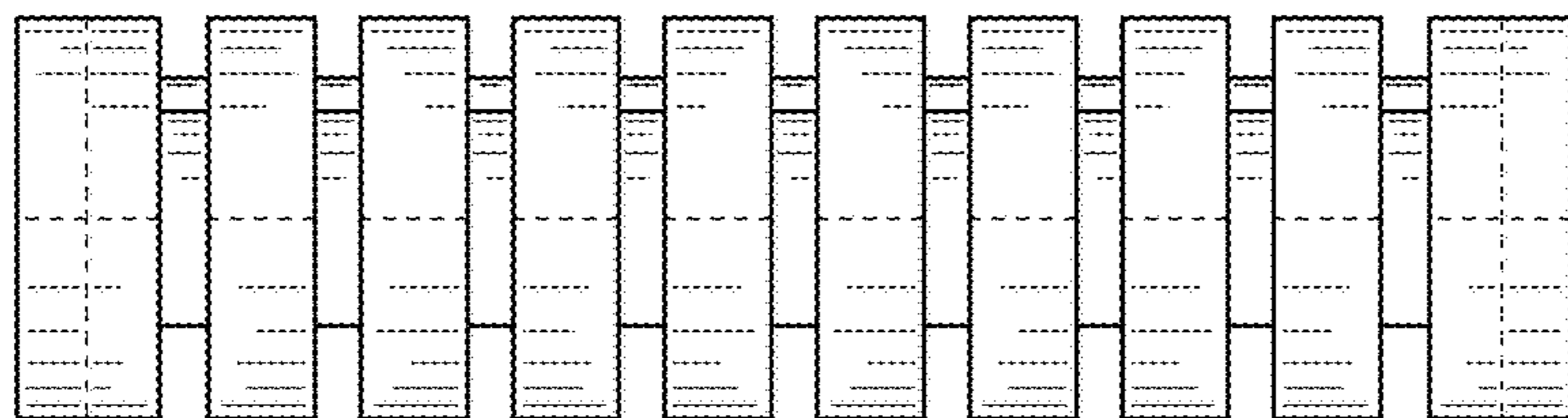


FIG. 5

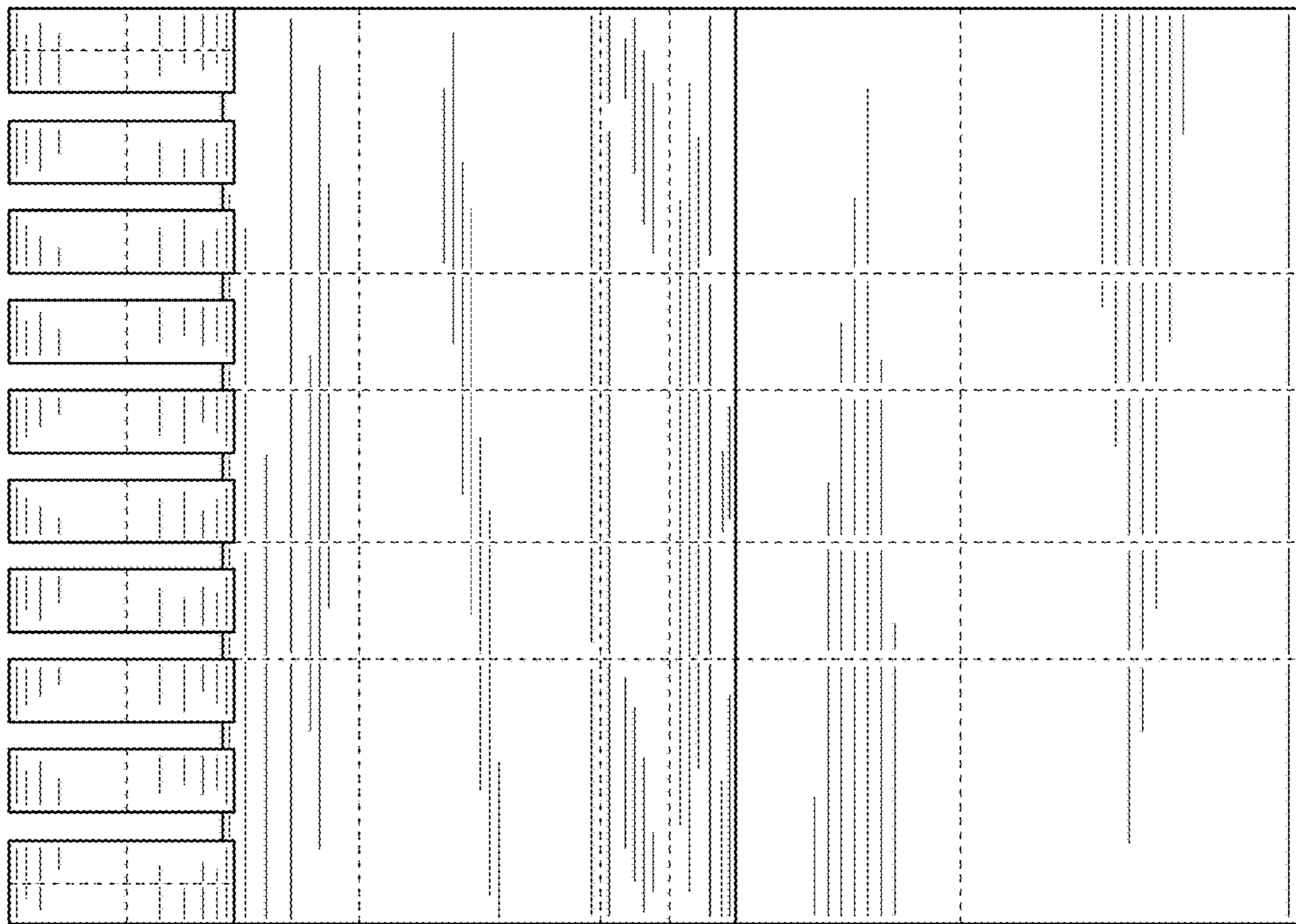


FIG. 6

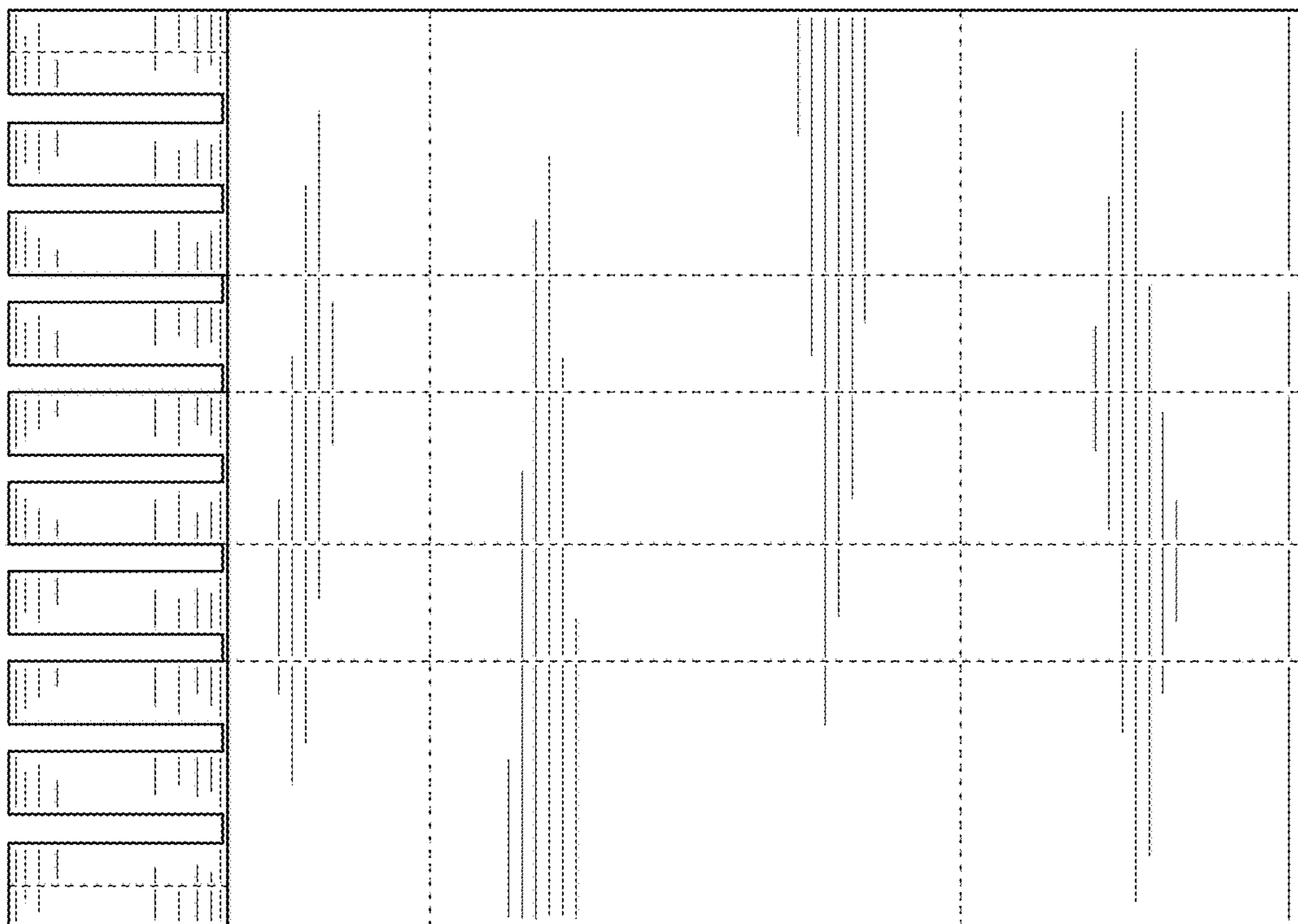


FIG. 7