



US00D822473S

(12) **United States Design Patent**
Ng

(10) **Patent No.:** **US D822,473 S**
(45) **Date of Patent:** **** Jul. 10, 2018**

(54) **COVER FOR ROLLER SHADE CLUTCH**

(71) Applicant: **ZMC Metal Coating Inc.**, Woodbridge (CA)

(72) Inventor: **Philip Ng**, Thornhill (CA)

(73) Assignee: **ZMC Metal Coating Inc.**, Woodbridge (CA)

(**) Term: **15 Years**

(21) Appl. No.: **29/601,382**

(22) Filed: **Apr. 21, 2017**

(30) **Foreign Application Priority Data**

Mar. 10, 2017 (CA) 173526

(51) **LOC (11) Cl.** **08-08**

(52) **U.S. Cl.**
USPC **D8/383; D8/380; D8/580**

(58) **Field of Classification Search**
USPC D8/71, 349, 354, 373, 380, 382, 383, D8/388, 394, 396, 376; D6/328, 702, D6/512, 513, 572, 573, 575, 576, 577, D6/580

CPC ... A47H 1/13; A47H 1/14; A47H 1/18; A47H 3/02; A47H 3/04; A47H 3/06; A47H 3/10; A47H 3/12; A47H 5/02; A47H 5/03; A47H 5/032; A47H 11/02; A47H 11/04; A47H 15/02; A47H 23/08; A47H 23/10; E06B 9/42; E06B 9/44; E06B 9/48
See application file for complete search history.

(56) **References Cited**

U.S. PATENT DOCUMENTS

5,482,105 A * 1/1996 Rude E06B 9/42 160/307
5,507,374 A * 4/1996 Rude E06B 9/56 160/292

6,173,825 B1 * 1/2001 Liu E06B 9/42 160/298
6,739,373 B1 * 5/2004 Liu E06B 9/42 160/321
D630,086 S * 1/2011 Chou D8/356
D694,039 S * 11/2013 Licciardi Di Stefano D6/580
D694,040 S * 11/2013 Di Stefano D6/580
D695,041 S * 12/2013 Licciardi Di Stefano D6/580
D695,042 S * 12/2013 Licciardi Di Stefano D6/580
D699,552 S * 2/2014 Wills D8/380
D710,128 S * 8/2014 Garcia D6/581
9,222,305 B2 * 12/2015 Di Stefano E06B 9/68

(Continued)

Primary Examiner — Sandra S Snapp

Assistant Examiner — Ieisha N Price

(74) *Attorney, Agent, or Firm* — Honigman Miller Schwartz and Cohn LLP

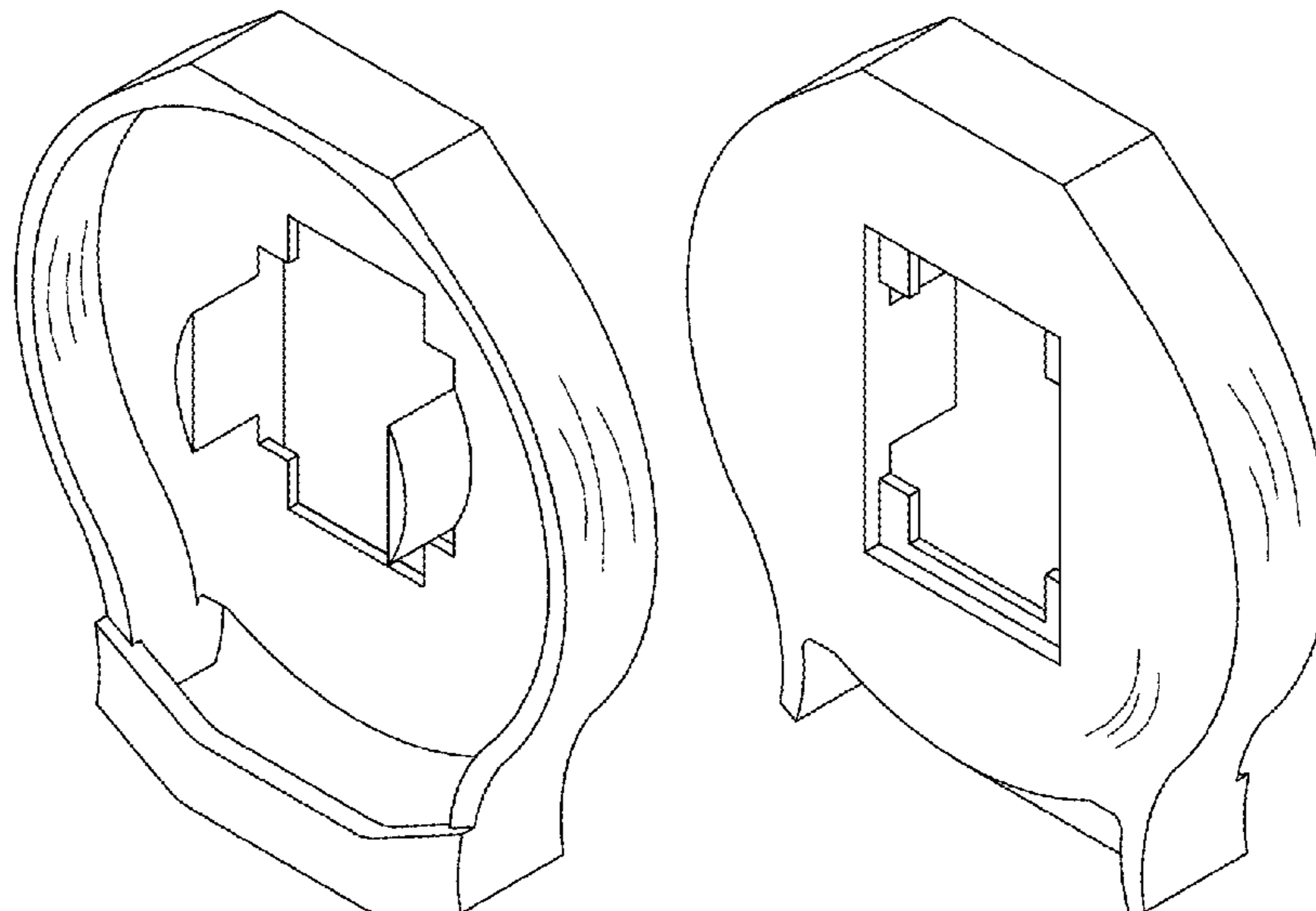
(57) **CLAIM**

The ornamental design for a cover for roller shade clutch, as shown and described.

DESCRIPTION

FIG. 1 is a front right side isometric view of the cover for roller shade clutch;
FIG. 2 is a rear left side isometric view of the cover for roller shade clutch;
FIG. 3 is a front elevational view of the cover for roller shade clutch;
FIG. 4 is a right side elevation view of the cover for roller shade clutch;
FIG. 5 is a left side elevational view of the cover for roller shade clutch;
FIG. 6 is a top view of the cover for roller shade clutch;
FIG. 7 is a bottom view of the cover for roller shade clutch;
FIG. 8 is a rear elevational view of the cover for roller shade clutch; and,
FIG. 9 is a sectional view taken along the line 9-9 of FIG. 8 of the cover for roller shade clutch.

1 Claim, 8 Drawing Sheets



(56)

References Cited

U.S. PATENT DOCUMENTS

D775,939 S * 1/2017 Ng D8/380
D798,133 S * 9/2017 Ng D6/580
D799,312 S * 10/2017 Ng D8/383
9,878,872 B2 * 1/2018 Di Stefano B65H 75/406
2003/0178276 A1 * 9/2003 Fraczek E06B 9/44
192/3.52
2005/0247413 A1 * 11/2005 Nien E06B 9/42
160/321
2007/0056699 A1 * 3/2007 Liu E06B 9/50
160/321
2007/0107857 A1 * 5/2007 Wang E06B 9/42
160/321
2013/0068405 A1 * 3/2013 Lava E06B 9/326
160/321
2013/0269888 A1 * 10/2013 Di Stefano E06B 9/24
160/340
2014/0041815 A1 * 2/2014 Kao E06B 9/44
160/319
2014/0262080 A1 * 9/2014 Mann E06B 9/324
160/313
2014/0360686 A1 * 12/2014 Lin E06B 9/42
160/319
2016/0051074 A1 * 2/2016 Chou E06B 9/24
248/298.1
2017/0226798 A1 * 8/2017 Ng E06B 9/58

* cited by examiner

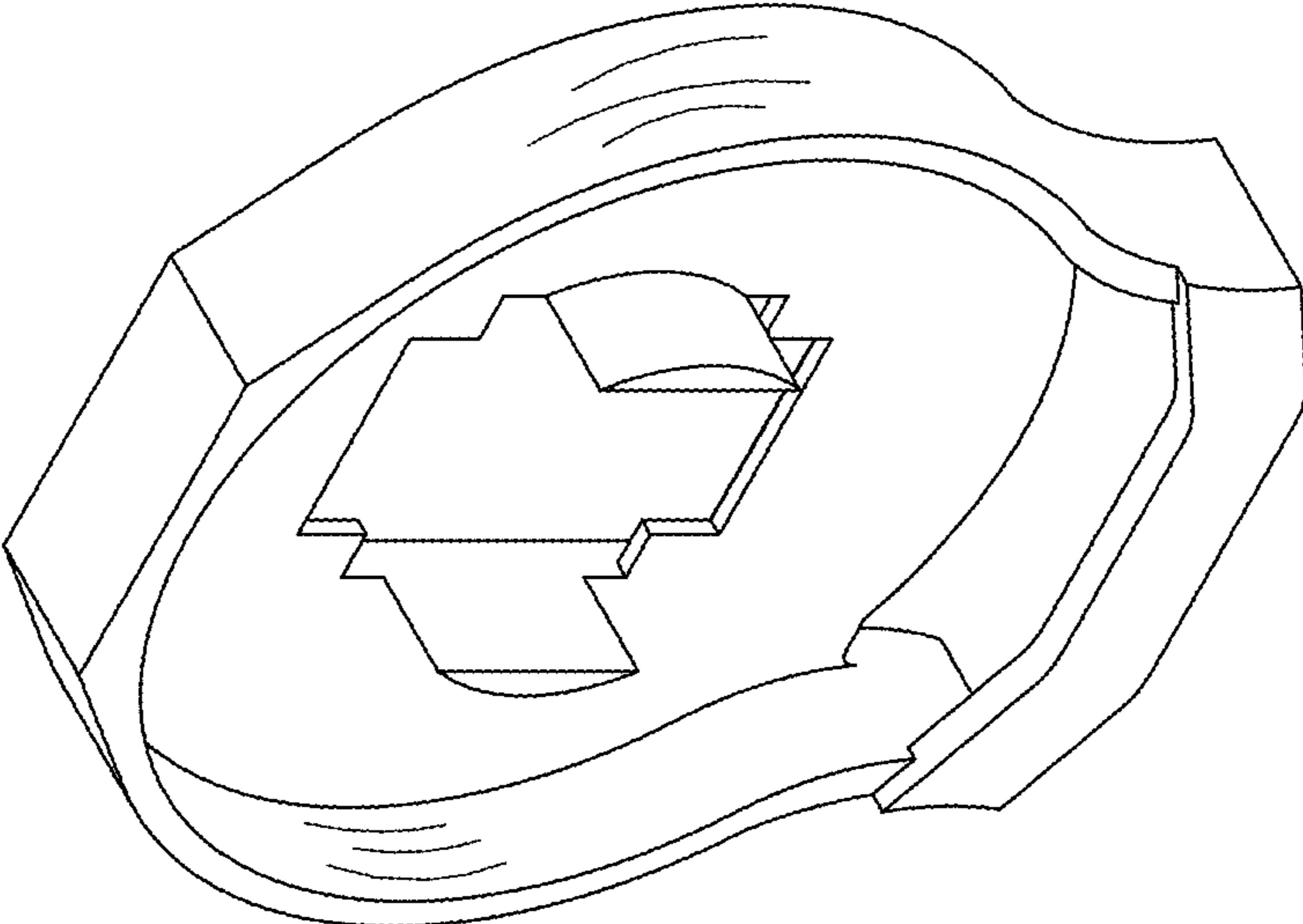


Fig. 1

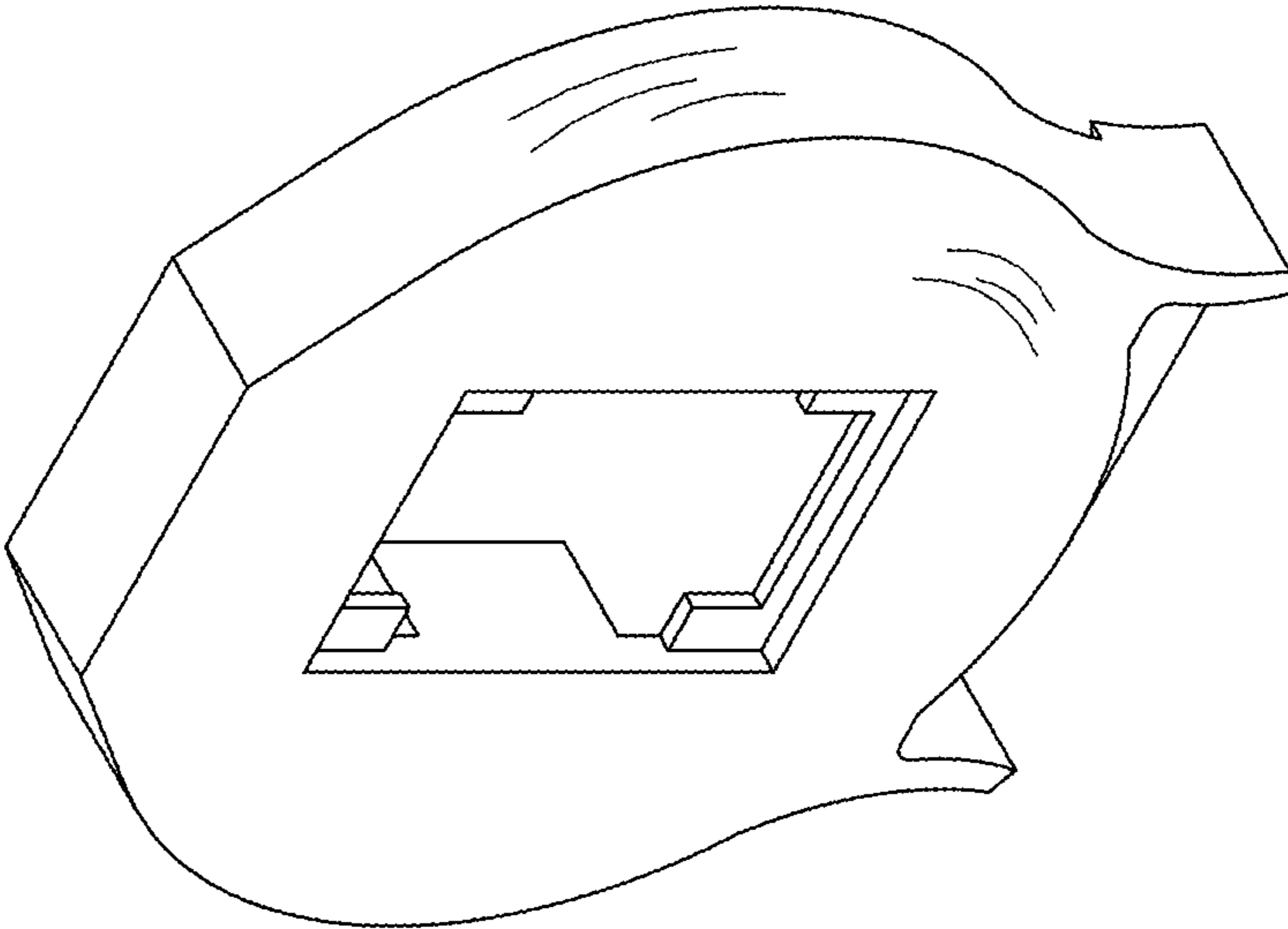


Fig. 2

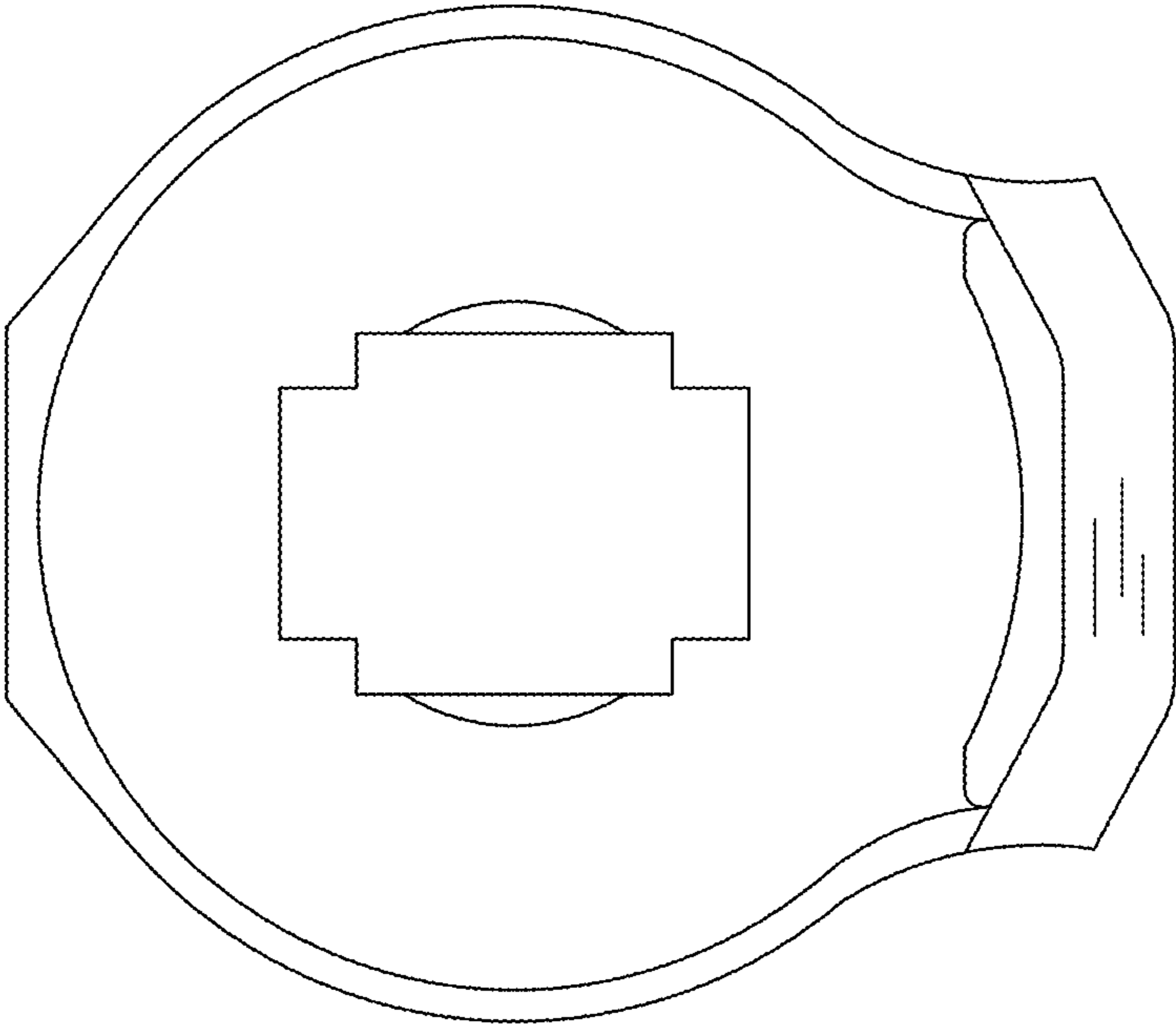


Fig. 3

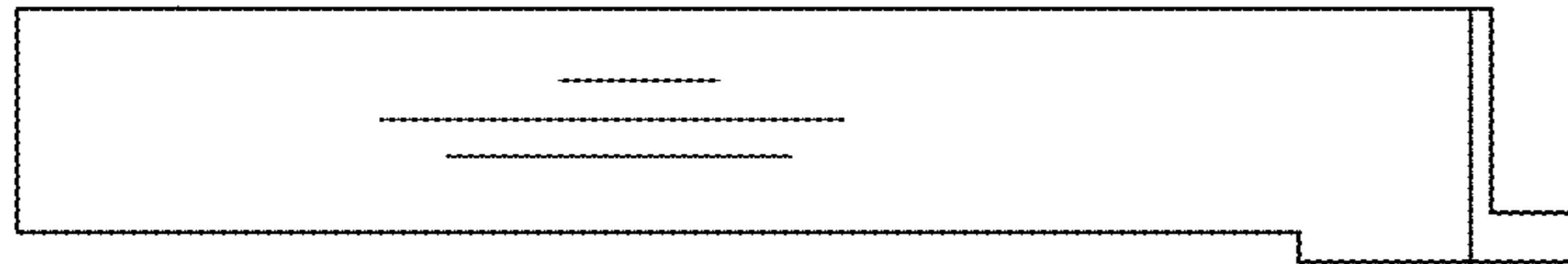


Fig. 4

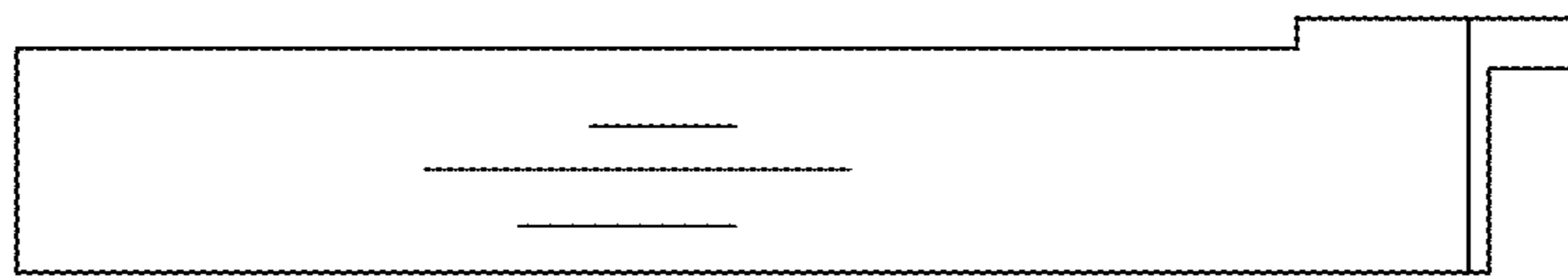


Fig. 5

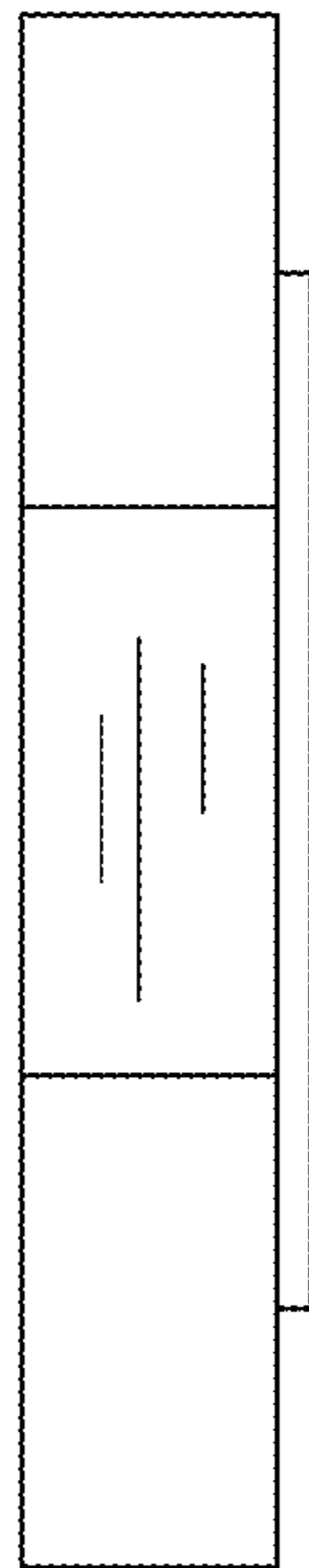


Fig. 6



Fig. 7

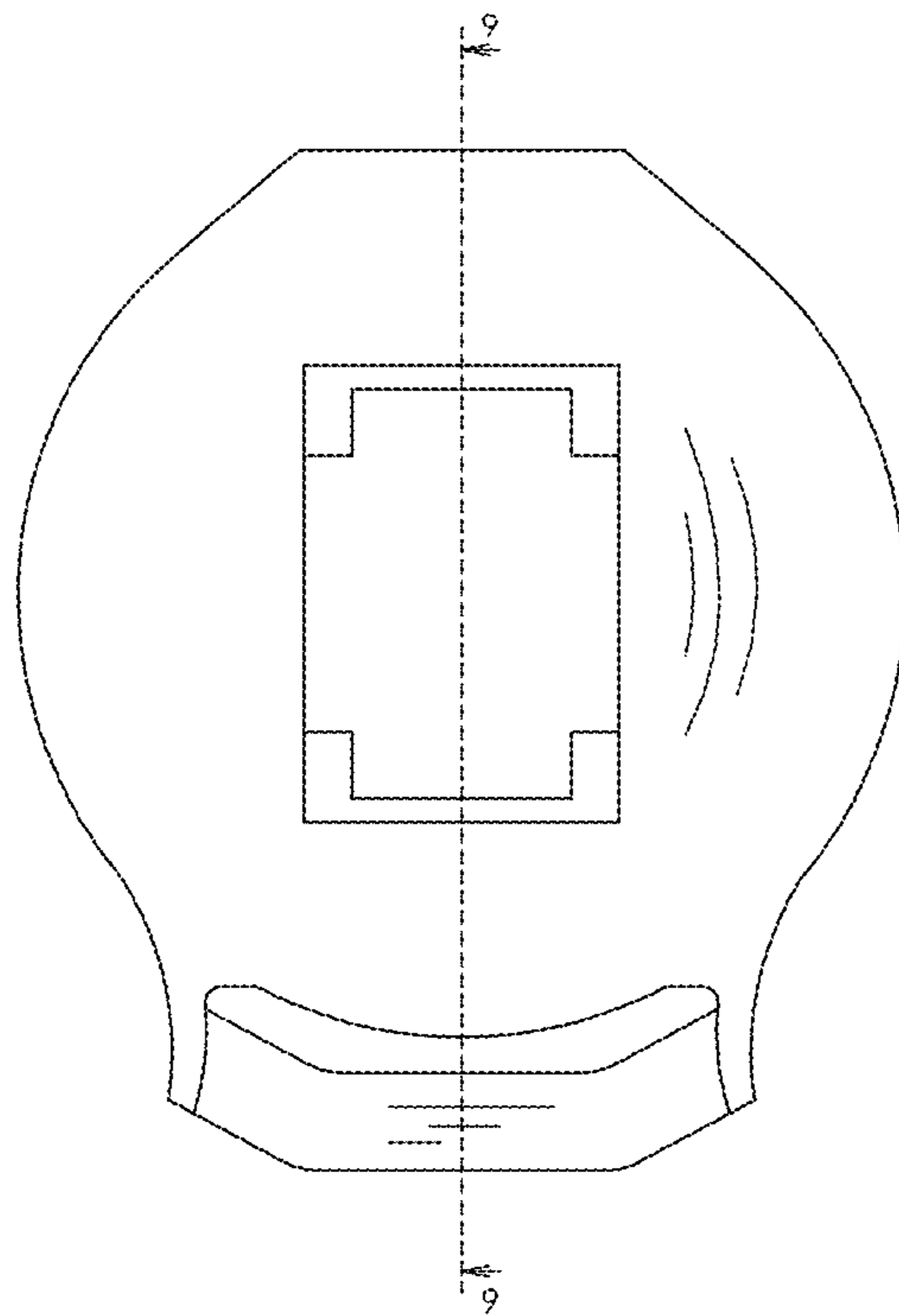


Fig. 8

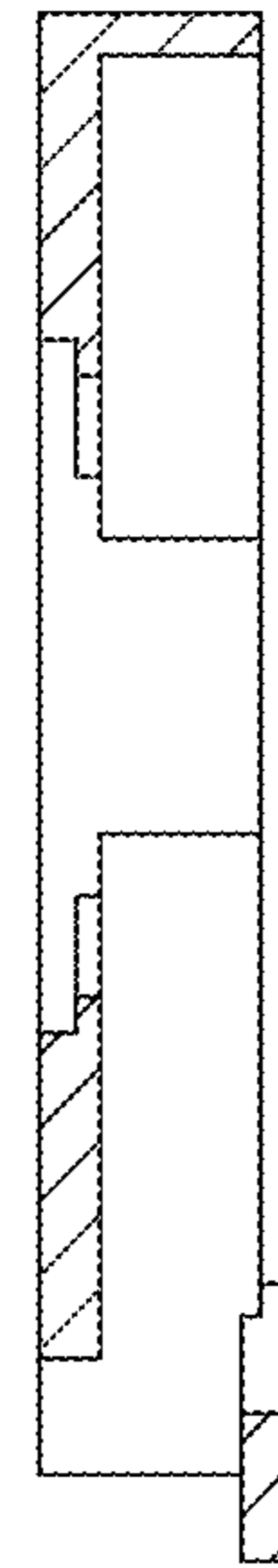


Fig. 9