



US00D822468S

(12) **United States Design Patent** (10) **Patent No.:** **US D822,468 S**
Shoenhair et al. (45) **Date of Patent:** **** Jul. 10, 2018**

(54) **FASHION HOOK**
(71) Applicant: **THE HILLMAN GROUP, INC.**,
Cincinnati, OH (US)
(72) Inventors: **Jordan D. Shoenhair**, Tempe, AZ
(US); **Amy L. Miller-Blase**, Cincinnati,
OH (US); **Hyunchul Kim**, Chicago, IL
(US); **Holly Prouty**, Chicago, IL (US)
(73) Assignee: **THE HILLMAN GROUP, INC.**,
Cincinnati, OH (US)
(**) Term: **15 Years**
(21) Appl. No.: **29/625,157**
(22) Filed: **Nov. 7, 2017**

D312,384 S 11/1990 Hamann
D312,385 S 11/1990 Hamann
D312,959 S 12/1990 Hamann
D325,131 S 4/1992 Fujiwara
D330,289 S 10/1992 Sharpe
D330,636 S 11/1992 Sharpe
D339,058 S 9/1993 Greenhut
D353,492 S 12/1994 Goodman
5,372,346 A 12/1994 Upchurch
D361,930 S 9/1995 Fillipp
D390,014 S 2/1998 Ho
D390,709 S 2/1998 Moore
D393,412 S 4/1998 Bries
D397,256 S 8/1998 Moore
D398,451 S 9/1998 Sharpe
D416,139 S 11/1999 Roth
D417,385 S 12/1999 Bries
D426,390 S 6/2000 Green
D428,802 S 8/2000 Villano
D431,451 S 10/2000 Kuo
D432,316 S 10/2000 Duggan
D435,971 S 1/2001 Solowiej
D435,972 S 1/2001 Moore

Related U.S. Application Data

(62) Division of application No. 29/576,440, filed on Sep.
2, 2016, now Pat. No. Des. 805,373.
(51) **LOC (11) Cl.** **08-05**
(52) **U.S. Cl.**
USPC **D8/367**
(58) **Field of Classification Search**
USPC D8/367, 354, 349; D6/323
CPC F16L 3/13; F16L 3/26; A47G 23/0225;
A47G 25/06; A47G 1/16; A47F 5/0846;
A47F 5/02; H02G 11/003; D06F 55/00;
E04H 17/10
See application file for complete search history.

Primary Examiner — Cynthia R Underwood
(74) *Attorney, Agent, or Firm* — Thompson Hine L.L.P.

(57) **CLAIM**
The ornamental design for a fashion hook, as shown and
described.

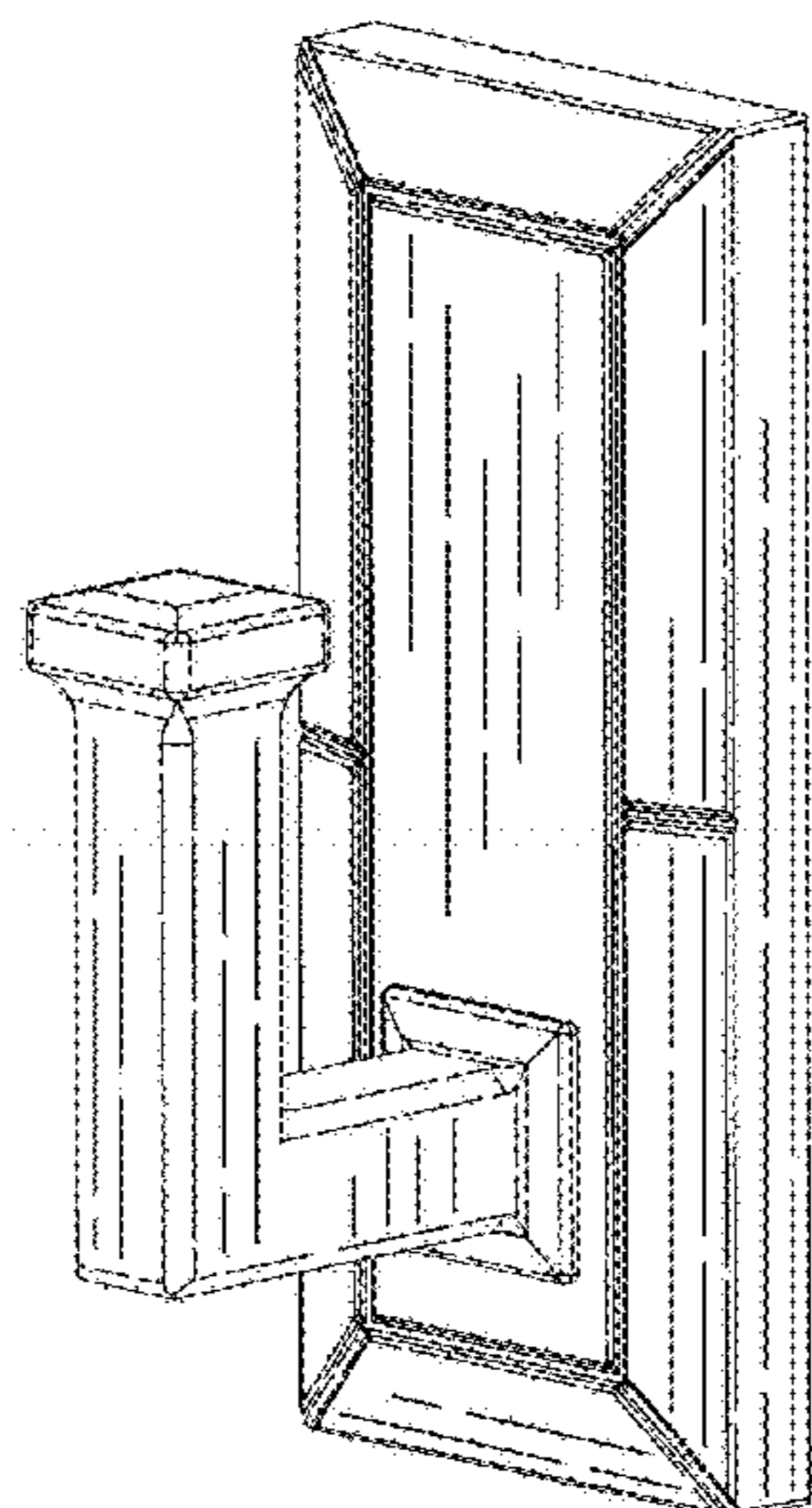
DESCRIPTION

FIG. 1 is a perspective view of a fashion hook showing our
new design;
FIG. 2 is front elevation thereof;
FIG. 3 is a top view thereof;
FIG. 4 is a bottom view thereof;
FIG. 5 is one side view thereof; and,
FIG. 6 is another side view thereof.
The rear portion of the fashion hook is not visible during
ordinary use and forms no part of the claimed design.

(56) **References Cited**
U.S. PATENT DOCUMENTS

D241,206 S 8/1976 Halsted
D289,139 S 4/1987 Chasen
D289,255 S 4/1987 Chasen
D307,539 S 5/1990 Goodman

1 Claim, 3 Drawing Sheets



(56)

References Cited

U.S. PATENT DOCUMENTS

D436,452 S	1/2001	Gastelum	D627,995 S	11/2010	Osterle	
D438,715 S	3/2001	Milrud	D630,027 S	1/2011	Romero	
D442,056 S	5/2001	Duggan	D632,951 S	2/2011	McGreevy	
D453,271 S	2/2002	Gilbert	D641,228 S	7/2011	Qiblawi	
D456,150 S	4/2002	Moore	D641,229 S	7/2011	Qiblawi	
D462,844 S	9/2002	Chou	7,972,100 B2	7/2011	Horvath	
D465,096 S	11/2002	Ouyoung	8,002,225 B1	8/2011	Malone	
D465,340 S	11/2002	Hoernig	8,113,476 B2 *	2/2012	Serio	A47G 1/20 248/206.5
D465,661 S	11/2002	Hoernig	D665,653 S	8/2012	Thompson	
D472,060 S	3/2003	Hoernig	D668,935 S	10/2012	Yoo	
D477,150 S	7/2003	Hoernig	D670,997 S	11/2012	Thompson	
D478,731 S	8/2003	Hoernig	D672,974 S	12/2012	Krumpe	
D480,292 S	10/2003	Johansson	D678,041 S	3/2013	Pan	
D485,156 S	1/2004	Moore	D680,804 S	4/2013	Gilboe	
D494,452 S	8/2004	Sheldon	D682,663 S *	5/2013	Evon	D8/367
D496,258 S	9/2004	Fields	D692,244 S	10/2013	Romero	
D500,602 S	1/2005	Solowiej	D697,387 S	1/2014	Starck	
D505,545 S	5/2005	Kay	D697,388 S	1/2014	Pan	
D526,132 S	8/2006	Solowiej	D697,389 S	1/2014	Pan	
D526,493 S	8/2006	Fields	D712,725 S *	9/2014	Wu	D8/367
D526,494 S	8/2006	Fields	D715,133 S	10/2014	Pan	
D532,982 S	12/2006	Chang	D715,625 S	10/2014	Pan	
D535,110 S	1/2007	Hoernig	D715,626 S	10/2014	Pan	
D542,038 S	5/2007	Tau	D720,937 S	1/2015	Fritz	
D543,709 S	6/2007	Krumpe	D734,133 S	7/2015	Spindler	
D543,837 S	6/2007	Newbould	D746,664 S	1/2016	Najieb	
D548,983 S	8/2007	Krumpe	D750,390 S	3/2016	Bahler	
D554,481 S	11/2007	Newbould	D751,371 S	3/2016	Pan	
D554,482 S	11/2007	Hager	D751,372 S	3/2016	Thompson	
D558,034 S	12/2007	Ernst	D756,205 S	5/2016	New	
D563,109 S	3/2008	Krumpe	D756,755 S	5/2016	Kuehn	
D565,939 S	4/2008	Newbould	D756,756 S	5/2016	Kuehn	
D568,621 S	5/2008	Krumpe	D759,469 S	6/2016	Garland	
D570,613 S	6/2008	Ricereto	D760,068 S	6/2016	Sehl	
D573,357 S	7/2008	Bickler	D762,108 S	7/2016	Knight	
D578,779 S	10/2008	Lee	D764,901 S	8/2016	Esparza	
D579,322 S	10/2008	Newbould	D769,004 S	10/2016	Bahler	
D580,186 S	11/2008	Krumpe	D781,683 S	3/2017	Yi	
D583,653 S	12/2008	Thompson	D794,430 S *	8/2017	Brandenburg	D8/367
D591,143 S	4/2009	Ernst	D799,944 S *	12/2017	Shoenhair	D8/367
D603,688 S	11/2009	Chiu	D805,374 S *	12/2017	Shoenhair	D8/367
D607,650 S	1/2010	Krumpe	D811,862 S *	3/2018	Berger	D8/367
D608,100 S	1/2010	Yoo	D812,453 S *	3/2018	Berger	D8/367
D609,995 S	2/2010	Hager	2006/0022105 A1	2/2006	MacKay	
7,789,248 B1	9/2010	Salerno	2018/0010261 A1 *	1/2018	Uemura	H05K 3/241

* cited by examiner

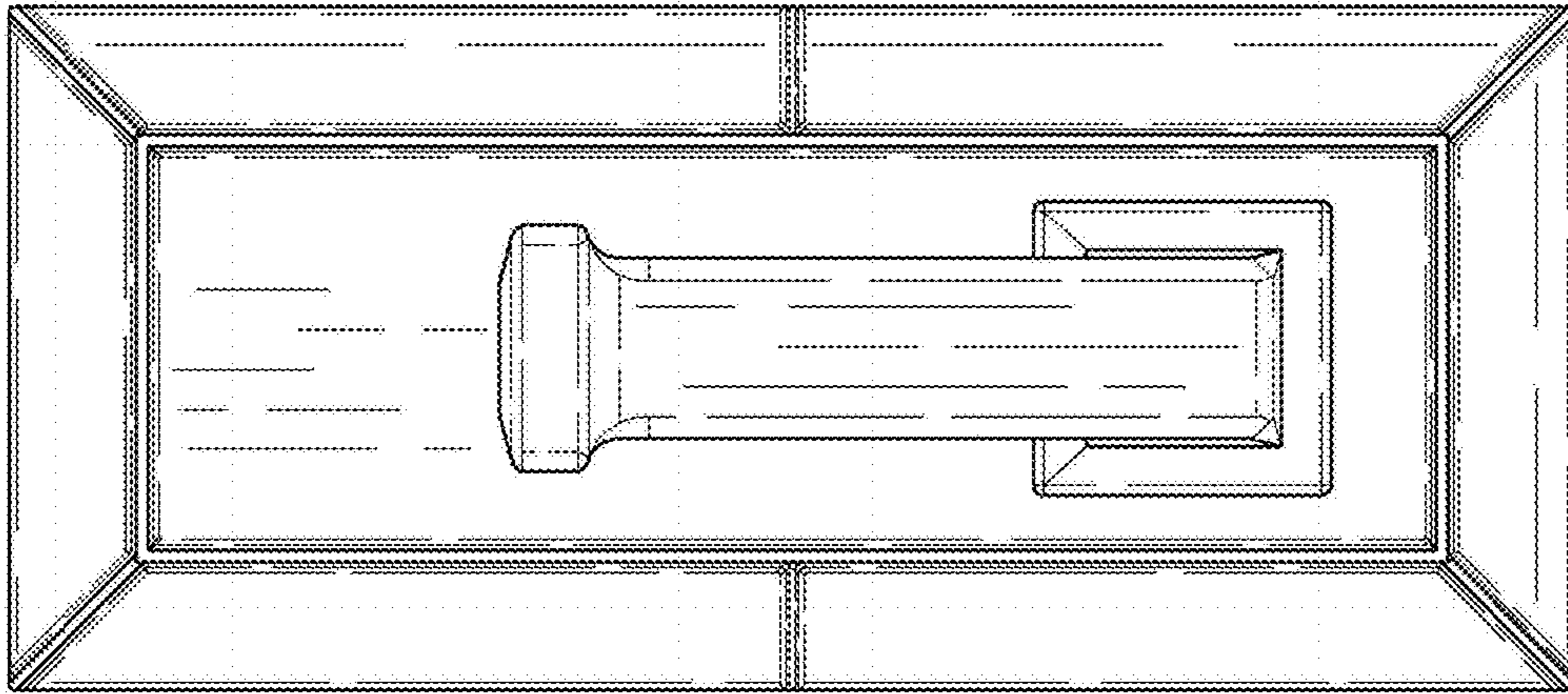


Fig. 2

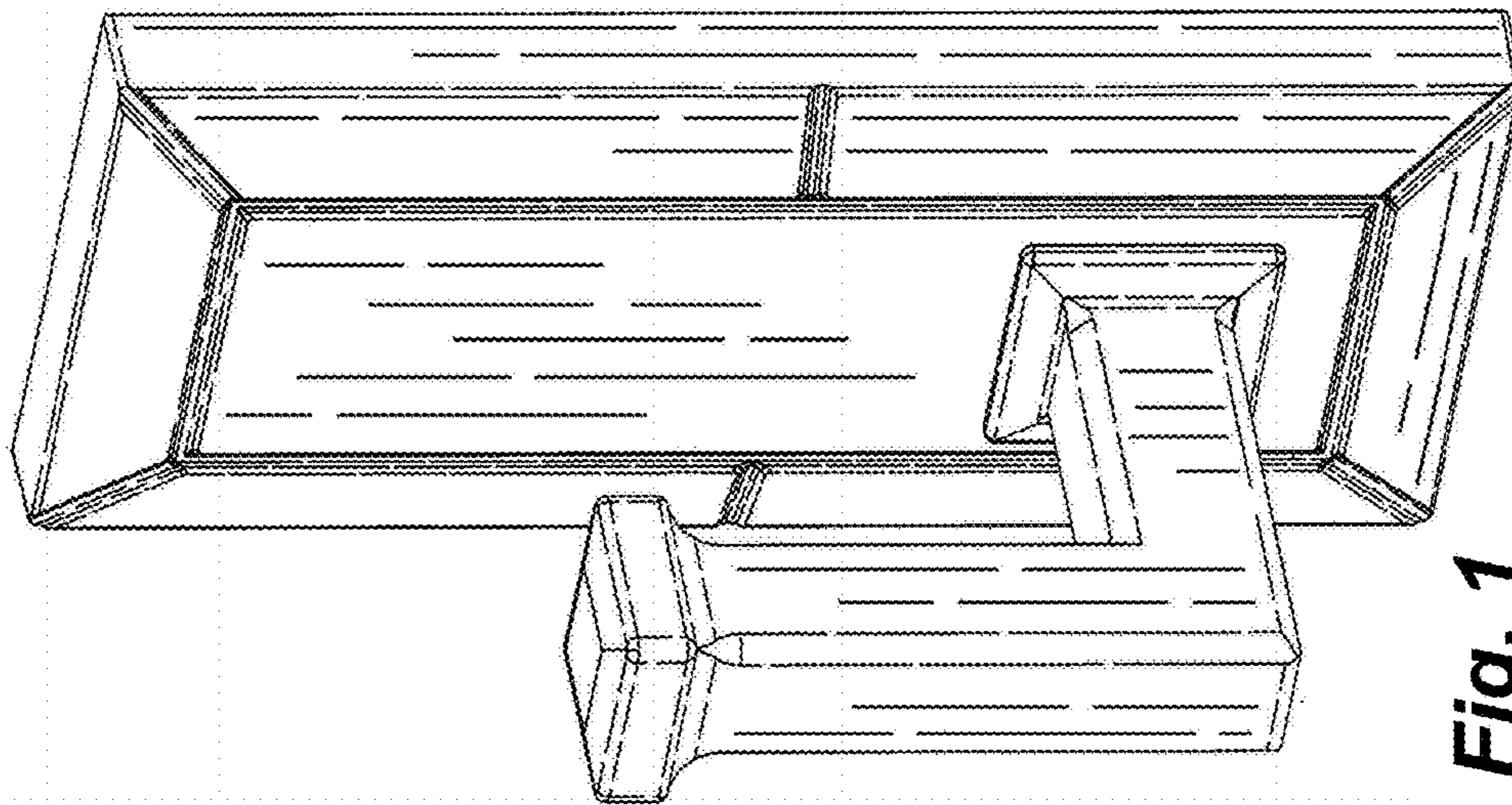


Fig. 1

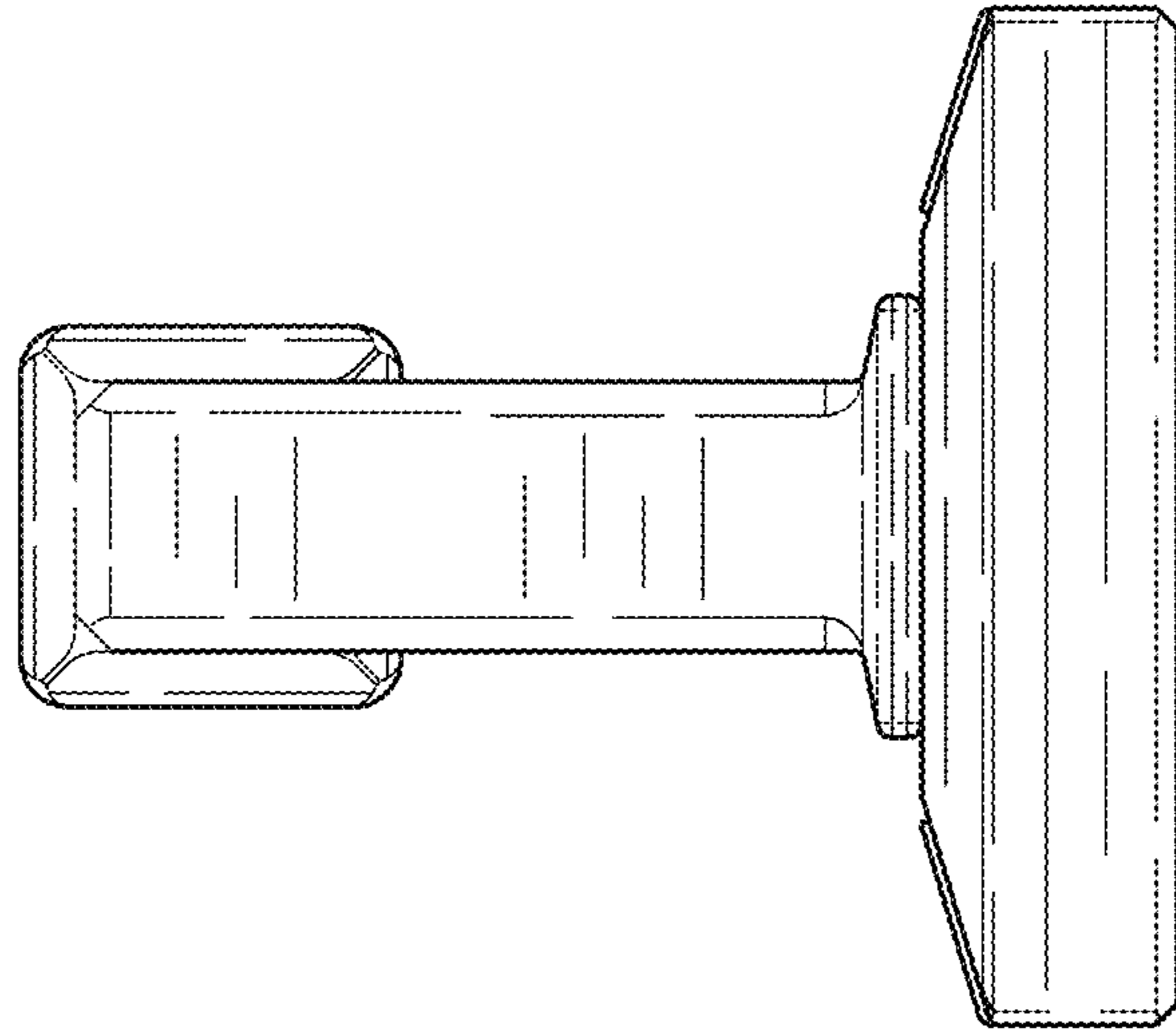


Fig. 4

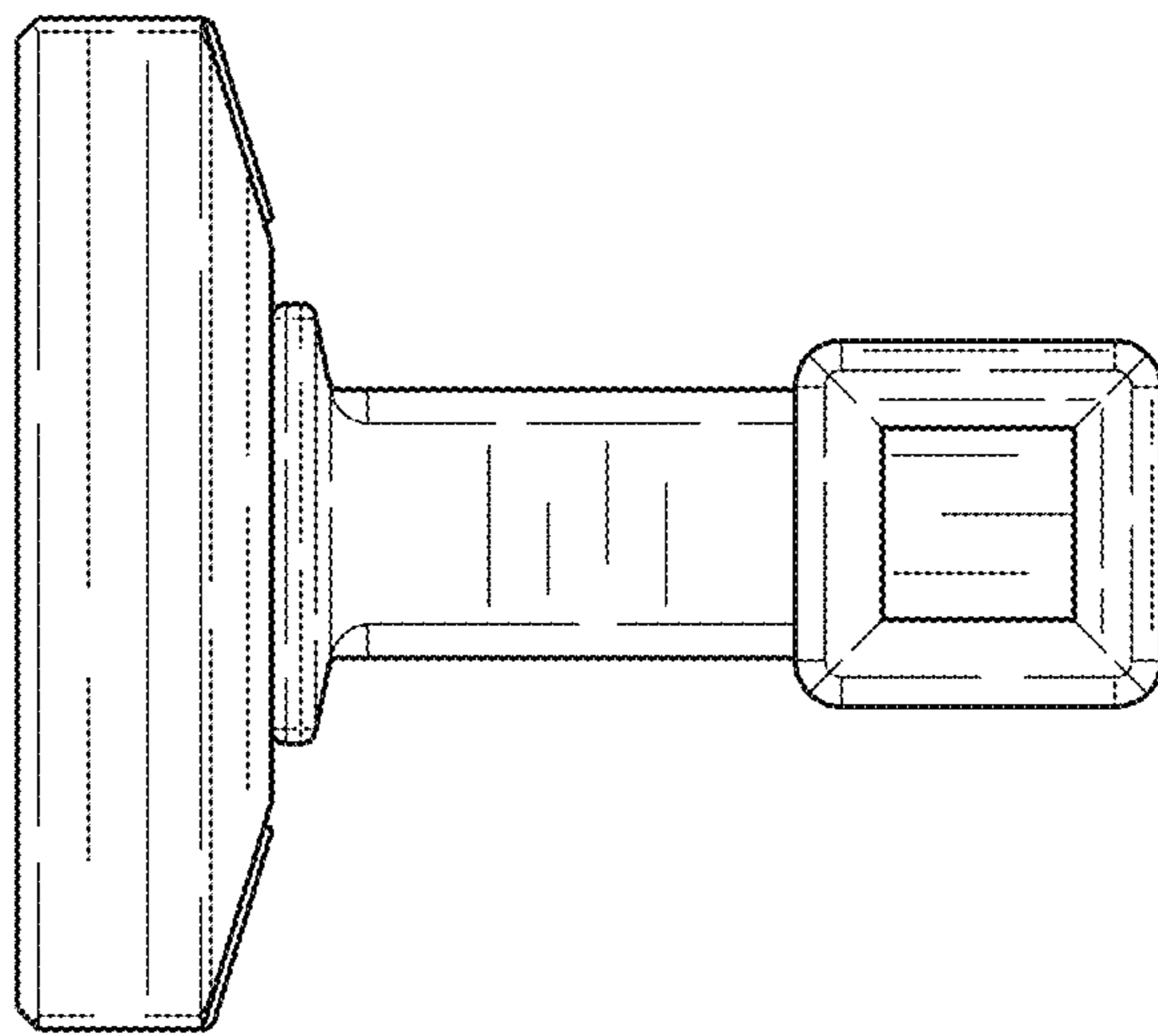


Fig. 3

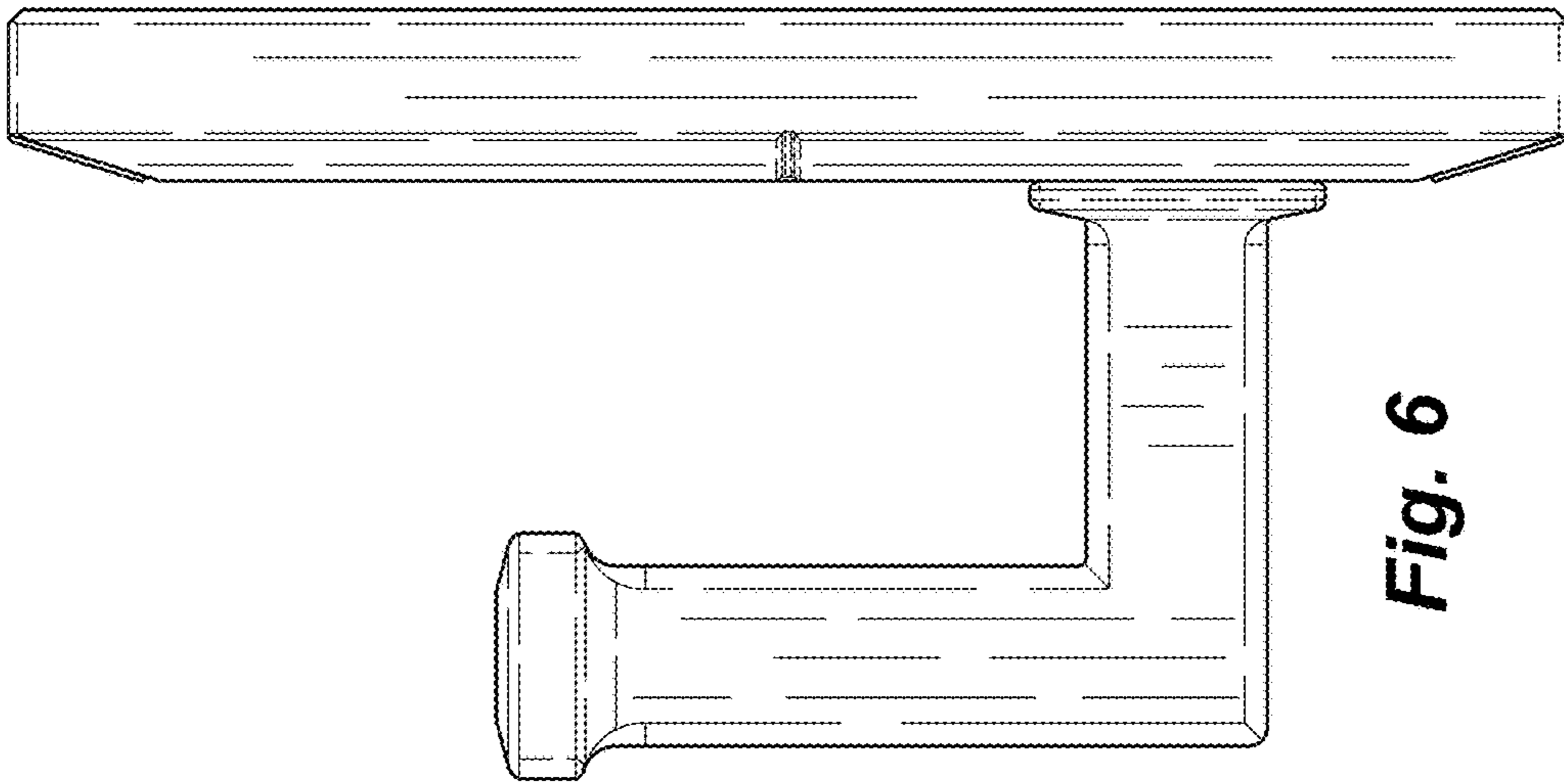


Fig. 6

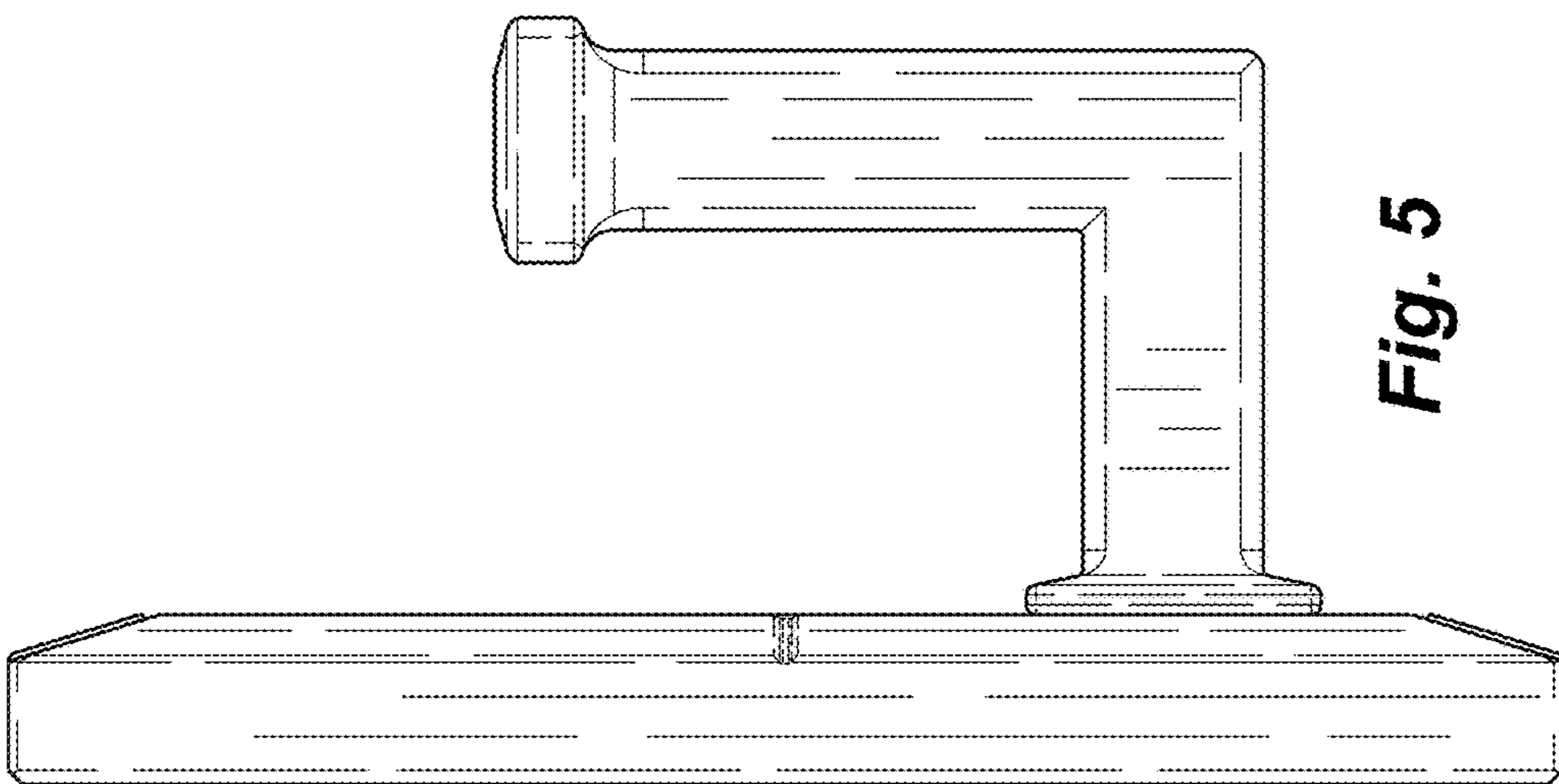


Fig. 5