



US00D822465S

(12) **United States Design Patent** (10) **Patent No.:** **US D822,465 S**
Shargani (45) **Date of Patent:** **** Jul. 10, 2018**

(54) **CABLE EYELET**

- (71) Applicant: **Afshin Shargani**, Los Angeles, CA (US)
- (72) Inventor: **Afshin Shargani**, Los Angeles, CA (US)
- (73) Assignee: **Infinity Canopy, Inc.**, Los Angeles, CA (US)
- (**) Term: **15 Years**
- (21) Appl. No.: **29/603,577**
- (22) Filed: **May 10, 2017**
- (51) **LOC (11) Cl.** **08-05**
- (52) **U.S. Cl.**
USPC **D8/367**
- (58) **Field of Classification Search**
USPC D8/367, 354, 349, 356
CPC ... E06B 9/262; E06B 2009/2625; A01G 9/22;
E04F 10/02; E04H 15/04
See application file for complete search history.

(56) **References Cited**

U.S. PATENT DOCUMENTS

7,845,467	B2 *	12/2010	Petzl	A62B 1/14 182/193
D700,043	S *	2/2014	Paik	D8/367
9,255,441	B2	2/2016	Shargani		
D764,262	S	8/2016	Shargani		
9,470,012	B2	10/2016	Shargani		
D770,643	S	11/2016	Shargani		
D778,144	S *	2/2017	Anderson	D8/367
D790,327	S *	6/2017	Renforth	D8/356
2016/0281766	A1 *	9/2016	Moine	A62B 35/0037
2017/0037635	A1	2/2017	Shargani		

OTHER PUBLICATIONS

- http://www.corradiusa.com/index.php?option=com_k2&view=itemlist&layout=category&task=category&id=10 Aug. 5, 2015.
- <http://www.retractableawnings.com/patio-cover-awnings.html> Aug. 5, 2015.
- <http://www.cableshade.com/11-reasons-why-the-cable-shade-canopy-is-superior.html> Aug. 5, 2015.
- <http://www.shadefxcanopies.com/choosing-a-retractable-awning-track-systems/> Aug. 5, 2015.
- <http://www.superiorawning.com/slide-wire-cable-awnings/> Aug. 5, 2015.
- Picture of custom made shade Before Jul. 30, 2014.
- Cited Art in Shargani Patents, May 7, 2017.

* cited by examiner

Primary Examiner — Cynthia R Underwood
(74) *Attorney, Agent, or Firm* — Payam Moradian

(57) **CLAIM**

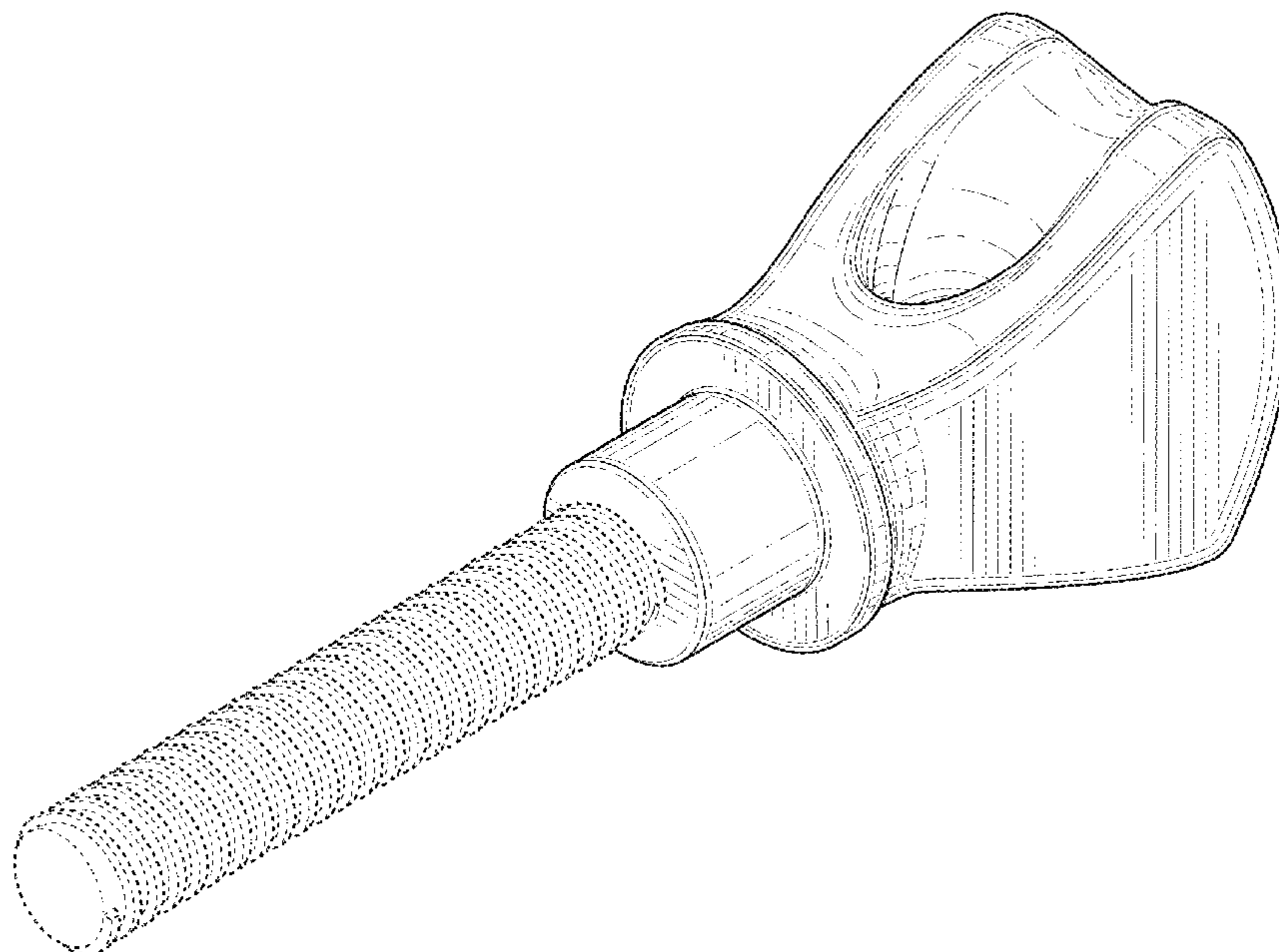
I claim the ornamental design for a cable eyelet, as shown and described.

DESCRIPTION

FIG. 1 is a perspective view of a cable eyelet; FIG. 2 is a left side elevation view thereof; FIG. 3 is a right side elevation view thereof; FIG. 4 is a front side elevation view thereof; FIG. 5 is a rear side elevation view thereof; FIG. 6 is a bottom plan view thereof; and, FIG. 7 is a top plan view thereof.

The broken line showing of the rod is for the purpose of illustrating an environment of use of the cable eyelet.

1 Claim, 6 Drawing Sheets



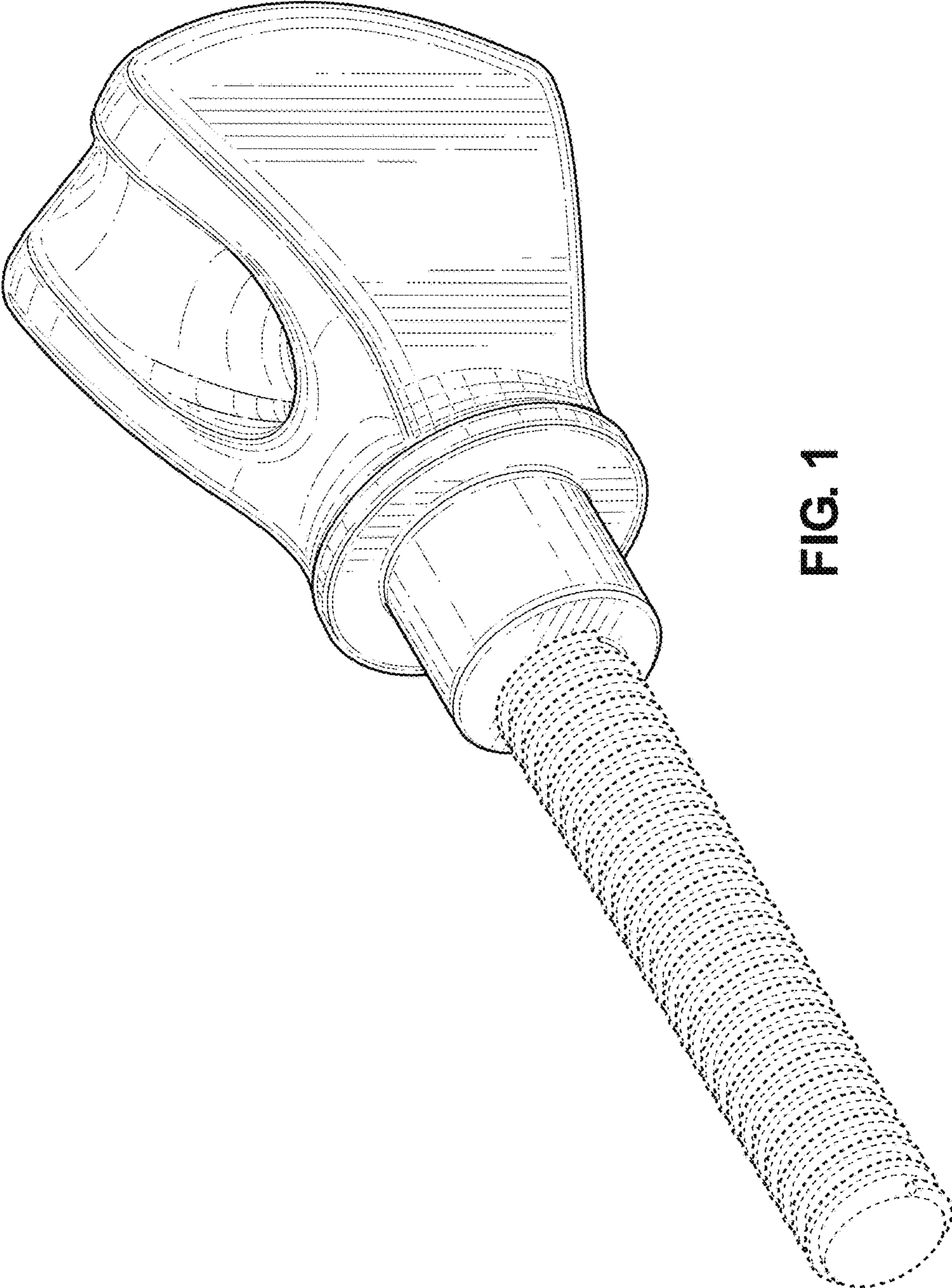


FIG. 1

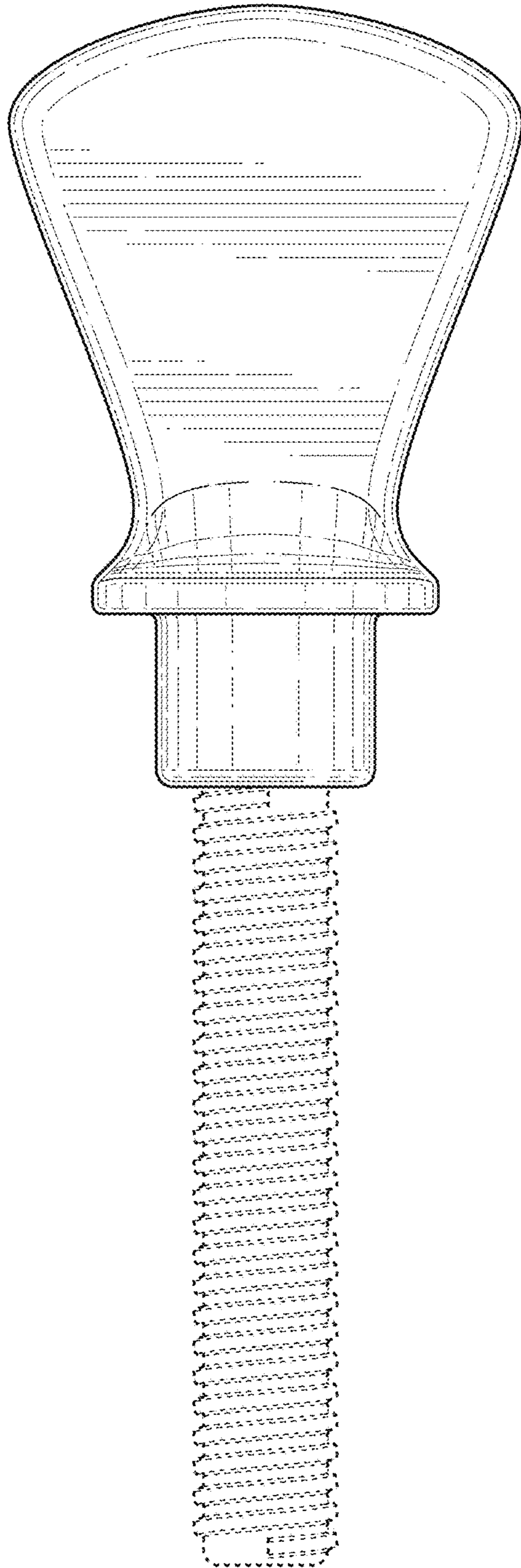


FIG. 2

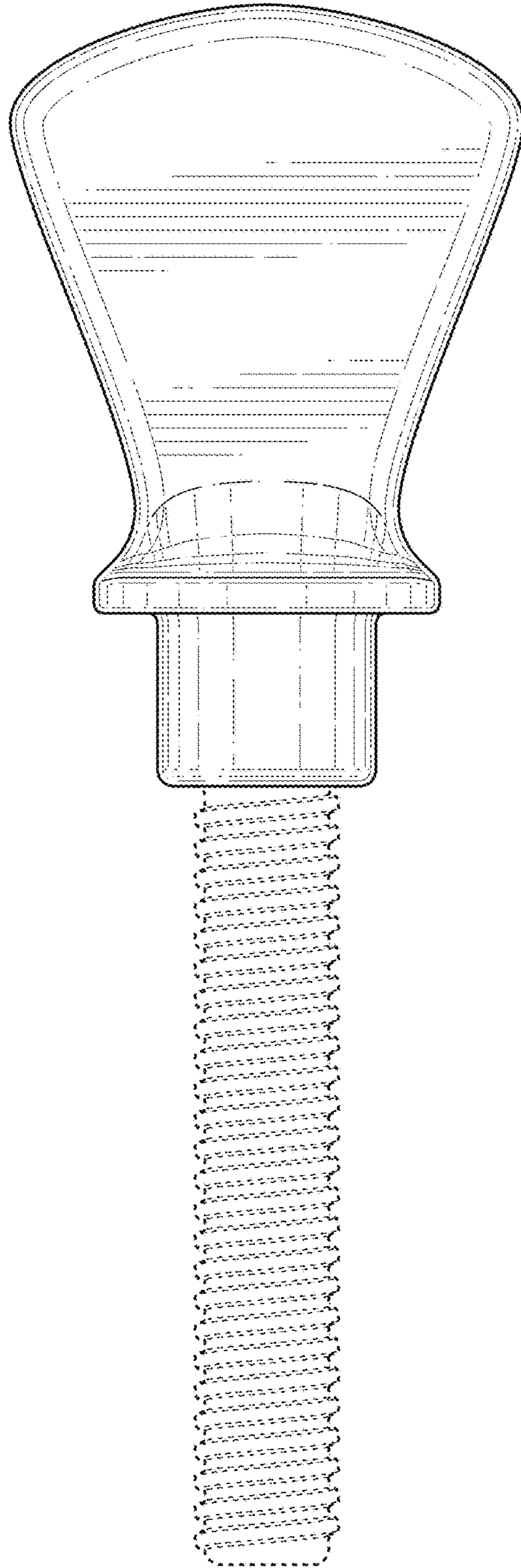


FIG. 3

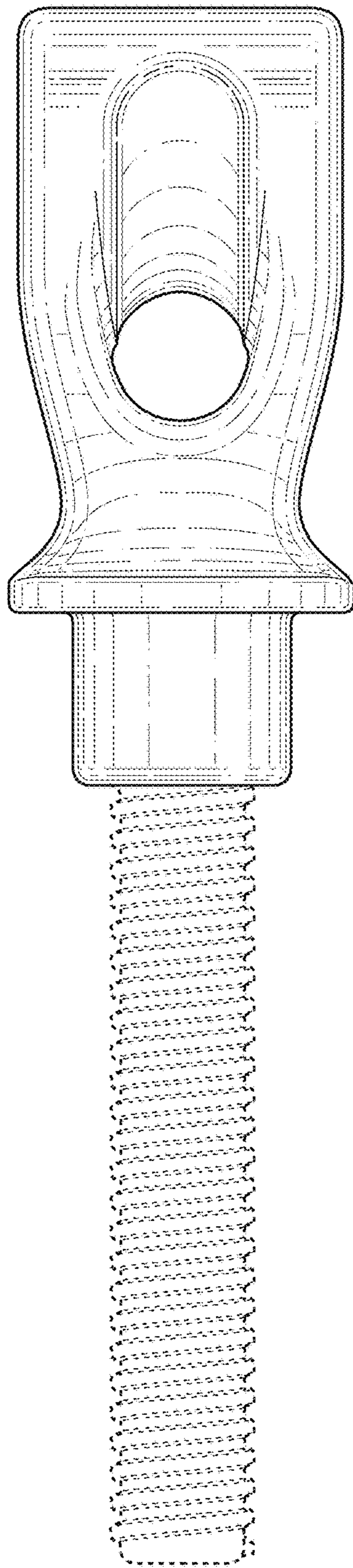


FIG. 4

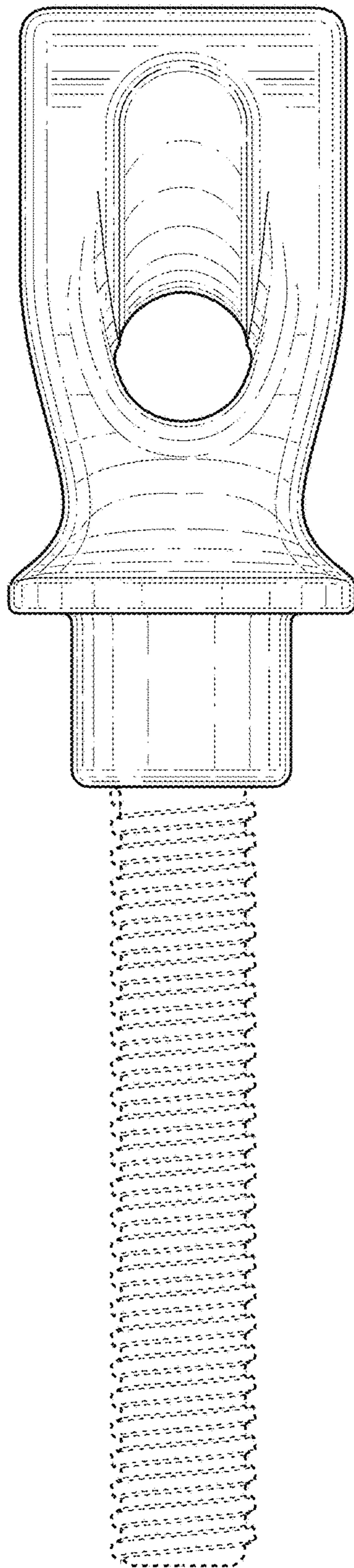


FIG. 5

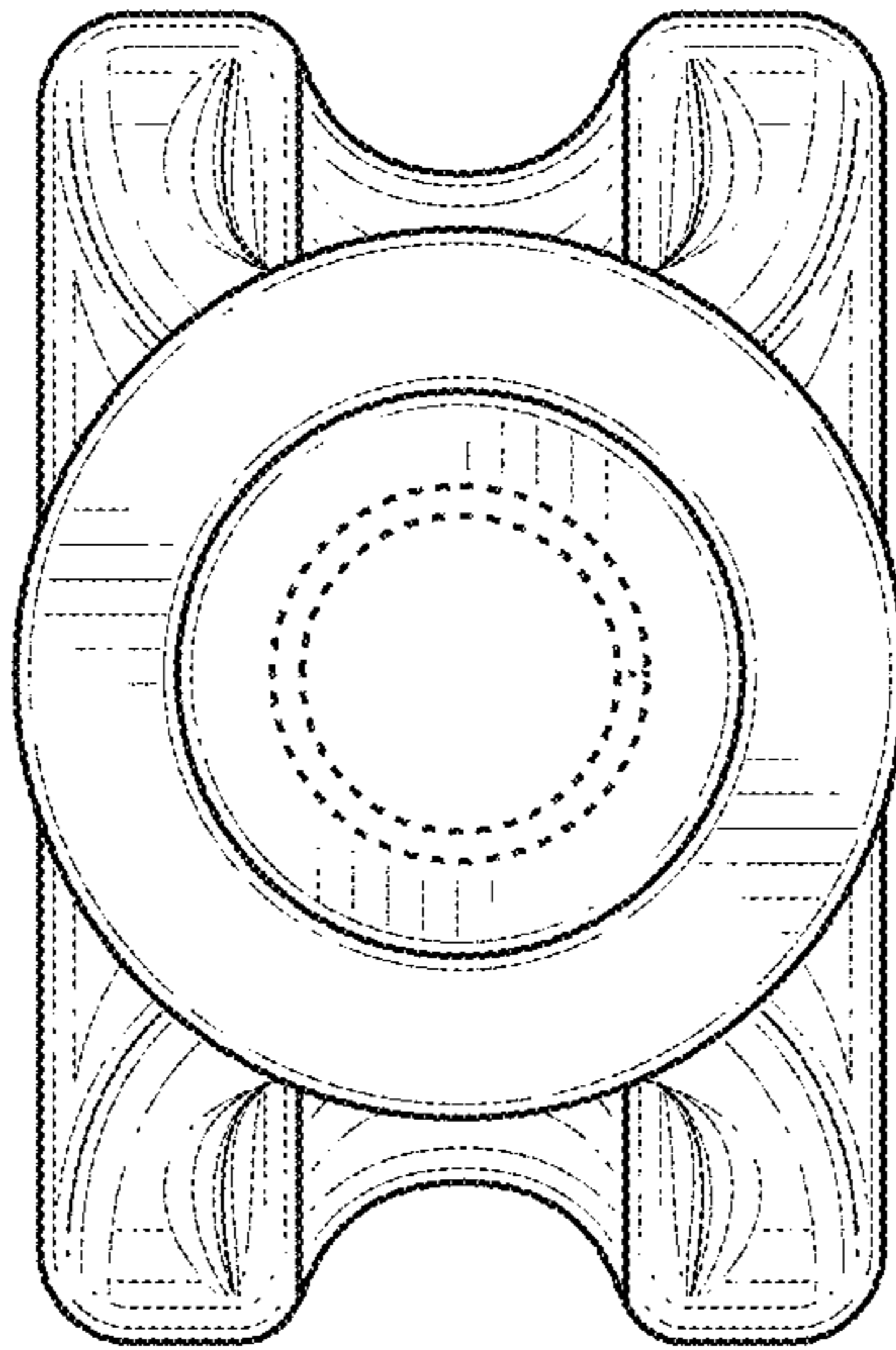


FIG. 6

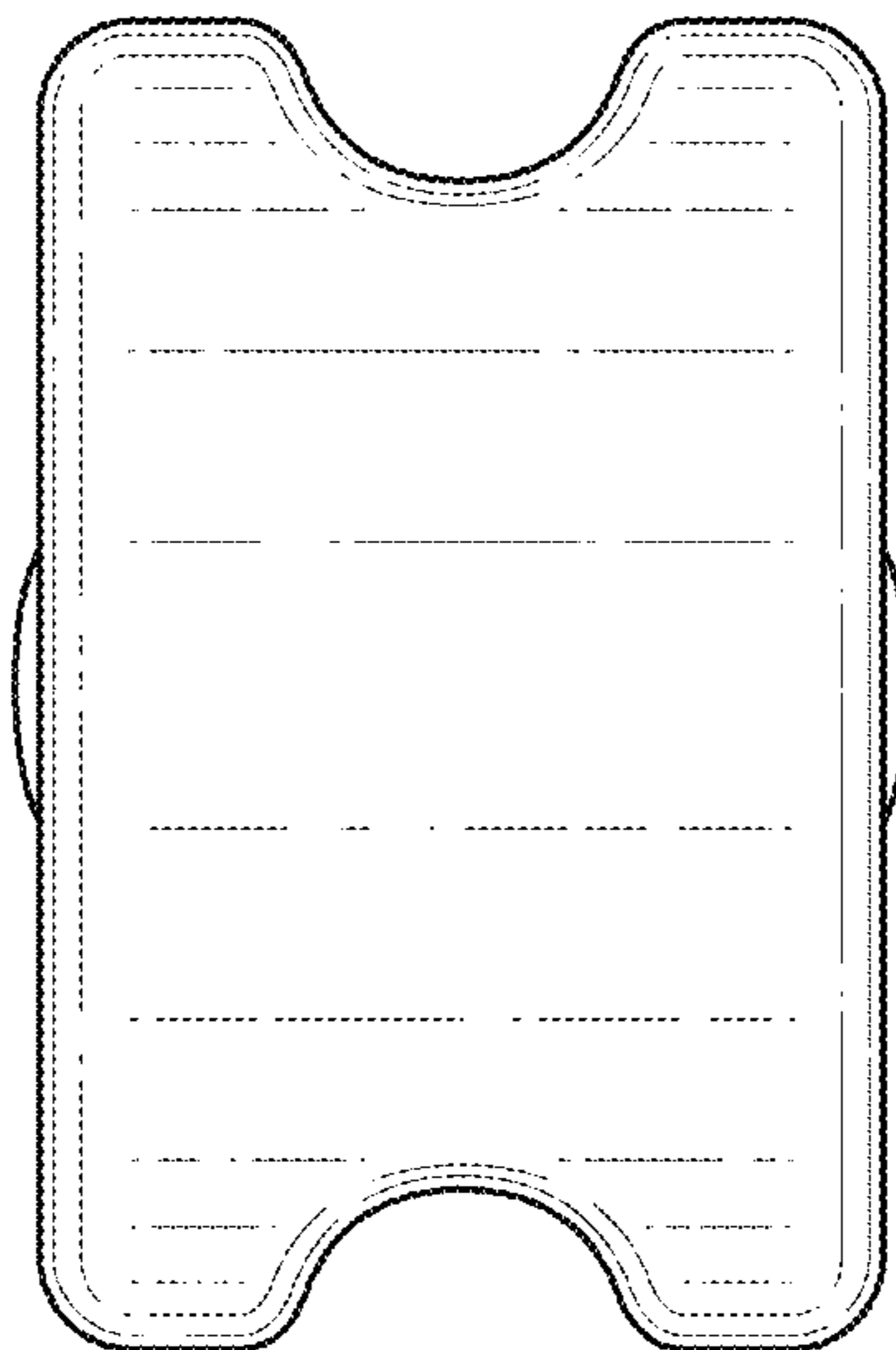


FIG. 7