



US00D822464S

(12) **United States Design Patent**
Kwiatkowski et al.

(10) **Patent No.:** **US D822,464 S**

(45) **Date of Patent:** **** Jul. 10, 2018**

(54) **SUCTION HOOK**

(71) Applicants: **Neil Kwiatkowski**, Queens, NY (US);
Linden Evans, Brooklyn, NY (US);
Daniel Huang, Taipei (TW)

(72) Inventors: **Neil Kwiatkowski**, Queens, NY (US);
Linden Evans, Brooklyn, NY (US);
Daniel Huang, Taipei (TW)

(73) Assignee: **HELEN OF TROY LIMITED**, St.
Michael (BB)

(**) Term: **15 Years**

(21) Appl. No.: **29/591,365**

(22) Filed: **Jan. 19, 2017**

(51) **LOC (11) Cl.** **08-05**

(52) **U.S. Cl.**
USPC **D8/367**

(58) **Field of Classification Search**
USPC D8/367, 354, 349; D7/367, 372
CPC A47B 81/005; A47B 96/068; F16M 13/02
See application file for complete search history.

(56) **References Cited**

U.S. PATENT DOCUMENTS

D545,669 S * 7/2007 Hall D8/367
D642,897 S * 8/2011 Berkowitz D8/367

D668,530 S * 10/2012 Bermudez D8/372
D756,205 S * 5/2016 New D8/367
D773,288 S * 12/2016 Green D8/349
D794,125 S * 8/2017 Costas D19/86
D794,431 S * 8/2017 Goodman D8/372

* cited by examiner

Primary Examiner — Cynthia R Underwood

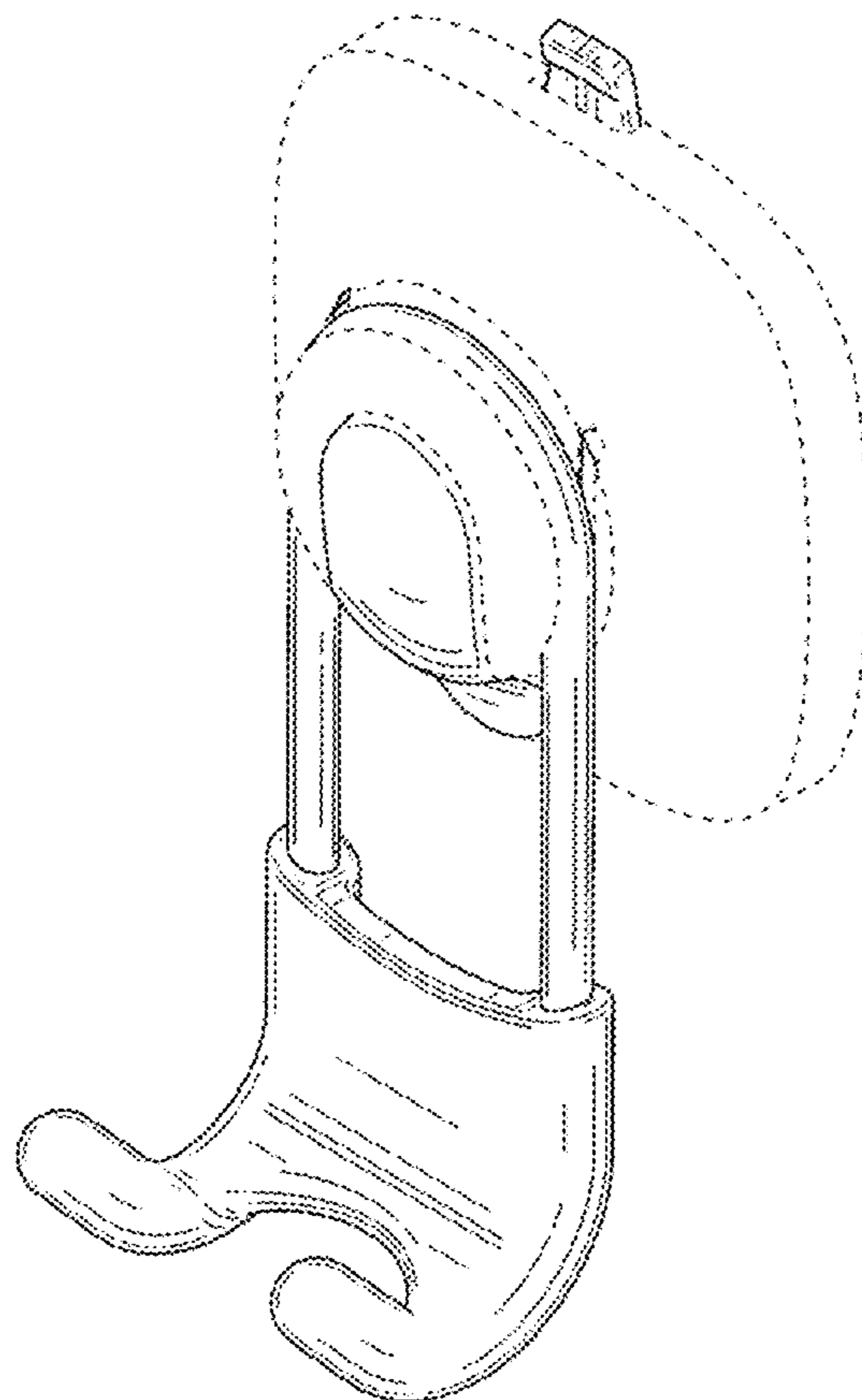
(57) **CLAIM**

The ornamental design for a suction hook, as shown, and described.

DESCRIPTION

FIG. 1 is a perspective view of the suction hook;
FIG. 2 is a front view of the suction hook;
FIG. 3 is a rear view of the suction hook;
FIG. 4 is a side view of the suction hook;
FIG. 5 is a top view of the suction hook; and,
FIG. 6 is a bottom view of the suction hook.
The broken lines depict environment and form no part of the claimed design.

1 Claim, 6 Drawing Sheets



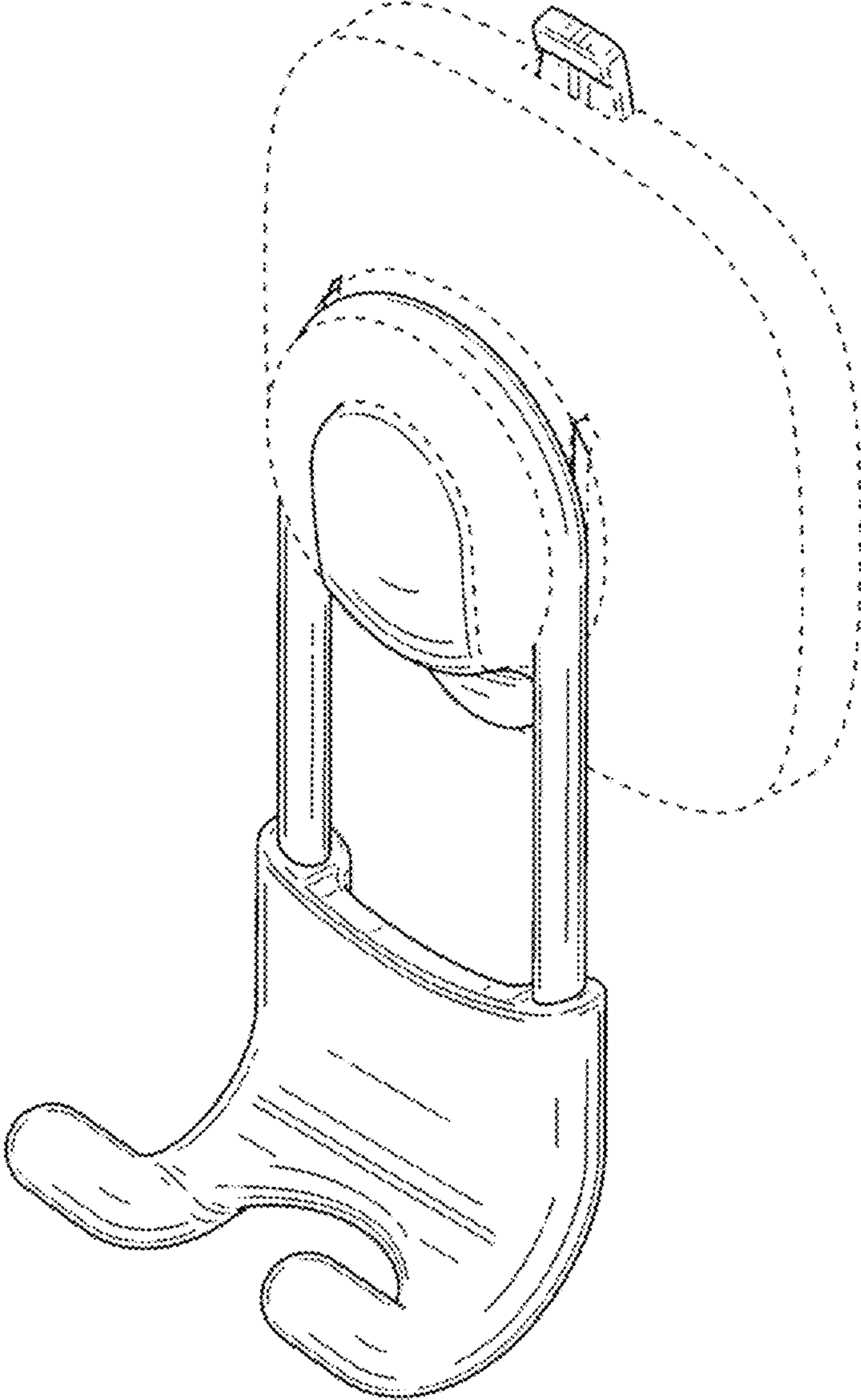


FIG. 1

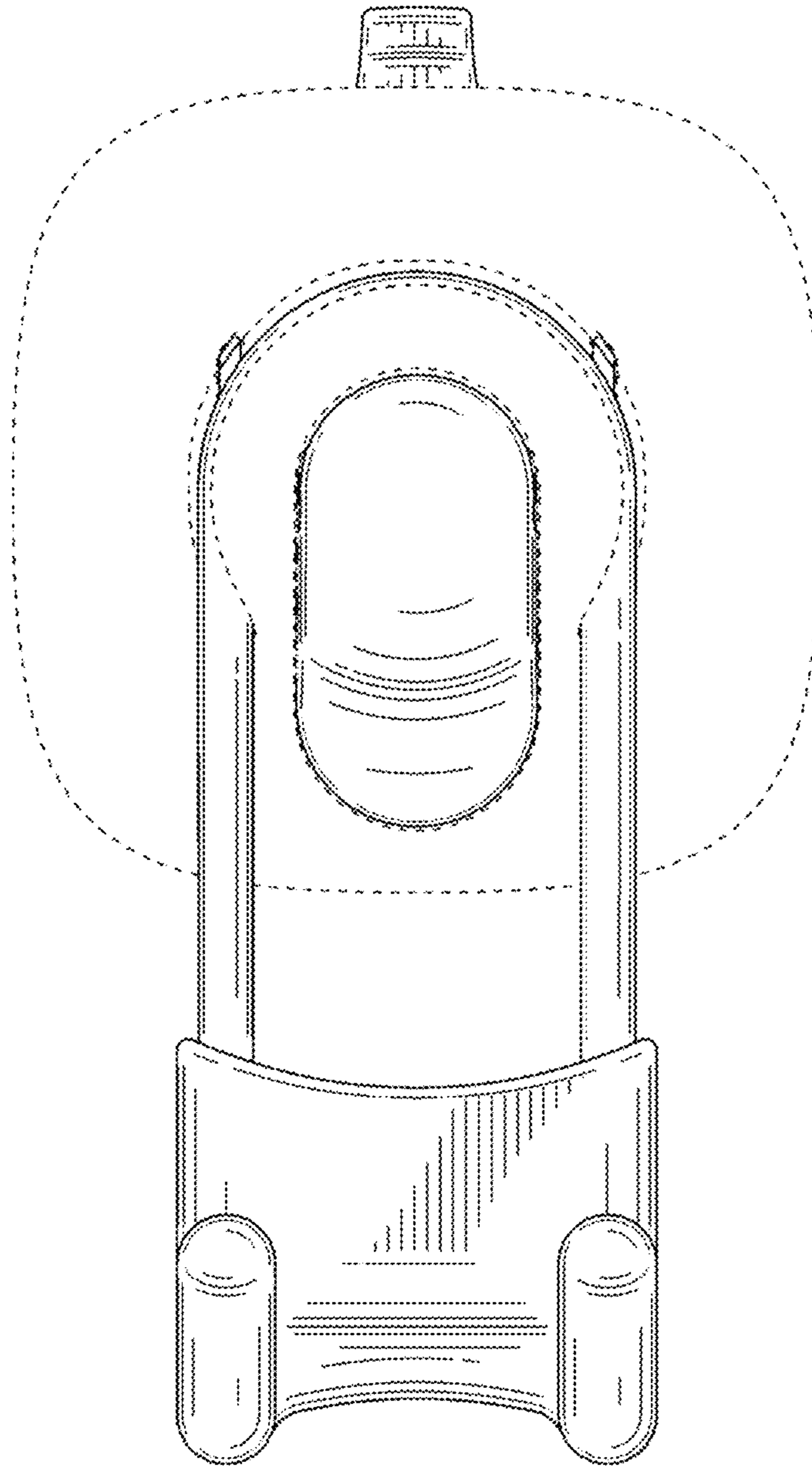


FIG. 2

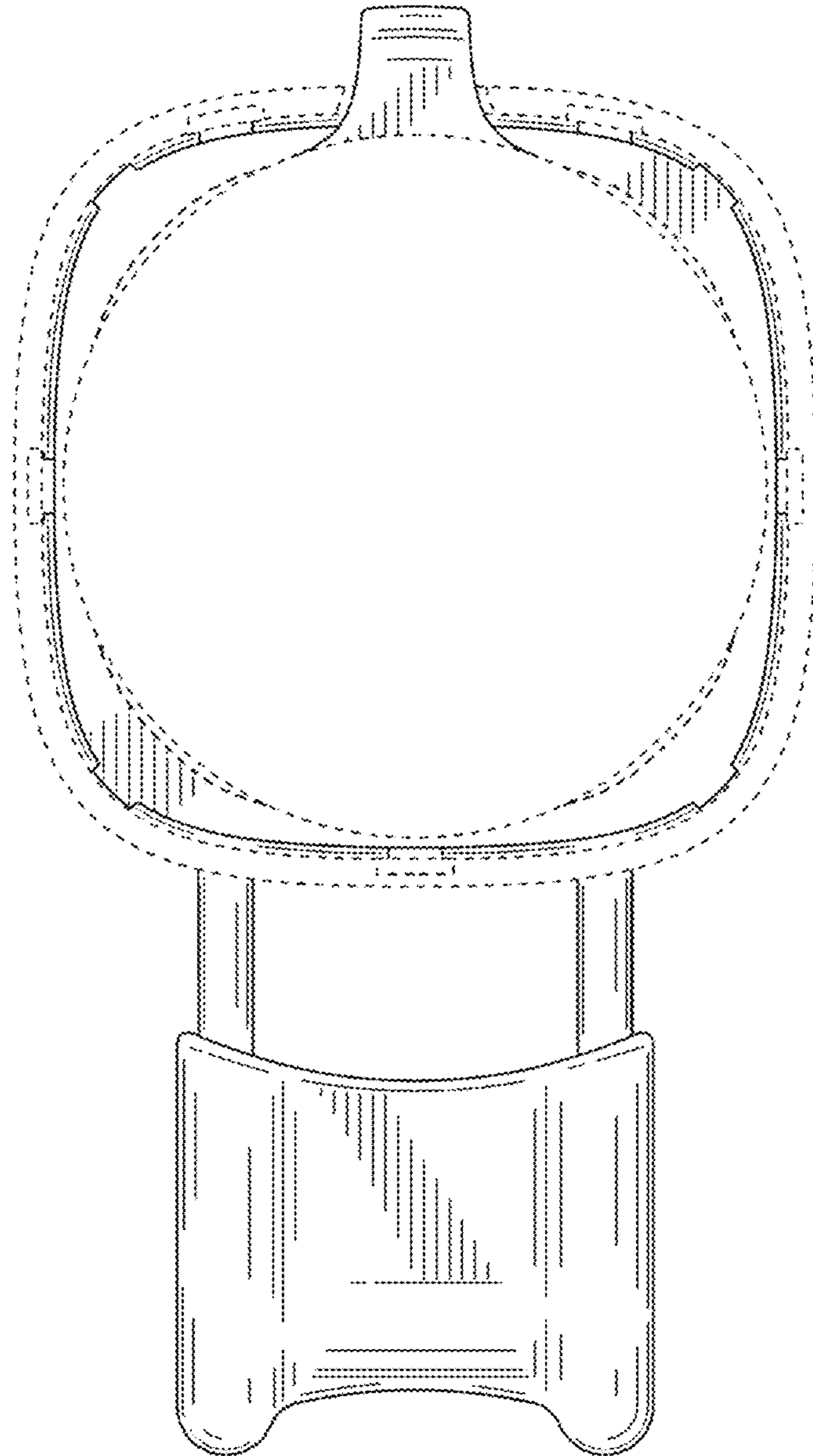


FIG. 3

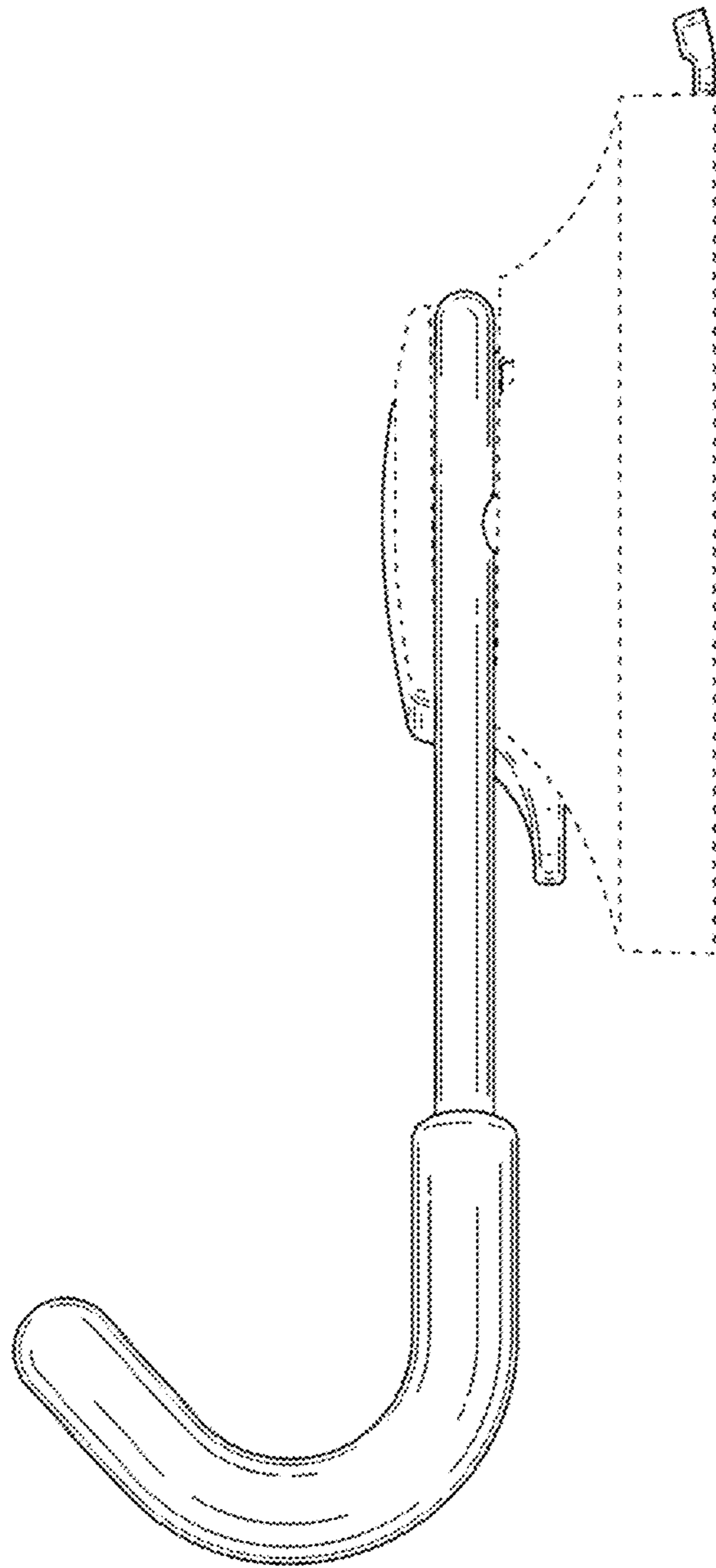


FIG. 4

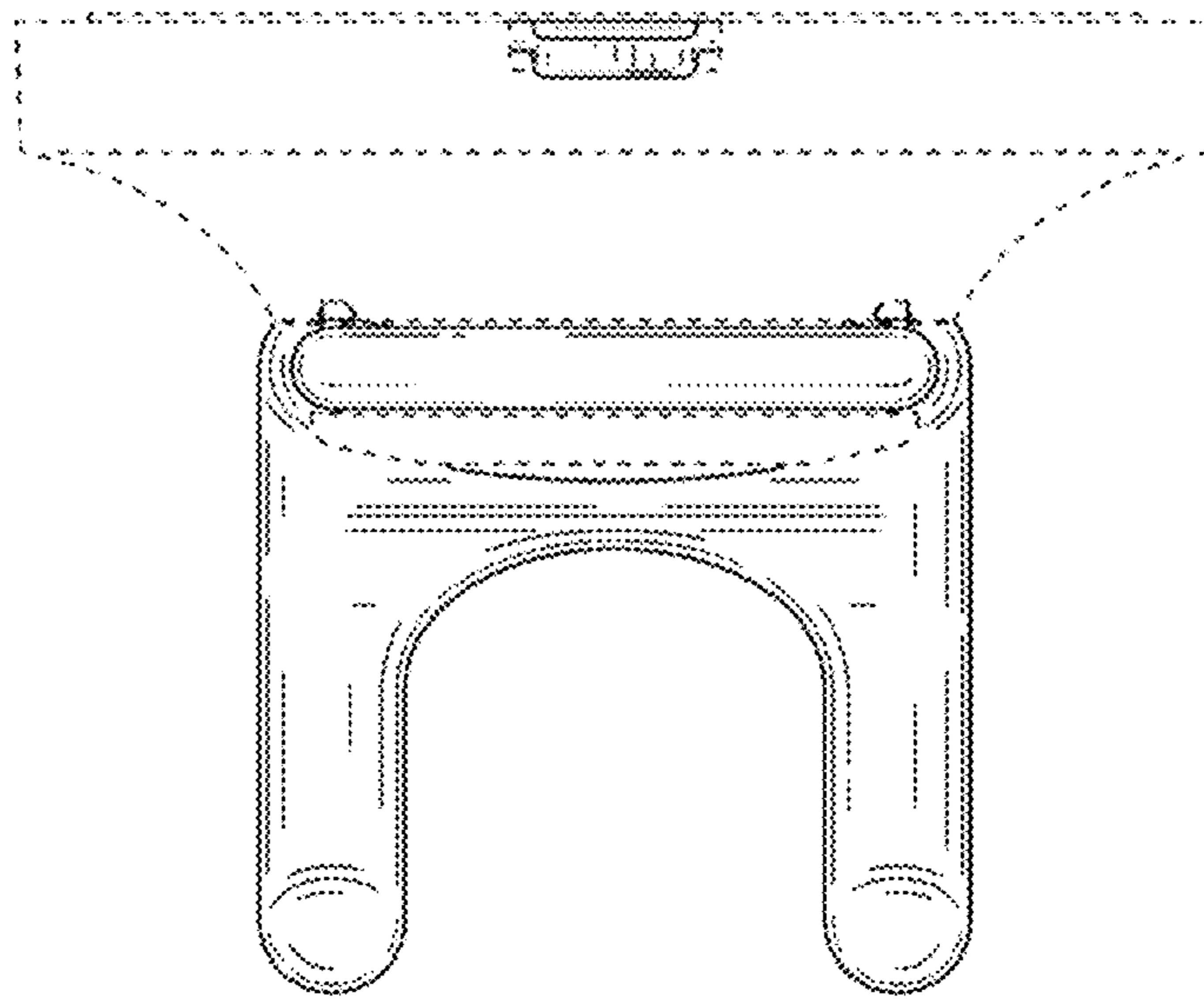


FIG. 5

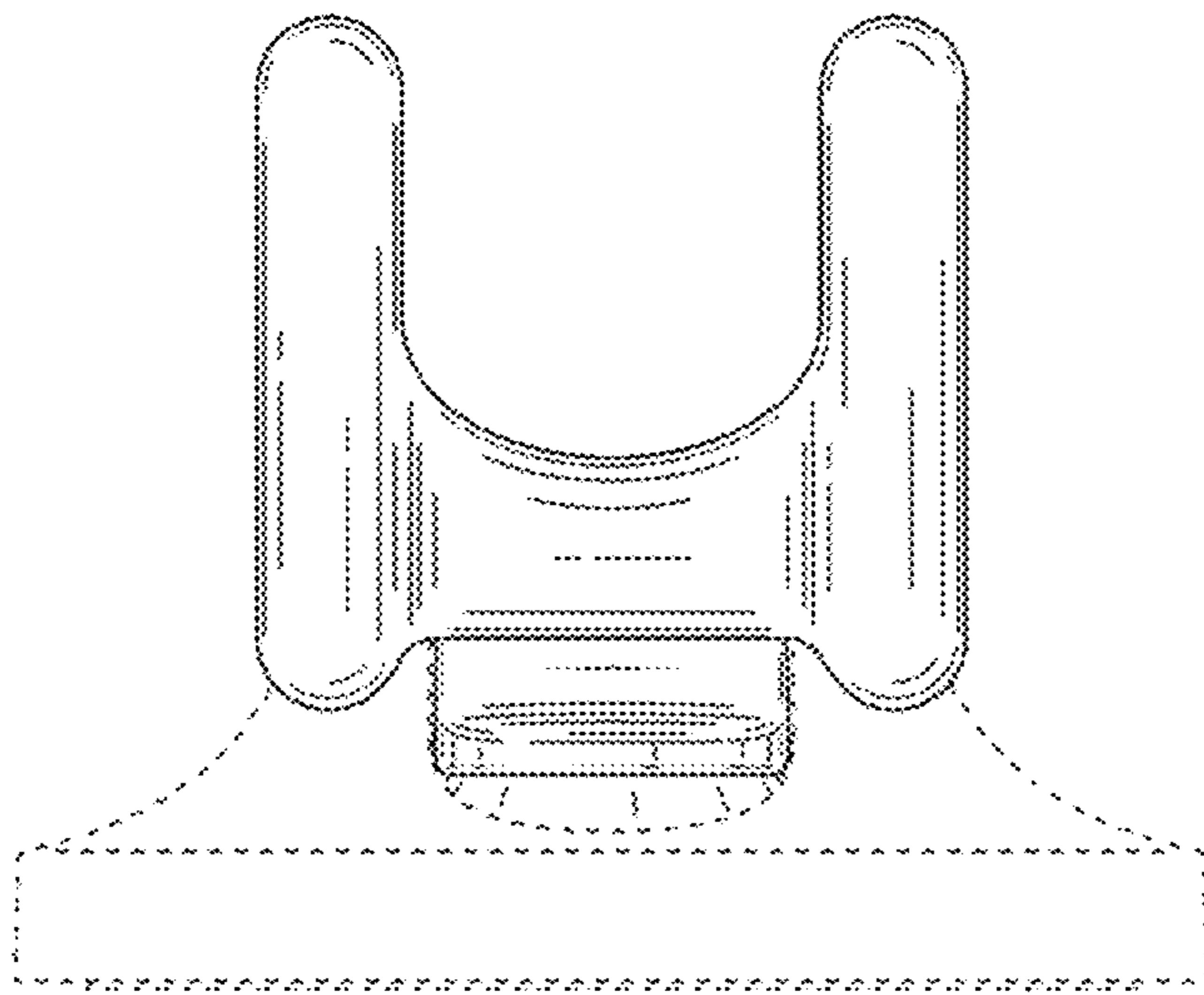


FIG. 6