



US00D822463S

(12) **United States Design Patent**
Han

(10) **Patent No.:** **US D822,463 S**

(45) **Date of Patent:** **** Jul. 10, 2018**

(54) **BAT SHAPED ZIP LINE TROLLEY**

(71) Applicant: **Changhua Han**, Shanghai (CN)

(72) Inventor: **Changhua Han**, Shanghai (CN)

(**) Term: **15 Years**

(21) Appl. No.: **29/593,168**

(22) Filed: **Feb. 7, 2017**

(51) **LOC (11) Cl.** **08-05**

(52) **U.S. Cl.**
USPC **D8/360**

(58) **Field of Classification Search**
USPC D8/360, 356, 354, 349
CPC A63B 29/00; A63B 27/00
See application file for complete search history.

(56) **References Cited**

U.S. PATENT DOCUMENTS

- 377,161 A * 1/1888 Jebb F16H 55/38
474/188
- D425,682 S * 5/2000 Wang D34/28
- D461,395 S * 8/2002 Lindholm D8/360

- D719,798 S * 12/2014 Thompson D8/1
- D738,710 S * 9/2015 Shin D8/360
- D757,525 S * 5/2016 Glasband D8/360
- D794,725 S * 8/2017 Lamothe D21/679
- 2004/0060723 A1* 4/2004 Pallapothu B60R 16/0222
174/653

* cited by examiner

Primary Examiner — Cynthia R Underwood

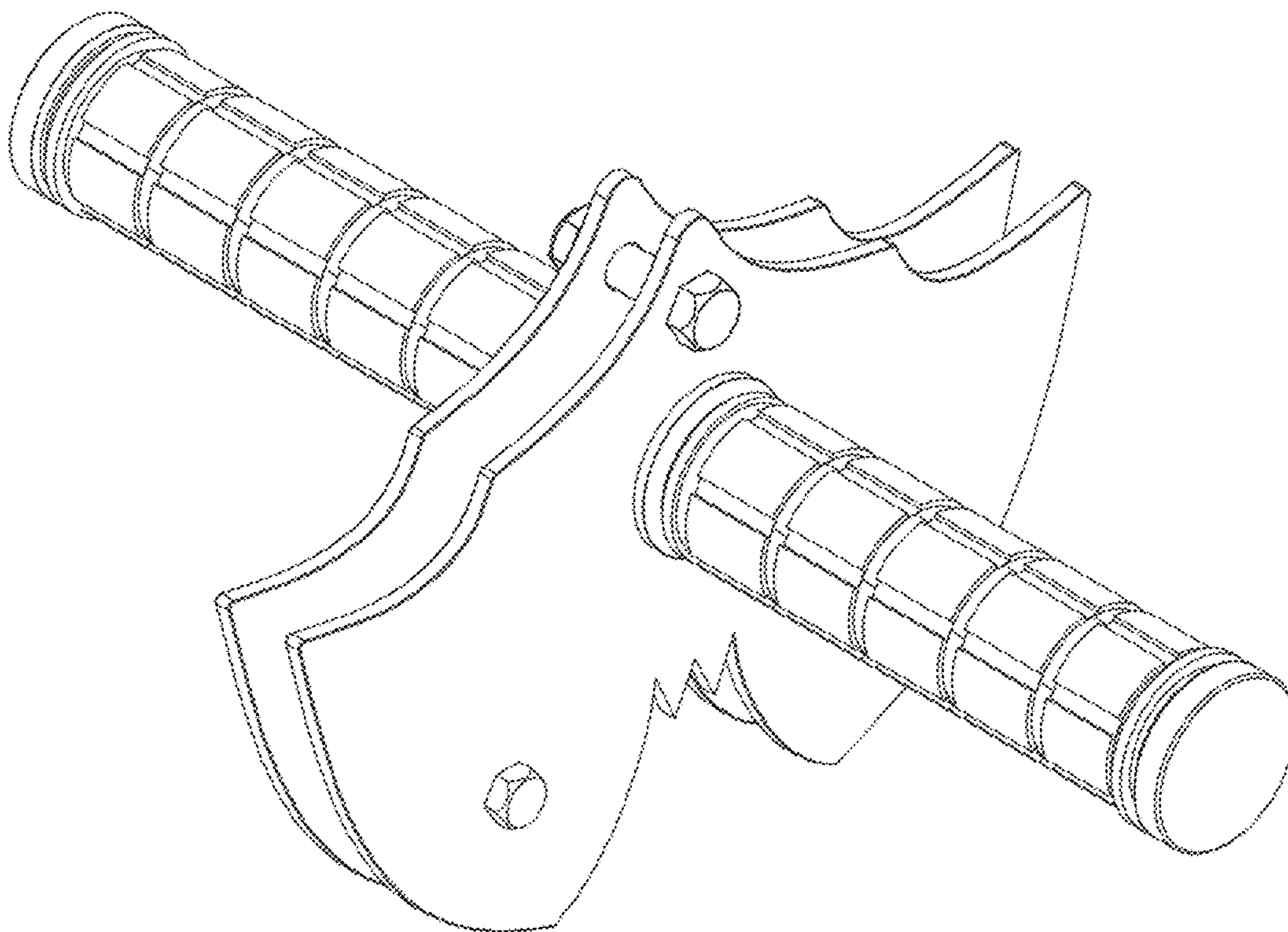
(57) **CLAIM**

The ornamental design for bat shaped zip line trolley, as shown and described.

DESCRIPTION

FIG. 1 is a perspective view of a bat shaped zip line trolley showing my new design;
 FIG. 2 is a front elevational view thereof;
 FIG. 3 is a rear elevational view thereof;
 FIG. 4 is a right side view thereof;
 FIG. 5 is a left side view thereof;
 FIG. 6 is a bottom plan view thereof; and,
 FIG. 7 is a top plan view thereof.

1 Claim, 5 Drawing Sheets



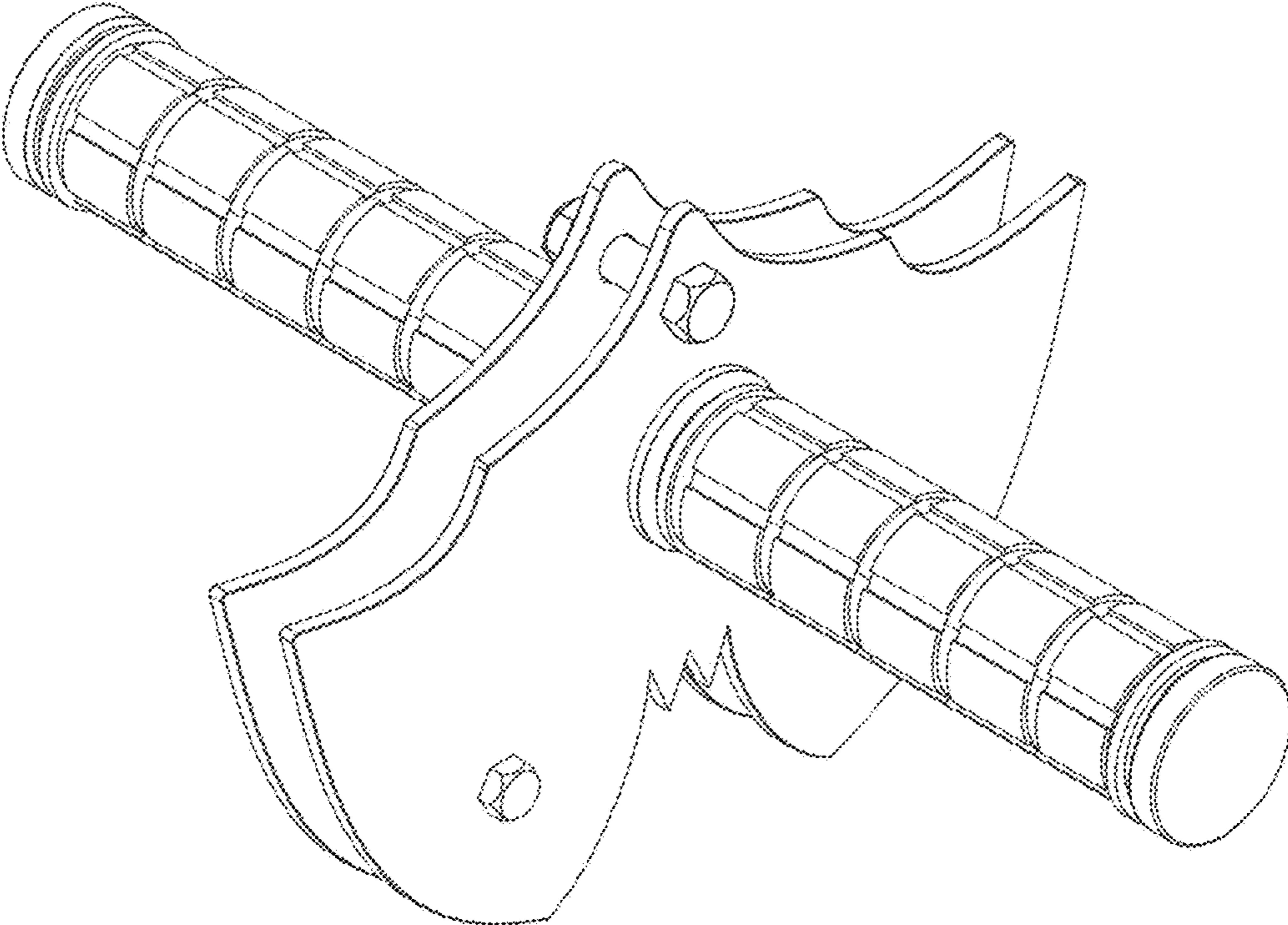


FIG. 1

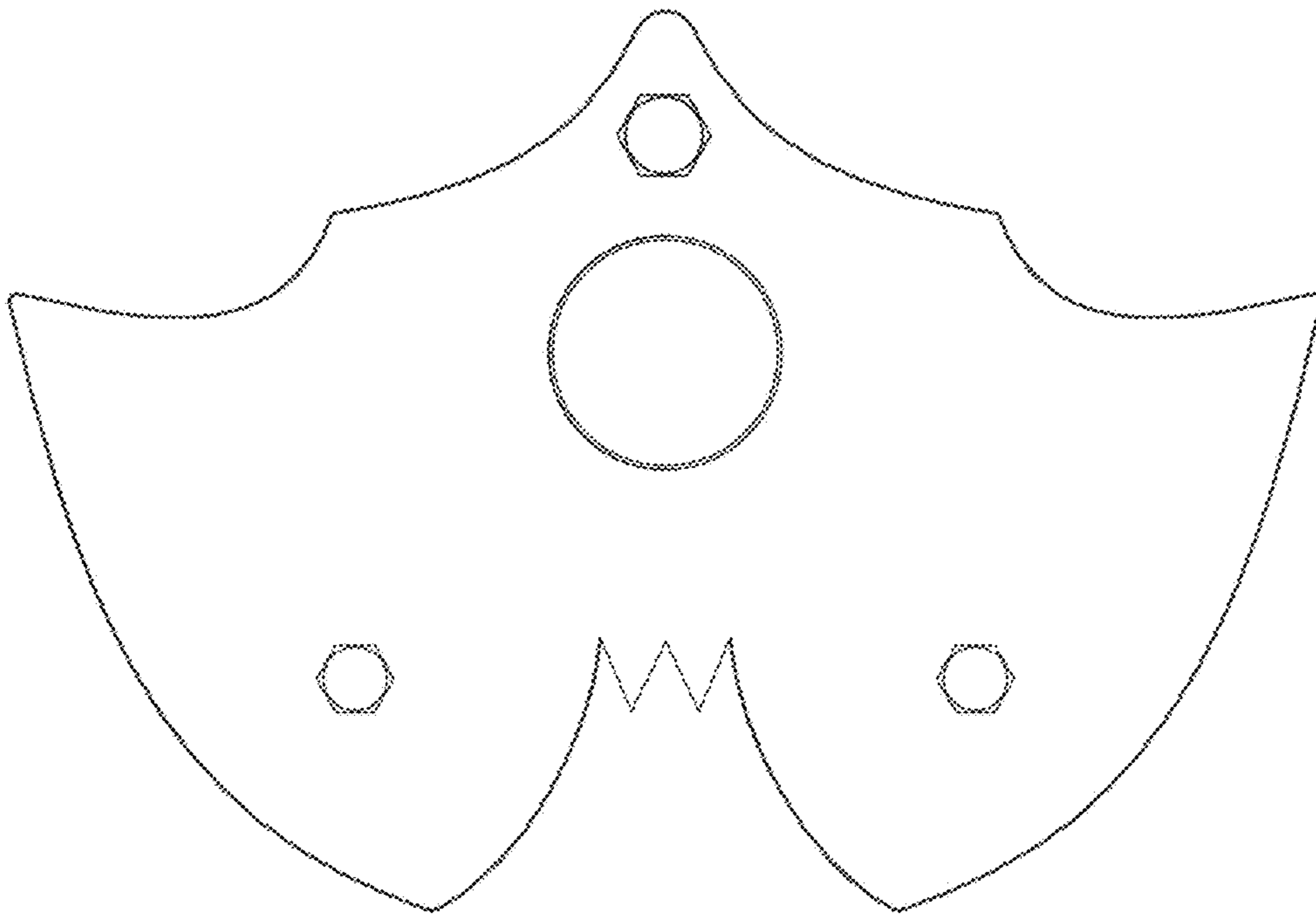


FIG. 2

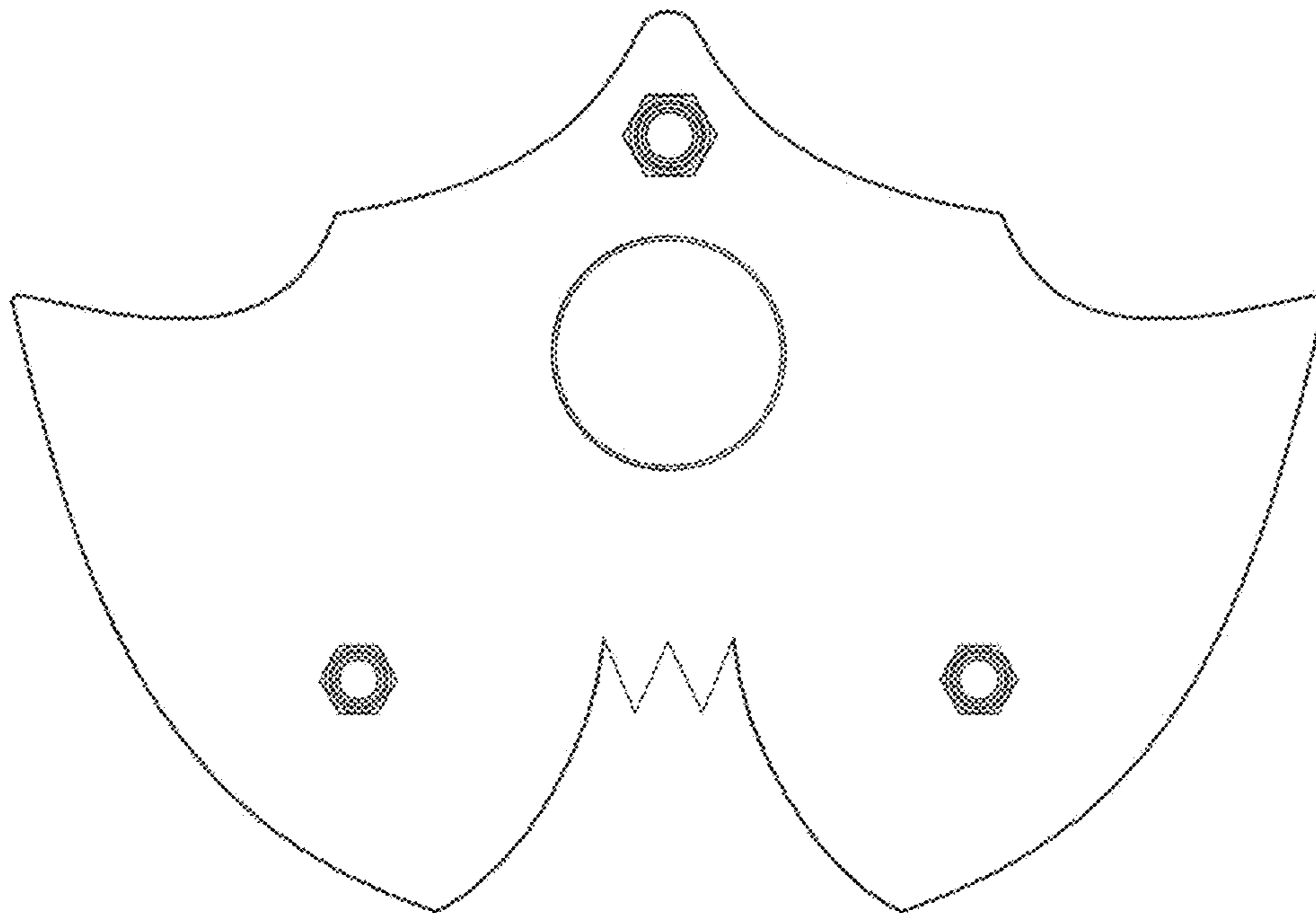


FIG. 3

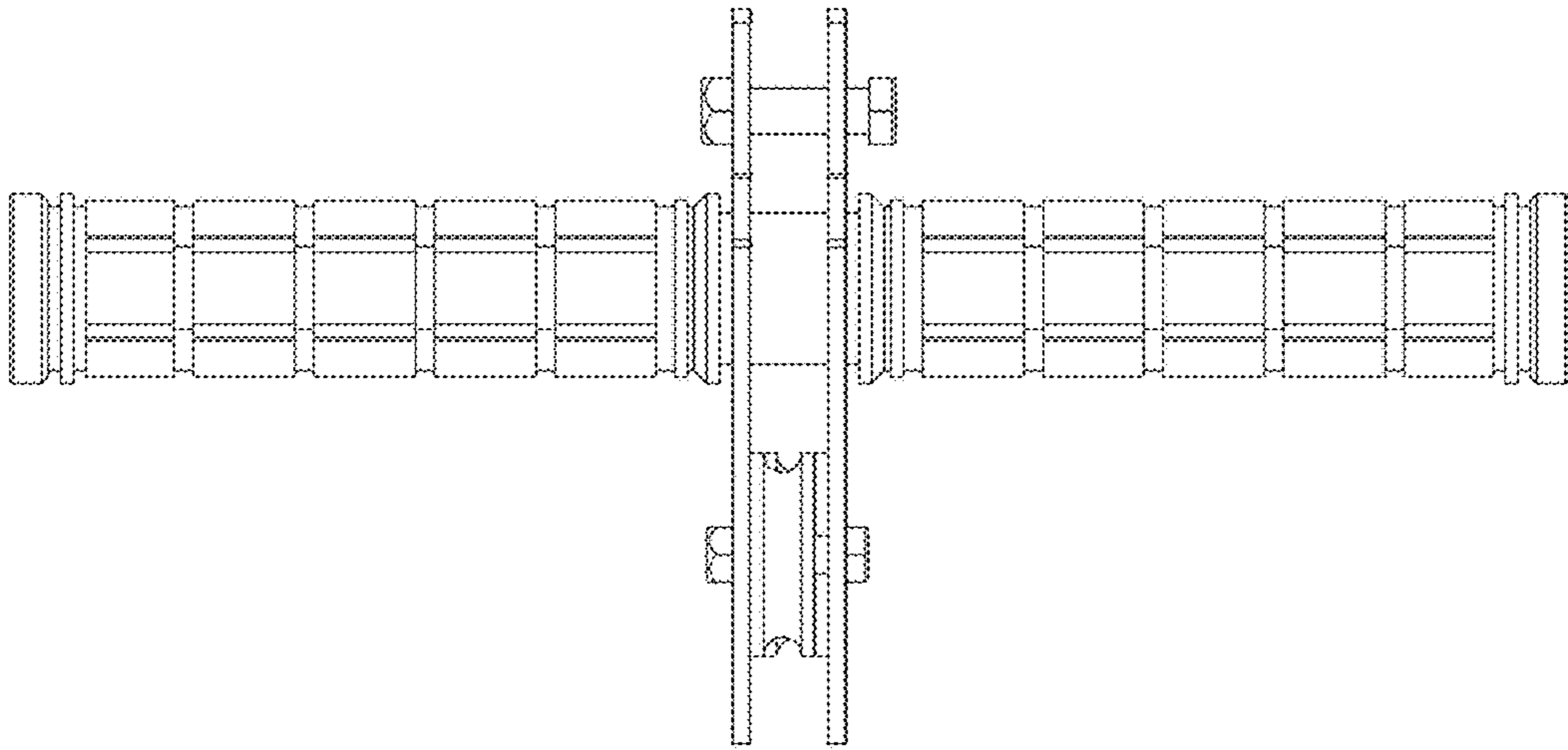


FIG. 4

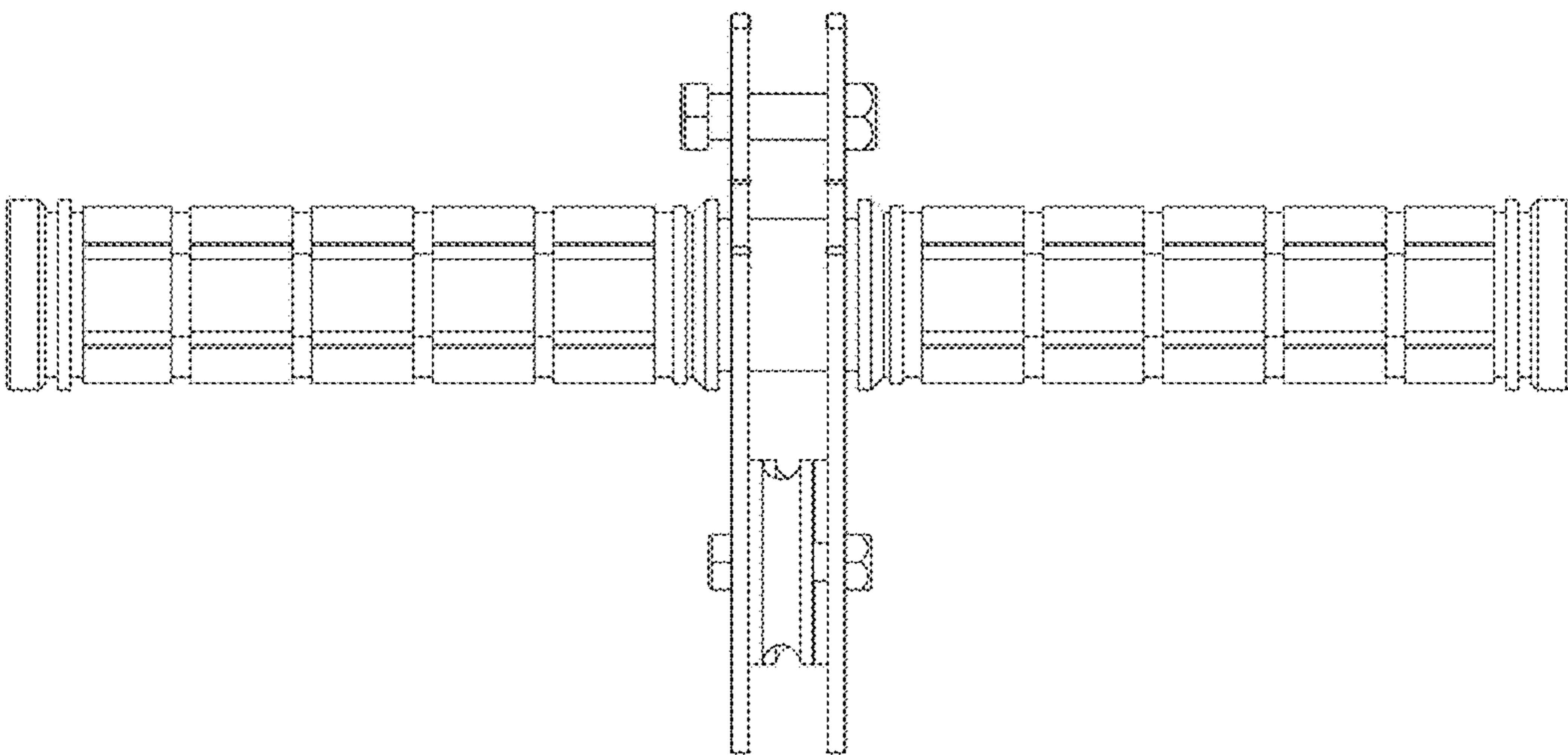


FIG. 5

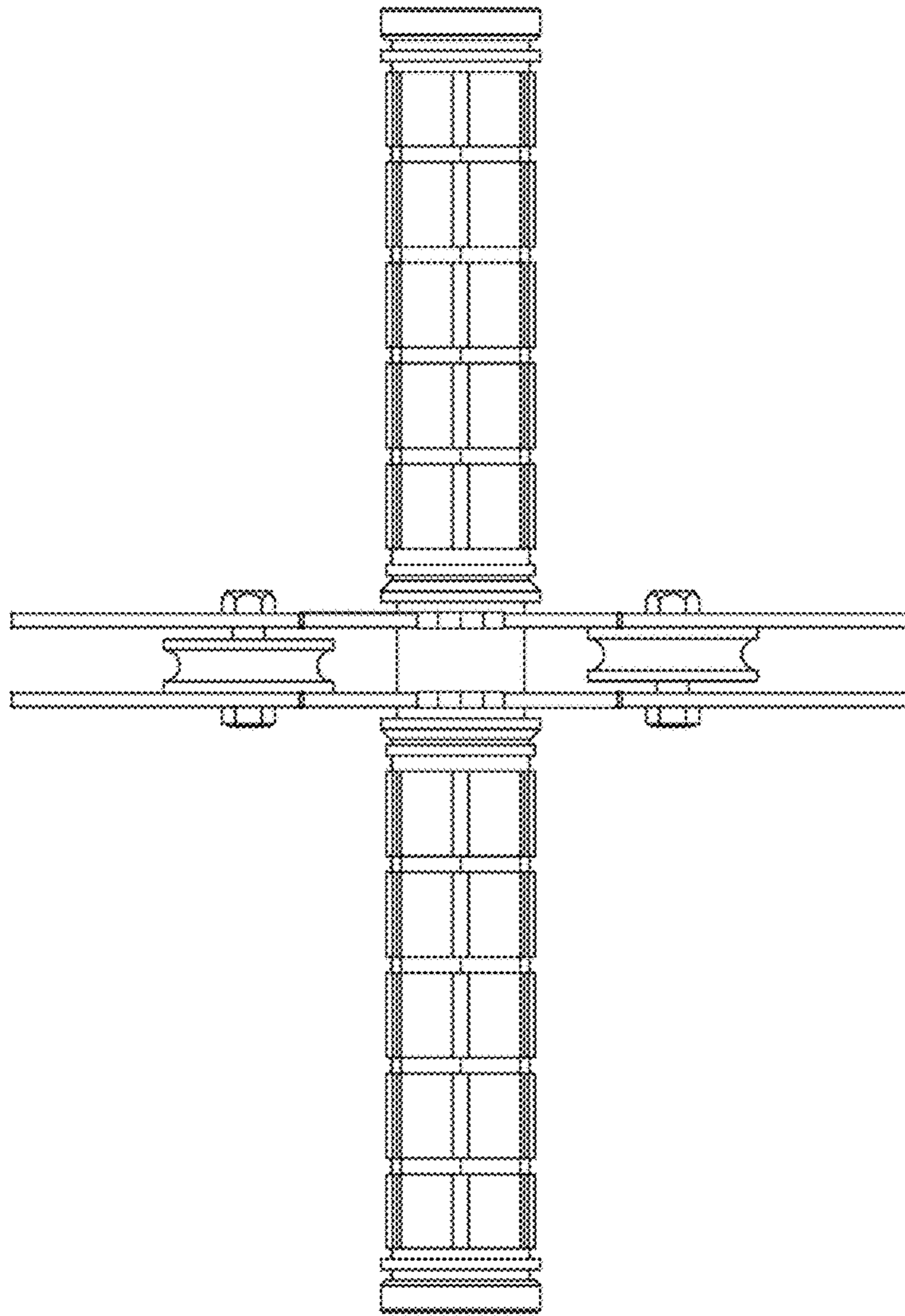


FIG. 6

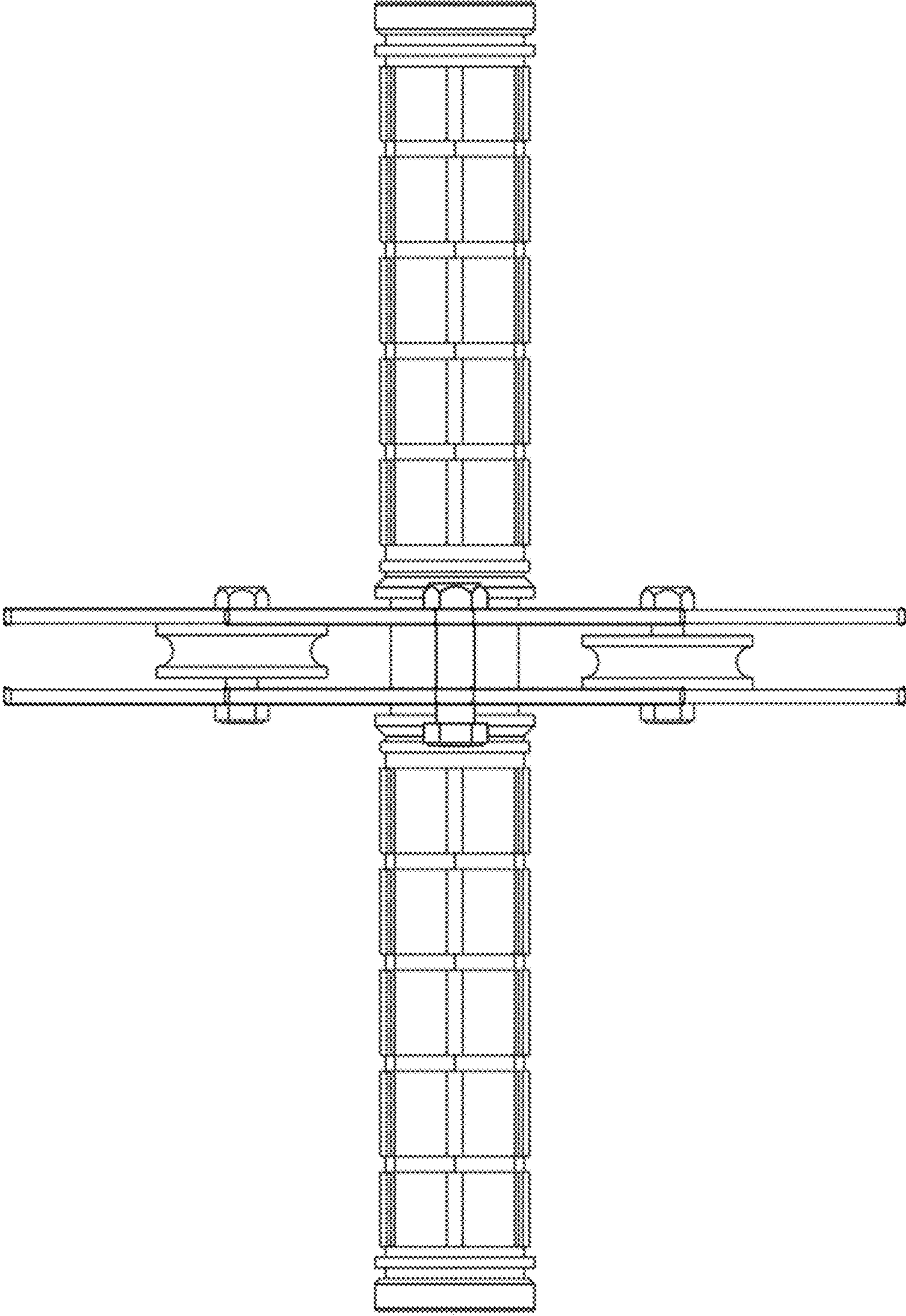


FIG. 7