



US00D822459S

(12) **United States Design Patent**
Kobayashi

(10) **Patent No.:** **US D822,459 S**
(45) **Date of Patent:** **** Jul. 10, 2018**

(54) **WIRING-PIPING MATERIAL FIXTURE FOR
FIXING WIRES OR PIPES OF A ROOFTOP
ARTICLE**

(71) Applicant: **Yanegijutsukenkyujo Co., Ltd.,**
Takahama-shi, Aichi (JP)

(72) Inventor: **Shuichi Kobayashi,** Takahama-shi (JP)

(73) Assignee: **Yanegijutsukenkyujo Co., Ltd.,**
Takahama-shi, Aichi (JP)

(**) Term: **15 Years**

(21) Appl. No.: **29/616,323**

(22) Filed: **Sep. 5, 2017**

(51) **LOC (11) Cl.** **09-06**

(52) **U.S. Cl.**
USPC **D8/356; D8/349**

(58) **Field of Classification Search**
USPC D8/360, 356, 354, 349; 361/826
CPC A63B 29/00; A63B 27/00; B63B 59/02;
B63B 21/045; H05K 5/0247
See application file for complete search history.

(56) **References Cited**

U.S. PATENT DOCUMENTS

- 5,335,349 A * 8/1994 Kutsch F16G 13/16
375/257
- 5,427,339 A * 6/1995 Pauli B05B 15/00
188/32
- D432,902 S * 10/2000 Thiel D8/354
- 6,227,502 B1 * 5/2001 Derman F16L 3/2235
248/68.1
- 6,378,811 B1 * 4/2002 Potter F16L 3/222
248/49
- 6,476,327 B1 * 11/2002 Bernard H02G 3/045
174/101
- 6,528,728 B1 * 3/2003 Shima H02G 3/0437
174/101

- 6,706,969 B1 * 3/2004 Young F16L 3/22
174/95
- D492,928 S * 7/2004 Pond D12/217
- 6,997,412 B2 * 2/2006 Komiya F16G 13/16
242/615.2
- D571,190 S * 6/2008 Spadotto B65H 75/366
D8/356
- D589,782 S * 4/2009 Rowell D8/356
- 7,617,669 B1 * 11/2009 Komiya F16G 13/16
248/49
- 7,700,876 B2 * 4/2010 Nishikino H02G 3/32
174/68.1
- 7,806,374 B1 * 10/2010 Ehmann H02G 3/22
174/40 R
- D639,147 S * 6/2011 Surles D8/356
- 8,074,945 B2 * 12/2011 Schoenau F16L 5/14
248/316.6
- D662,406 S * 6/2012 Zhang D8/380
- 8,227,694 B2 * 7/2012 Murayama B60R 16/0207
174/101

(Continued)

Primary Examiner — Cynthia R Underwood

(74) *Attorney, Agent, or Firm* — Kenichiro Yoshida

(57) **CLAIM**

The ornamental design for a wiring-piping material fixture for fixing wires or pipes of a rooftop article, as shown and described.

DESCRIPTION

FIG. 1 is a front elevational view of a wiring-piping material fixture for fixing wires or pipes of a rooftop article showing my new design, a rear elevational view being identical thereto;

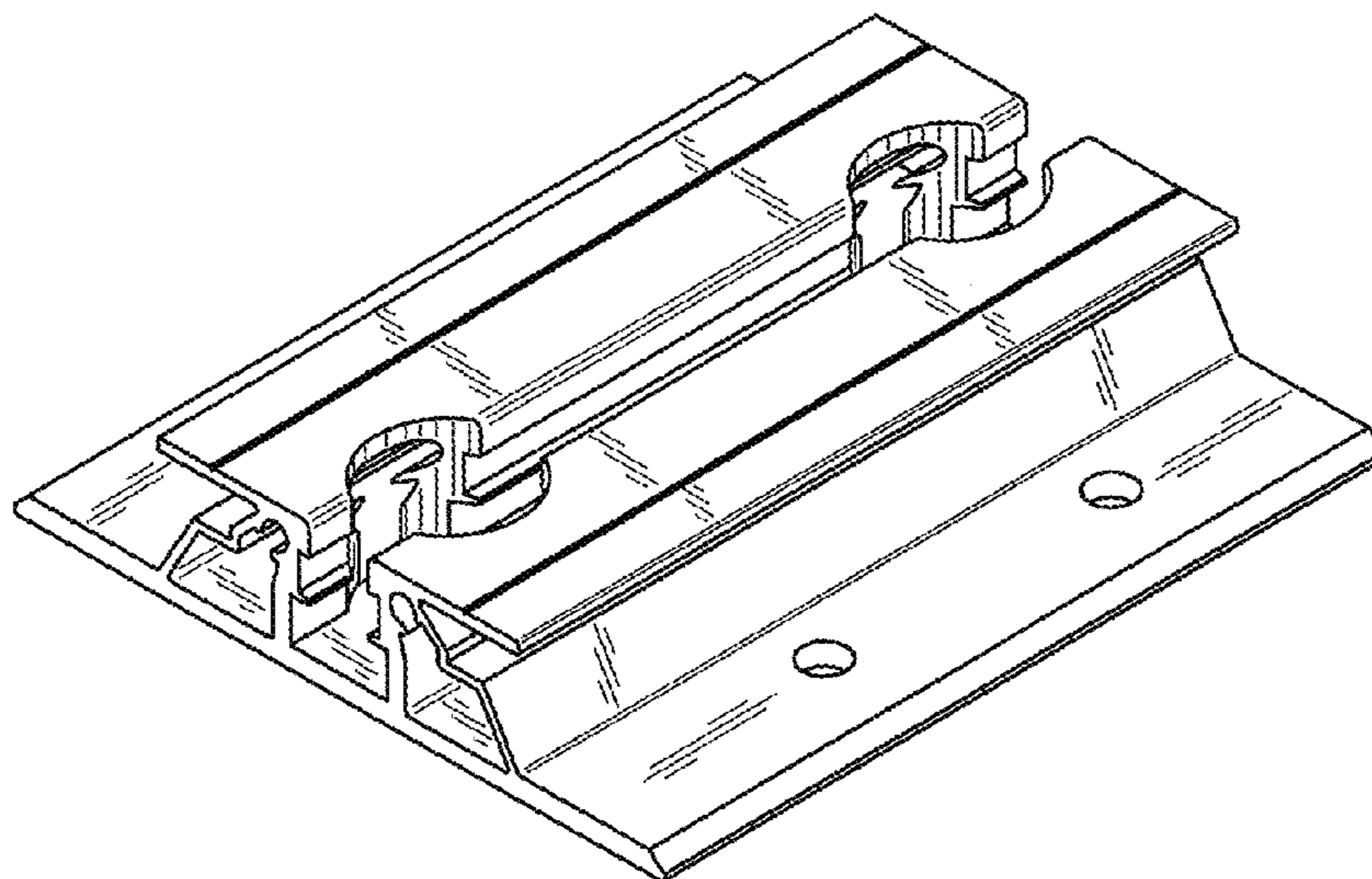
FIG. 2 is a top plan view thereof;

FIG. 3 is a bottom plan view thereof;

FIG. 4 is a right side elevational view thereof, a left side elevational view being identical thereto; and,

FIG. 5 is a perspective view thereof.

1 Claim, 5 Drawing Sheets



(56)

References Cited

U.S. PATENT DOCUMENTS

8,254,744 B2 *	8/2012	Sayres	G02B 6/4459	385/137				
8,342,474 B2 *	1/2013	Gilbreath	F16L 3/222	165/162				
D687,546 S *	8/2013	Baid	D24/128					
D691,875 S *	10/2013	Ganski	D8/356					
8,561,815 B2 *	10/2013	Higson	H05K 7/183	211/41.17				
D713,947 S *	9/2014	Jensen	D23/322					
9,010,063 B2 *	4/2015	Spruiell	E04G 21/185	52/699				
9,083,159 B2 *	7/2015	Takeuchi	H02G 3/0475					
9,368,951 B2 *	6/2016	Komiya	F16L 3/015					
D769,105 S *	10/2016	Tomney	D12/217					
D771,478 S *	11/2016	McCoy	D8/354					
D789,526 S *	6/2017	Serafini	D24/128					
D790,127 S *	6/2017	Verleur	D27/183					
D795,046 S *	8/2017	McCoy	D8/354					
						D801,152 S *	10/2017	Bishop D8/356
						D807,729 S *	1/2018	Willshare D8/356
						D808,777 S *	1/2018	Ruddick D8/356
						D815,936 S *	4/2018	Naslund D8/356
						2002/0121571 A1 *	9/2002	Ferris G02B 6/4459
									242/615
						2004/0112625 A1 *	6/2004	Sheikholeslami F16G 13/16
									174/68.1
						2005/0217883 A1 *	10/2005	Ewer H02G 3/0418
									174/481
						2008/0009165 A1 *	1/2008	Tseng F21V 21/002
									439/257
						2010/0132979 A1 *	6/2010	Chen F16L 3/223
									174/135
						2012/0257368 A1 *	10/2012	Bohn H04M 1/022
									361/809
						2012/0267164 A1 *	10/2012	Reuss H02G 3/0487
									174/70 R
						2013/0001375 A1 *	1/2013	Geng H02G 3/32
									248/74.3

* cited by examiner

Fig. 1

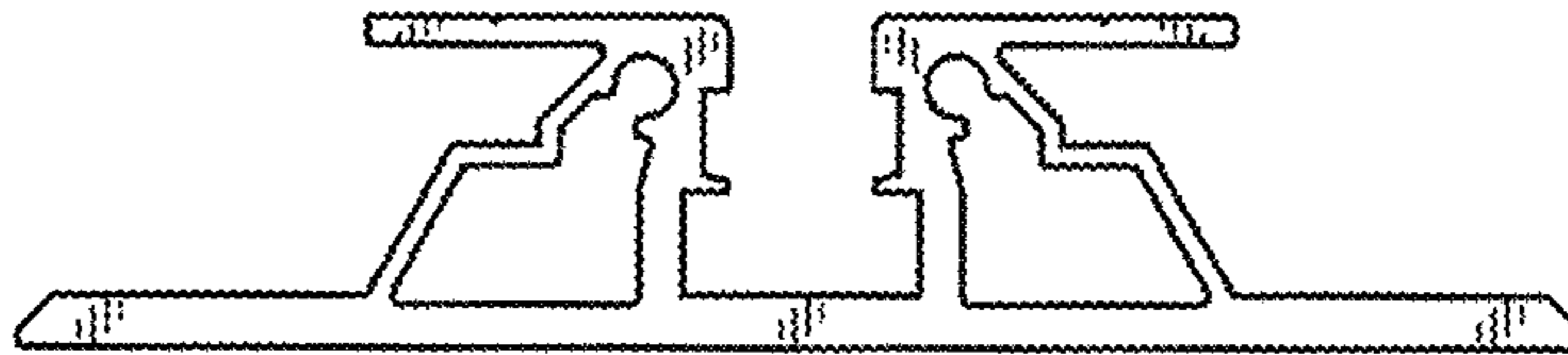


Fig. 2

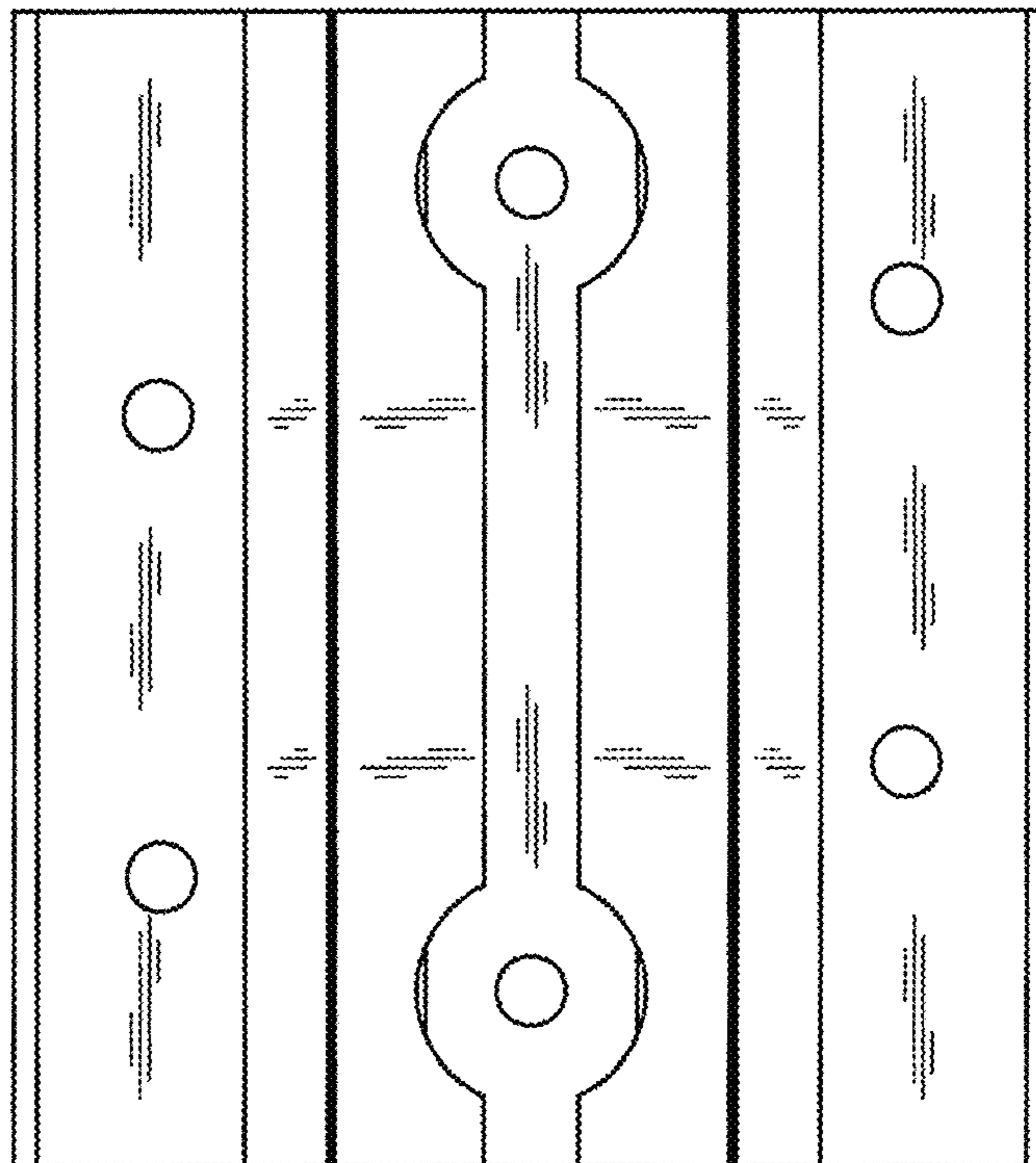


Fig. 3

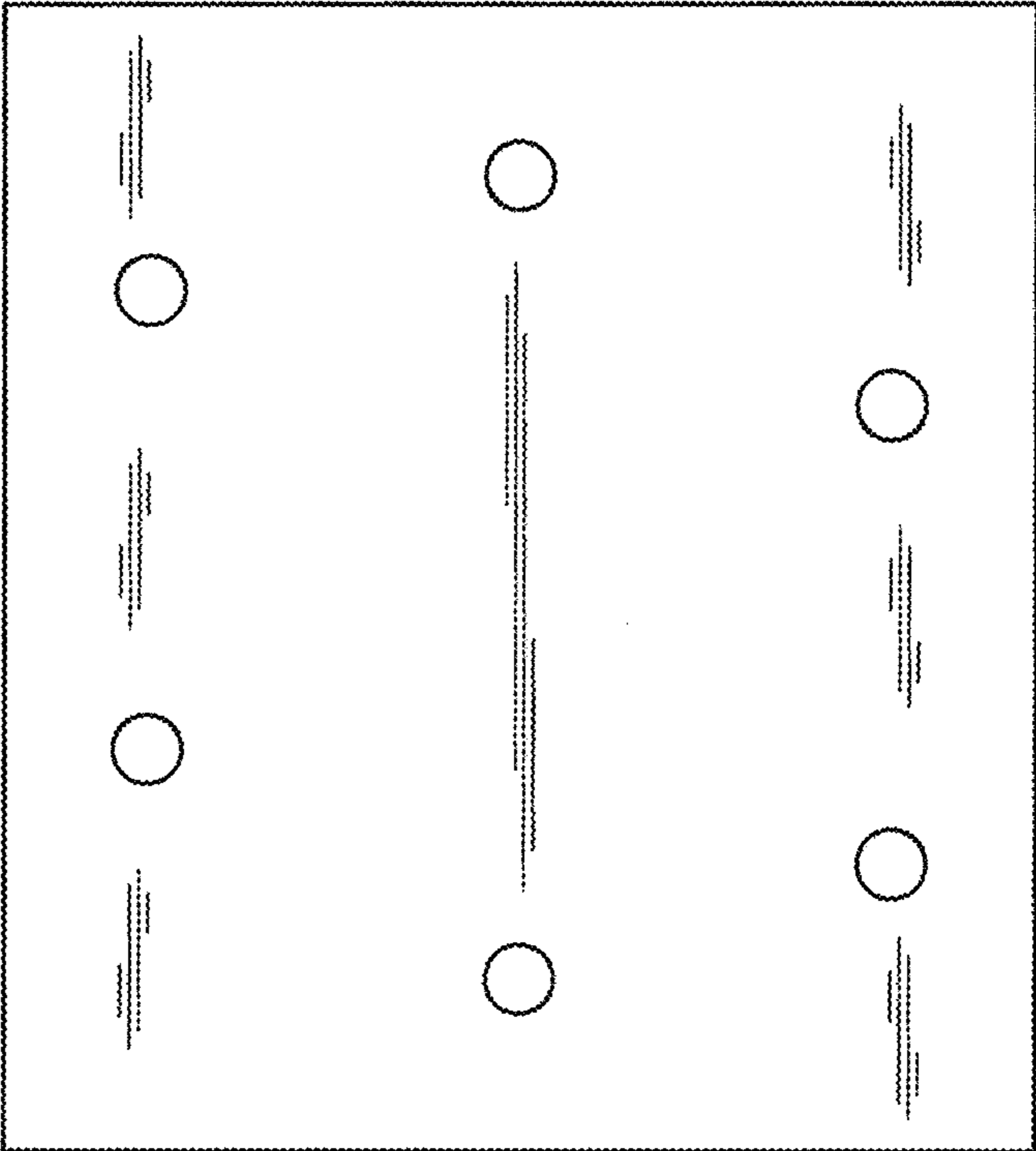


Fig. 4

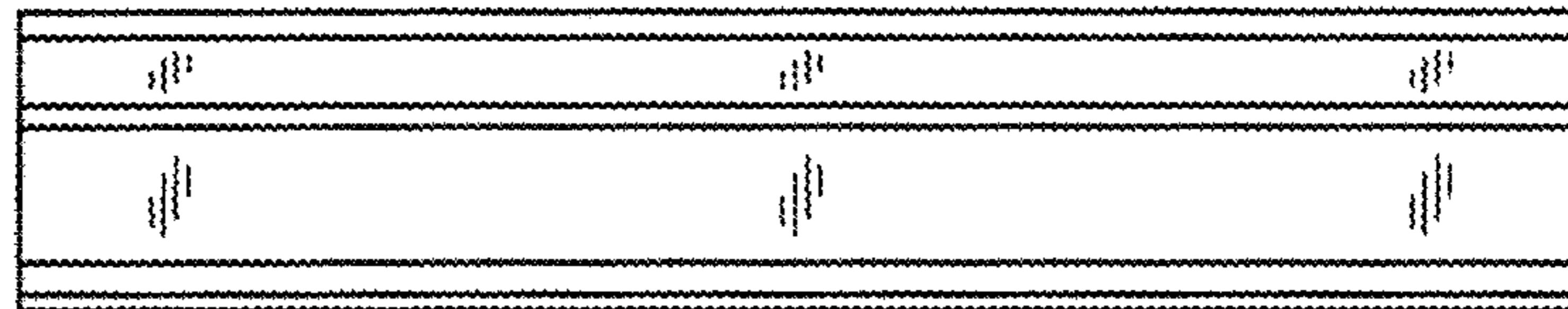


Fig. 5

