



US00D822458S

(12) **United States Design Patent**  
**Campbell et al.**

(10) **Patent No.:** **US D822,458 S**  
(45) **Date of Patent:** **\*\* Jul. 10, 2018**

- (54) **SEA CONTAINER BRACKET**
- (71) Applicant: **Precision Maintenance & Fabrication**,  
Charlotte Hall, MD (US)
- (72) Inventors: **Michael Campbell**, Charlotte Hall, MD  
(US); **Marcus Campbell**, Charolette,  
MD (US)
- (73) Assignee: **Precision Maintenance and  
Fabrication, LLC**, Charlotte Hall, MD  
(US)
- (\*\*) Term: **15 Years**
- (21) Appl. No.: **29/620,488**
- (22) Filed: **Jan. 13, 2017**
- (51) **LOC (11) Cl.** ..... **08-05**
- (52) **U.S. Cl.**  
USPC ..... **D8/354**
- (58) **Field of Classification Search**  
USPC ..... D8/354  
CPC ..... B65D 25/22; B65D 35/565; B65D 90/00;  
F17C 13/082  
See application file for complete search history.

D783,386 S *	4/2017	Collins, IV	.....	D8/354
D787,185 S *	5/2017	Hsieh	.....	D3/313
D791,580 S *	7/2017	Chou	.....	D8/354
D794,425 S *	8/2017	Thompson	.....	D8/354
D797,546 S *	9/2017	Saideh	.....	D8/354
D799,067 S *	10/2017	Forsberg	.....	D25/119
D807,152 S *	1/2018	Hansen	.....	D8/354
D808,576 S *	1/2018	Clarke	.....	D26/138
D811,200 S *	2/2018	Gupta	.....	D8/354

**OTHER PUBLICATIONS**

Container Bearing Bracket, posted at alibaba.com, posting date not given, [online], [site visited Mar. 26, 2018]. Available from Internet, URL: [https://www.alibaba.com/product-detail/Container-lock-cam-bearing-bracket-handle\\_60030099281.html](https://www.alibaba.com/product-detail/Container-lock-cam-bearing-bracket-handle_60030099281.html) (Year: 2018).\*

Container Booster, posted at chassisking.com, posting date not given, [online], [site visited Mar. 26, 2018]. Available from Internet, URL: <http://www.chassisking.com/products/parts-and-accessories/container-booster/> (Year: 2018).\*

\* cited by examiner

*Primary Examiner* — George D. Kirschbaum

*Assistant Examiner* — Maria J Edwards

(74) *Attorney, Agent, or Firm* — James R Thein

(57) **CLAIM**

The ornamental design for a sea container bracket, as shown and described.

**DESCRIPTION**

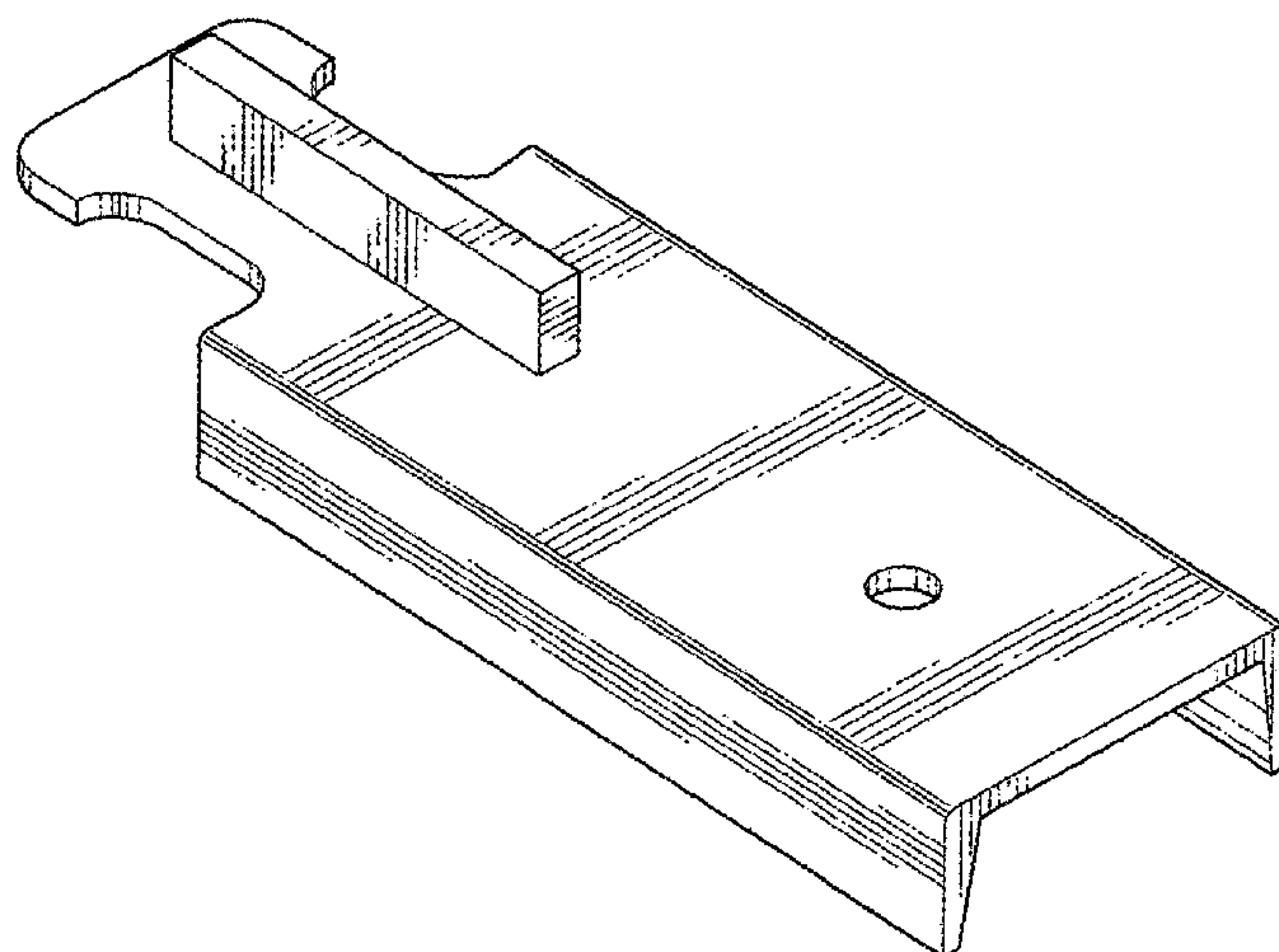
FIG. 1 is a top, rear perspective view of a sea container bracket.  
 FIG. 2 is a top view thereof.  
 FIG. 3 is a bottom view thereof.  
 FIG. 4 is a right side view thereof.  
 FIG. 5 is a left side view thereof.  
 FIG. 6 is a front end view thereof; and,  
 FIG. 7 is a rear end view thereof.

**1 Claim, 4 Drawing Sheets**

(56) **References Cited**

**U.S. PATENT DOCUMENTS**

1,935,246 A *	11/1933	Kirsch	.....	E04G 7/02 248/241
D423,328 S *	4/2000	Burrows	.....	D8/354
D607,711 S *	1/2010	Adams	.....	D8/354
D619,878 S *	7/2010	Sjoqvist	.....	D8/354
D733,531 S *	7/2015	Tonthat	.....	D8/354
D735,770 S *	8/2015	Schaffert	.....	D15/28
D736,598 S *	8/2015	Keen	.....	D8/354
D754,405 S *	4/2016	Herde	.....	D30/121
D759,466 S *	6/2016	Tonthat	.....	D8/354
D763,062 S *	8/2016	Tatem	.....	D14/239
D768,466 S *	10/2016	Simmons	.....	D8/354



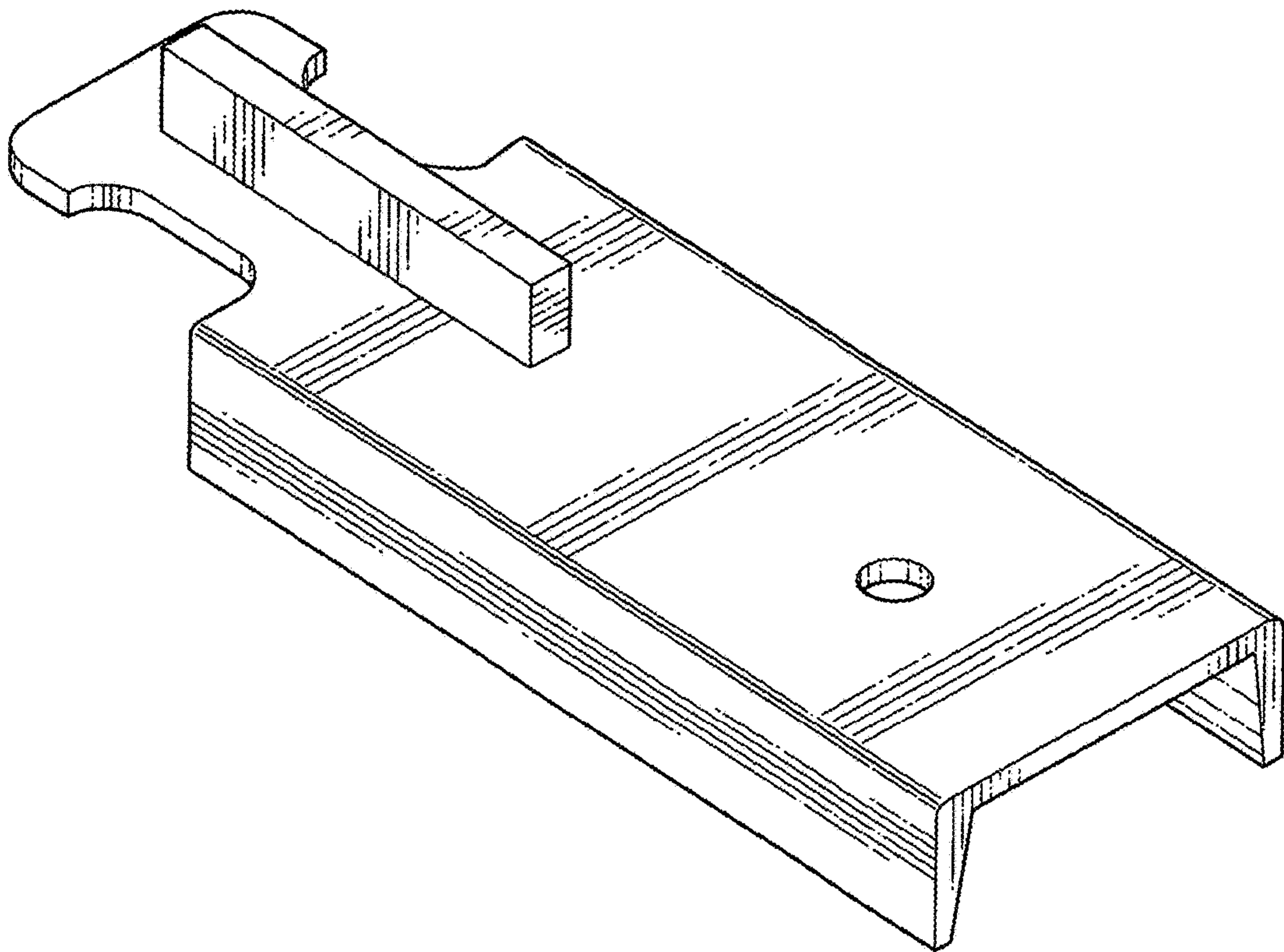


FIG. 1

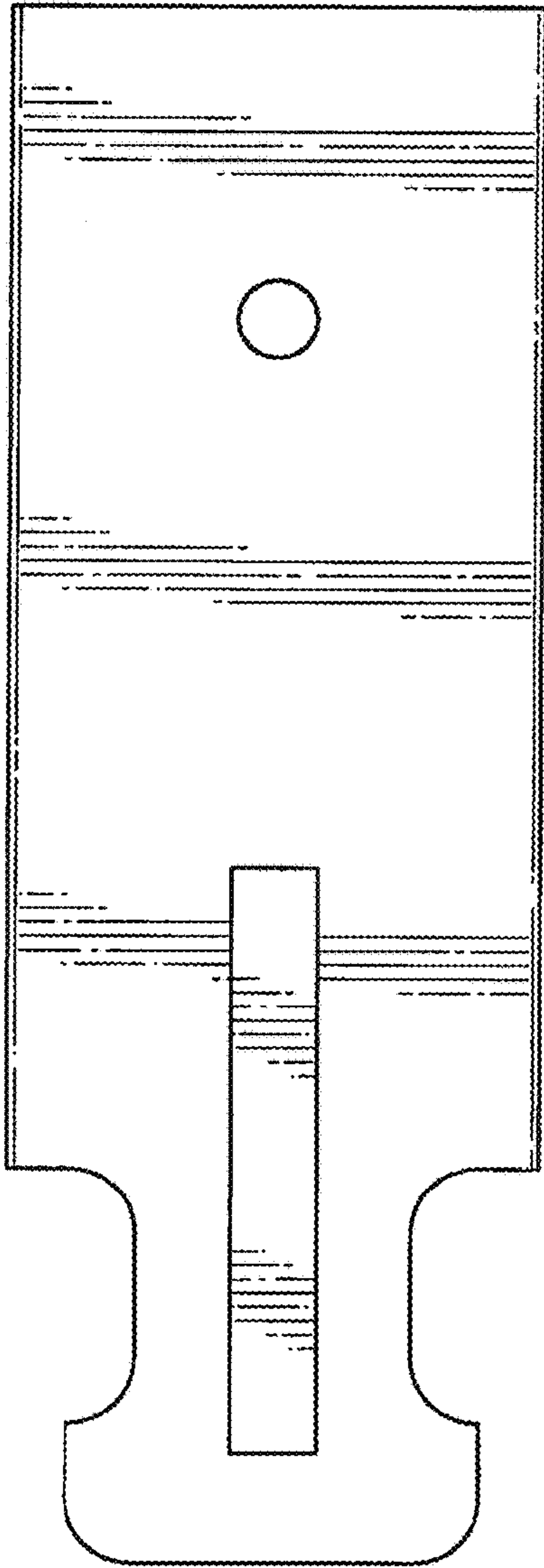


FIG. 2

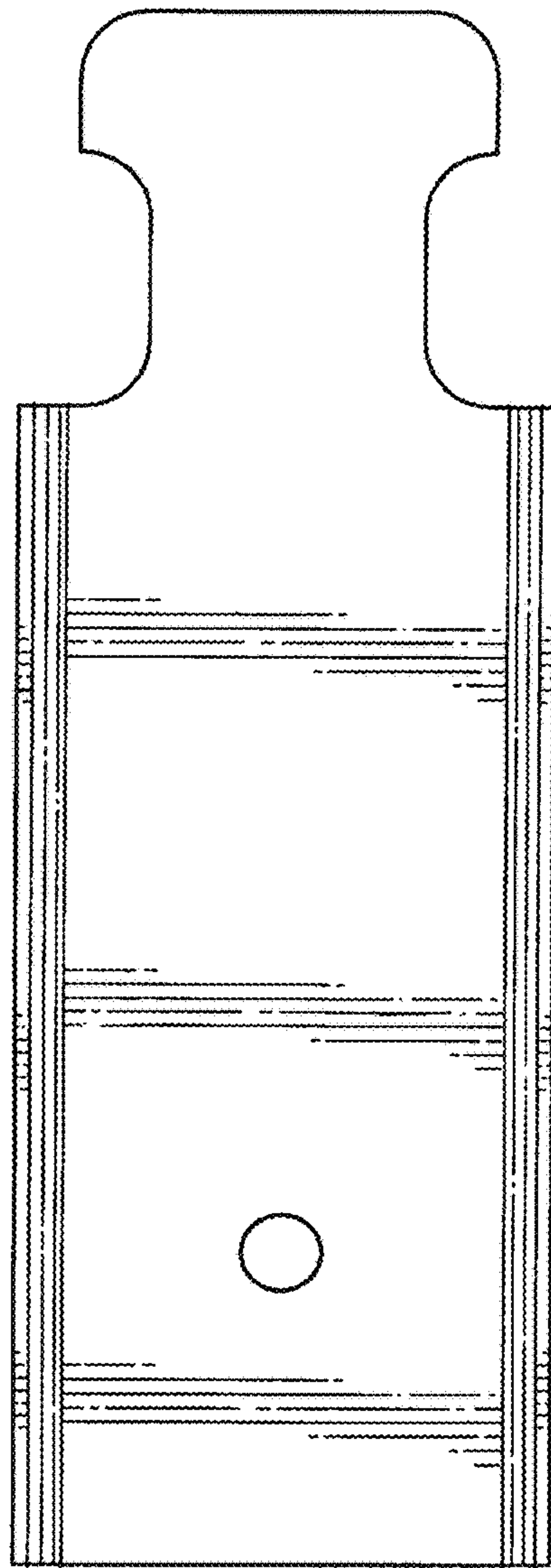


FIG. 3

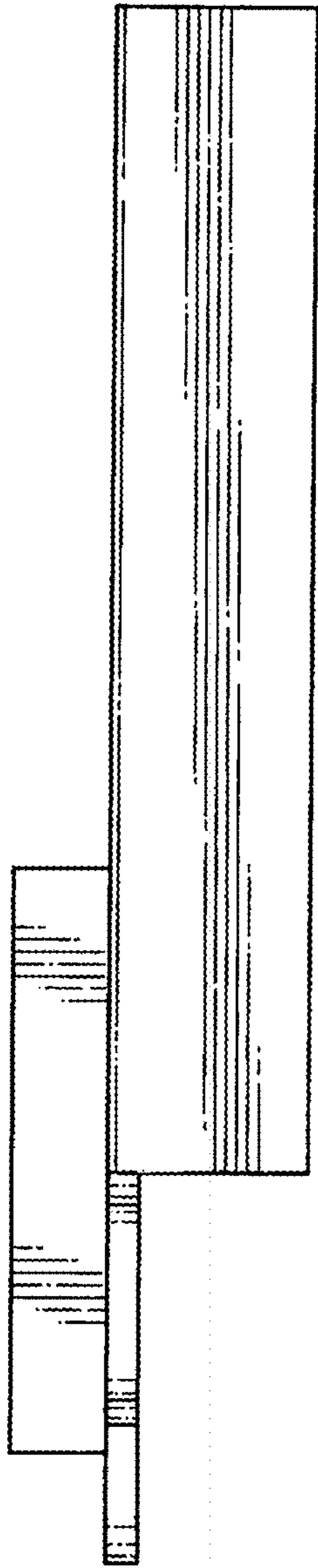


FIG. 4

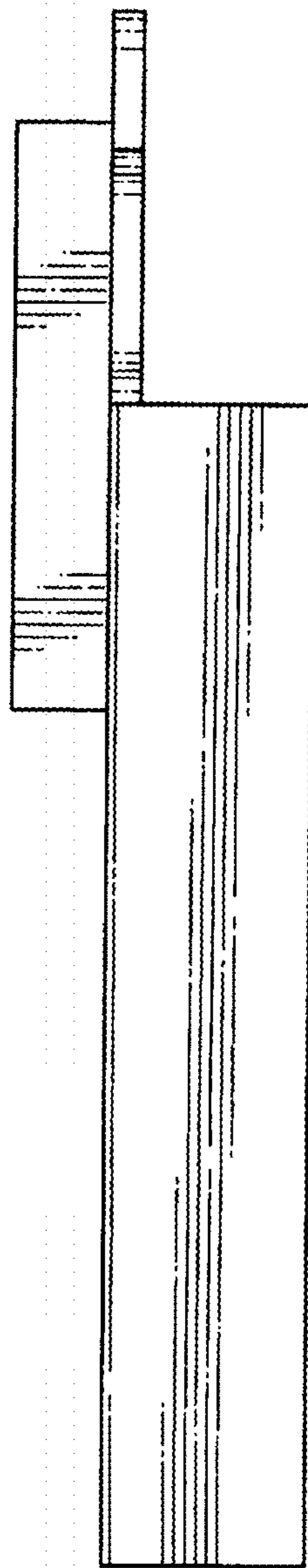


FIG. 5

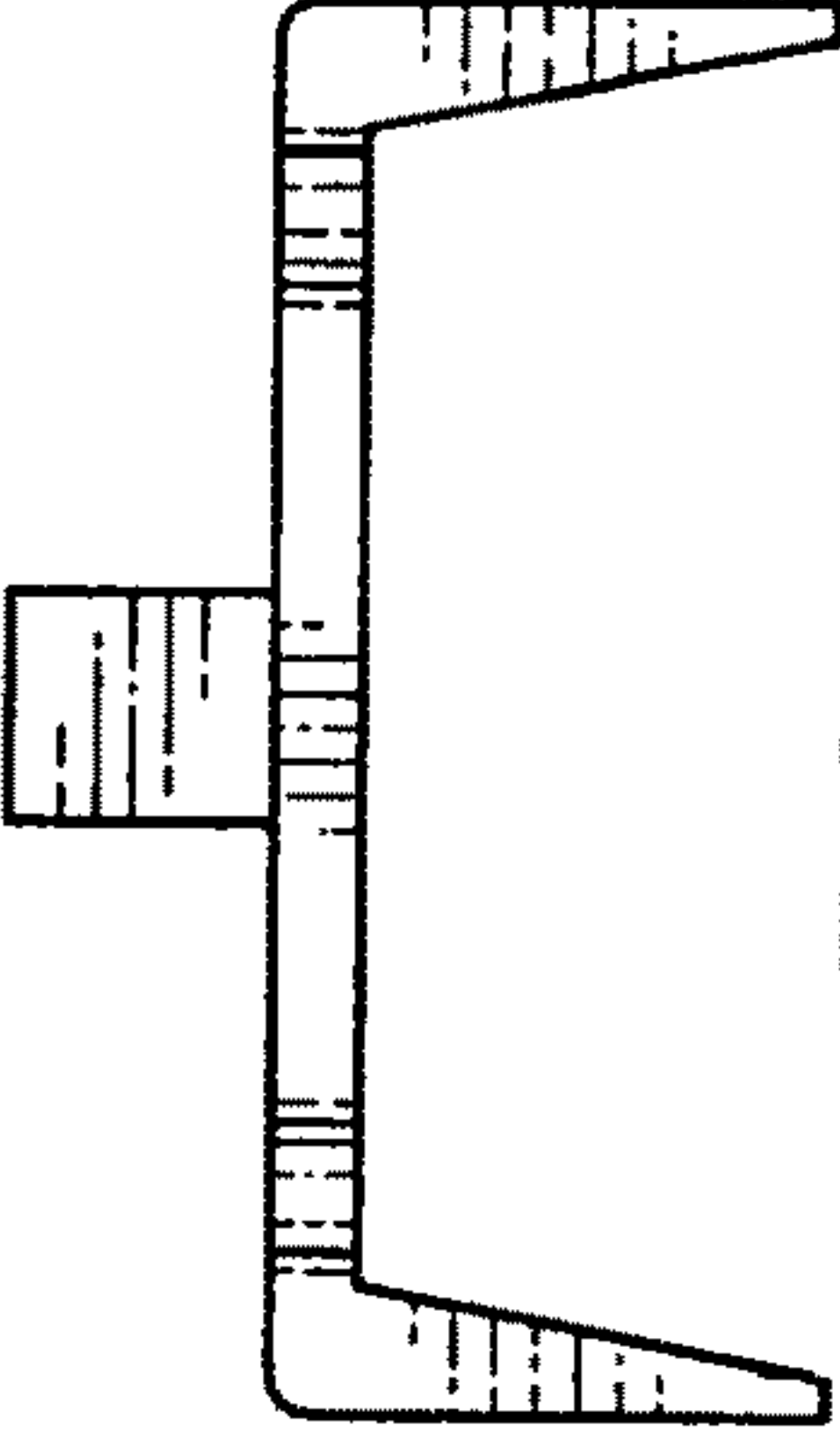


FIG. 6

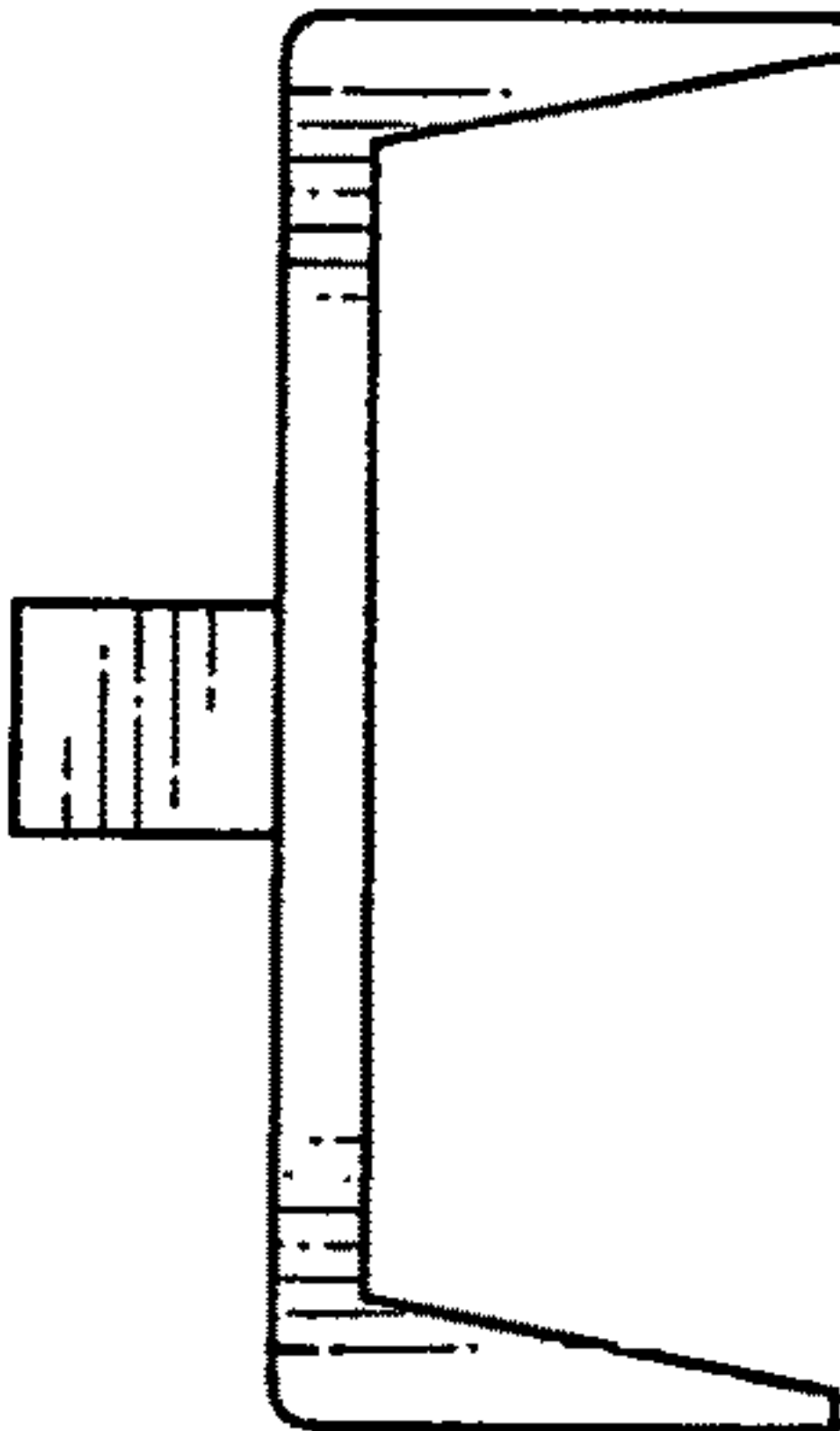


FIG. 7