



US00D822457S

(12) **United States Design Patent**
Treas

(10) **Patent No.:** **US D822,457 S**

(45) **Date of Patent:** **** Jul. 10, 2018**

(54) **SPRAY POLYURETHANE FOAM JACKET CLIP WITH ADDITIONAL SUPPORT**

(71) Applicant: **BB & F Holding Company LLC**,
Calvert City, KY (US)

(72) Inventor: **Jesse Treas**, Benton, KY (US)

(73) Assignee: **BB & F Holding Company LLC**,
Calvert City, KY (US)

(**) Term: **15 Years**

(21) Appl. No.: **29/598,891**

(22) Filed: **Mar. 29, 2017**

(51) **LOC (11) Cl.** **08-05**

(52) **U.S. Cl.**
USPC **D8/354; D8/396**

(58) **Field of Classification Search**
USPC D8/382, 394, 16, 19, 71, 349, 354, 388,
D8/396, 399, 499; D23/213, 223, 227,
D23/229, 233, 249, 259, 260
CPC ... B05B 11/042; B05B 11/047; B05B 7/0025;
B05B 1/1654; B05B 11/0029; B05B 1/02;
B05B 7/0018; B05B 1/12; B05B 1/16
See application file for complete search history.

(56) **References Cited**

U.S. PATENT DOCUMENTS

3,280,529	A *	10/1966	Reuss	E04C 5/203 52/677
3,490,699	A *	1/1970	Murray	B05B 1/12 239/458
D223,701	S *	5/1972	Lausch	D25/199
D252,253	S *	7/1979	Abney	D8/14
4,384,905	A	5/1983	Gros		
D347,164	S *	5/1994	Wodka	D8/395
5,316,247	A *	5/1994	Wodka	F16L 3/23 248/68.1
D349,833	S *	8/1994	Enos	D7/213

5,398,846	A *	3/1995	Corba	B05B 11/0016 222/1
D373,070	S *	8/1996	Kriegstein	D8/354
D406,350	S *	3/1999	Cutler	D24/206
5,888,392	A *	3/1999	Frizell	A47J 31/06 210/238
5,921,471	A *	7/1999	Vivier	B05B 7/0018 239/428.5
6,095,676	A *	8/2000	Kuan	B01F 7/26 366/256
6,385,938	B1 *	5/2002	Gavin	E04C 5/203 52/677
6,548,004	B2	4/2003	Born		
D558,338	S *	12/2007	Itoh	D24/112

(Continued)

Primary Examiner — Sandra S Snapp

Assistant Examiner — Ieisha N Price

(74) *Attorney, Agent, or Firm* — Julie Tennyson; Marcum Tennyson PLLC

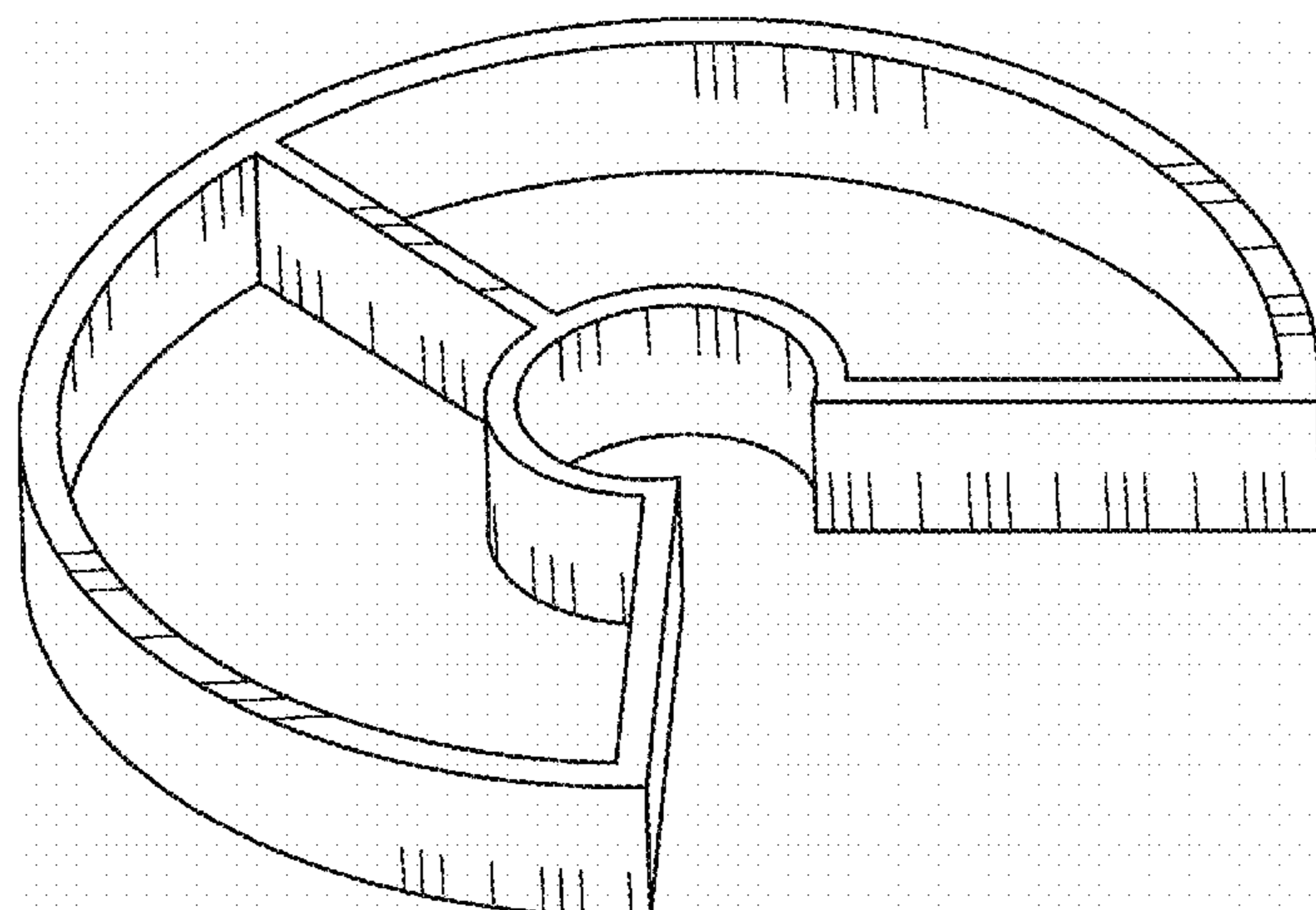
(57) **CLAIM**

I claim the ornamental design for a spray polyurethane foam jacket clip with additional support, as shown and described.

DESCRIPTION

FIG. 1 is a front elevational view of a spray polyurethane foam jacket clip with additional support.
 FIG. 2 is a left side view of a spray polyurethane foam jacket clip with additional support.
 FIG. 3 is a right side view of a spray polyurethane foam jacket clip with additional support.
 FIG. 4 is bottom view of a spray polyurethane foam jacket clip with additional support.
 FIG. 5 is a top view of a spray polyurethane foam jacket clip with additional support.
 FIG. 6 is a back view of a spray polyurethane foam jacket clip with additional support; and,
 FIG. 7 is a perspective view of a spray polyurethane foam jacket clip with additional support.

1 Claim, 7 Drawing Sheets



(56)

References Cited

U.S. PATENT DOCUMENTS

D597,828 S * 8/2009 Tanaka D8/354
D735,852 S * 8/2015 Minnelli A61B 1/00128
D24/129
D771,014 S * 11/2016 Dubbe D14/206
D795,061 S * 8/2017 Bacallao D6/699.4
2005/0067502 A1* 3/2005 Bouic B05B 7/2408
239/345
2016/0039596 A1* 2/2016 Nelson B05B 1/34
239/463
2016/0067721 A1* 3/2016 Kawamori B05B 1/02
239/498

* cited by examiner

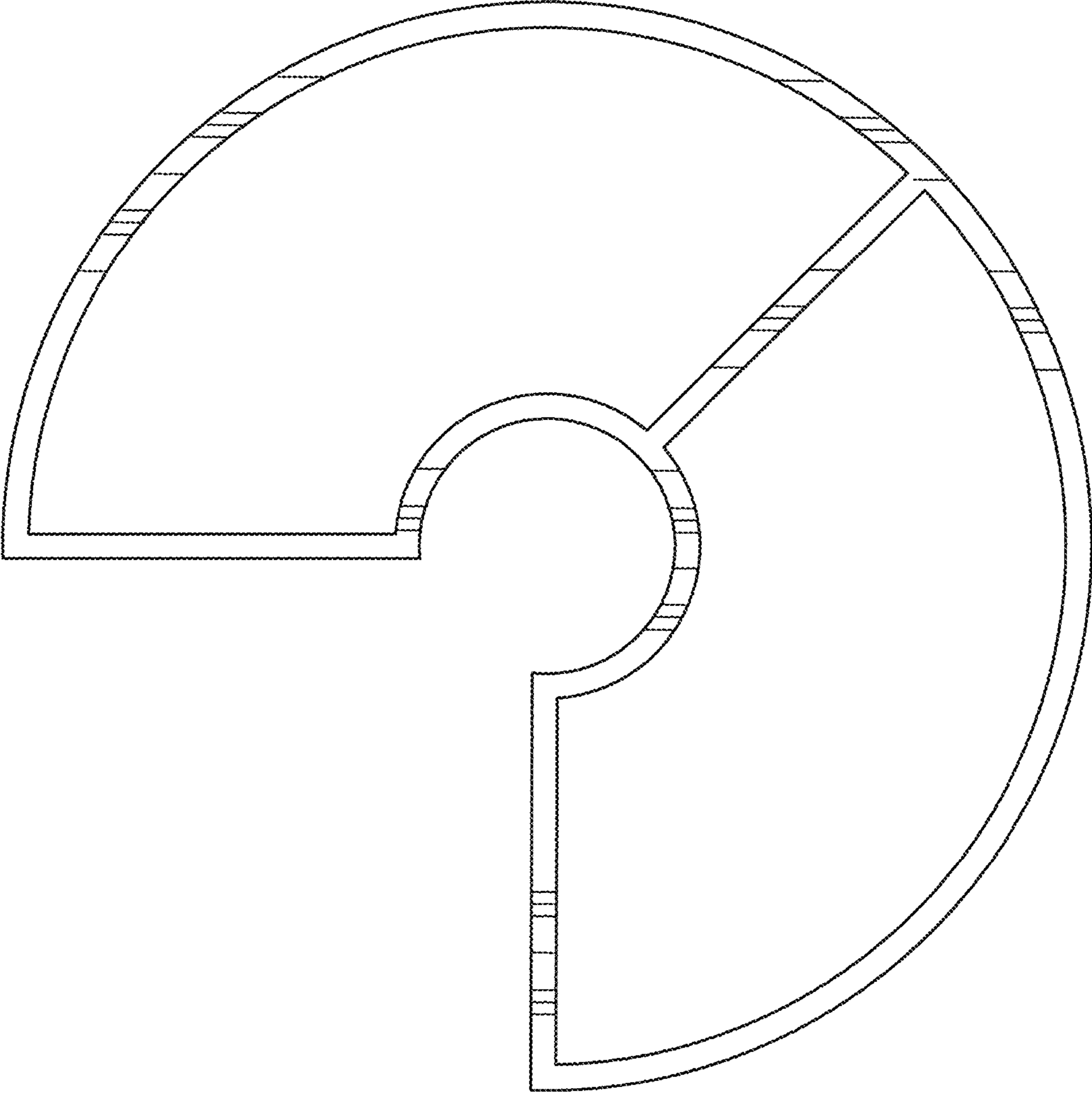


Figure 1

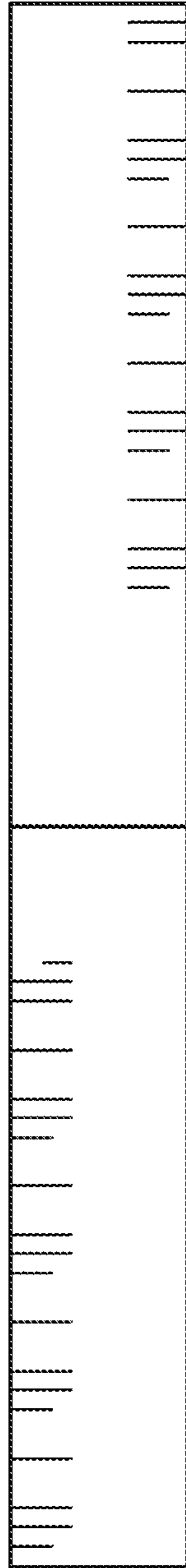


Figure 2

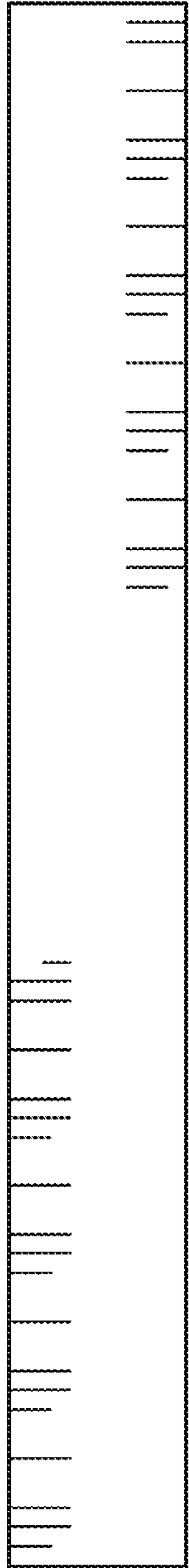


Figure 3

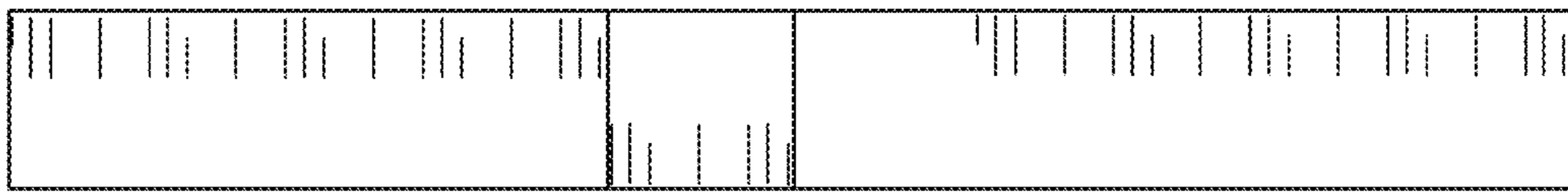


Figure 4



Figure 5

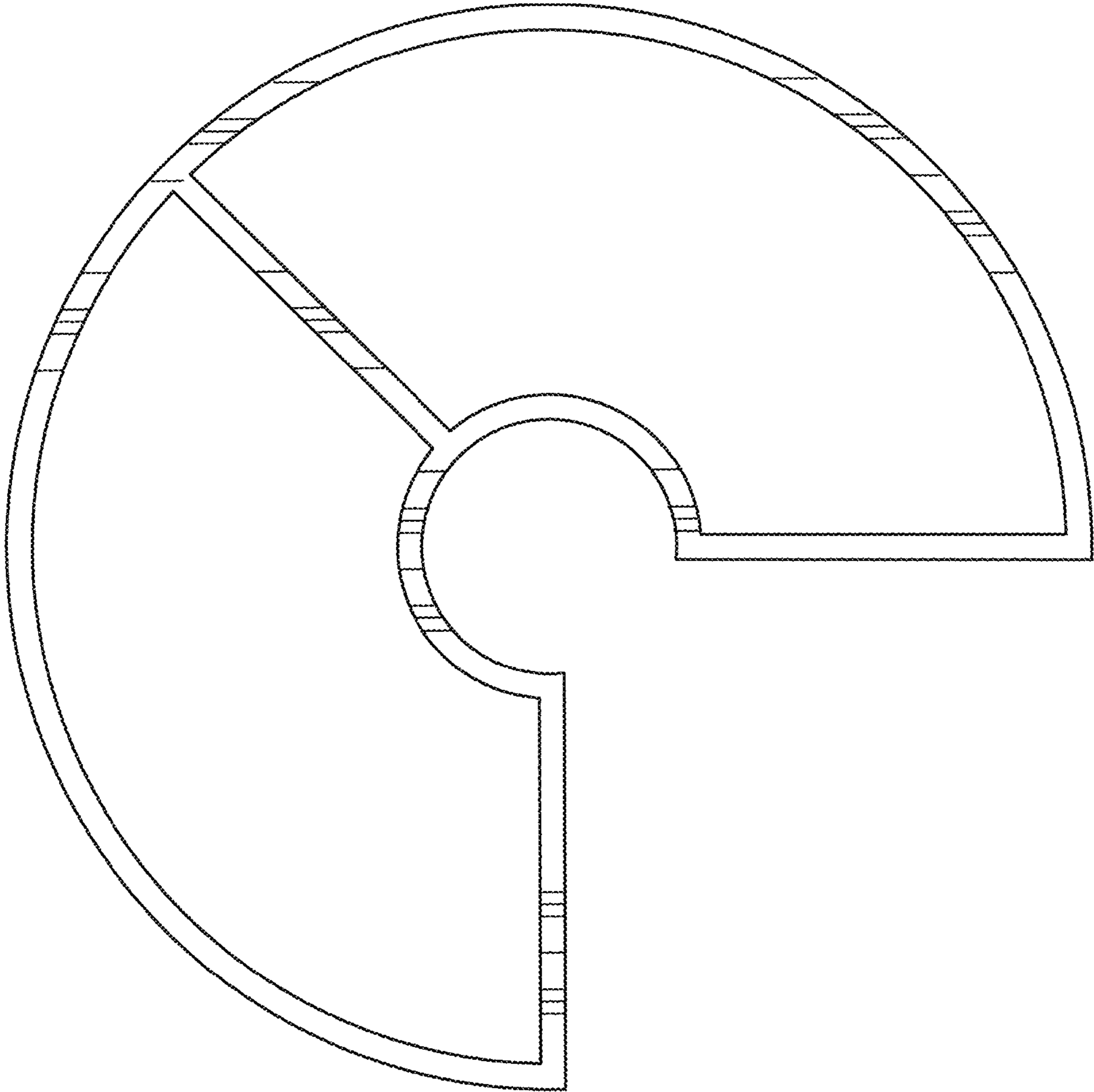


Figure 6

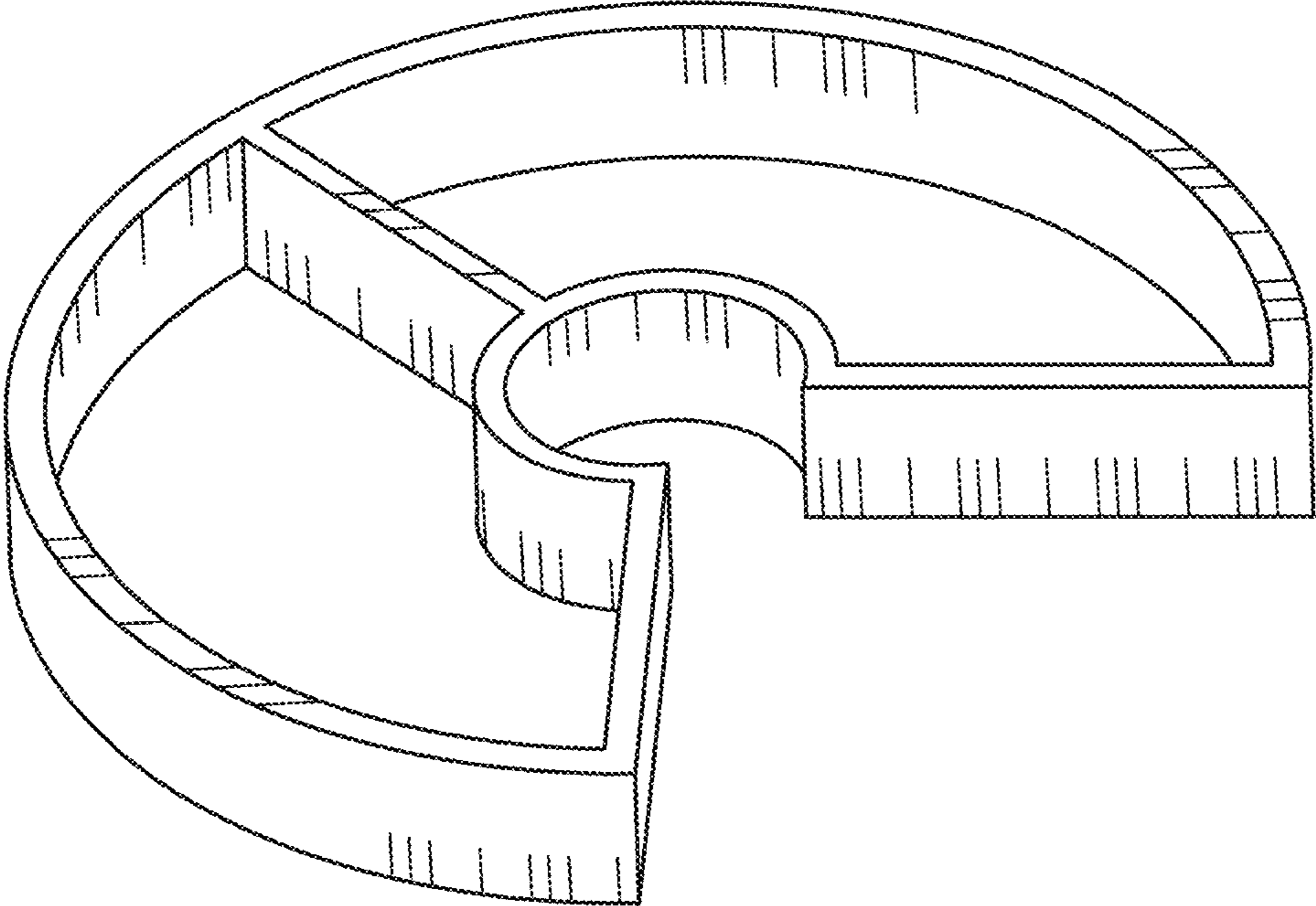


Figure 7