



US00D822456S

(12) **United States Design Patent** (10) **Patent No.:** **US D822,456 S**
Treas (45) **Date of Patent:** **** Jul. 10, 2018**

(54) **SPRAY POLYURETHANE FOAM JACKET CLIP**

(71) Applicant: **BB & F Holding Company LLC**,
Calvert City, KY (US)

(72) Inventor: **Jesse Treas**, Benton, KY (US)

(73) Assignee: **BB & F Holding Company LLC**,
Calvert City, KY (US)

(**) Term: **15 Years**

(21) Appl. No.: **29/598,865**

(22) Filed: **Mar. 29, 2017**

(51) **LOC (11) Cl.** **08-05**

(52) **U.S. Cl.**
USPC **D8/354; D8/396**

(58) **Field of Classification Search**
USPC D8/382, 394, 16, 19, 71, 349, 354, 388,
D8/396, 399, 499; D23/213, 223, 227,
D23/229, 233, 249, 259, 260
CPC ... B05B 11/042; B05B 11/047; B05B 7/0025;
B05B 1/1654; B05B 11/0029; B05B 1/02;
B05B 7/0018; B05B 1/12; B05B 1/16
See application file for complete search history.

(56) **References Cited**

U.S. PATENT DOCUMENTS

- 3,280,529 A * 10/1966 Reuss E04C 5/203
52/677
- 3,490,699 A * 1/1970 Murray B05B 1/12
239/458
- D223,701 S * 5/1972 Lausch D25/199
- D252,253 S * 7/1979 Abney D8/14
- 4,384,905 A * 5/1983 Gros
- D347,164 S * 5/1994 Wodka D8/395
- 5,316,247 A * 5/1994 Wodka F16L 3/23
248/68.1
- D349,833 S * 8/1994 Enos D7/213

- 5,398,846 A * 3/1995 Corba B05B 11/0016
222/1
- D373,070 S * 8/1996 Kriegstein D8/354
- D406,350 S * 3/1999 Cutler D24/206
- 5,888,392 A * 3/1999 Frizell A47J 31/06
210/238
- 5,921,471 A * 7/1999 Vivier B05B 7/0018
239/428.5
- 6,095,676 A * 8/2000 Kuan B01F 7/26
366/256
- 6,385,938 B1 * 5/2002 Gavin E04C 5/203
52/677
- 6,548,004 B2 4/2003 Born
- D558,338 S * 12/2007 Itoh D24/112
- D597,828 S * 8/2009 Tanaka D8/354

(Continued)

Primary Examiner — Sandra S Snapp

Assistant Examiner — Ieisha N Price

(74) *Attorney, Agent, or Firm* — Julie Tennyson; Marcum
Tennyson PLLC

(57) **CLAIM**

I claim the ornamental design for a spray polyurethane foam jacket clip, as shown and described.

DESCRIPTION

FIG. 1 is a front elevational view of a spray polyurethane foam jacket clip.

FIG. 2 is a left side view of a spray polyurethane foam jacket clip.

FIG. 3 is a right side view of a spray polyurethane foam jacket clip.

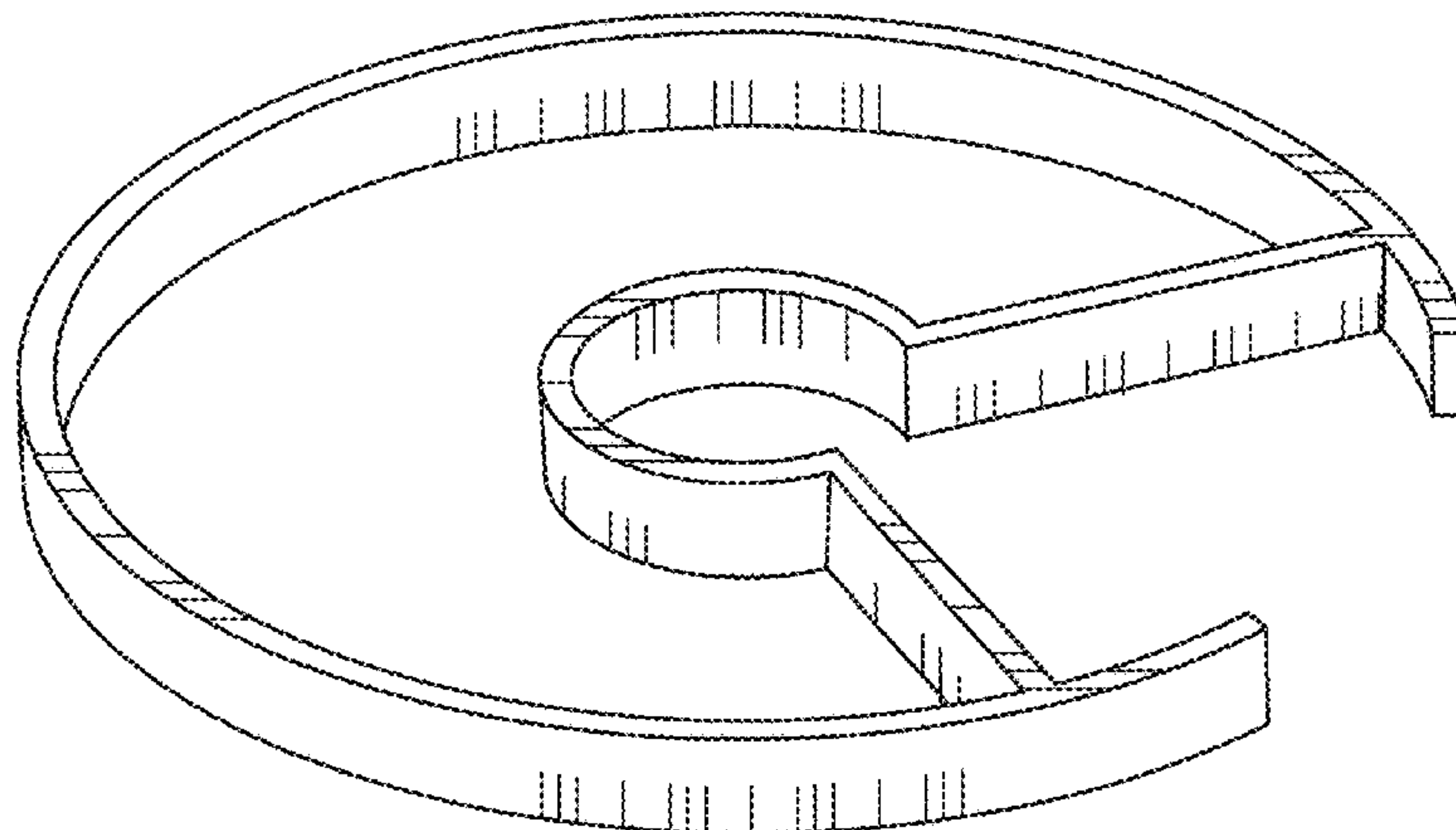
FIG. 4 is bottom view of a spray polyurethane foam jacket clip.

FIG. 5 is a top view of a spray polyurethane foam jacket clip.

FIG. 6 is a back view of a spray polyurethane foam jacket clip; and,

FIG. 7 is a perspective view of a spray polyurethane foam jacket clip.

1 Claim, 7 Drawing Sheets



(56)

References Cited

U.S. PATENT DOCUMENTS

D735,852 S * 8/2015 Minnelli A61B 1/00128
D24/129
D771,014 S * 11/2016 Dubbe D14/206
D795,061 S * 8/2017 Bacallao D6/699.4
2005/0067502 A1* 3/2005 Bouic B05B 7/2408
239/345
2016/0039596 A1* 2/2016 Nelson B05B 1/34
239/463
2016/0067721 A1* 3/2016 Kawamori B05B 1/02
239/498

* cited by examiner

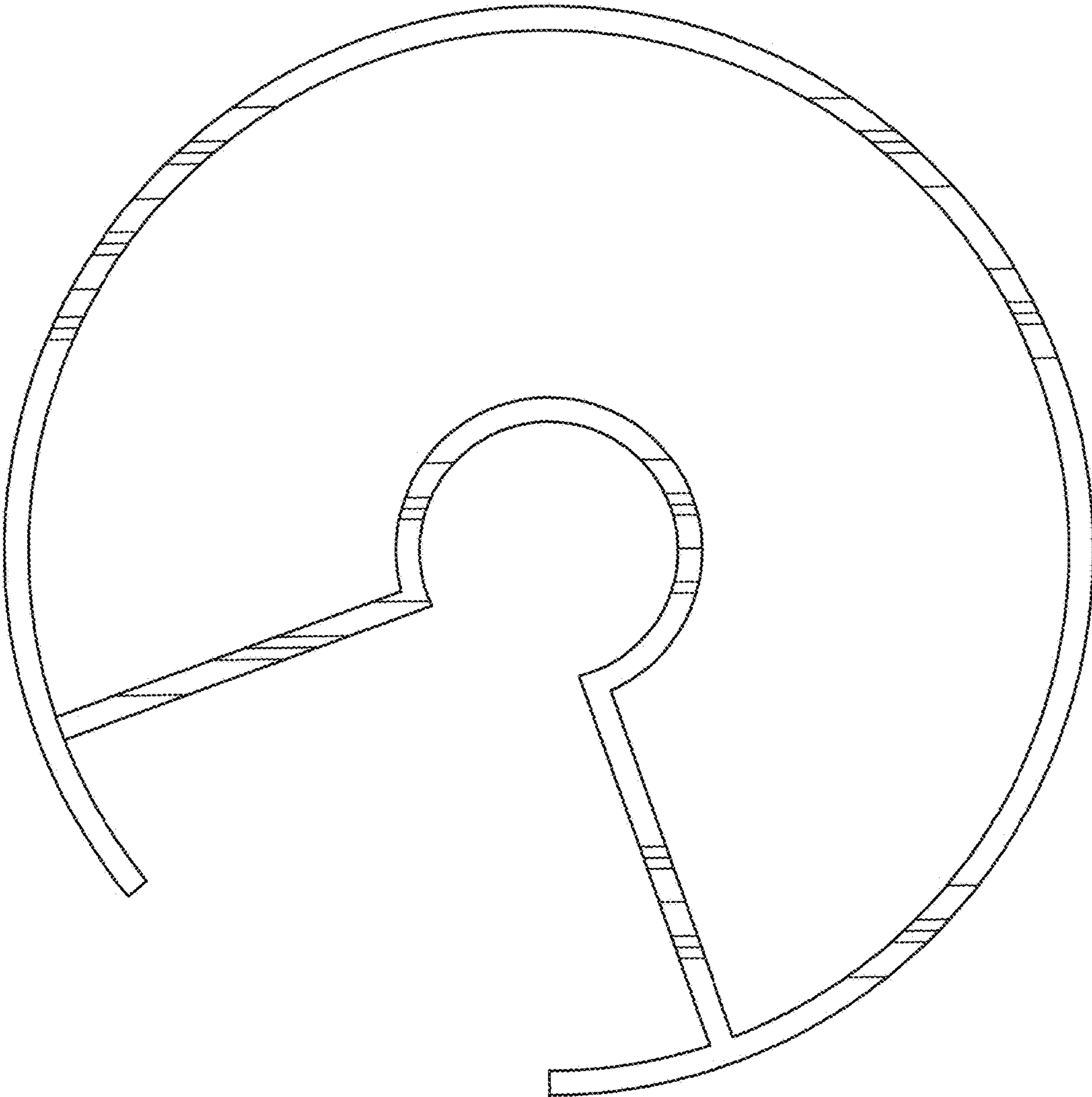


Figure 1

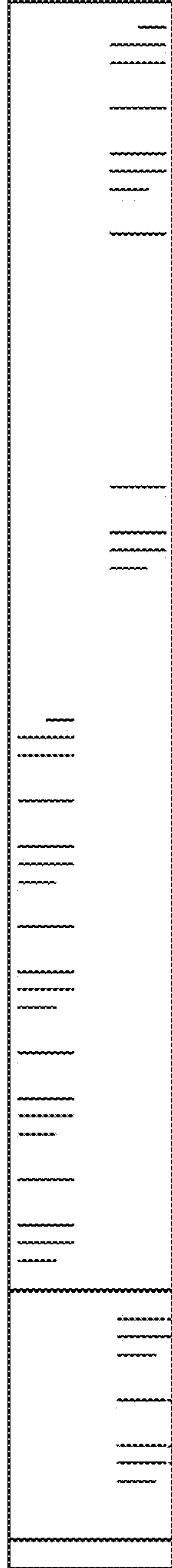


Figure 2

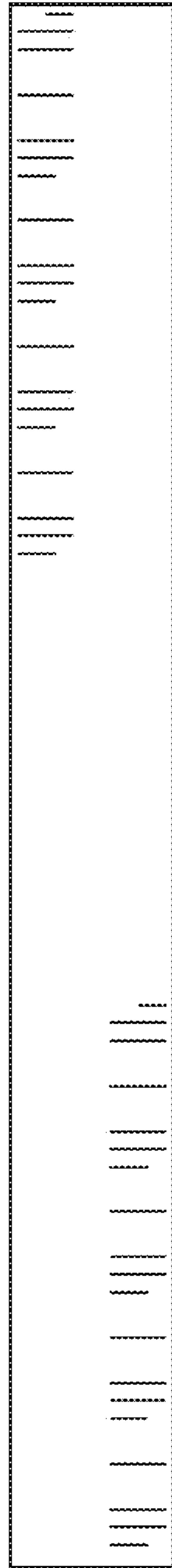


Figure 3



Figure 4



Figure 5

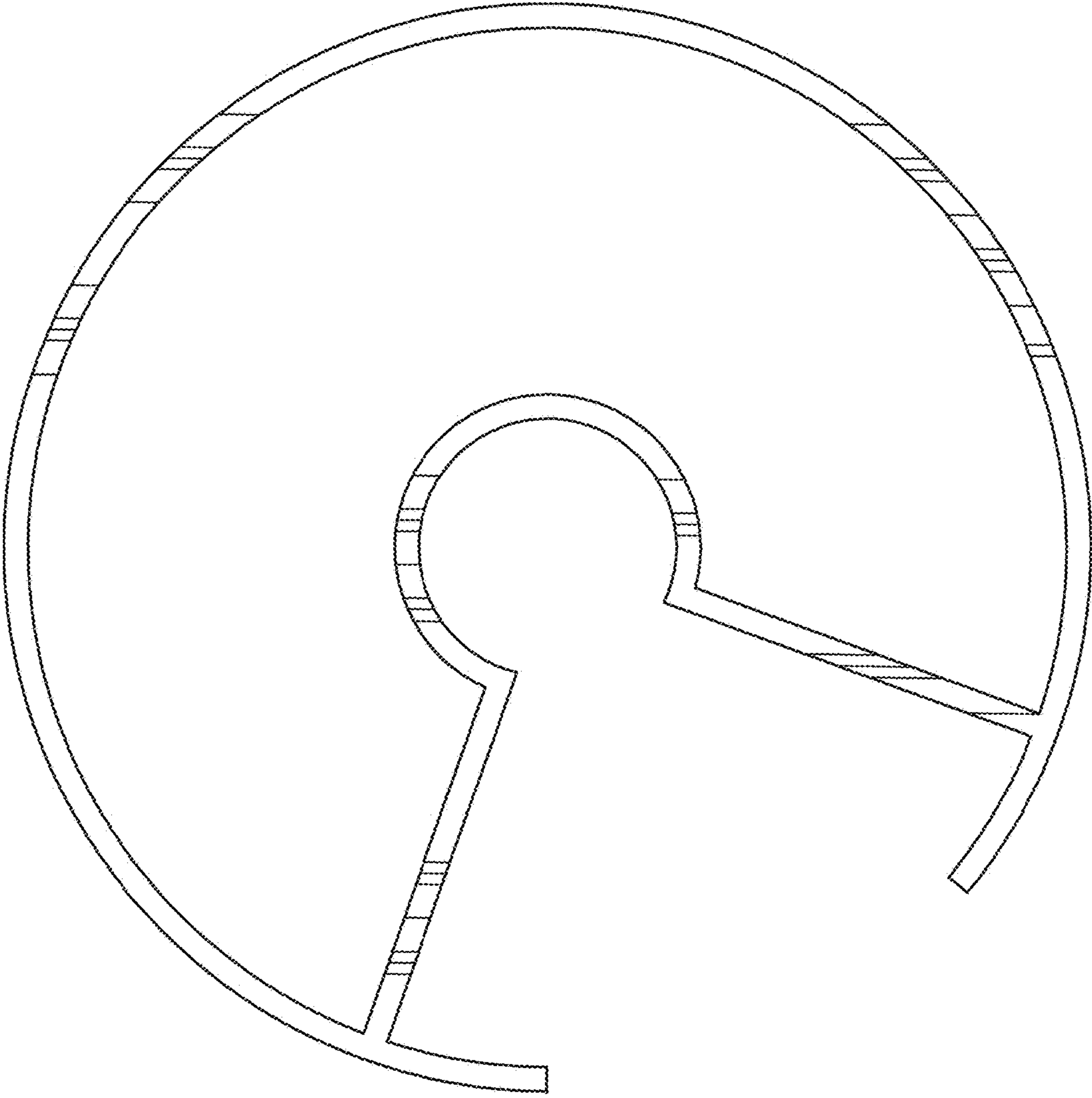


Figure 6

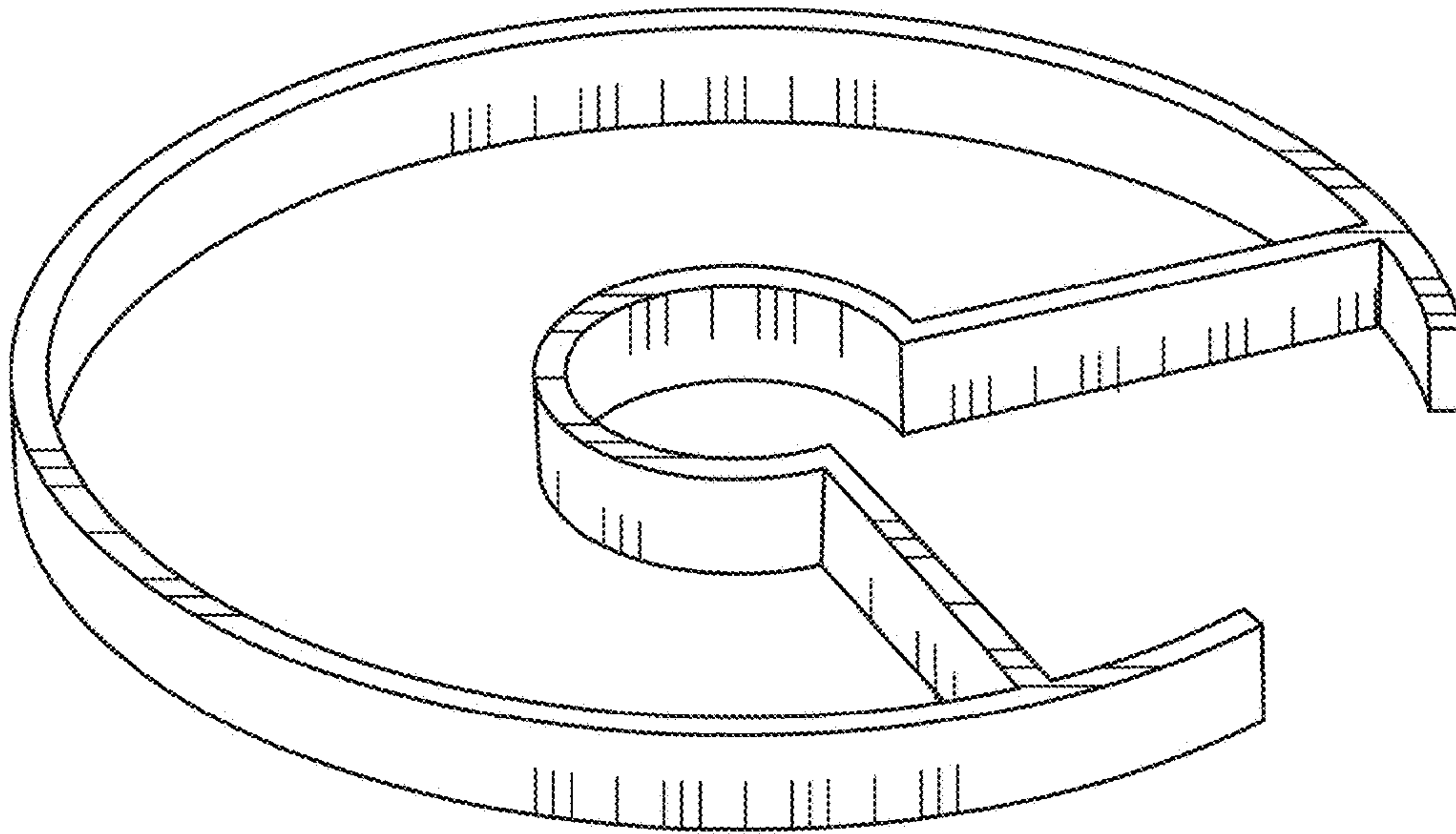


Figure 7