



US00D822455S

(12) **United States Design Patent**
Stahl et al.

(10) **Patent No.:** **US D822,455 S**
(45) **Date of Patent:** **** Jul. 10, 2018**

(54) **BRIDGING CLIP WITH A RIB**

(71) Applicant: **CLARKWESTERN DIETRICH BUILDING SYSTEMS LLC**, West Chester, OH (US)
(72) Inventors: **Gregg A. Stahl**, Lebanon, OH (US); **Thomas J. Lawson**, West Chester, OH (US); **Nagaraj Eshwar**, Mason, OH (US)
(73) Assignee: **Clarkwestern Dietrich Building Systems LLC**, West Chester, OH (US)

(**) Term: **15 Years**

(21) Appl. No.: **29/595,006**

(22) Filed: **Feb. 24, 2017**

(51) **LOC (11) Cl.** **08-05**

(52) **U.S. Cl.**
USPC **D8/354**

(58) **Field of Classification Search**
USPC D8/382, 394, 16, 349, 354, 371, 499;
D25/61, 119, 121, 122, 123, 133, 164,
D25/199
CPC E04B 2/763; E04B 1/1903; E04B 2/7457;
E04C 3/07; E04C 3/02; E04C 3/04; E04C
2003/026; E04C 2003/0473; F16B
7/0493;

(Continued)

(56) **References Cited**

U.S. PATENT DOCUMENTS

529,154 A 11/1894 Banks
D28,565 S 5/1898 Branch
719,191 A 1/1903 Collins

(Continued)

FOREIGN PATENT DOCUMENTS

CA 33013 S 10/1970
CA 2386020 C 7/2005

(Continued)

OTHER PUBLICATIONS

The Steel Network (TSN), BridgeBar®, Product Information, downloaded from <http://www.steelnetwork.com/Product/BridgeBar> on Dec. 31, 2016, 3 pgs.

(Continued)

Primary Examiner — Sandra S Snapp

Assistant Examiner — Ieisha N Price

(74) *Attorney, Agent, or Firm* — Frost Brown Todd, LLC

(57) **CLAIM**

The ornamental design for a bridging clip with a rib, as shown and described.

DESCRIPTION

FIG. 1 is a top perspective view of a bridging clip with a rib, showing our new design;

FIG. 2 is a bottom perspective view of the bridging clip with a rib of FIG. 1;

FIG. 3 is a front elevational view of the bridging clip with a rib of FIG. 1, the rear elevational view being a mirror image thereof;

FIG. 4 is a left elevational view of the bridging clip with a rib of FIG. 1;

FIG. 5 is a right elevational view of the bridging clip with a rib of FIG. 1;

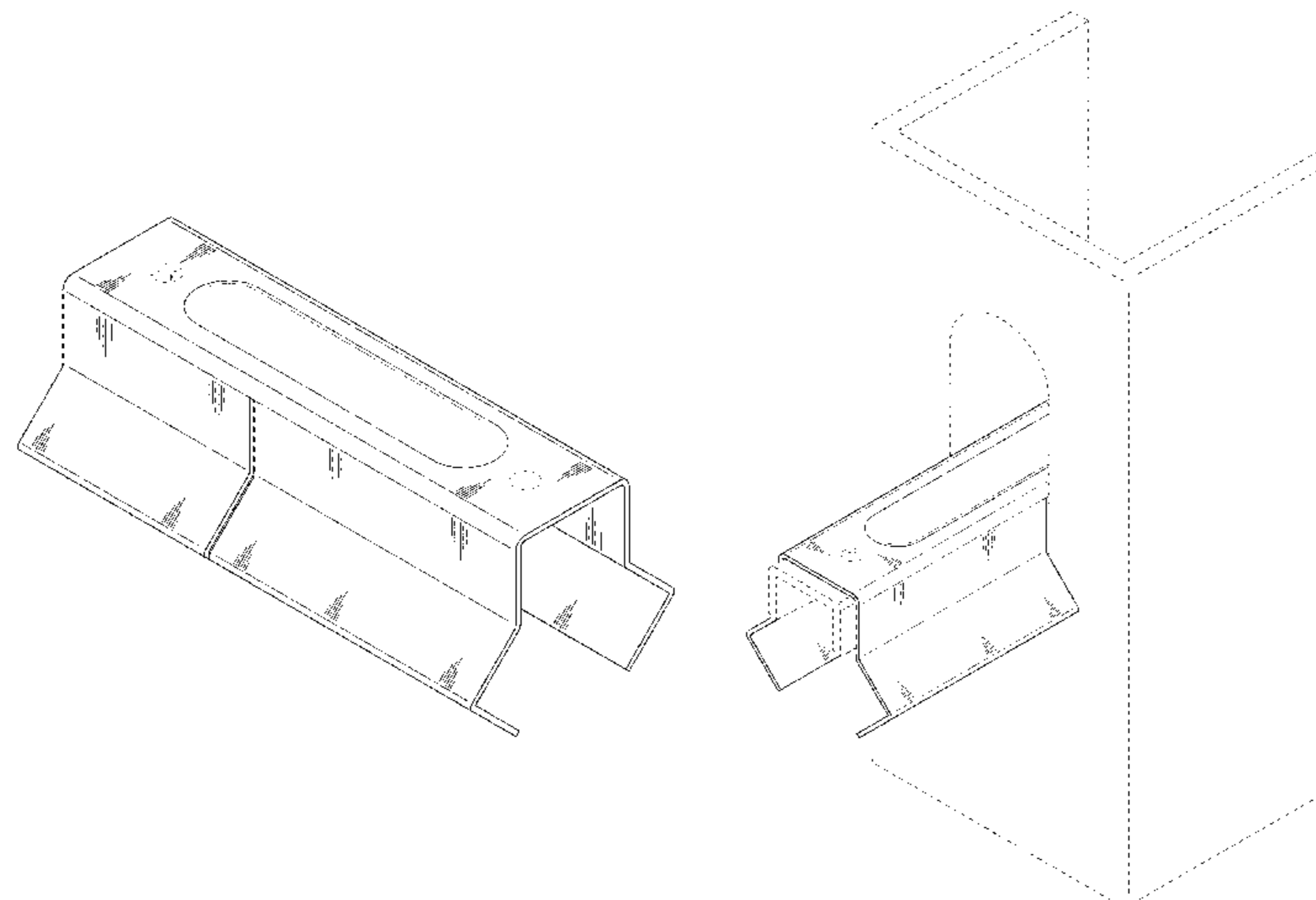
FIG. 6 is a top plan view of the bridging clip with a rib of FIG. 1;

FIG. 7 is a bottom plan view of the bridging clip with a rib of FIG. 1; and,

FIG. 8 is a top perspective view of the bridging clip with a rib of FIG. 1 shown in conjunction with a horizontal bridging member and a vertical stud.

The broken lines shown in the drawings are included for purposes of illustrating portions of the bridging clip with a rib or environmental structure that form no part of the claimed design.

1 Claim, 6 Drawing Sheets



US D822,455 S

(58) **Field of Classification Search**
 CPC Y10T 403/50; Y10T 403/3906; Y10T
 403/583; Y10T 403/581
 See application file for complete search history.

(56) **References Cited**
 U.S. PATENT DOCUMENTS

992,941 A 5/1911 Danielson
 1,101,745 A 6/1914 Jones
 1,791,197 A 2/1931 Dickson
 2,356,309 A * 8/1944 Garbe E04B 1/08
 52/236.7
 2,365,501 A 12/1944 Walstrom
 D158,461 S * 5/1950 Hammerly D25/119
 3,083,794 A 4/1963 Stovail
 3,126,928 A 3/1964 McMillan
 D200,099 S * 1/1965 Attwood D25/121
 3,322,447 A 5/1967 Biggs
 D211,082 S * 5/1968 La Londe D25/121
 D217,223 S 4/1970 Knohl
 D221,141 S * 7/1971 Wormser D20/44
 3,653,172 A 4/1972 Schwartz
 3,778,952 A 12/1973 Soucy
 3,897,163 A 7/1975 Holmes
 4,018,020 A 4/1977 Sauer et al.
 4,027,453 A 6/1977 Bridge
 4,043,689 A 8/1977 Spencer
 4,102,587 A * 7/1978 Herb E04G 17/001
 403/205
 4,128,979 A 12/1978 Price
 4,140,417 A 2/1979 Danielson et al.
 4,174,911 A 11/1979 Maccario et al.
 4,208,851 A 6/1980 Sauer
 4,235,054 A 11/1980 Cable et al.
 D257,663 S * 12/1980 McKee D8/354
 D257,664 S * 12/1980 McKee D8/354
 D264,756 S 6/1982 Anderson
 4,426,822 A 1/1984 Gailey
 4,428,172 A 1/1984 Larsson
 4,448,004 A 5/1984 Thorsell
 4,464,074 A 8/1984 Green
 4,516,874 A 5/1985 Yang et al.
 4,586,841 A 5/1986 Hunter
 4,625,415 A 12/1986 Diamontis
 4,693,047 A 9/1987 Menchetti
 4,791,766 A 12/1988 Egri, II
 4,809,476 A 3/1989 Satchell
 4,840,005 A 6/1989 Cochrane
 4,850,169 A 7/1989 Burkstrand et al.
 4,914,878 A 4/1990 Tamaki et al.
 4,951,436 A 8/1990 Burkstrand et al.
 5,040,345 A 8/1991 Gilmour
 5,092,100 A 3/1992 Lambert et al.
 5,127,760 A 7/1992 Brady
 5,155,962 A 10/1992 Burkstrand et al.
 5,189,857 A 3/1993 Herren
 5,287,664 A 2/1994 Schiller
 5,325,651 A 7/1994 Meyer et al.
 5,363,622 A 11/1994 Sauer
 5,403,110 A 4/1995 Sammann
 5,605,024 A 2/1997 Sucato et al.
 5,671,580 A 9/1997 Chou
 5,720,138 A 2/1998 Johnson
 5,784,850 A 7/1998 Elderson
 D398,835 S 9/1998 Coll et al.
 5,876,006 A 3/1999 Sharp
 5,899,041 A 5/1999 Durin
 5,904,023 A 5/1999 diGirolamo et al.
 6,021,618 A 2/2000 Elderson
 D425,403 S 5/2000 Medina
 6,164,028 A 12/2000 Hughes
 6,209,268 B1 * 4/2001 Schmidt E04B 1/2608
 52/665
 6,242,698 B1 6/2001 Baker, III et al.
 6,260,318 B1 7/2001 Herren
 6,290,214 B1 9/2001 DeSouza

6,301,854 B1 10/2001 Daudet et al.
 6,315,137 B1 11/2001 Mulford
 6,360,510 B1 * 3/2002 Woodrum E04B 2/62
 52/36.2
 6,418,695 B1 7/2002 Daudet
 D463,575 S 9/2002 Daudet
 D467,007 S 12/2002 Daudet et al.
 D468,792 S 1/2003 Jacoway et al.
 6,644,603 B2 11/2003 Bailleux
 D483,254 S 12/2003 Sels
 6,694,695 B2 2/2004 Collins et al.
 6,701,689 B2 3/2004 diGirolamo
 6,702,270 B1 3/2004 Reschke
 6,708,460 B1 3/2004 Elderson
 6,739,562 B2 5/2004 Rice
 6,792,733 B2 9/2004 Wheeler
 6,920,734 B2 7/2005 Elderson
 D513,171 S 12/2005 Richardson
 7,017,310 B2 3/2006 Brunt
 7,021,021 B2 4/2006 Saldana
 7,104,024 B1 9/2006 diGirolamo et al.
 7,159,369 B2 1/2007 Elderson
 7,168,219 B2 1/2007 Elderson
 D554,978 S 11/2007 Radke
 D558,039 S 12/2007 Skinner
 7,398,621 B2 7/2008 Banta
 D579,321 S 10/2008 Townley
 D580,260 S * 11/2008 Collins D8/382
 7,503,150 B1 3/2009 diGirolamo et al.
 D590,697 S 4/2009 Townley
 D599,193 S * 9/2009 Meyer D8/354
 D600,535 S 9/2009 Rix
 7,621,096 B2 11/2009 Ellis
 D611,887 S 3/2010 Peschmann
 D615,387 S 5/2010 Prichard
 D615,848 S * 5/2010 Prichard D8/354
 7,739,850 B2 6/2010 Daudet
 D618,992 S * 7/2010 Rix D8/354
 D621,953 S 8/2010 Peifer
 D625,588 S 10/2010 Norris et al.
 7,836,657 B1 11/2010 diGirolamo
 D634,613 S 3/2011 Massie et al.
 D634,614 S 3/2011 Massie et al.
 D639,641 S 6/2011 Massie et al.
 7,955,027 B2 6/2011 Nourian et al.
 8,011,160 B2 9/2011 Rice
 8,083,187 B2 12/2011 Bernard et al.
 D654,188 S 2/2012 Hanlon
 D656,006 S * 3/2012 Underkofler D8/380
 D656,246 S 3/2012 Hanlon
 D656,251 S 3/2012 Underkofler et al.
 D657,073 S 4/2012 Reves
 D657,891 S 4/2012 Jones
 8,205,402 B1 6/2012 diGirolamo et al.
 D667,718 S 9/2012 Preda
 8,387,321 B2 3/2013 diGirolamo et al.
 D682,069 S 5/2013 Lehane et al.
 D692,746 S * 11/2013 Lawson E04B 2/763
 D8/394
 8,590,255 B2 11/2013 Daudet et al.
 8,672,600 B2 * 3/2014 Reznar E04F 15/04
 411/457
 8,813,456 B2 8/2014 Lin et al.
 D718,884 S 12/2014 Thrush et al.
 9,016,024 B1 4/2015 Daudet
 D729,410 S 5/2015 Lopez
 D734,119 S 7/2015 Kufner et al.
 D736,065 S 8/2015 Castellano
 9,109,361 B2 * 8/2015 Daudet E04C 3/07
 D746,669 S * 1/2016 McBride E04B 1/40
 D25/121
 9,523,196 B2 12/2016 Rice
 9,732,520 B2 8/2017 Daudet et al.
 9,849,497 B2 12/2017 Daudet et al.
 2002/0046525 A1 * 4/2002 Rice E04B 2/7457
 52/481.1
 2003/0145537 A1 8/2003 Bailey
 2003/0167722 A1 9/2003 Klein et al.

(56)

References Cited

U.S. PATENT DOCUMENTS

2007/0251186 A1 11/2007 Rice
 2008/0289275 A1* 11/2008 Ellis E04B 2/7457
 52/288.1
 2017/0191254 A1 7/2017 Daudet

FOREIGN PATENT DOCUMENTS

CA 2370203 C 12/2005
 CA 116660 S 11/2007
 CA 2304264 C 10/2008
 CA 132958 S 7/2010
 CA 132960 S 7/2010
 CA 134531 S 10/2010
 CA 140795 S 1/2012
 CA 142290 S 4/2012
 CA 2791958 A1 4/2013
 CA 152547 S 4/2014
 CA 2905826 A1 9/2014

CA 158874 S 4/2015
 CA 2880759 A1 2/2016
 CA 2903509 A1 3/2016
 EP 2 395 168 B1 5/2015
 WO WO 2014/149102 A1 9/2014
 WO WO 2014/158259 10/2014

OTHER PUBLICATIONS

The Steel Network (TSN), BridgeBar®, Technical Sheet, dated Nov. 20, 2013, downloaded from <http://www.steelnetwork.com/Product/BridgeBar> on Dec. 31, 2016, 1 pg.
 ClarkDietrich Building Systems, TradeReady® Spazzer® 9200 Spacing Bar, Spazzer 9200 (Interior) Bridging and Spacing Bar, Product Submittal Sheet, dated May 20, 2014, 1 pg.
 Design U.S. Appl. No. 29/595,010, filed Feb. 24, 2017.
 Design U.S. Appl. No. 29/595,012, filed Feb. 24, 2017.
 U.S. Office Action, Non-Final, dated Feb. 23, 2018 for U.S. Appl. No. 29/595,010, 7 pgs.

* cited by examiner

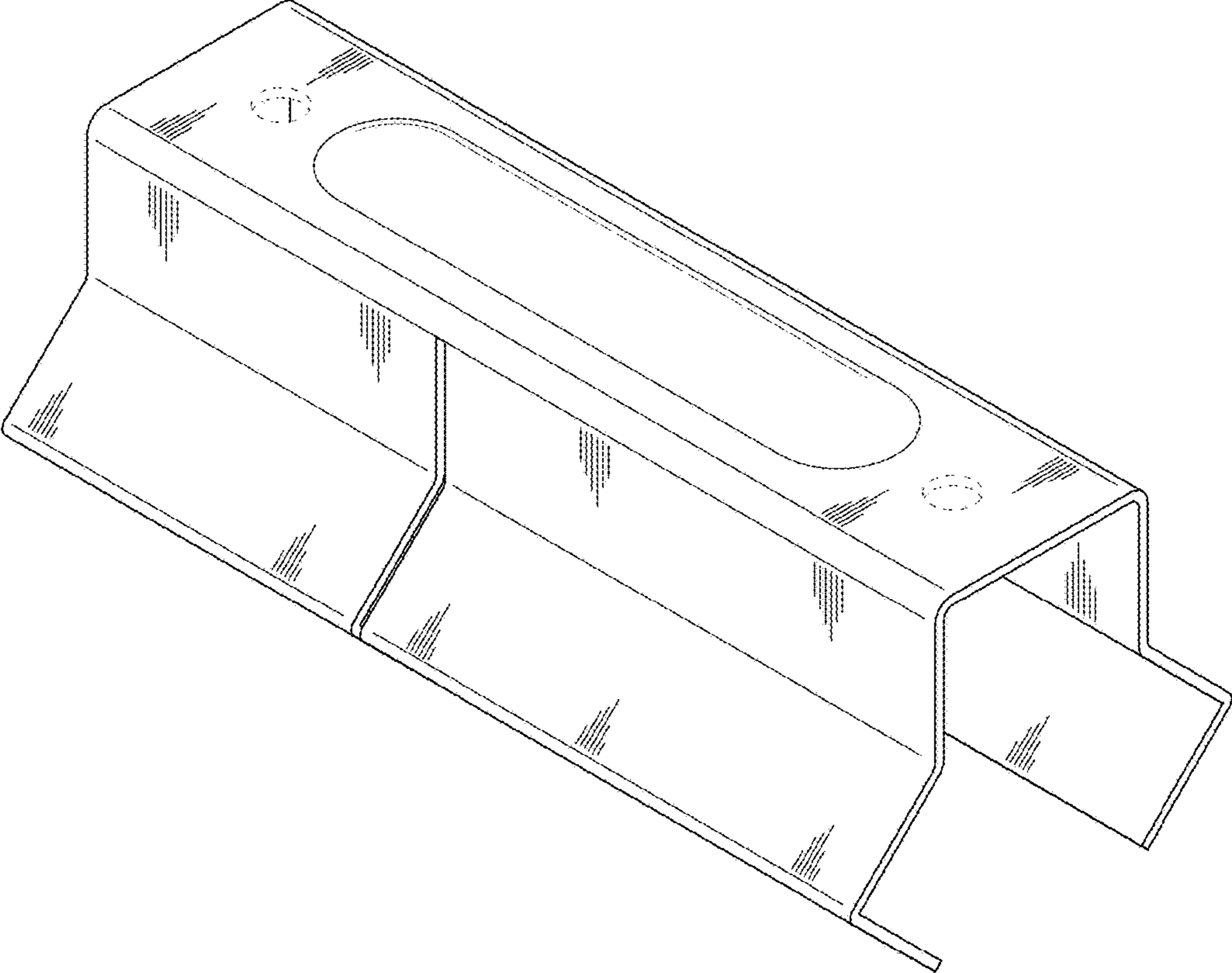


FIG. 1

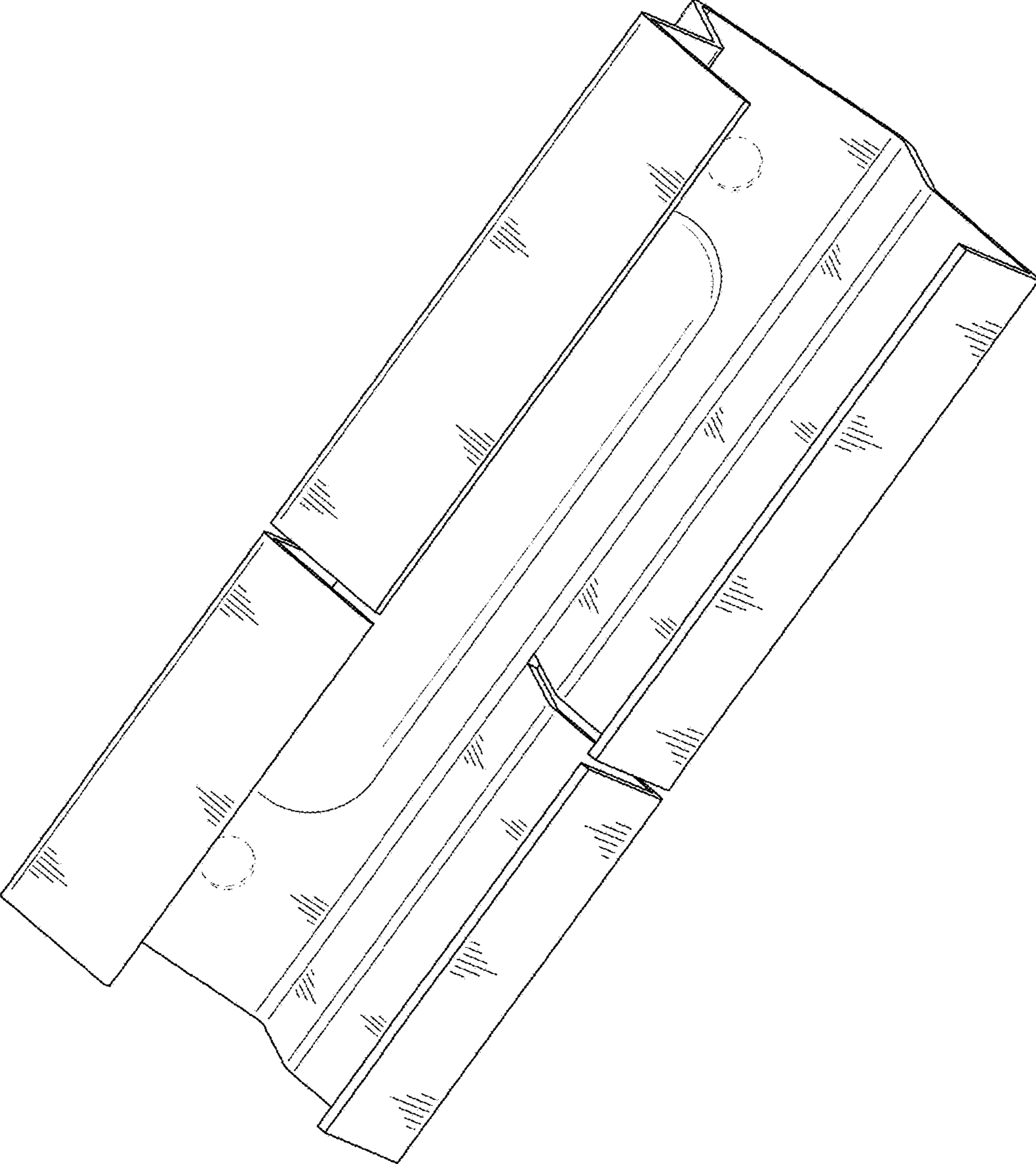


FIG. 2

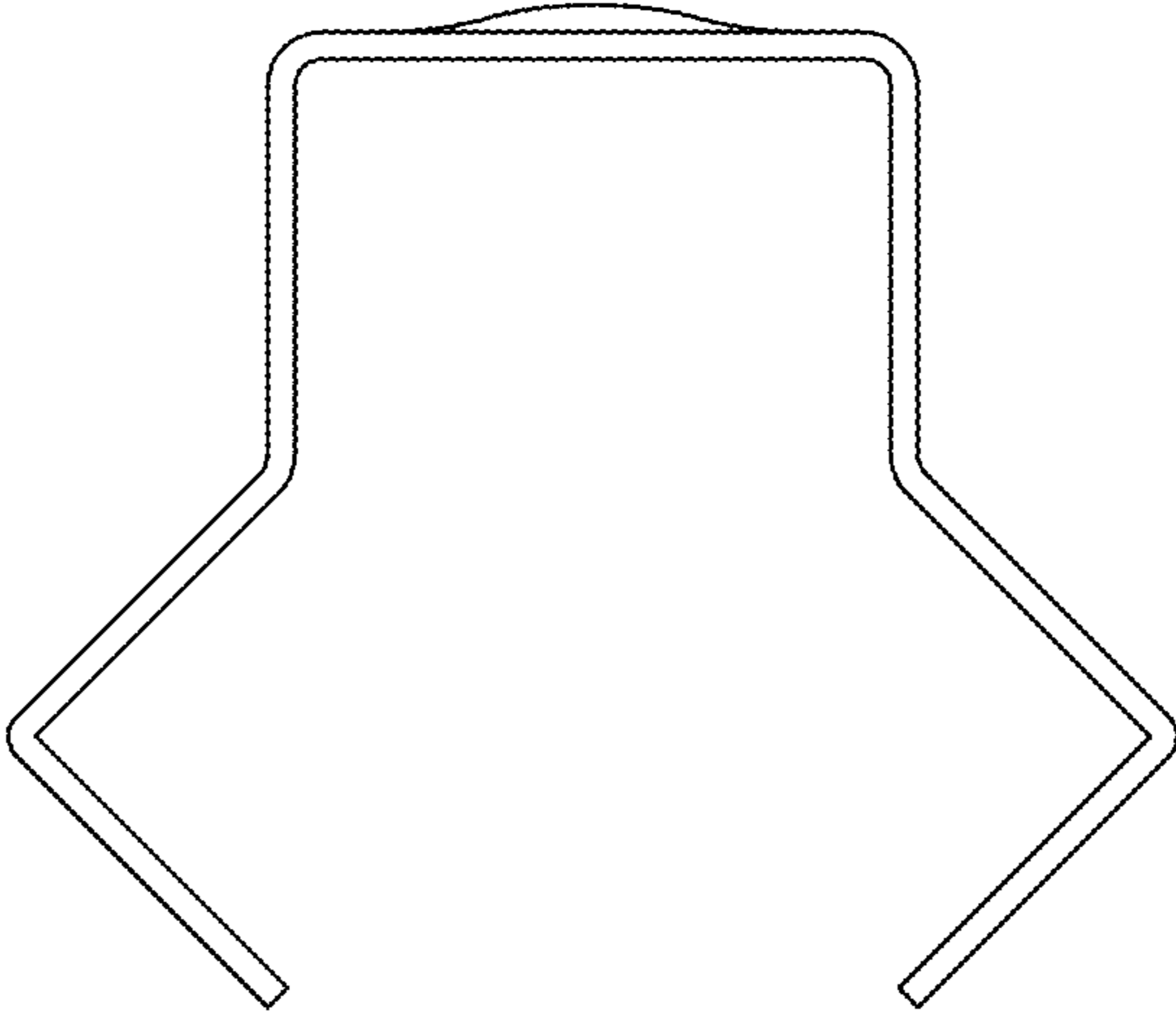


FIG. 3

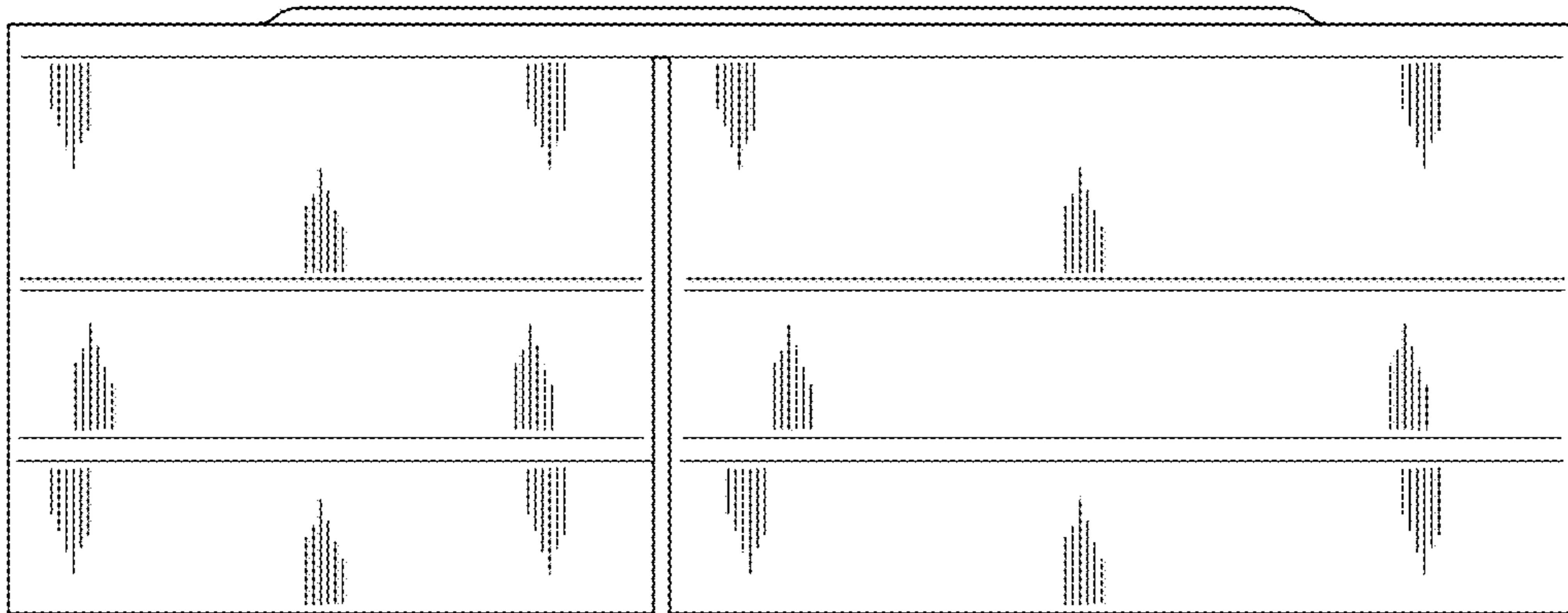


FIG. 4

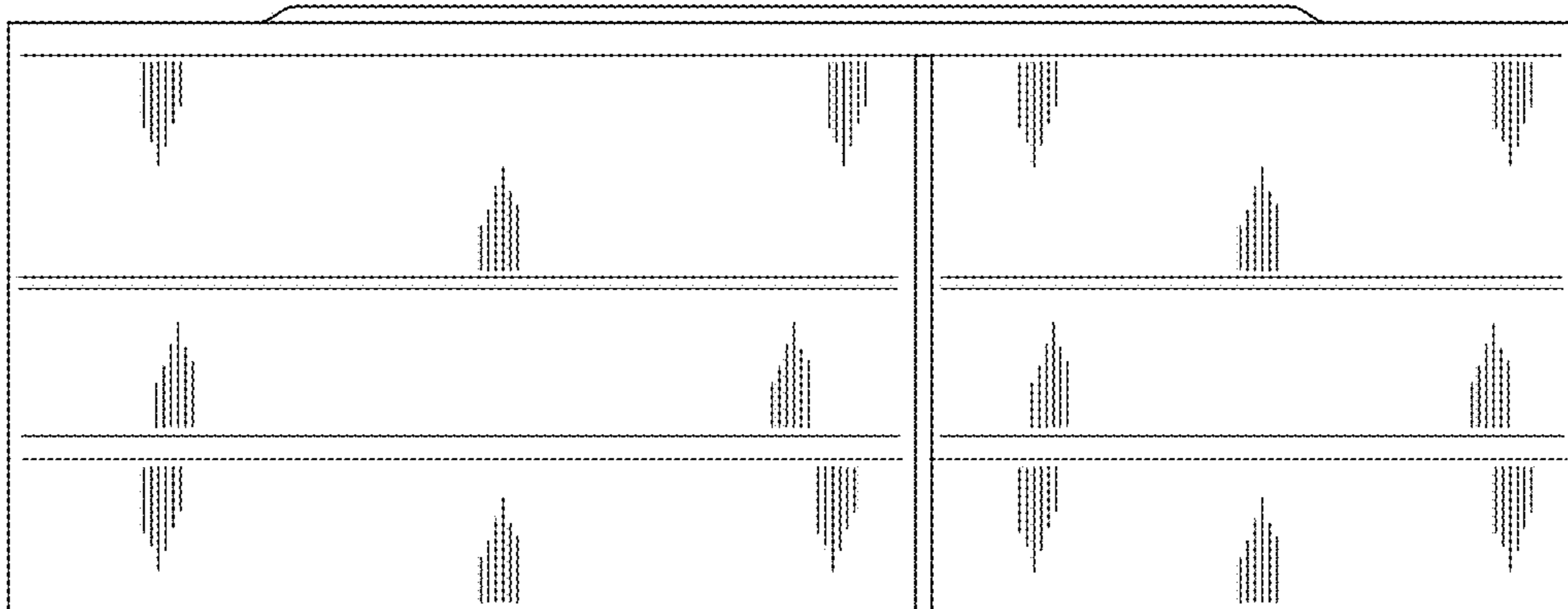


FIG. 5

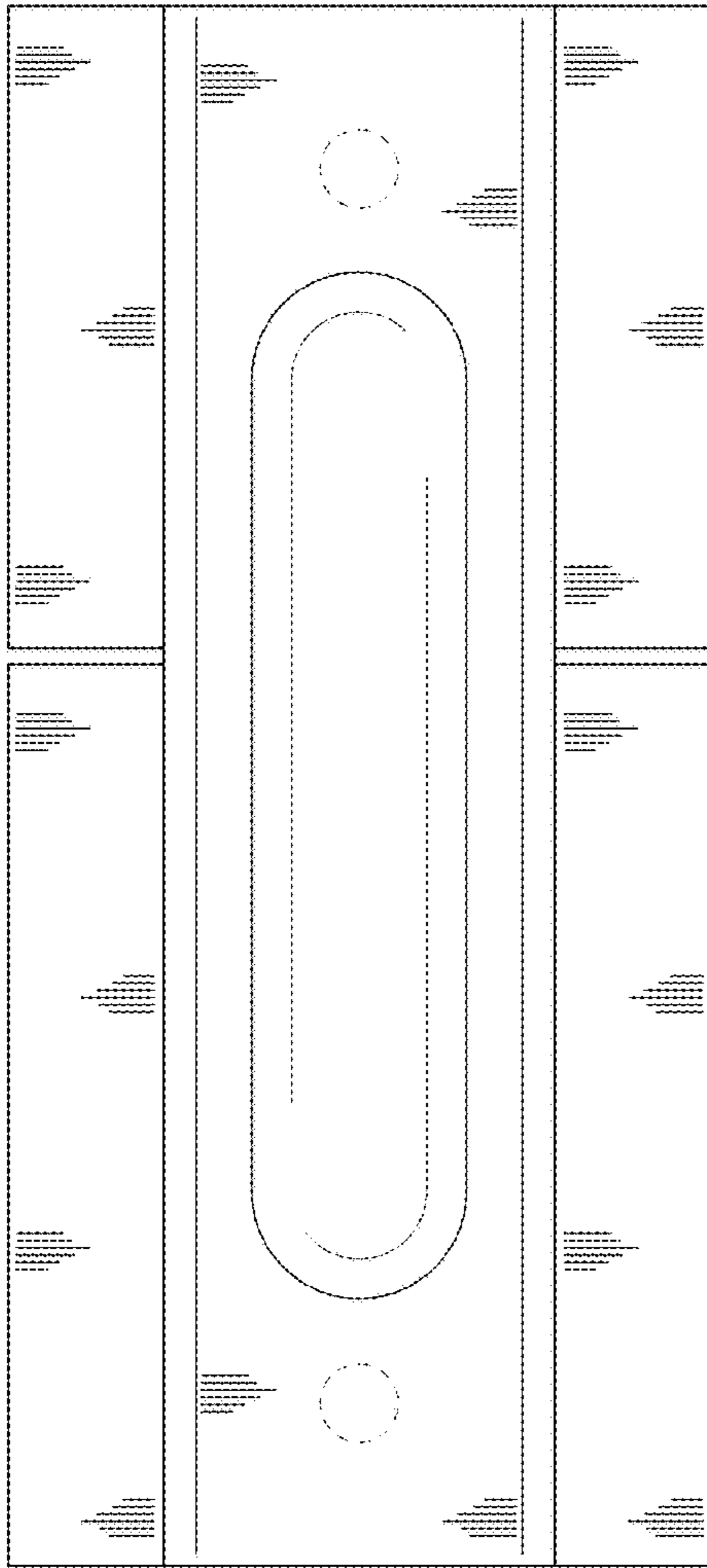


FIG. 6

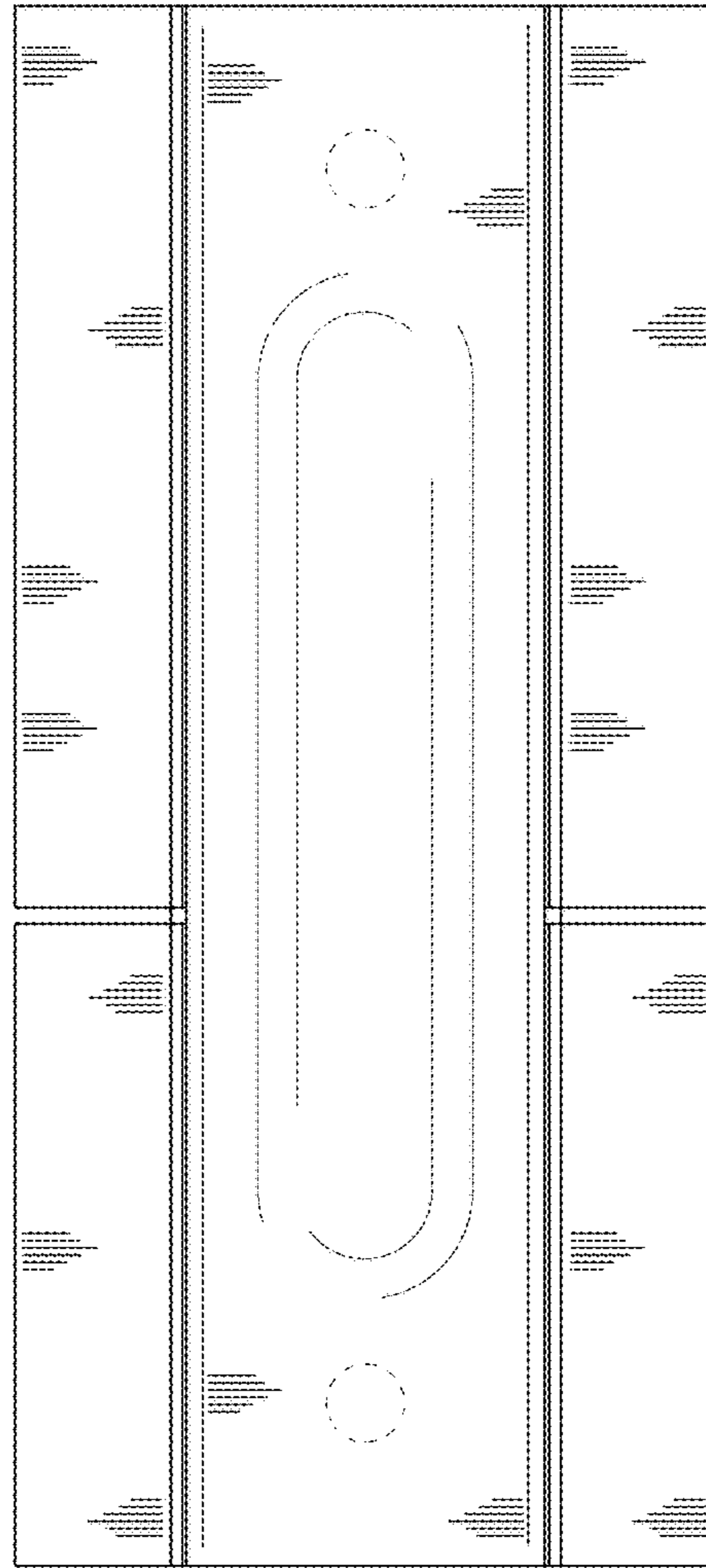


FIG. 7

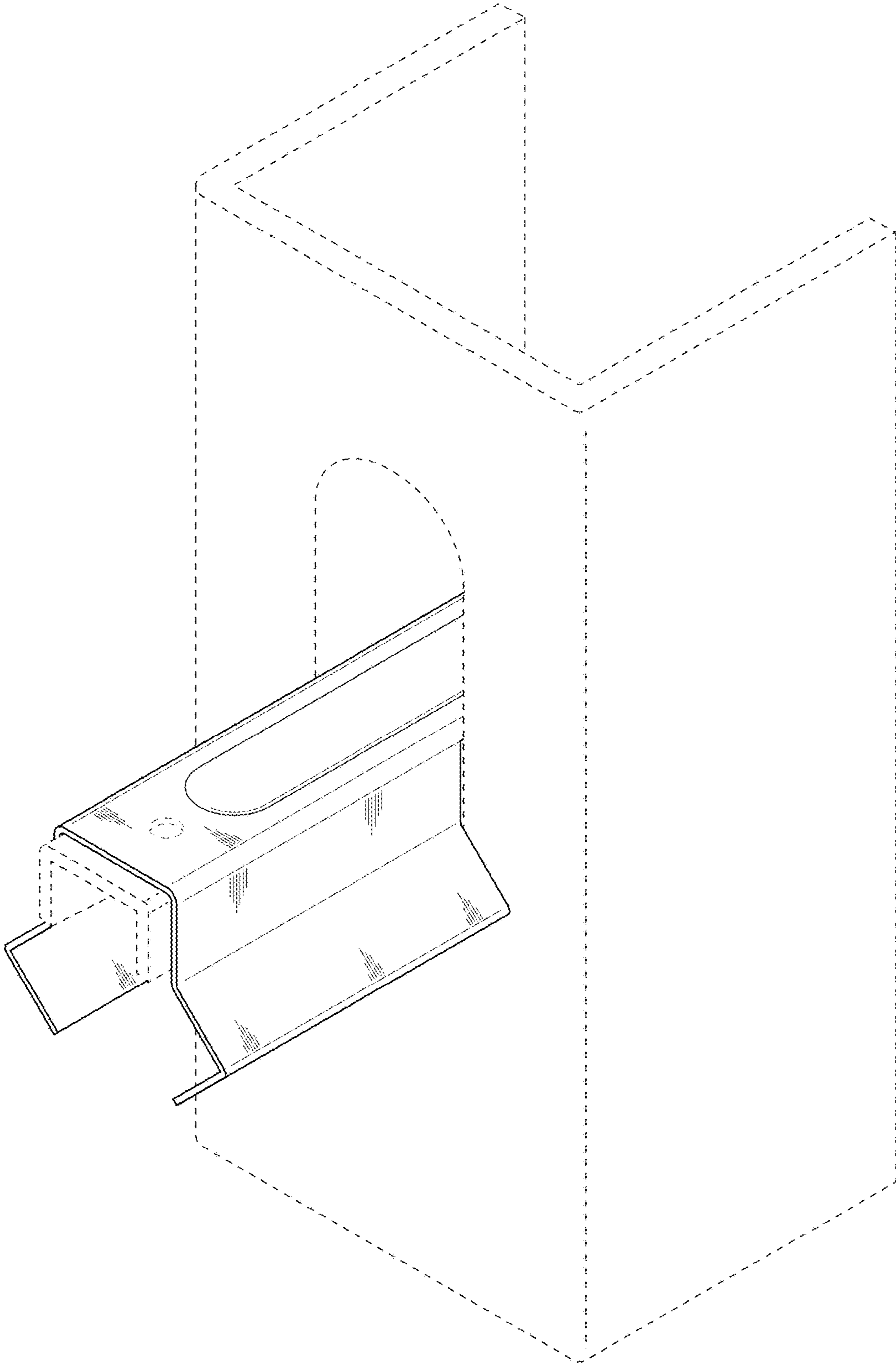


FIG. 8