



US00D822452S

(12) **United States Design Patent**
Fan

(10) **Patent No.:** **US D822,452 S**
(45) **Date of Patent:** **** Jul. 10, 2018**

(54) **SMART BICYCLE LOCK**
(71) Applicant: **VBikes Technology LLC**, Garland, TX (US)
(72) Inventor: **Yongjin Fan**, Hangzhou (CN)
(73) Assignee: **Vbikes Technology LLC**, Garland, TX (US)
(**) Term: **15 Years**
(21) Appl. No.: **29/601,342**
(22) Filed: **Apr. 21, 2017**
(51) **LOC (11) Cl.** **08-07**
(52) **U.S. Cl.**
USPC **D8/334**; D8/333; D8/330
(58) **Field of Classification Search**
USPC D8/330, 331, 333, 343, 339, 336, 349, D8/334, 354; 70/14-16, 18, 57, 25, 158, 70/163-168, 233, 38 A, 38 C, 23, 20, 30, 70/51, 57.1, 202, 203, 431, 448, 465, 70/466; 292/288, 290, 340; 211/4, 5; 224/419, 421, 441, 448
CPC E05B 17/00; E05B 67/00; E05B 67/06; E05B 71/00; B62H 5/20; B62H 5/00
See application file for complete search history.

6,321,961 B1 * 11/2001 McDaid B62J 11/00 224/425
D549,074 S * 8/2007 Devine D8/331
7,770,419 B2 * 8/2010 Stone B62H 3/02 211/5
7,905,123 B2 * 3/2011 Lee B62H 5/145 70/226
8,596,506 B2 * 12/2013 Yu B62H 5/00 224/419
8,839,650 B2 * 9/2014 Zuraski B62H 5/003 70/21
9,340,997 B2 * 5/2016 Zuraski B62H 5/00
9,512,649 B2 * 12/2016 Mohamed B62H 5/147
9,827,559 B2 * 11/2017 Jiang B01J 29/46

* cited by examiner

Primary Examiner — Prabhakar G Deshmukh
(74) *Attorney, Agent, or Firm* — Timothy T. Wang; Ni, Wang & Massand, PLLC

(56) **References Cited**
U.S. PATENT DOCUMENTS
D317,556 S * 6/1991 McKernan D8/346
D332,043 S * 12/1992 Linhart D8/333
5,802,889 A * 9/1998 Arnold B62H 5/14 211/5
D418,040 S * 12/1999 Howard D8/331

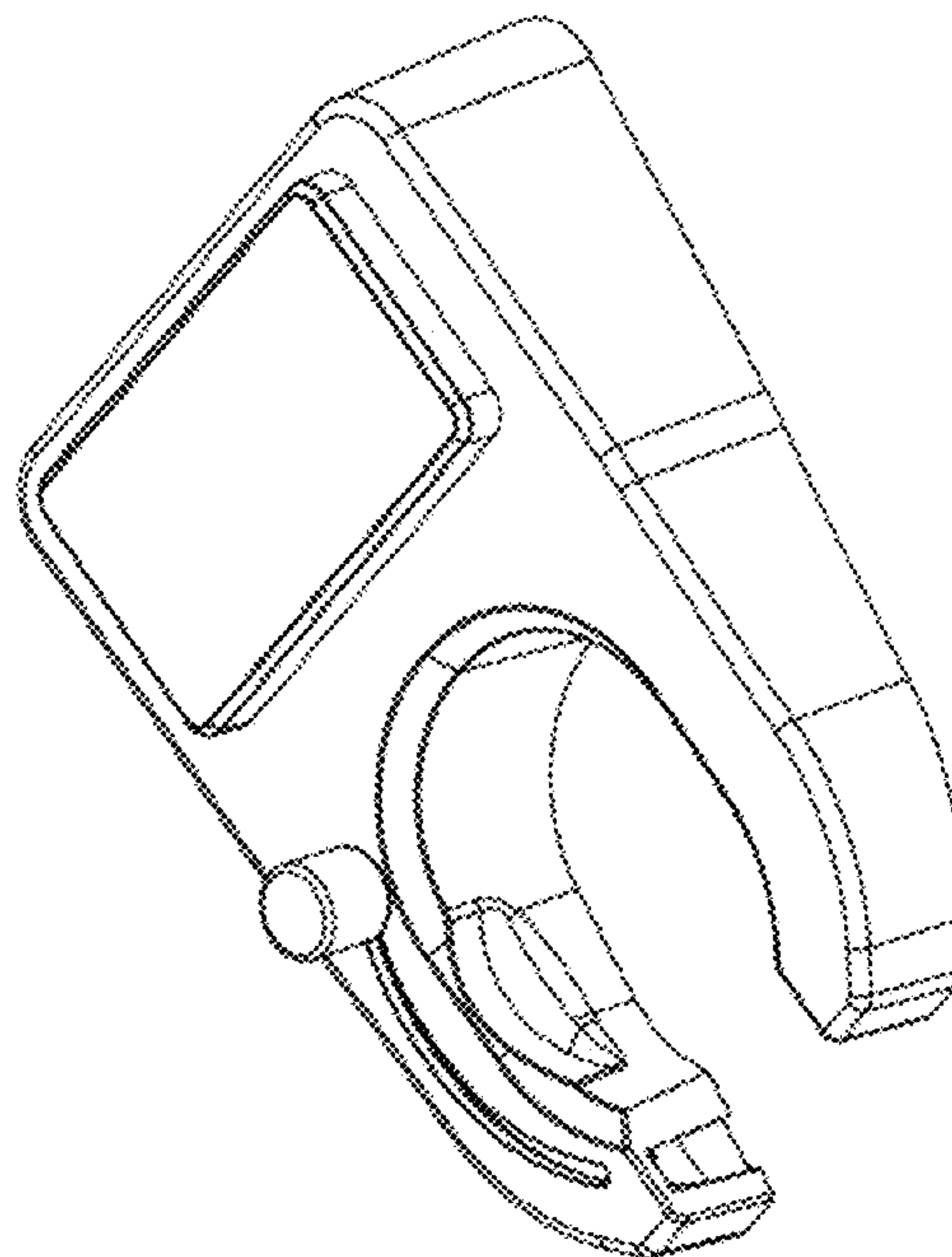
(57) **CLAIM**

The ornamental design for a smart bicycle lock, as shown and described.

DESCRIPTION

FIG. 1 is a perspective view of a smart bicycle lock showing my new design;
FIG. 2 is a top plan view thereof;
FIG. 3 is a bottom plan view thereof;
FIG. 4 is a left side view thereof;
FIG. 5 is a right side view thereof;
FIG. 6 is a front view thereof; and,
FIG. 7 is a rear side view thereof.

1 Claim, 7 Drawing Sheets



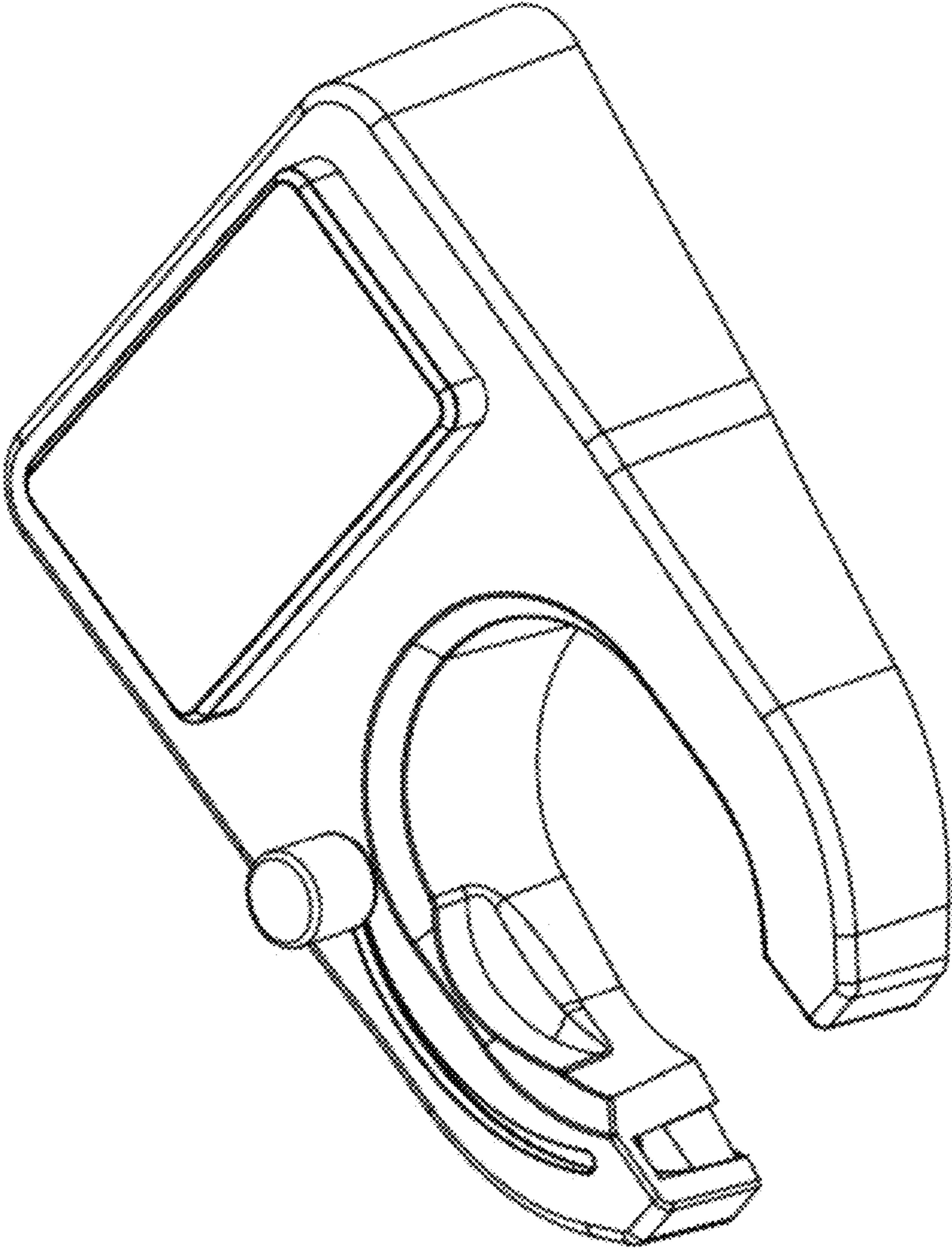


FIG. 1

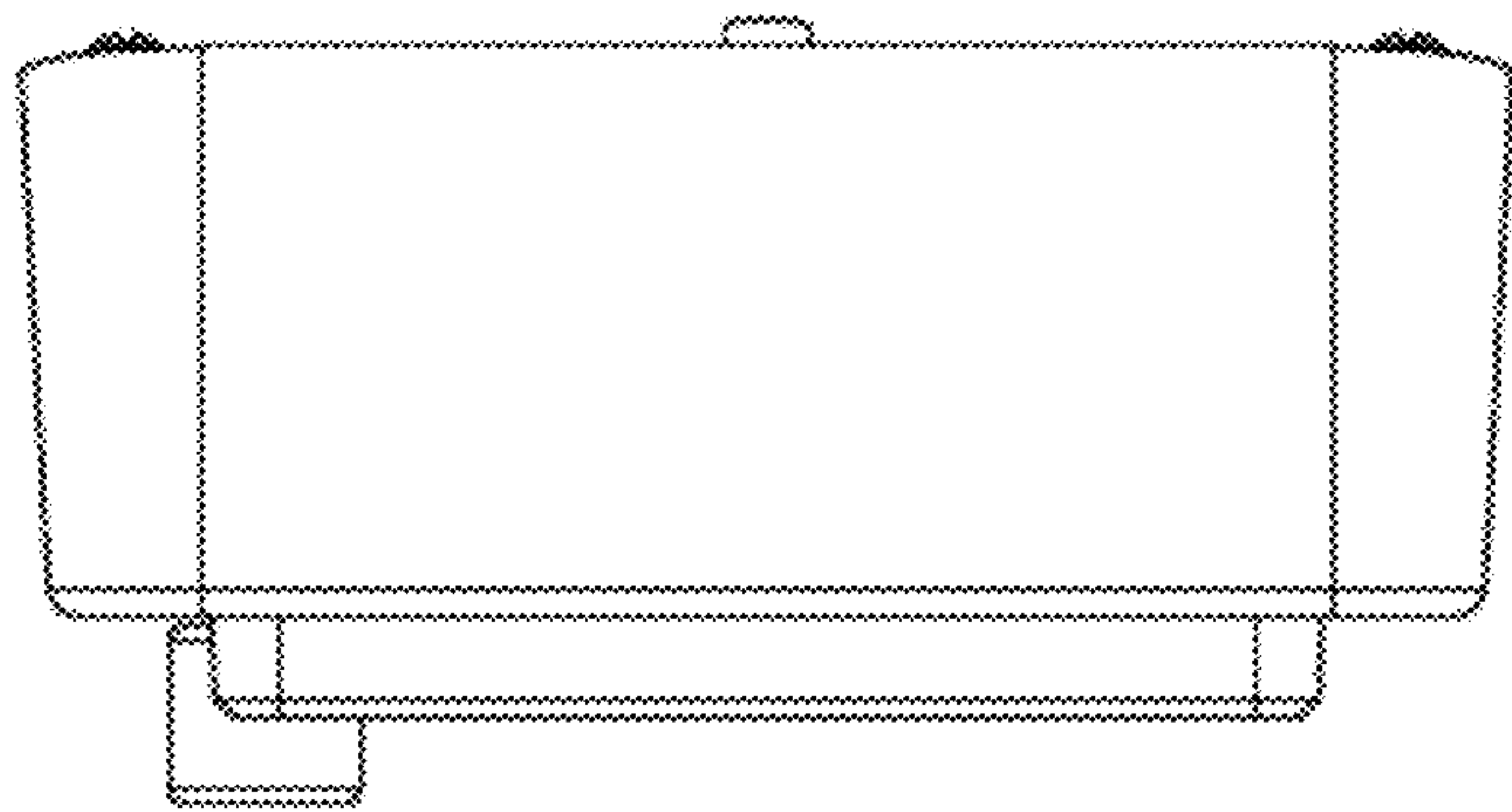


FIG. 2

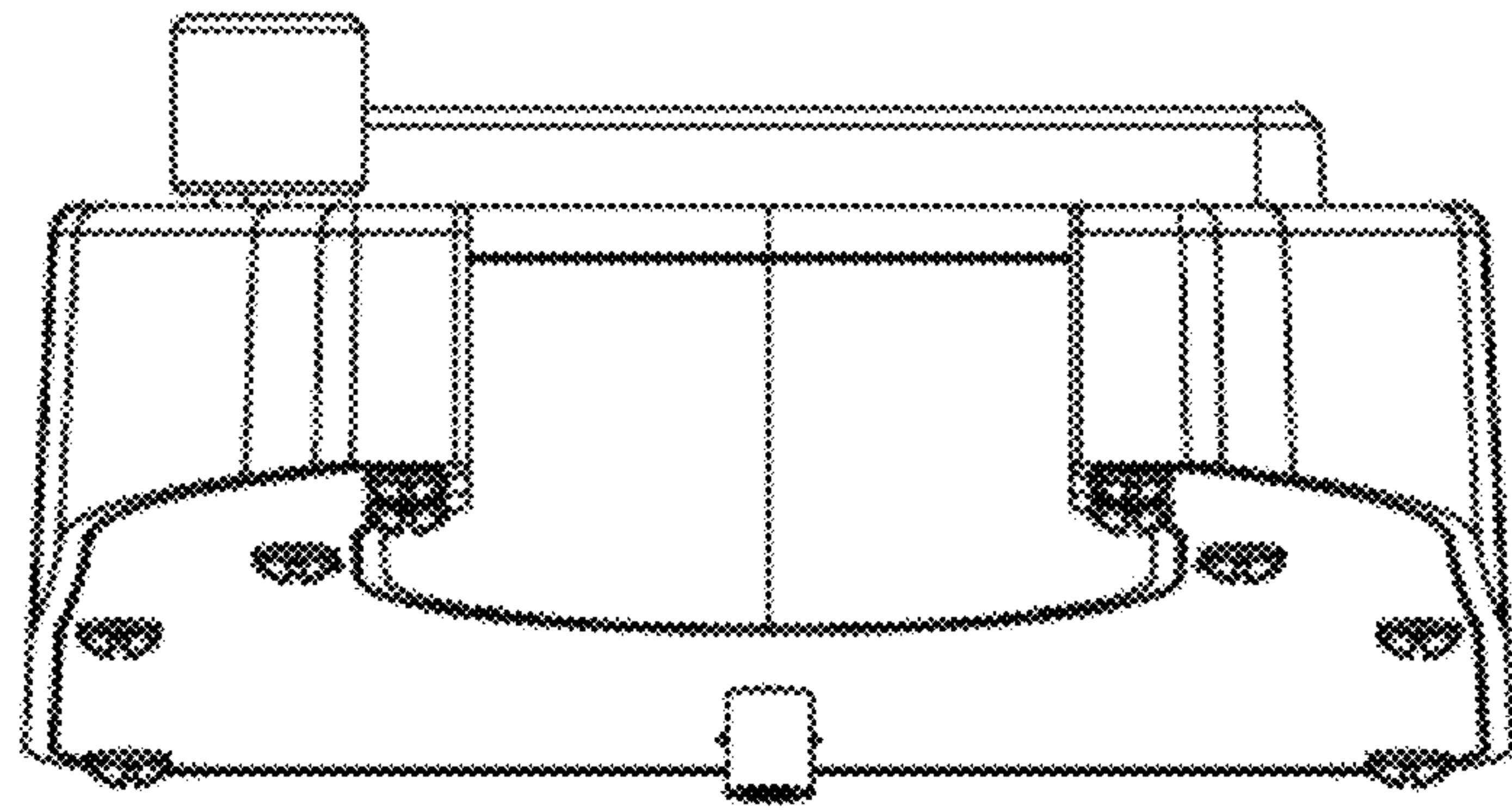


FIG. 3

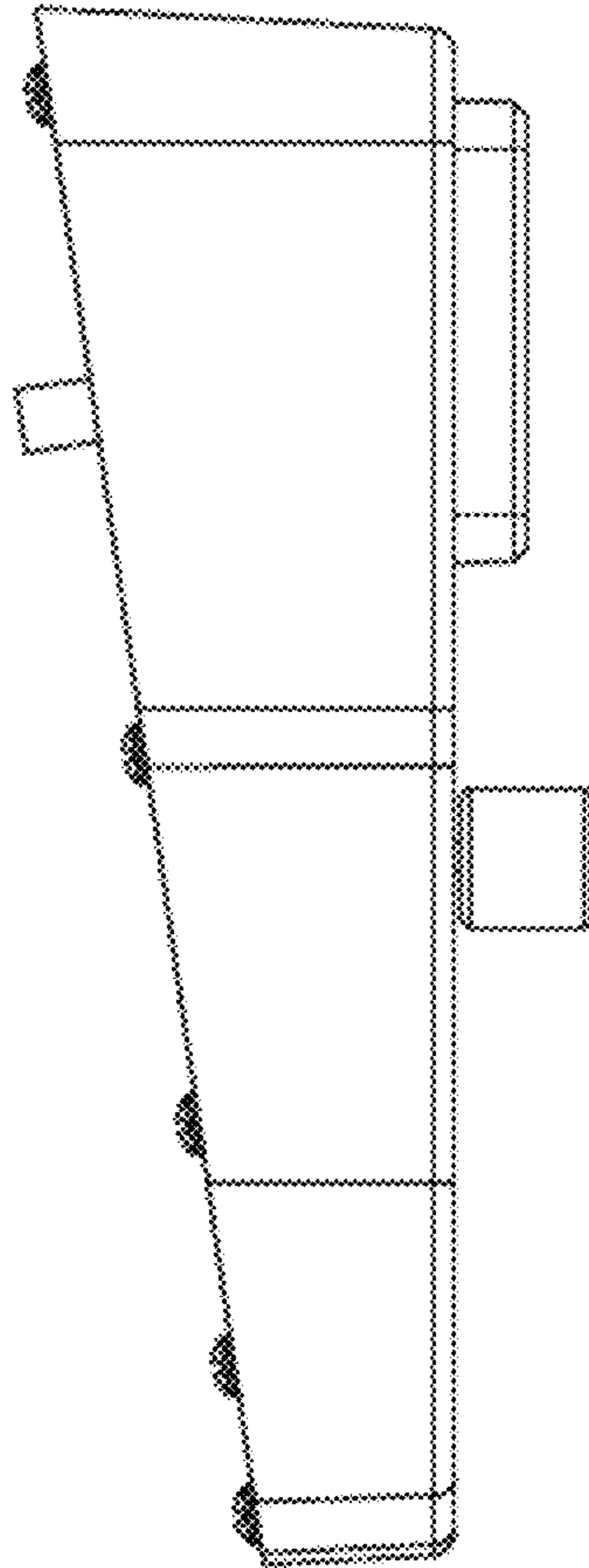


FIG. 4

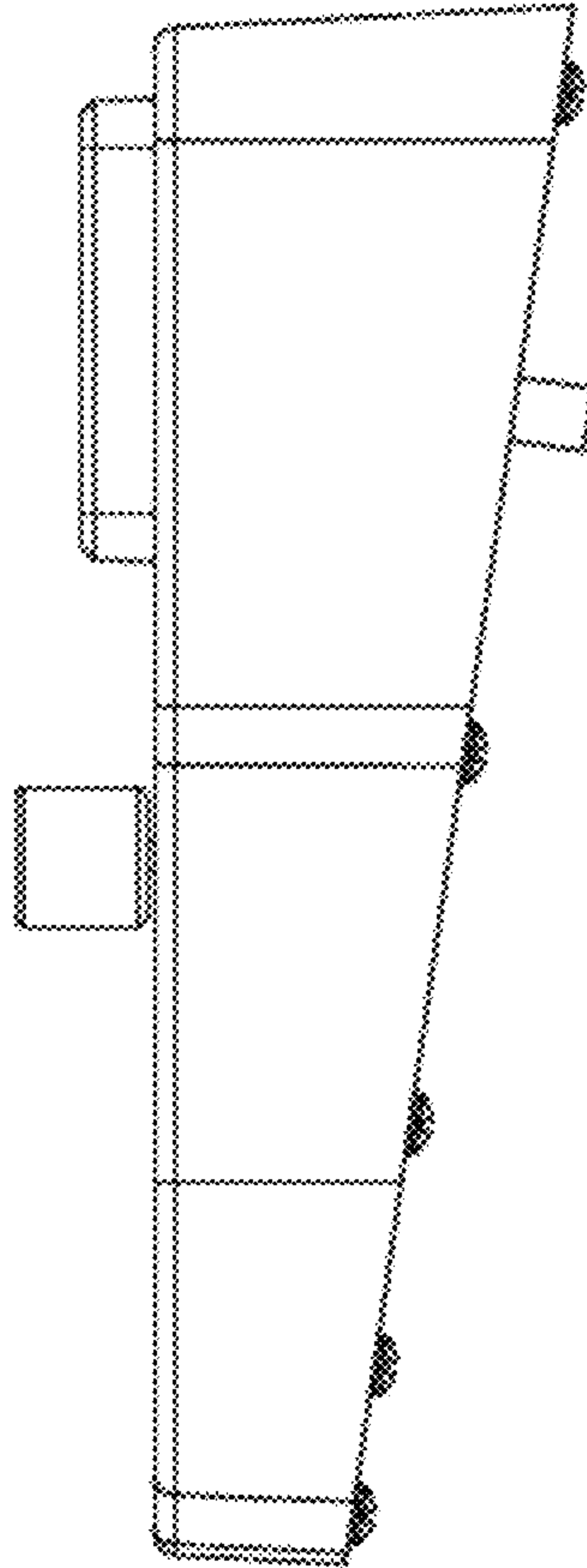


FIG. 5

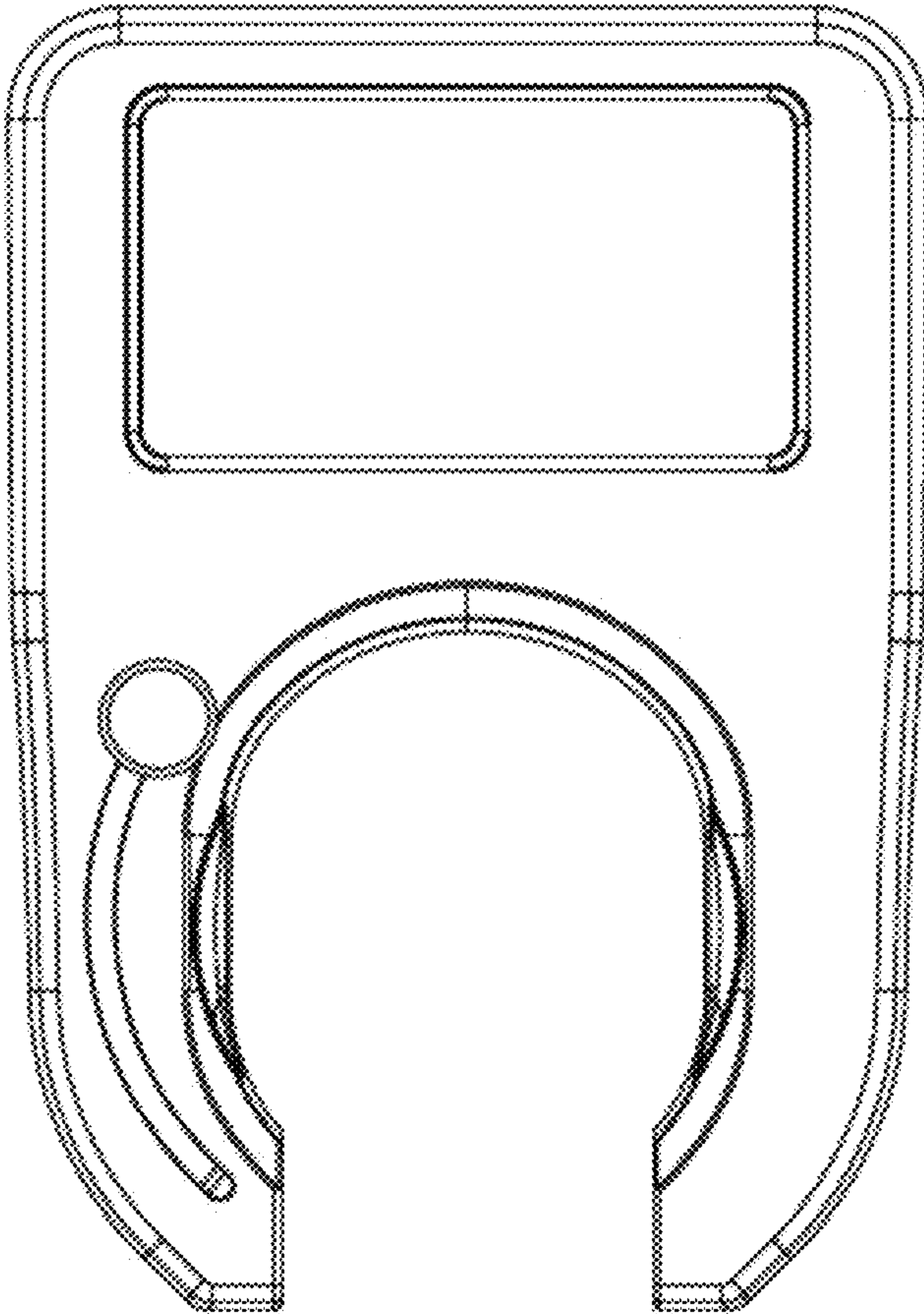


FIG. 6

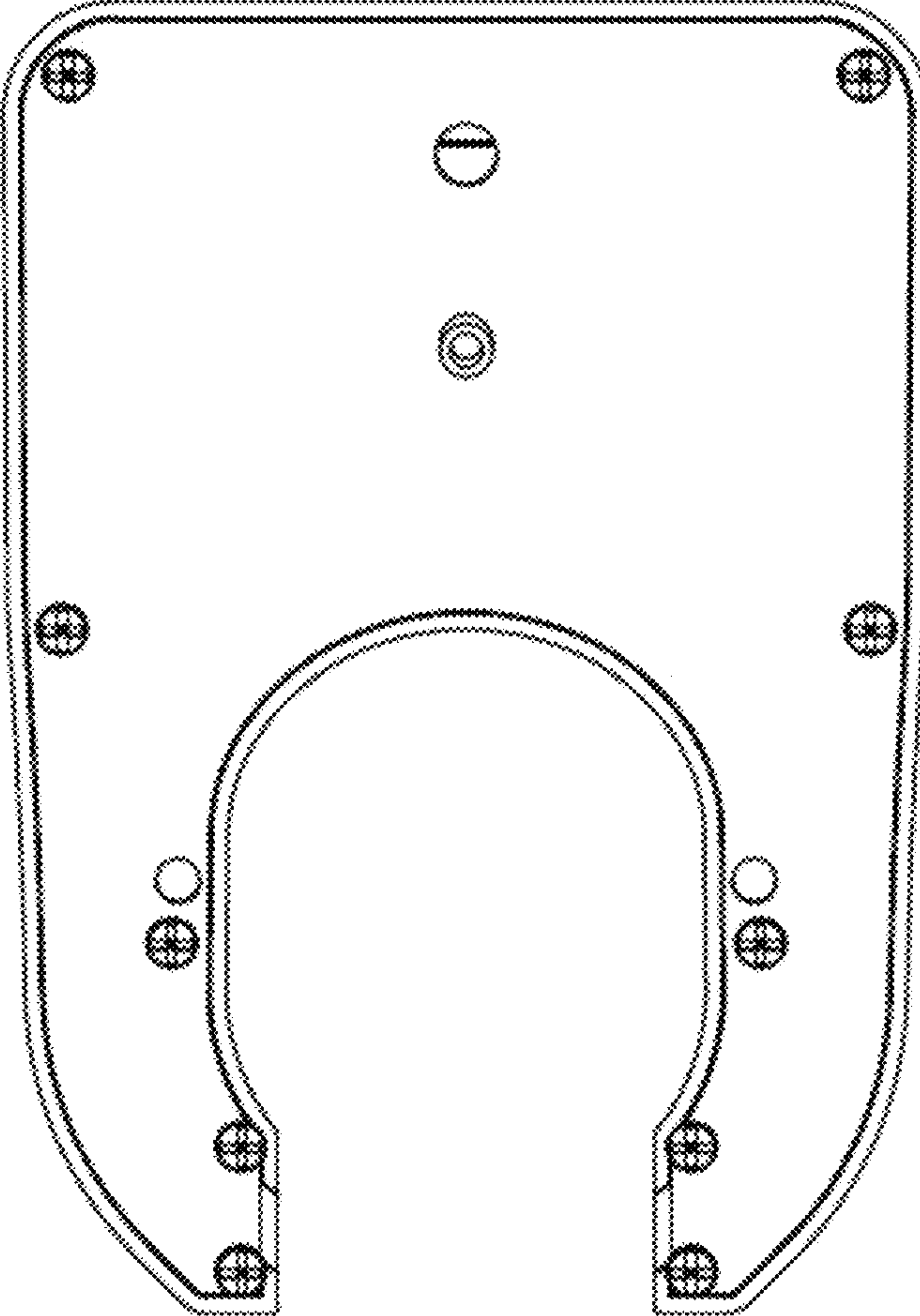


FIG. 7