



US00D822448S

(12) **United States Design Patent**
Albertson

(10) **Patent No.:** **US D822,448 S**
(45) **Date of Patent:** **** Jul. 10, 2018**

- (54) **TITANIUM SOCKET WRENCH**
- (71) Applicant: **Robert V. Albertson**, Mound, MN (US)
- (72) Inventor: **Robert V. Albertson**, Mound, MN (US)
- (**) Term: **15 Years**
- (21) Appl. No.: **29/620,259**
- (22) Filed: **Sep. 7, 2016**
- (51) **LOC (11) Cl.** **08-05**
- (52) **U.S. Cl.**
USPC **D8/25**
- (58) **Field of Classification Search**
USPC D8/17, 21-29; 81/58, 58.2, 119, 124.4,
81/125.1, 186, 121.1, 60, 63.1
CPC B25B 13/02; B25B 13/08; B25B 13/04;
B25B 13/065; B25B 13/46; B25B 13/463
See application file for complete search history.

6,516,688	B2	2/2003	Albertson	
D521,824	S	5/2006	Albertson et al.	
D529,778	S	10/2006	Albertson et al.	
7,353,735	B2 *	4/2008	Patel B25B 13/463 81/60
D670,984	S	11/2012	Albertson	
8,904,907	B2	12/2014	Douglas	

* cited by examiner

Primary Examiner — Randall H Gholson
(74) *Attorney, Agent, or Firm* — Richard John Bartz

(57) **CLAIM**

The ornamental design of a titanium socket wrench, as shown and described.

DESCRIPTION

The patent or application file contains at least one drawing executed in color. Copies of this patent or patent application publication with color drawing(s) will be provided by the Office upon request and payment of the necessary fee.

FIG. 1 is a perspective view of a titanium socket wrench of my new design;

FIG. 2 is a front elevational View thereof;

FIG. 3 is a back elevational view thereof;

FIG. 4 is a right side elevational view thereof;

FIG. 5 is a left side elevational view thereof;

FIG. 6 is a top plan view thereof; and,

FIG. 7 is a bottom plan view thereof.

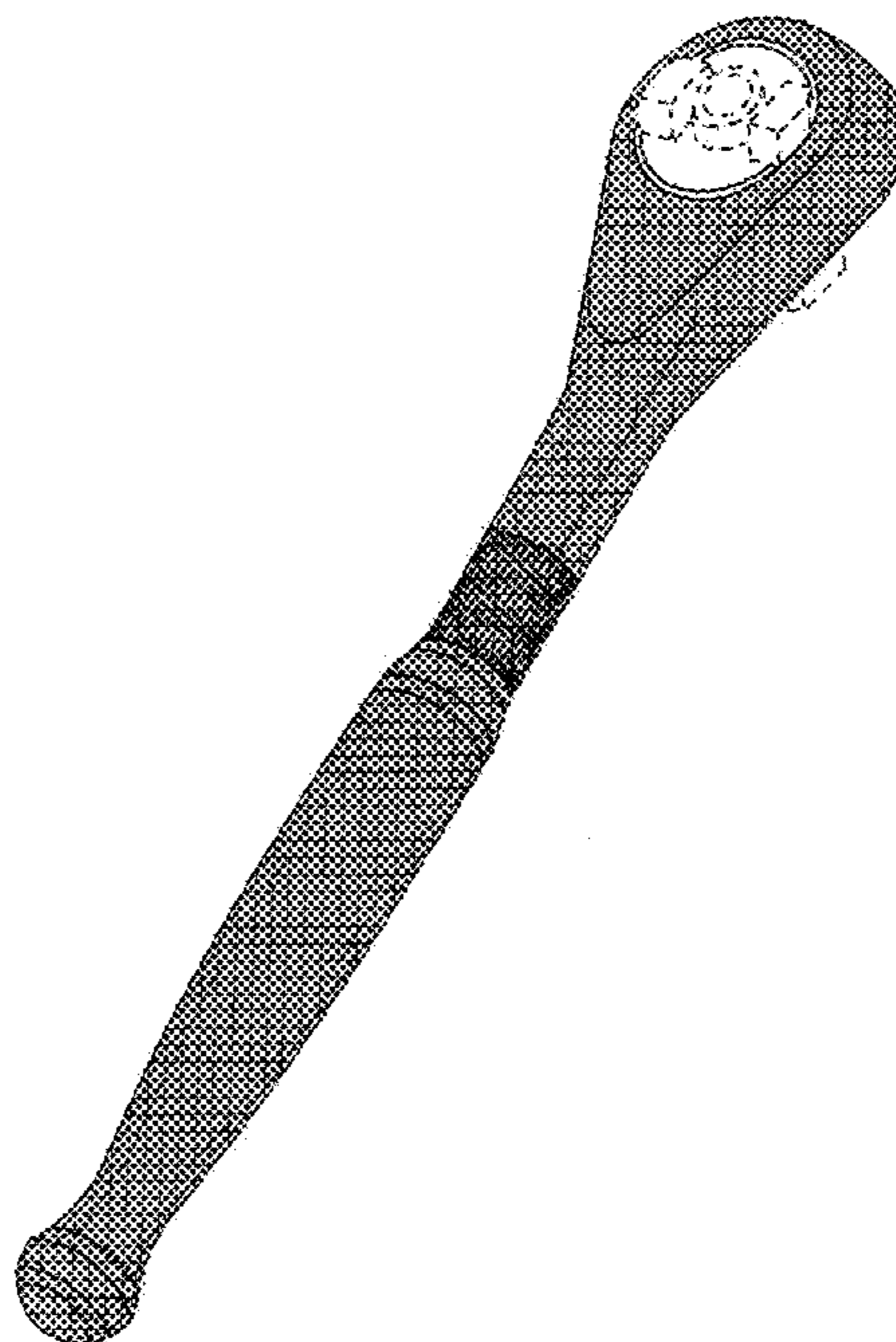
The drawing of the titanium socket wrench is shown as the colors gold and black.

1 Claim, 4 Drawing Sheets
(4 of 4 Drawing Sheet(s) Filed in Color)

(56) **References Cited**

U.S. PATENT DOCUMENTS

- | | | | | |
|-----------|------|---------|---------------|-------------------------------|
| 4,924,737 | A * | 5/1990 | Gummow | B25B 13/465
192/45.1 |
| D336,225 | S * | 6/1993 | Lin | D8/25 |
| D340,628 | S * | 10/1993 | Chow | D8/25 |
| 5,829,326 | A * | 11/1998 | Richner | B25B 13/462
81/60 |
| 5,970,825 | A | 10/1999 | Barnet et al. | |
| 6,067,881 | A | 5/2000 | Albertson | |
| 6,276,239 | B1 | 8/2001 | Albertson | |
| 6,431,031 | B1 * | 8/2002 | Hu | B25B 13/463
81/62 |
| 6,457,387 | B1 * | 10/2002 | Hu | B25B 13/463
81/61 |



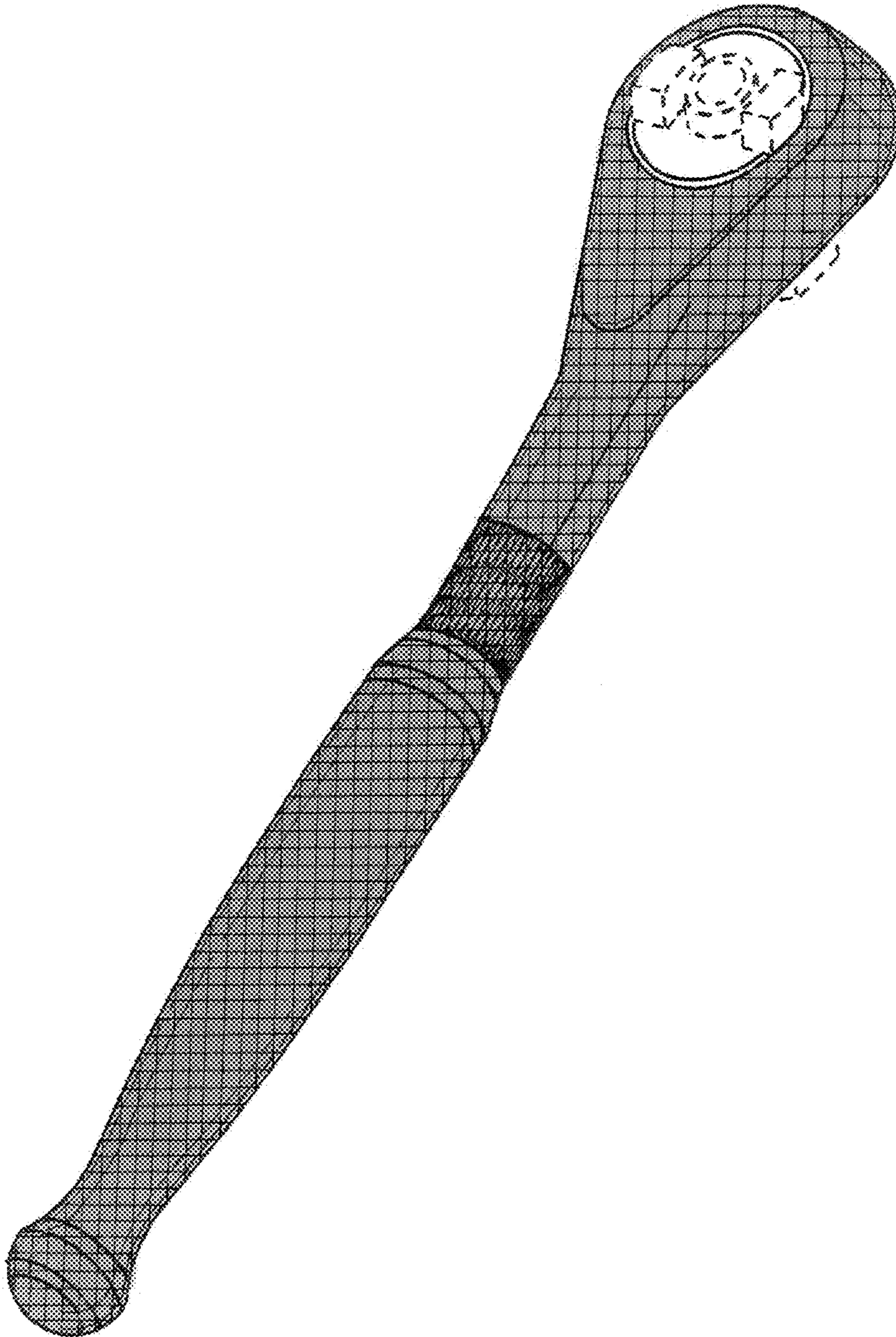


FIG.1

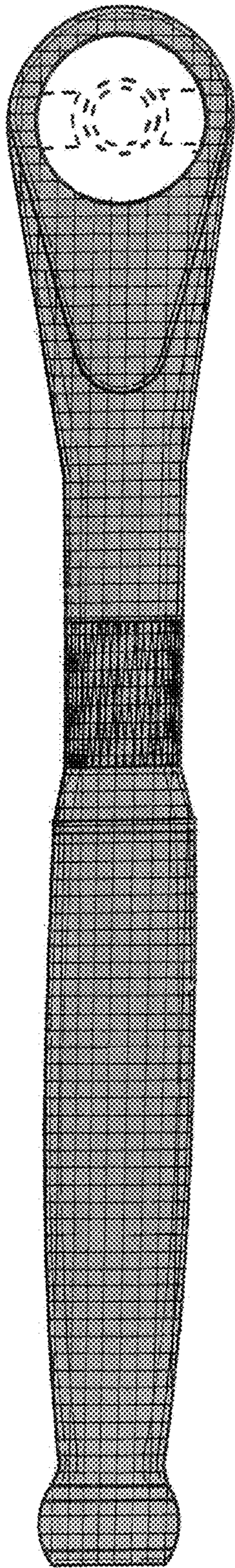


FIG. 2

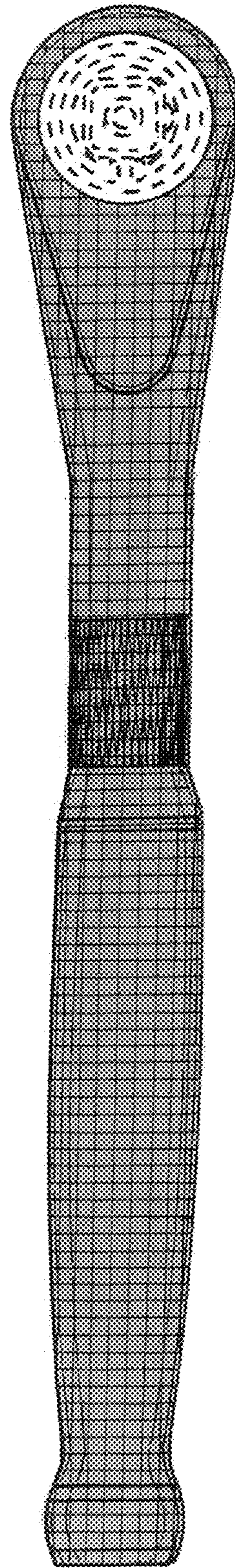


FIG. 3

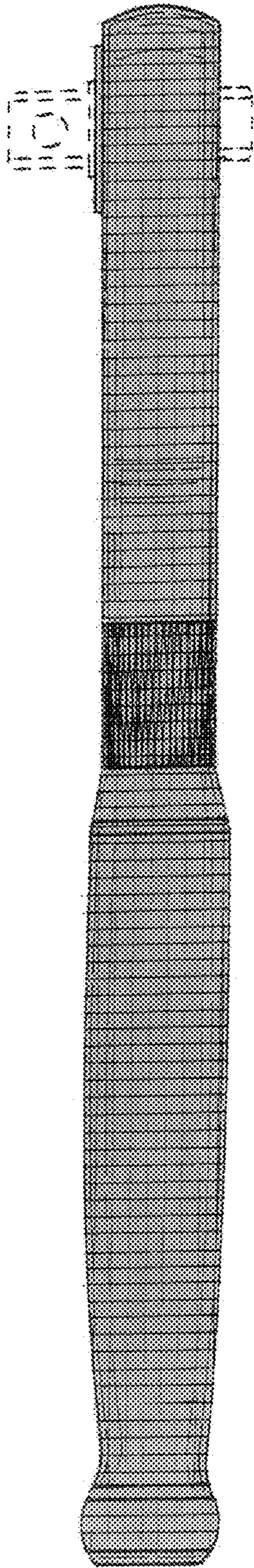


FIG. 4

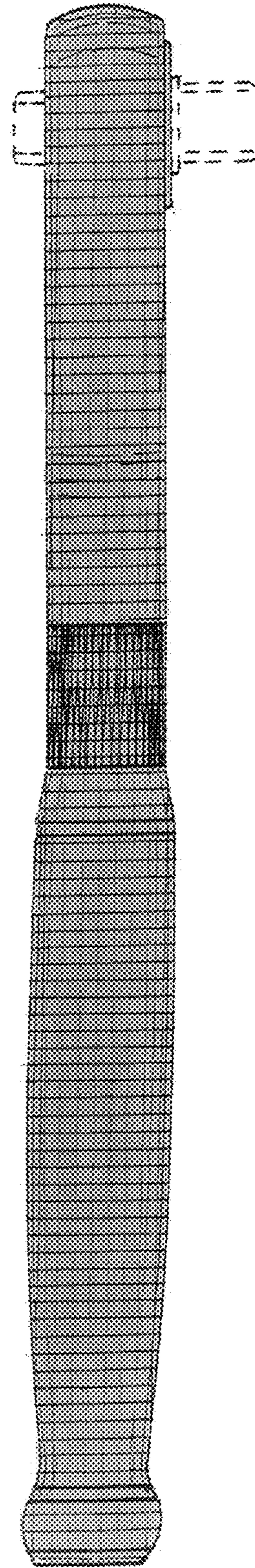


FIG. 5

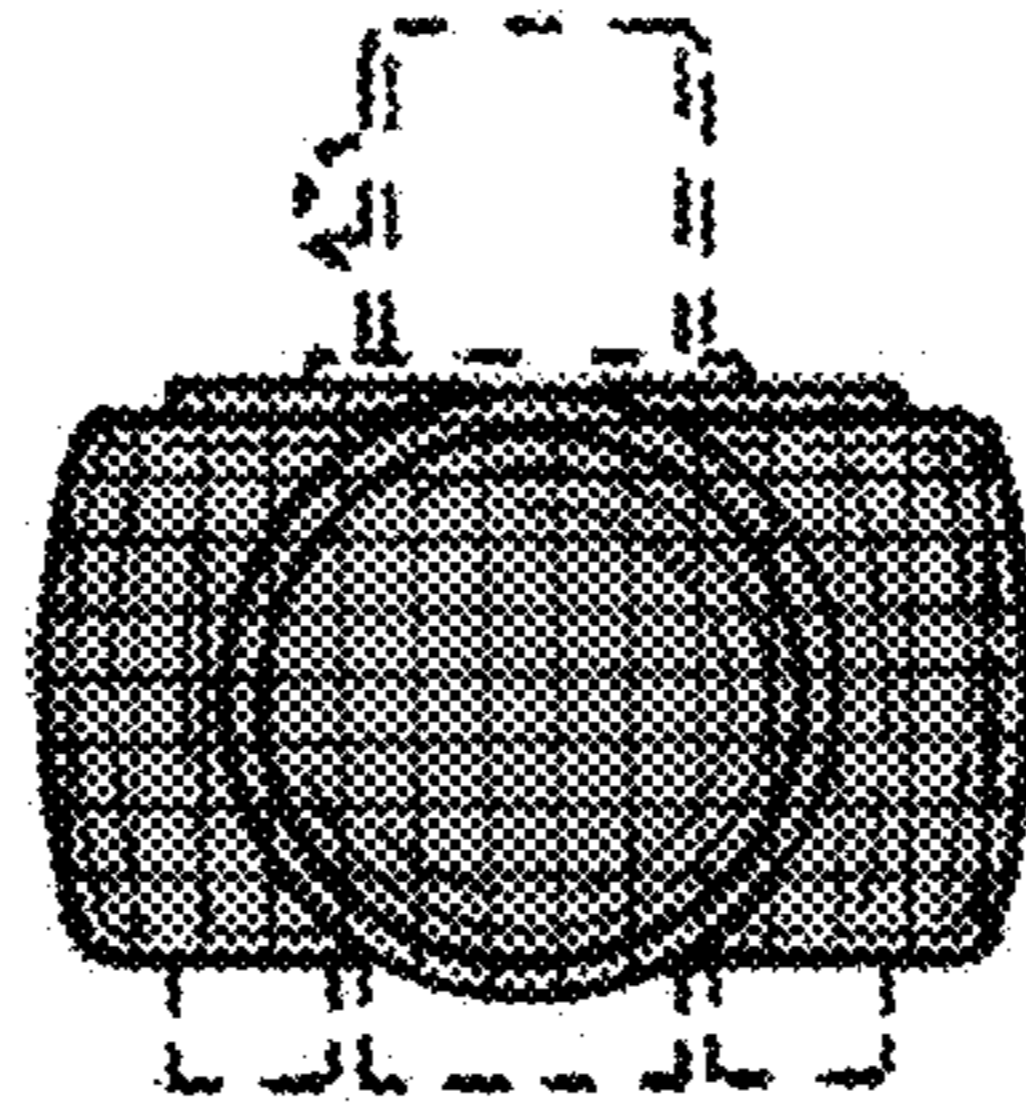


FIG. 6

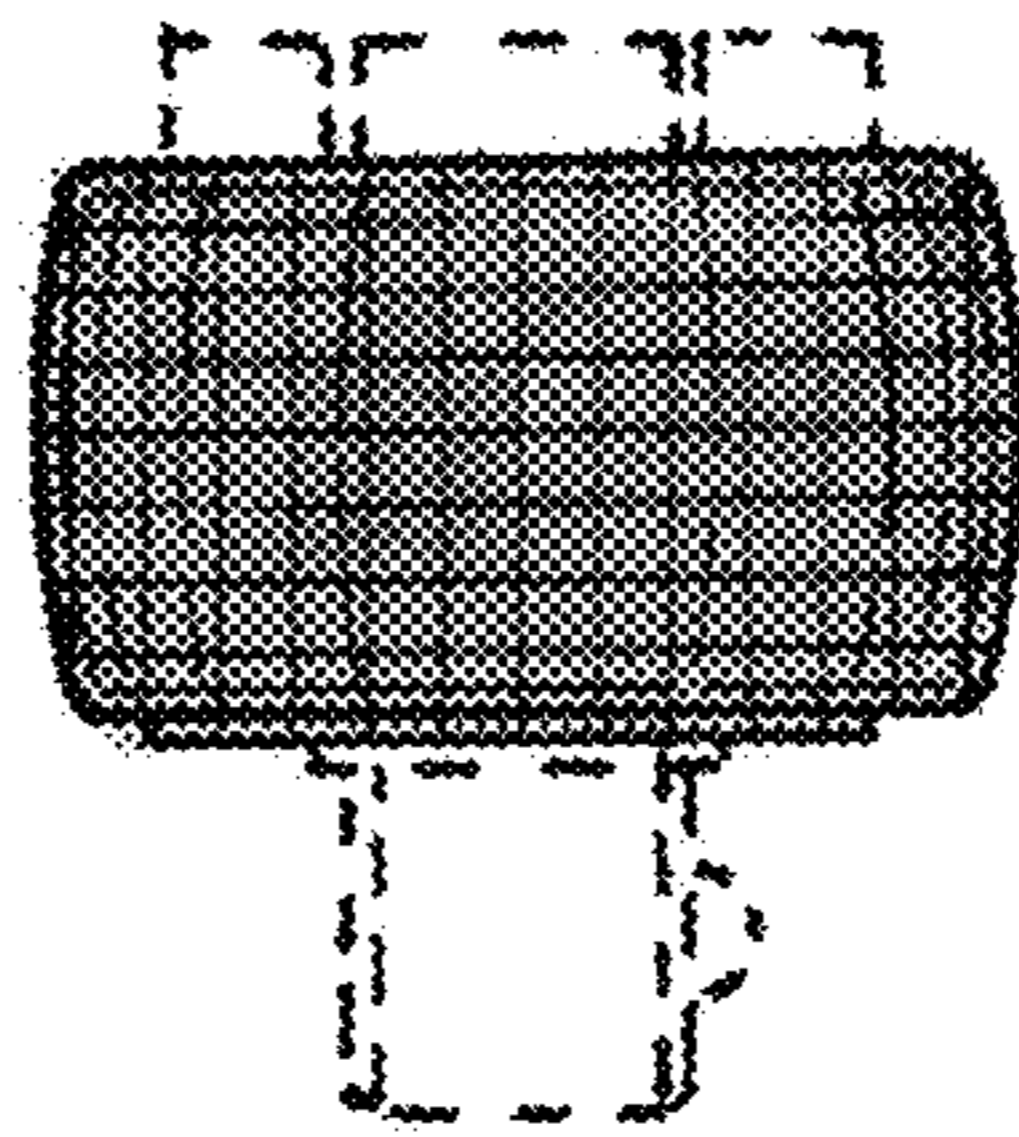


FIG. 7