



US00D822447S

(12) **United States Design Patent**
Gispert

(10) **Patent No.:** **US D822,447 S**

(45) **Date of Patent:** **** Jul. 10, 2018**

(54) **FOOD AND DRINK CONTAINER**
(71) Applicant: **STOR, S.L.**, Madrid (ES)
(72) Inventor: **Valentin Ortiz Gispert**, Madrid (ES)
(**) Term: **15 Years**
(21) Appl. No.: **35/501,193**
(22) Filed: **Mar. 8, 2016**

3,648,830 A * 3/1972 Graf A45C 11/20
206/541
5,074,417 A * 12/1991 Kenny A45C 11/20
206/457
D346,489 S * 5/1994 Bean D12/407
D376,074 S * 12/1996 Vossoughi D7/629
6,105,844 A * 8/2000 Walters A45C 11/20
206/541
D637,458 S * 5/2011 Harbinson D7/601
D654,334 S * 2/2012 Gispert D7/709
D733,510 S * 7/2015 Ortiz Gispert D7/709
D738,697 S * 9/2015 Ortiz Gispert D7/709
D740,086 S * 10/2015 Ortiz Gispert D7/709

(80) **Hague Agreement Data**
Int. Filing Date: **Mar. 8, 2016**
Int. Reg. No.: **DM/091354**
Int. Reg. Date: **Mar. 8, 2016**
Int. Reg. Pub. Date: **Jul. 8, 2016**

* cited by examiner

Primary Examiner — Sheryl Lane
Assistant Examiner — Nicole C Shiflet

(30) **Foreign Application Priority Data**

Mar. 8, 2016 (EM) 003019066

(51) **LOC (11) Cl.** **09-03**

(52) **U.S. Cl.**
USPC **D7/709**

(58) **Field of Classification Search**
USPC D7/709, 701, 703, 705, 601, 602, 629;
D9/761; D3/273, 274, 201, 282;
D12/407
CPC A45C 11/20; A47J 47/14
See application file for complete search history.

(56) **References Cited**

U.S. PATENT DOCUMENTS

3,025,947 A * 3/1962 Hammer A45C 11/20
206/545
3,610,409 A * 10/1971 Graf A45C 11/20
206/541

(57) **CLAIM**

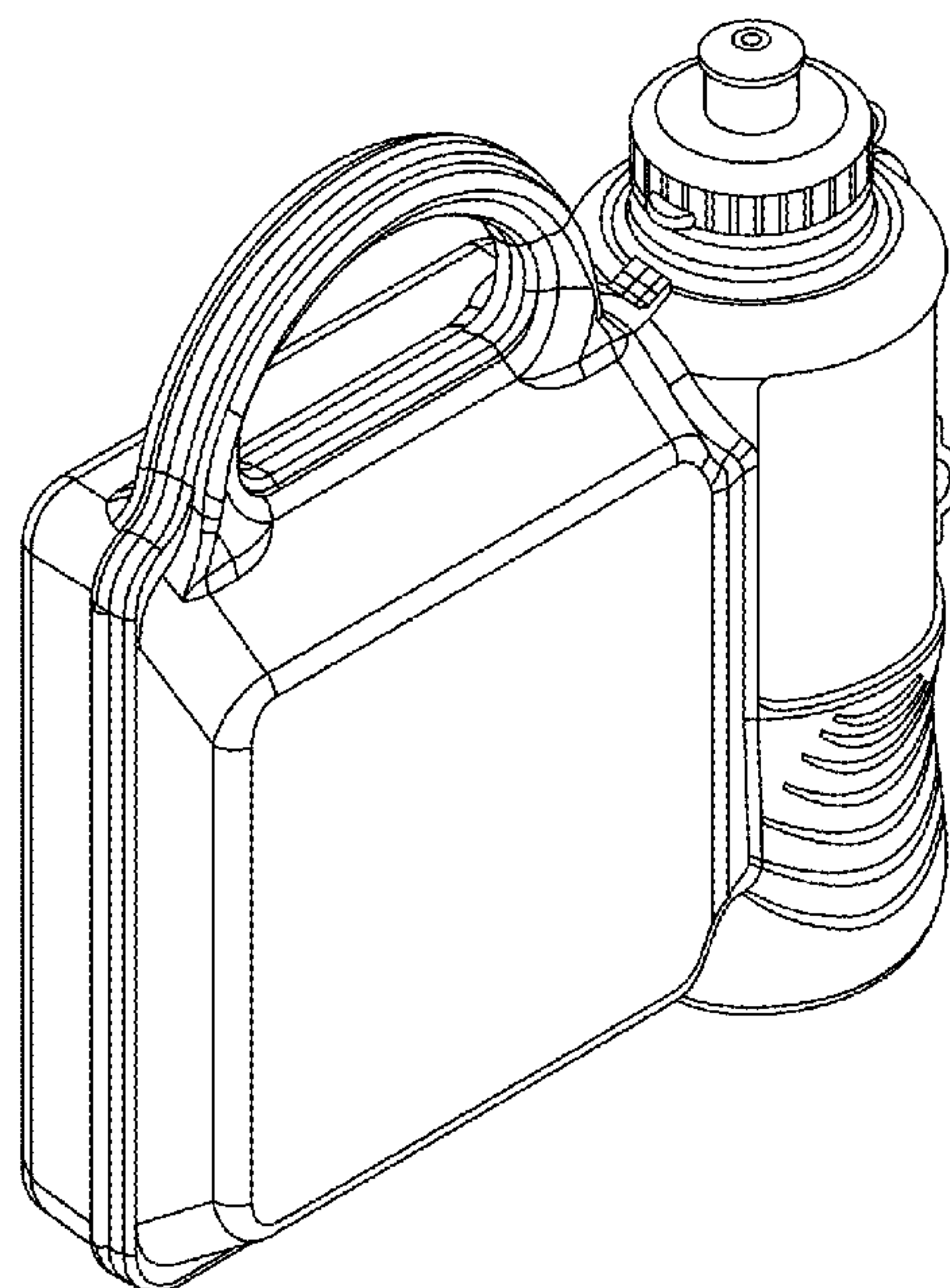
I claim, the ornamental design for a food and drink container, as shown and described.

DESCRIPTION

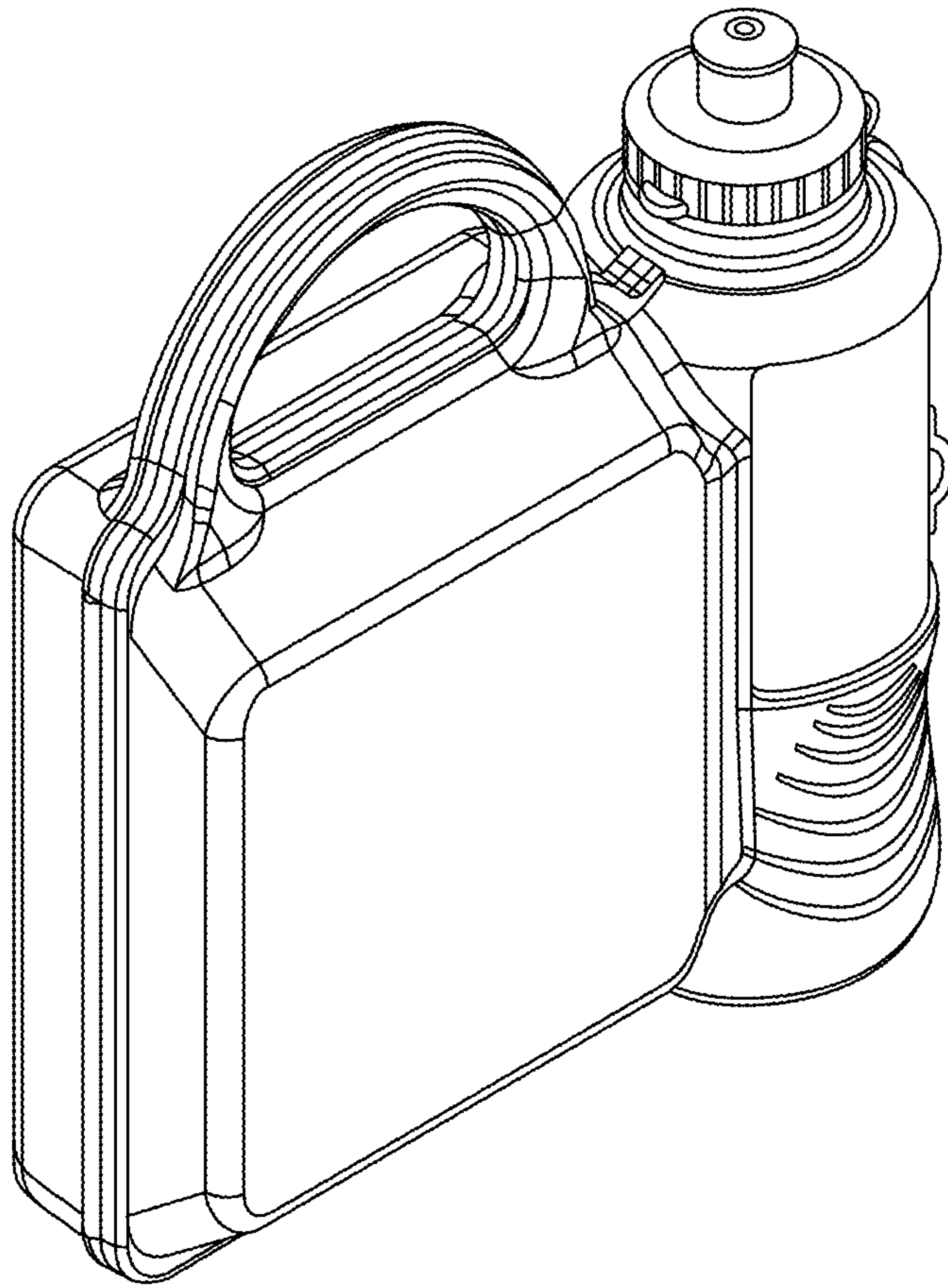
- 1. Food and drink container
- 1.1 is a perspective view of a food and drink container;
- 1.2 is a left view thereof;
- 1.3 is a right view thereof;
- 1.4 is a front view thereof;
- 1.5 is a back view thereof;
- 1.6 is a top view thereof; and
- 1.7 is a bottom view thereof.

The broken lines shown in the figures are included for the purpose of illustrating portions of the food and drink container and form no part of the claimed design.

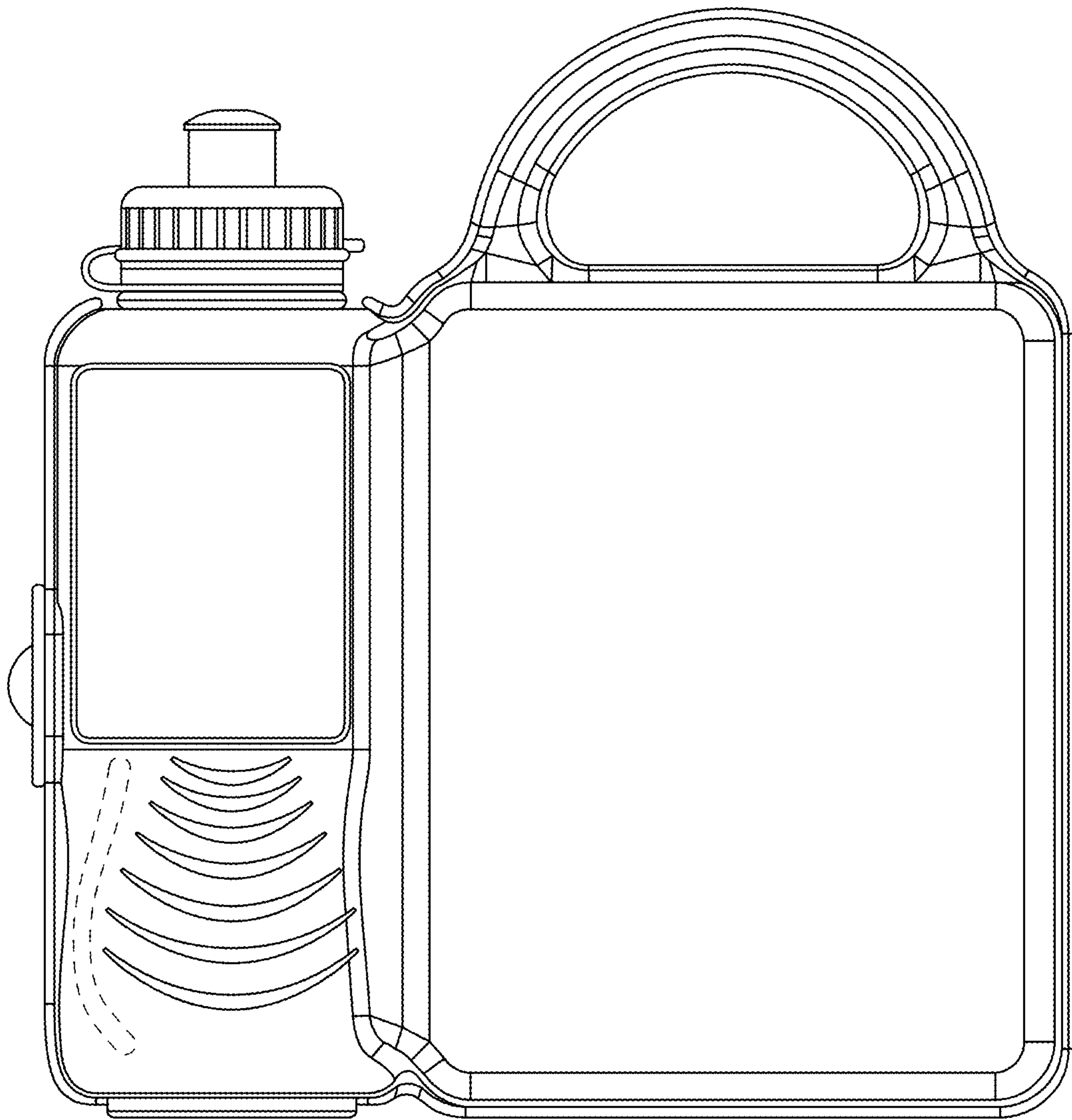
1 Claim, 7 Drawing Sheets



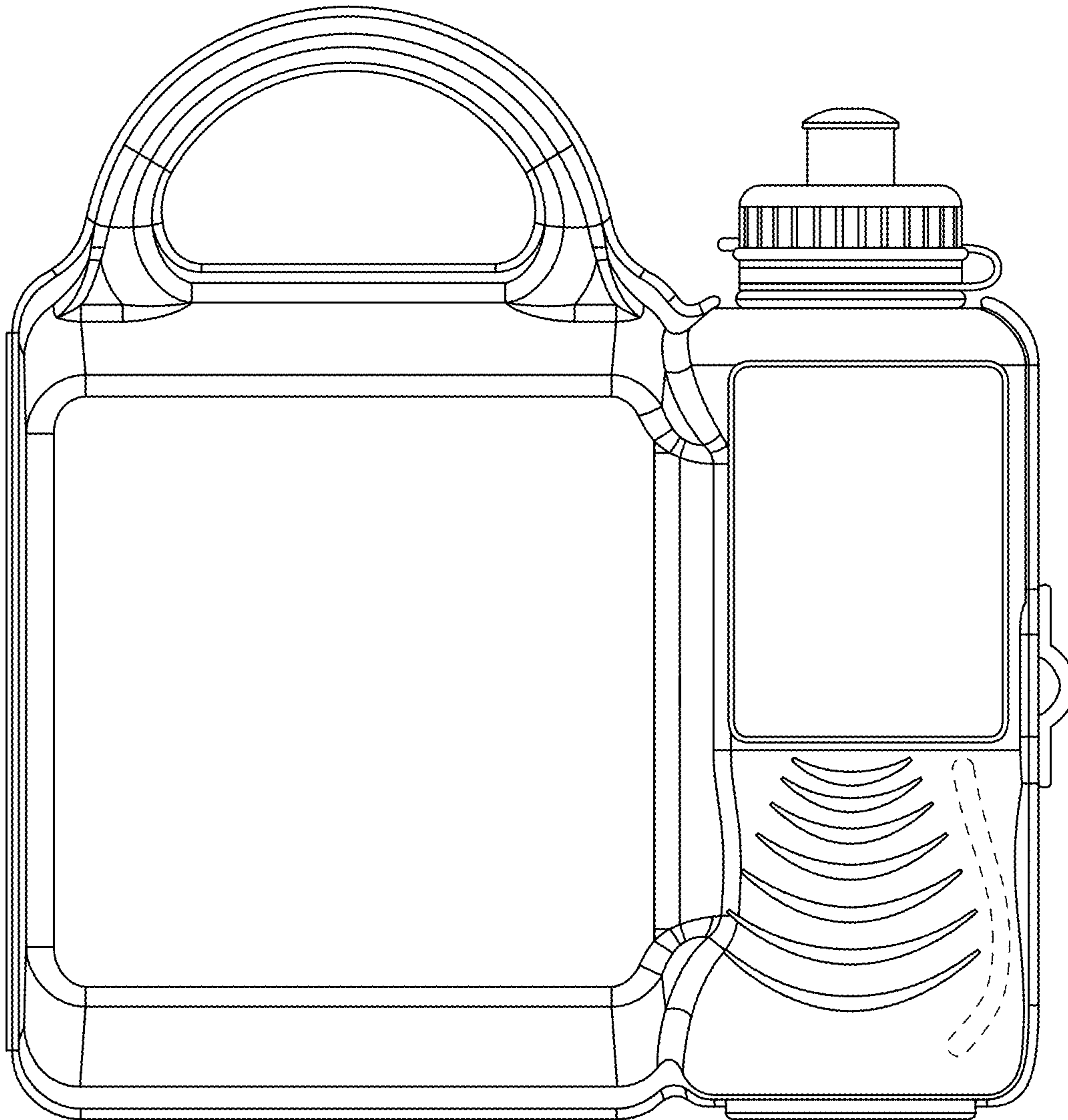
1.1



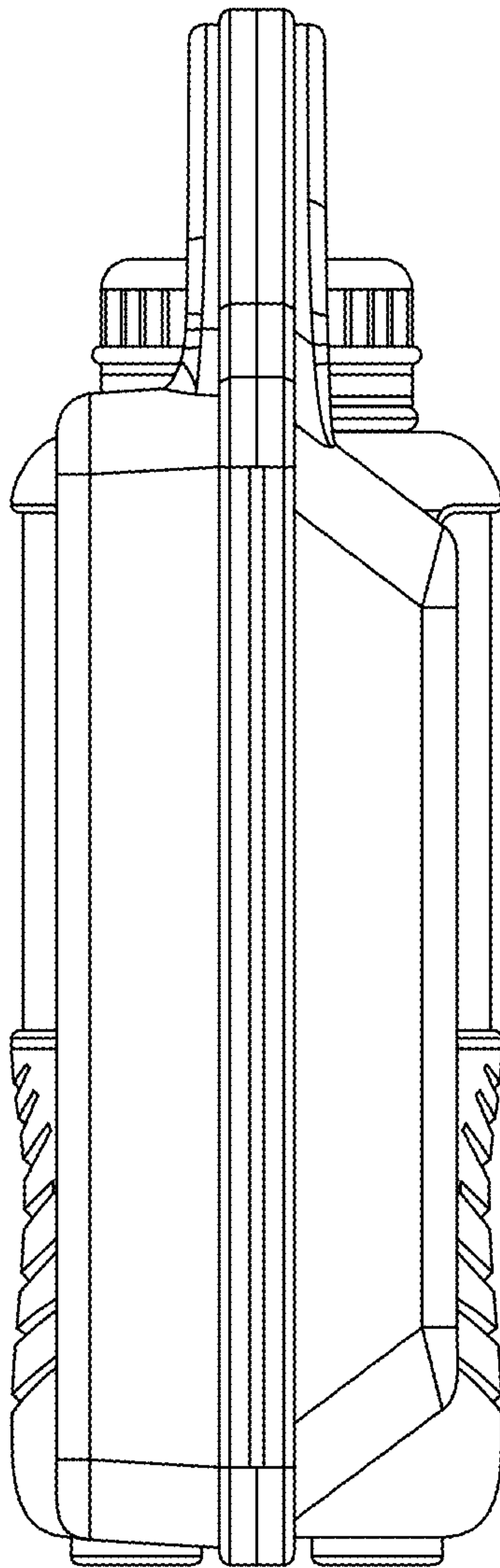
1.2



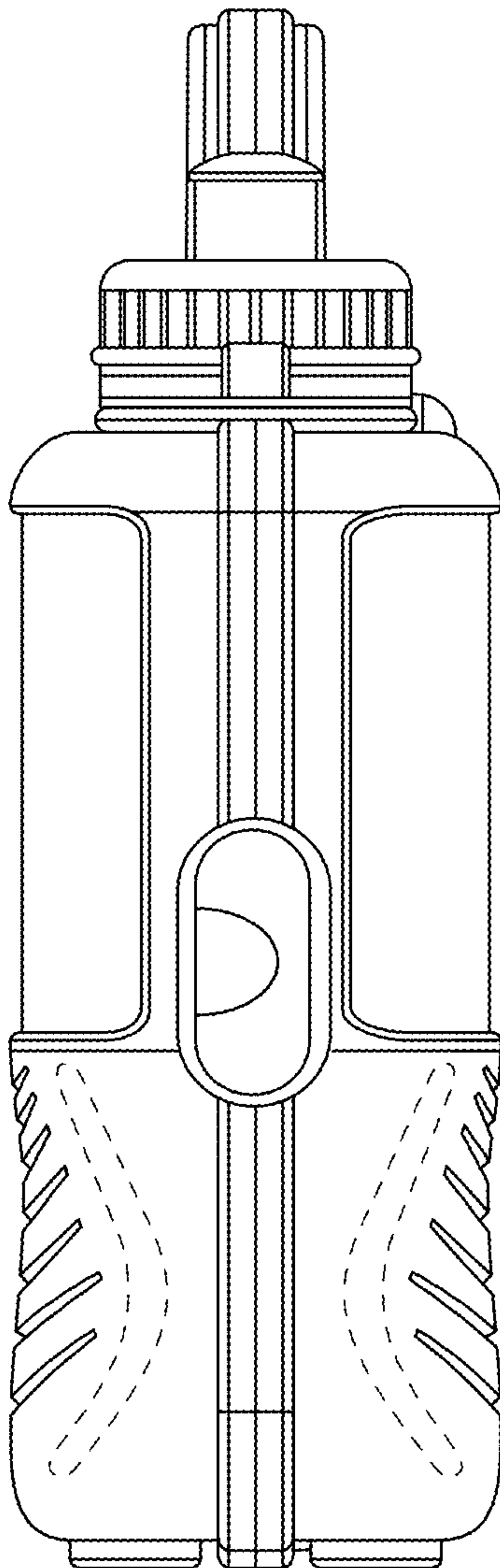
1.3



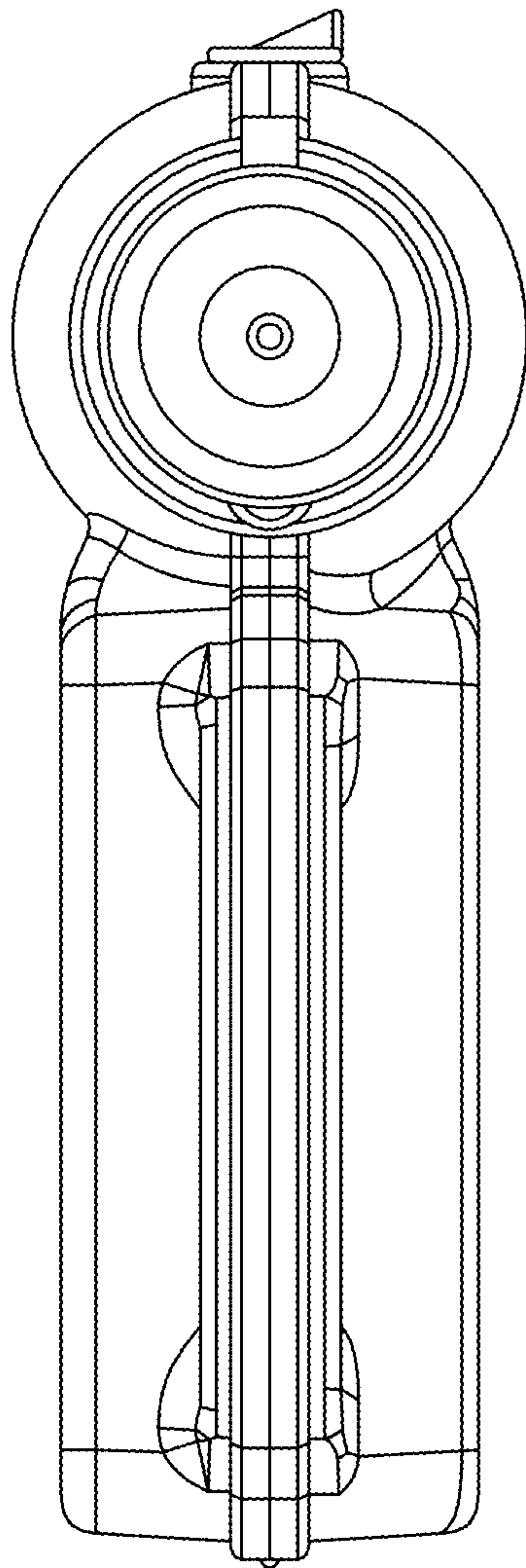
1.4



1.5



1.6



1.7

