



US00D822443S

(12) **United States Design Patent**  
**Truelson**

(10) **Patent No.:** **US D822,443 S**

(45) **Date of Patent:** **\*\* Jul. 10, 2018**

(54) **SPORK FOR NOODLES IN BROTH**

(71) Applicant: **Trygve Murphy Truelson,**  
Minneapolis, MN (US)

(72) Inventor: **Trygve Murphy Truelson,**  
Minneapolis, MN (US)

(\*\*) Term: **15 Years**

(21) Appl. No.: **29/593,145**

(22) Filed: **Feb. 6, 2017**

(51) **LOC (11) Cl.** ..... **07-03**

(52) **U.S. Cl.**  
USPC ..... **D7/643**

(58) **Field of Classification Search**  
USPC ..... D7/642–654, 662, 664, 666, 669, 672,  
D7/673, 676, 681–683, 687, 688,  
D7/691–697, 401, 401.1, 401.2; 30/147,  
30/149, 150, 322–328; 294/26, 49, 55.5;  
7/109, 110, 113, 137, 138; 16/110.1,  
16/430, 431; 416/70 R

CPC ..... A47G 21/02; A47G 21/06; A47G 21/08;  
A47G 21/04; B26B 11/00; B26B 29/025;  
A47J 43/281; A47J 43/283; A47J 43/284;  
A47J 43/285; A47J 43/286; A47J 43/28

See application file for complete search history.

(56) **References Cited**

**U.S. PATENT DOCUMENTS**

159,545 A *	2/1875	Hagerty	.....	A47G 21/02
				30/150
885,444 A *	4/1908	Cram	.....	A47J 43/1093
				30/325
D84,647 S *	7/1931	Pellow	.....	30/150
2,778,109 A *	1/1957	Haynes	.....	A47G 21/02
				30/324
2,810,957 A *	10/1957	Nelson	.....	A47G 21/02
				30/324
4,535,538 A *	8/1985	Nelson	.....	A47G 21/02
				30/147
D319,375 S *	8/1991	Pasinski	.....	D7/692

D352,641 S *	11/1994	Coquereau	.....	D7/688
D365,255 S *	12/1995	Huen	.....	D7/691
D402,167 S *	12/1998	Durbin	.....	D7/688
D446,091 S *	8/2001	Short	.....	D7/688
D478,789 S *	8/2003	Shin	.....	D7/662
D480,280 S *	10/2003	Schulein	.....	D7/692
D496,565 S *	9/2004	Stewart	.....	D7/691
D498,990 S *	11/2004	White	.....	D7/692
D508,830 S *	8/2005	Moore	.....	D7/688

(Continued)

**OTHER PUBLICATIONS**

“Unusual Stuffing Spoon London 1794 Sterling Silver,” available Mar. 7, 2018, [online], [site visited Mar. 7, 2018]. Available from Internet, URL: <https://www.rubylane.com/item/694606-f4646/Unusual-Stuffing-Spoon-London-1794-Sterling?search=1> (Year: 2018).\*

(Continued)

*Primary Examiner* — Cathron C Brooks

*Assistant Examiner* — Katrina N Gonzalez

(74) *Attorney, Agent, or Firm* — Roy W. Truelson

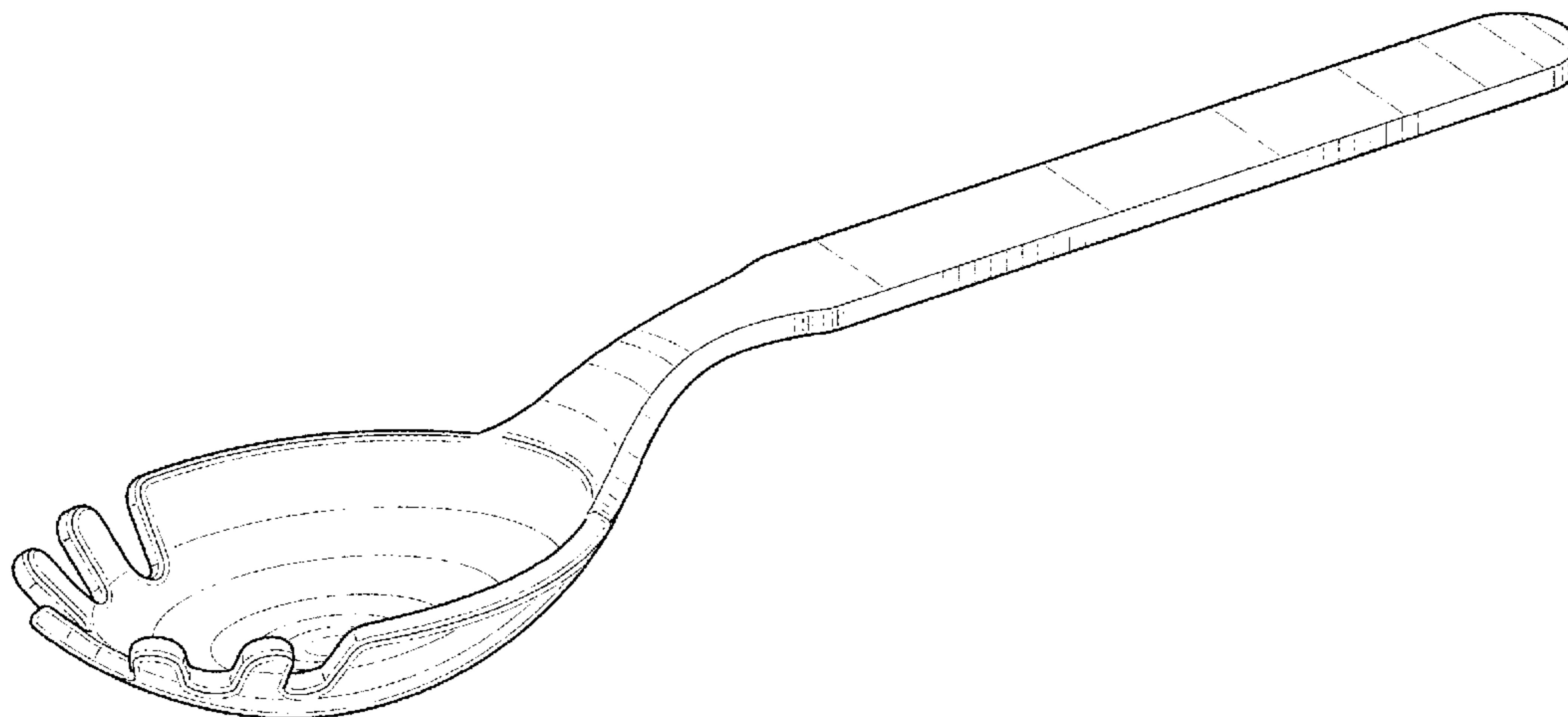
(57) **CLAIM**

The ornamental design for a spork for noodles in broth, as shown and described.

**DESCRIPTION**

FIG. 1 is a top, front, left side perspective view of a spork for noodles in broth of the present invention; FIG. 2 is a top plan view thereof; FIG. 3 bottom plan view thereof; FIG. 4 is a front elevational view thereof; FIG. 5 is a rear elevational view thereof; FIG. 6 is a left side view thereof, the right side being a mirror image of the left side; and, FIG. 7 is a cross-sectional view, cut along the plane of the longitudinal centerline of FIG. 2.

**1 Claim, 4 Drawing Sheets**



(56)

**References Cited**

U.S. PATENT DOCUMENTS

D525,087 S *	7/2006	Vaishnav .....	D7/643
D544,313 S *	6/2007	Chisholm .....	D7/643
D598,720 S *	8/2009	Wu .....	D7/692
D695,081 S *	12/2013	Graham .....	D7/401.2
D704,518 S *	5/2014	Genatossio .....	D7/688
D712,709 S *	9/2014	Pau .....	D7/686
D753,964 S *	4/2016	Schuler .....	D7/692
D753,965 S *	4/2016	Schuler .....	D7/692
D778,120 S *	2/2017	Mou .....	D7/401.2
D805,859 S *	12/2017	Zhang .....	D7/692
D808,235 S *	1/2018	Spagnolo .....	D7/692

OTHER PUBLICATIONS

“Amazon,” available Oct. 9, 2014, [online], [site visited Mar. 7, 2018]. Available from Internet, URL:<https://www.amazon.com/Melamine-Serving-spaghetti-server-noodle/dp/B00IRIY1GG> (Year: 2014).\*

“Snow Peak Titanium Spork \_ Backcountry,” available Jan. 13, 2003, [online], [site visited Mar. 7, 2018]. Available from Internet, URL:<https://www.backcountry.com/snow-peak-titanium-spork> (Year: 2003).\*

“MOMA Stainless Steel Ramen Spoon Fork Spork,” available Mar. 7, 2018, [online], [site visited Mar. 7, 2018]. Available from Internet, URL:<https://www.ebay.com/itm/MOMA-Stainless-Steel-Ramen-Spoon-Fork-Spork-Easy-Noodle-Eating-Utensil-Chef-Gift-/181607599947> (Year: 2018).\*

“Awesome Promotional Gifts From Nongshim America,” available May 24, 2012, [online], [site visited Mar. 7, 2018]. Available from Internet, URL:<https://www.theramenrater.com/2012/05/24/awesome-promotional-gifts-from-nongshim-america/> (Year: 2012).\*

“50 wooden Spork Spoon,” available Oct. 6, 2017, [online], [site visited Mar. 7, 2018]. Available from Internet, URL:<https://www.aliexpress.com/item/50-100-500-wooden-Spork-Spoon-cream-sampler-tea-spoon-Flat-Edge-Spoon-party-disposable-wedding/32399172292.html> (Year: 2017).\*

Authors Unknown, “Greatest Invention Ever: Spork v2.0”, published on-line at <http://forum.12ozprophet.com/threads/greatest-invention-ever-spork-v2-0.106773/>, Apr. 11, 2006.

\* cited by examiner

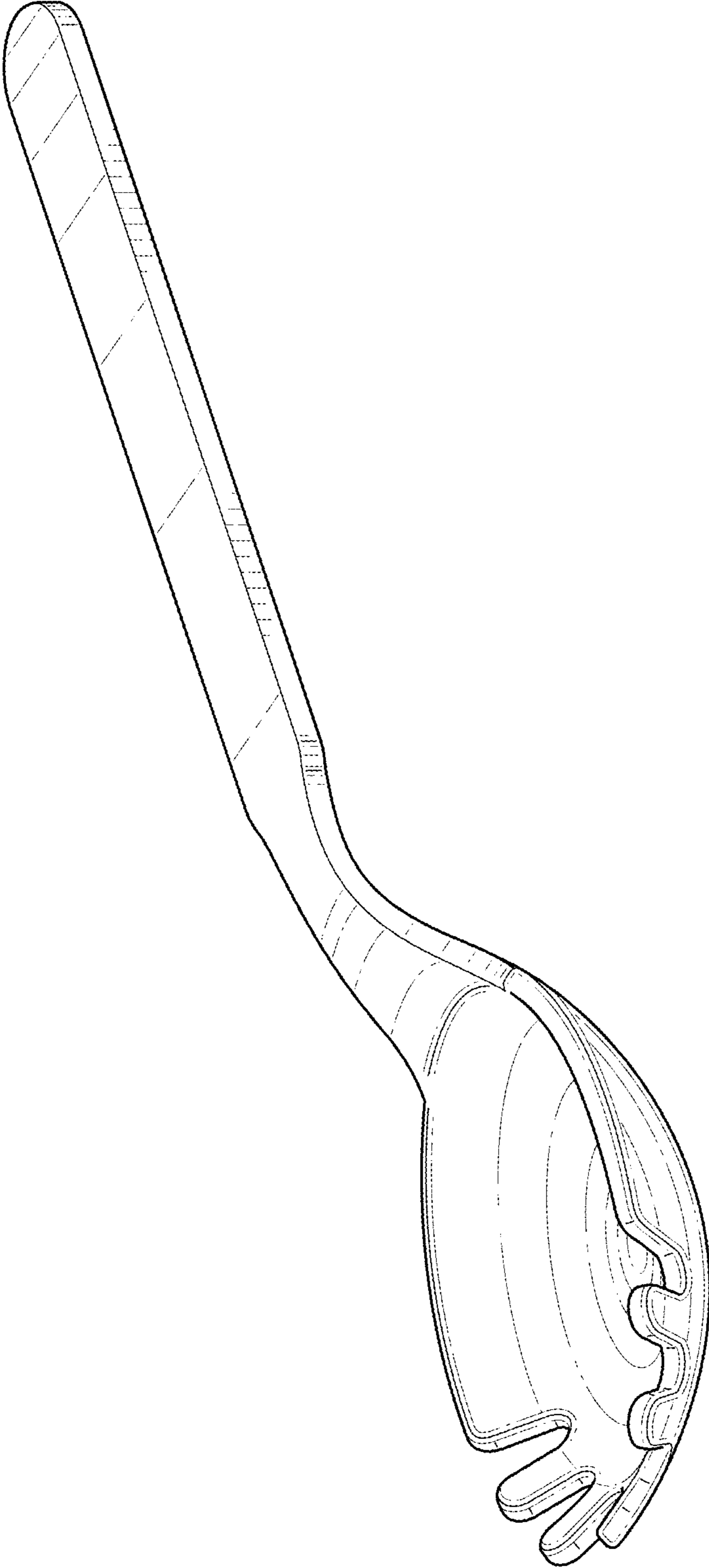


FIG. 1

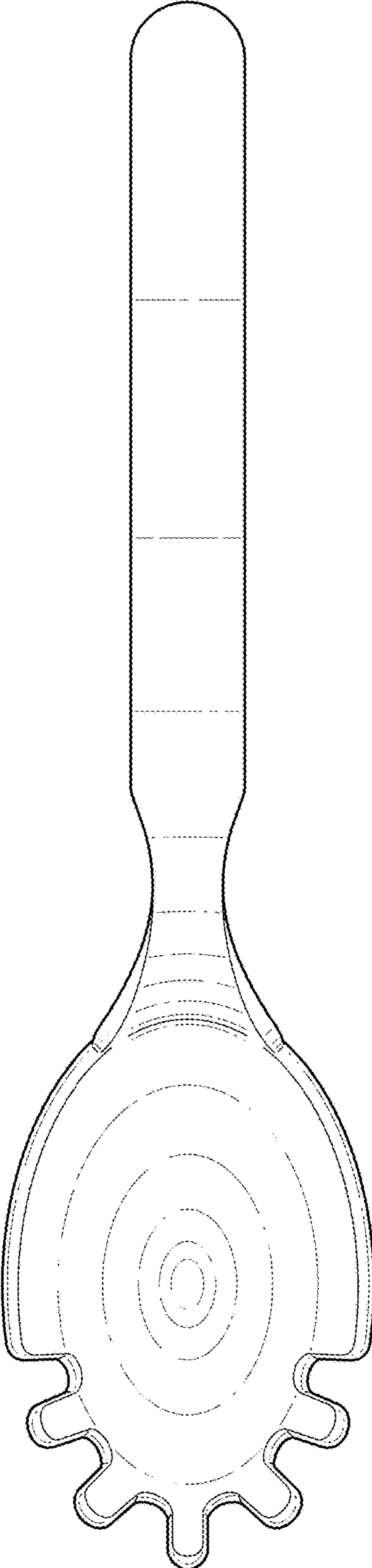


FIG. 2

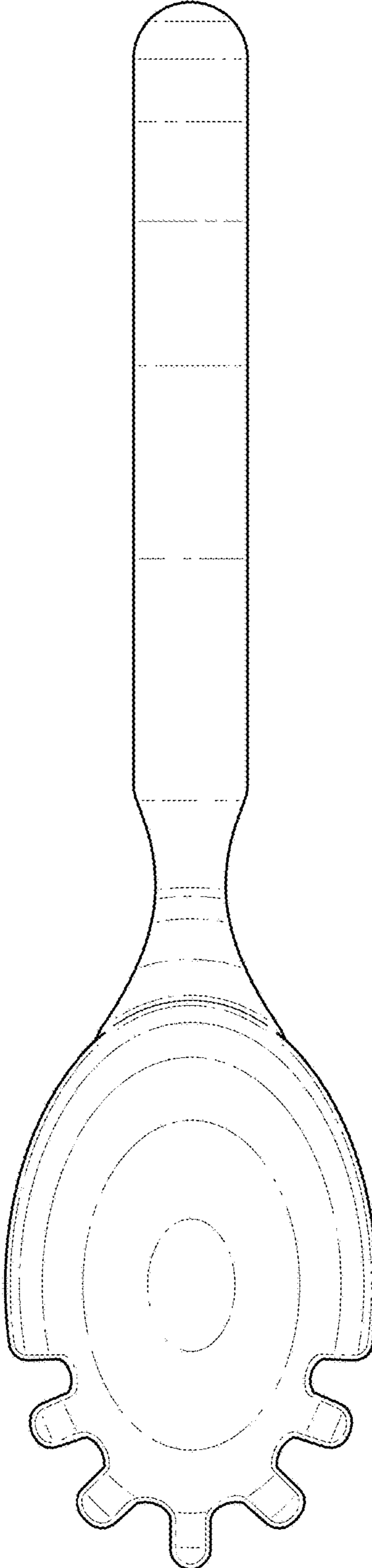


FIG. 3

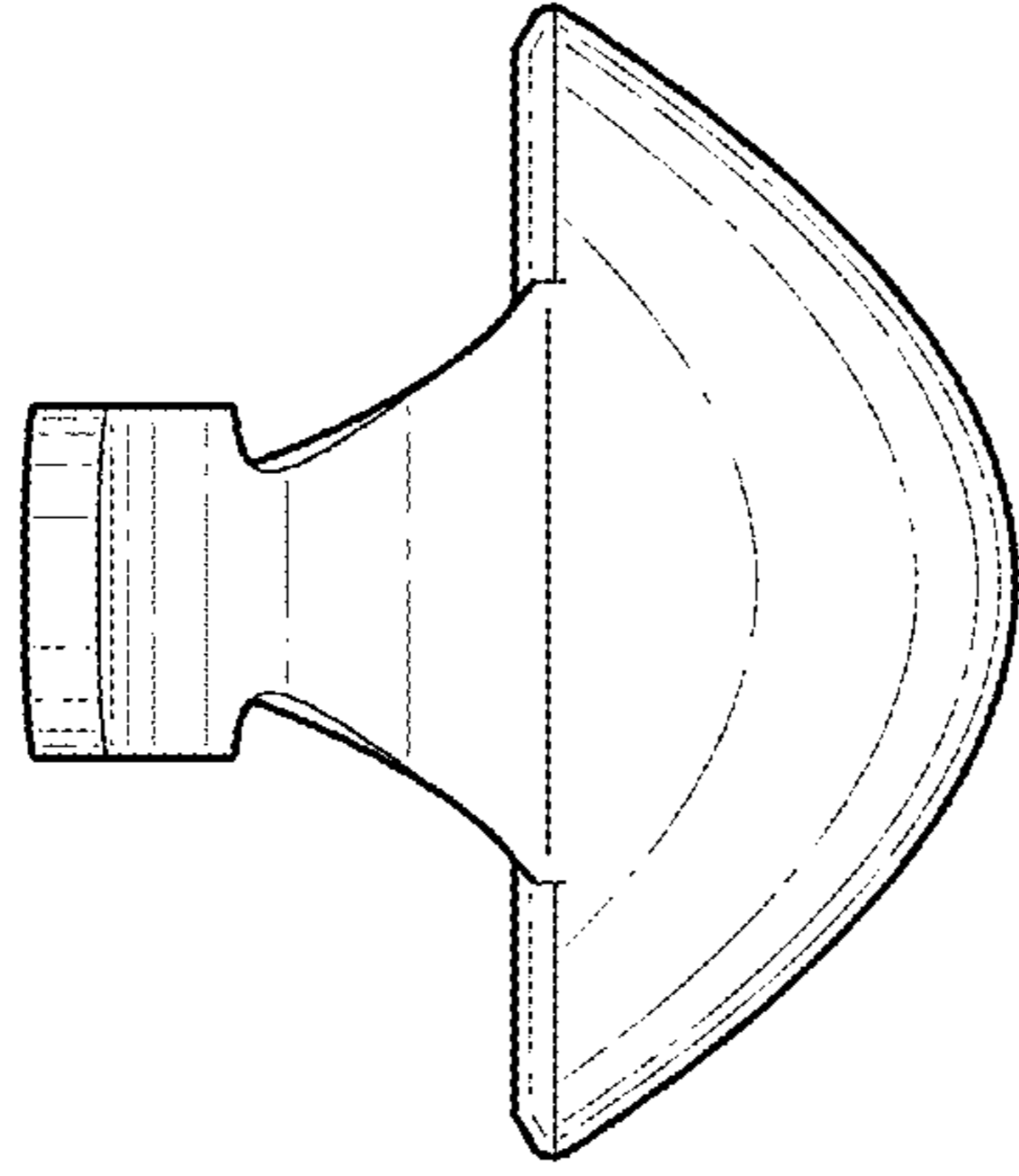


FIG. 5

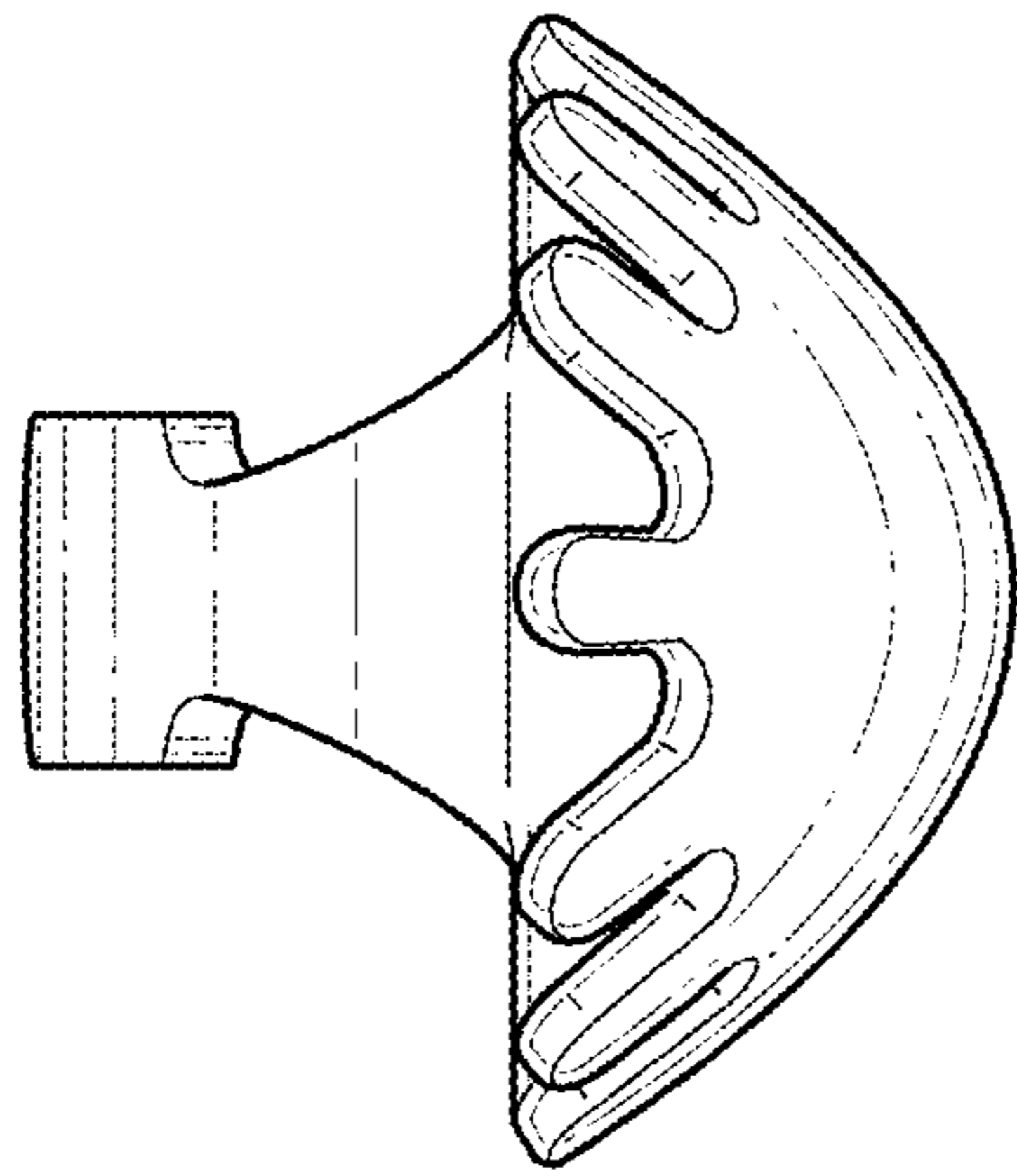


FIG. 4

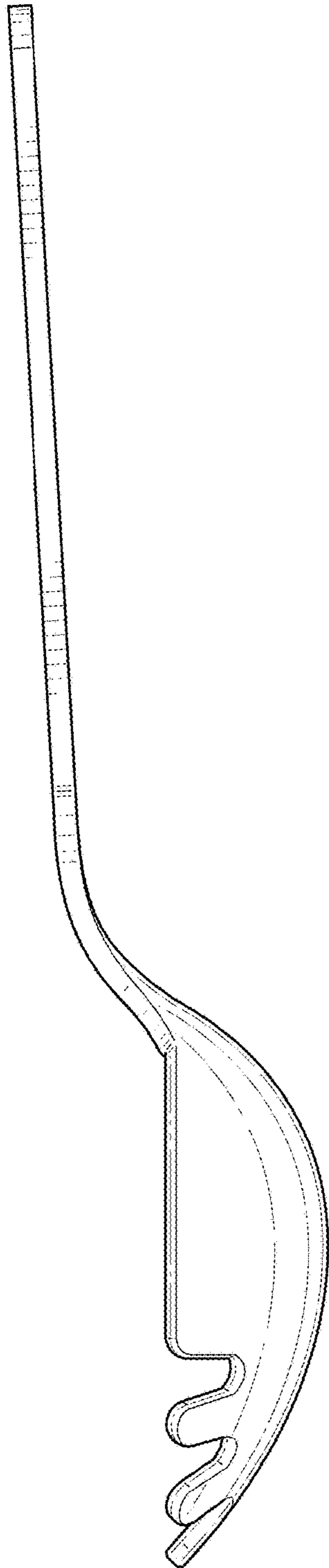


FIG. 6

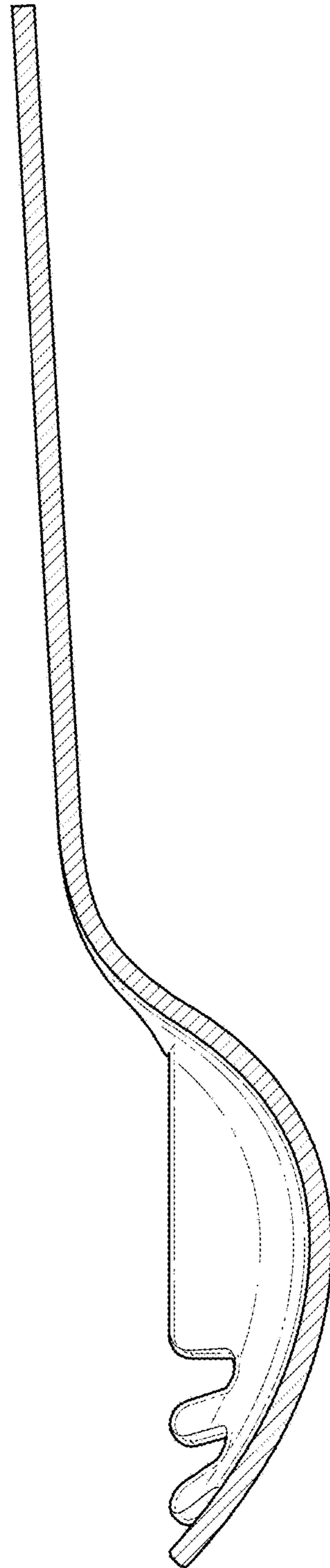


FIG. 7