



US00D822442S

(12) **United States Design Patent**  
**Neuhaus**

(10) **Patent No.:** **US D822,442 S**  
(45) **Date of Patent:** **\*\* Jul. 10, 2018**

- (54) **BREADBOX**
- (71) Applicant: **Westermann KG**, Arnsberg (DE)
- (72) Inventor: **Egbert Neuhaus**, Arnsberg (DE)
- (73) Assignee: **Westermann KG**, Amsberg (DE)
- (\*\*) Term: **15 Years**
- (21) Appl. No.: **29/591,472**
- (22) Filed: **Jan. 20, 2017**
- (51) **LOC (11) Cl.** ..... **07-07**
- (52) **U.S. Cl.**  
USPC ..... **D7/609**
- (58) **Field of Classification Search**  
USPC ..... D7/601, 602, 605, 609, 629, 630, 709,  
D7/710, 606-608, 538-542, 612-615,  
D7/550.1, 551.1, 552.1, 552.2, 553.1,  
D7/553.2, 553.3, 553.4, 553.5, 553.7,  
D7/554.2, 555, 556, 603, 604, 701, 705,  
D7/706, 708, 323, 324, 326, 331, 332,  
D7/337, 339, 340, 341, 346, 347, 350.1,  
D7/350.3, 352, 354, 355, 356, 357, 360,  
D7/362, 363, 364, 365, 366, 367, 672;  
D9/424-432, 445, 500, 501, 503, 504,  
D9/516, 549, 575; D3/201, 265, 266,  
D3/269, 273  
CPC .. B65D 81/3813; B65D 85/50; B65D 85/505;  
B65D 85/52; B65D 2581/3405; B65D  
2581/3406; B65D 2581/3408; A45C  
2013/026; A45C 13/26; A45C 13/02;  
A45C 11/20; A45C 13/10; A45C 13/005;  
B25H 3/02-3/028; B25H 3/00; B25H  
3/003; B25H 3/006; A47J 47/01  
See application file for complete search history.

(56) **References Cited**

**U.S. PATENT DOCUMENTS**

- D106,777 S \* 11/1937 Voigt et al. .... D3/294
- D241,802 S \* 10/1976 Beaubian ..... D7/359

- D250,443 S \* 12/1978 Romanoff ..... D7/359
- D258,722 S \* 3/1981 Commisso ..... D9/423
- D268,560 S \* 4/1983 Daenen ..... D7/542
- D269,249 S \* 6/1983 Cillario ..... D9/424
- D301,819 S \* 6/1989 Watson ..... D7/542
- 4,892,213 A \* 1/1990 Mason, Jr. .... A47G 19/02  
206/508
- D322,013 S \* 12/1991 Daenen ..... D7/502
- D330,312 S \* 10/1992 Narsutis ..... D7/629
- D337,049 S \* 7/1993 Morgan ..... D9/420
- D357,161 S \* 4/1995 Booten ..... D7/538

(Continued)

*Primary Examiner* — Shannon W Morgan

(74) *Attorney, Agent, or Firm* — Collard & Roe, P.C.

(57) **CLAIM**

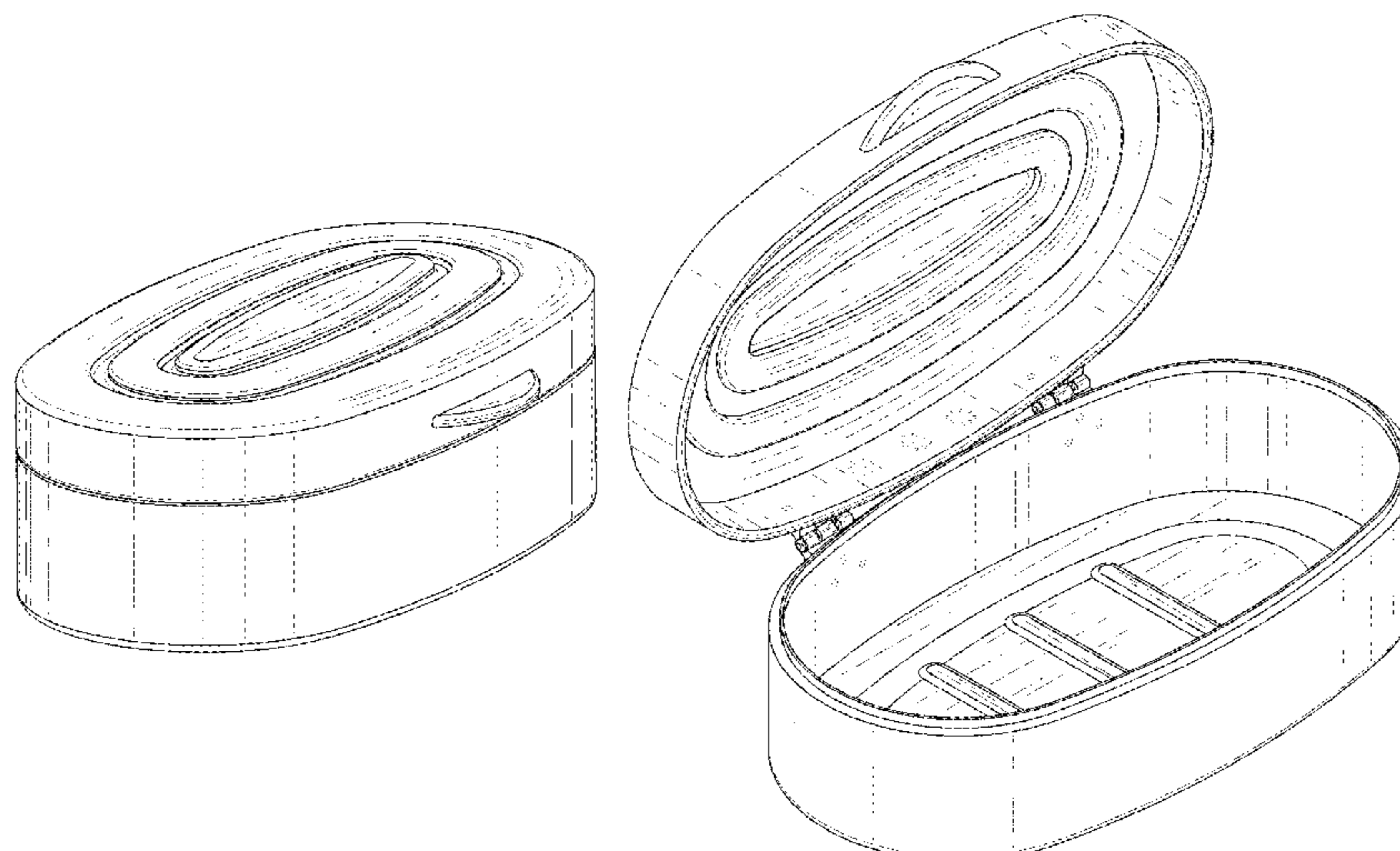
The ornamental design for a breadbox, as shown and described.

**DESCRIPTION**

- FIG. 1 is a front view of a breadbox, showing my new design;
- FIG. 2 is a left side view thereof;
- FIG. 3 is a rear view thereof;
- FIG. 4 is a right side view thereof;
- FIG. 5 is a top view thereof;
- FIG. 6 is a bottom view thereof;
- FIG. 7 is a top, front and left side perspective view thereof;
- FIG. 8 is a front and left side perspective view thereof, with the cover open;
- FIG. 9 is a lateral cross-section thereof along lines 9-9 of FIG. 1;
- FIG. 10 is a longitudinal cross-section thereof along lines 10-10 of FIG. 4; and,
- FIG. 11 is an enlargement of one of the hinges shown in FIG. 3.

The broken lines in the figures depict portions of the breadbox that form no part of the claimed design.

**1 Claim, 7 Drawing Sheets**



(56)

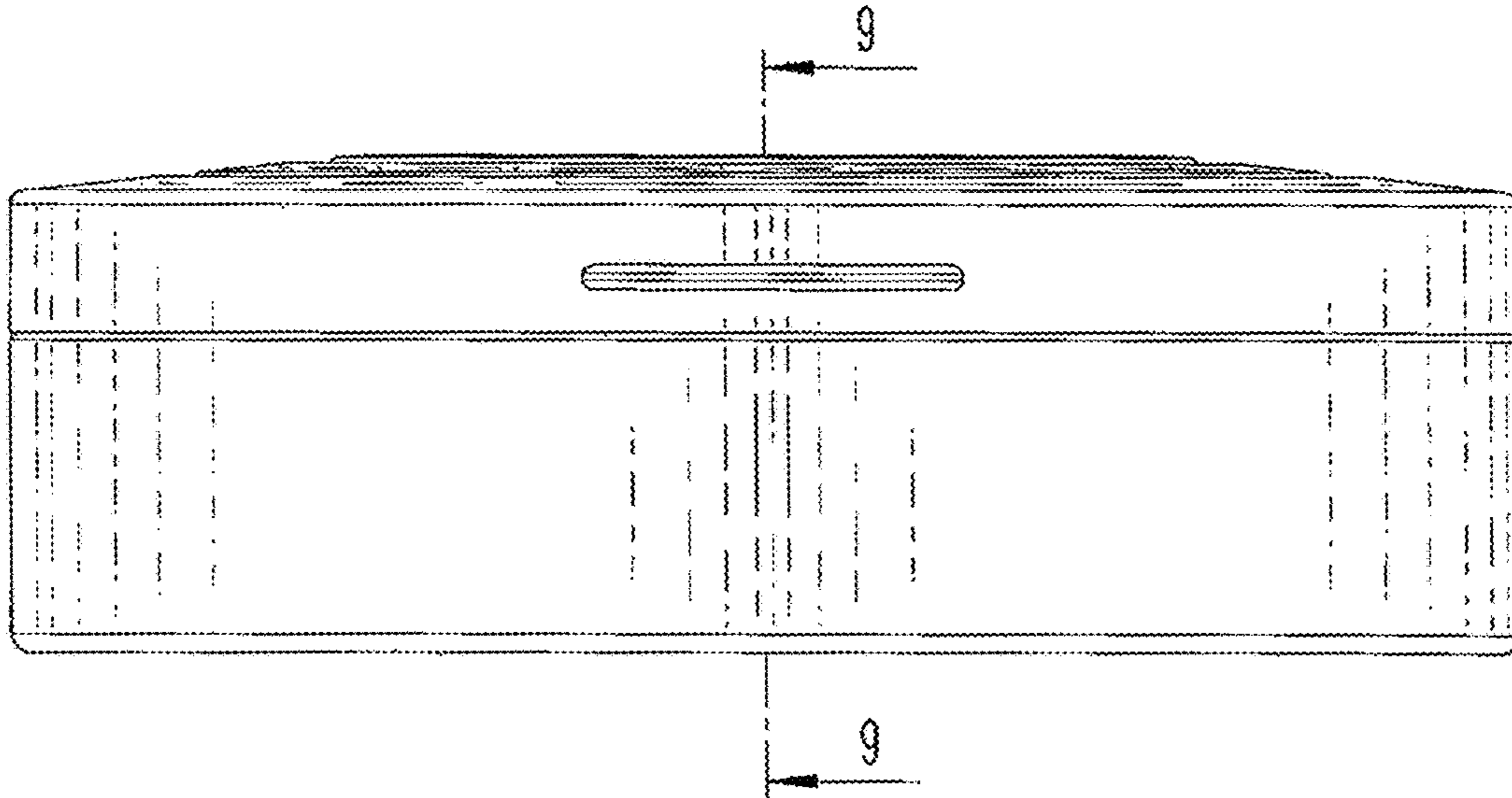
**References Cited**

## U.S. PATENT DOCUMENTS

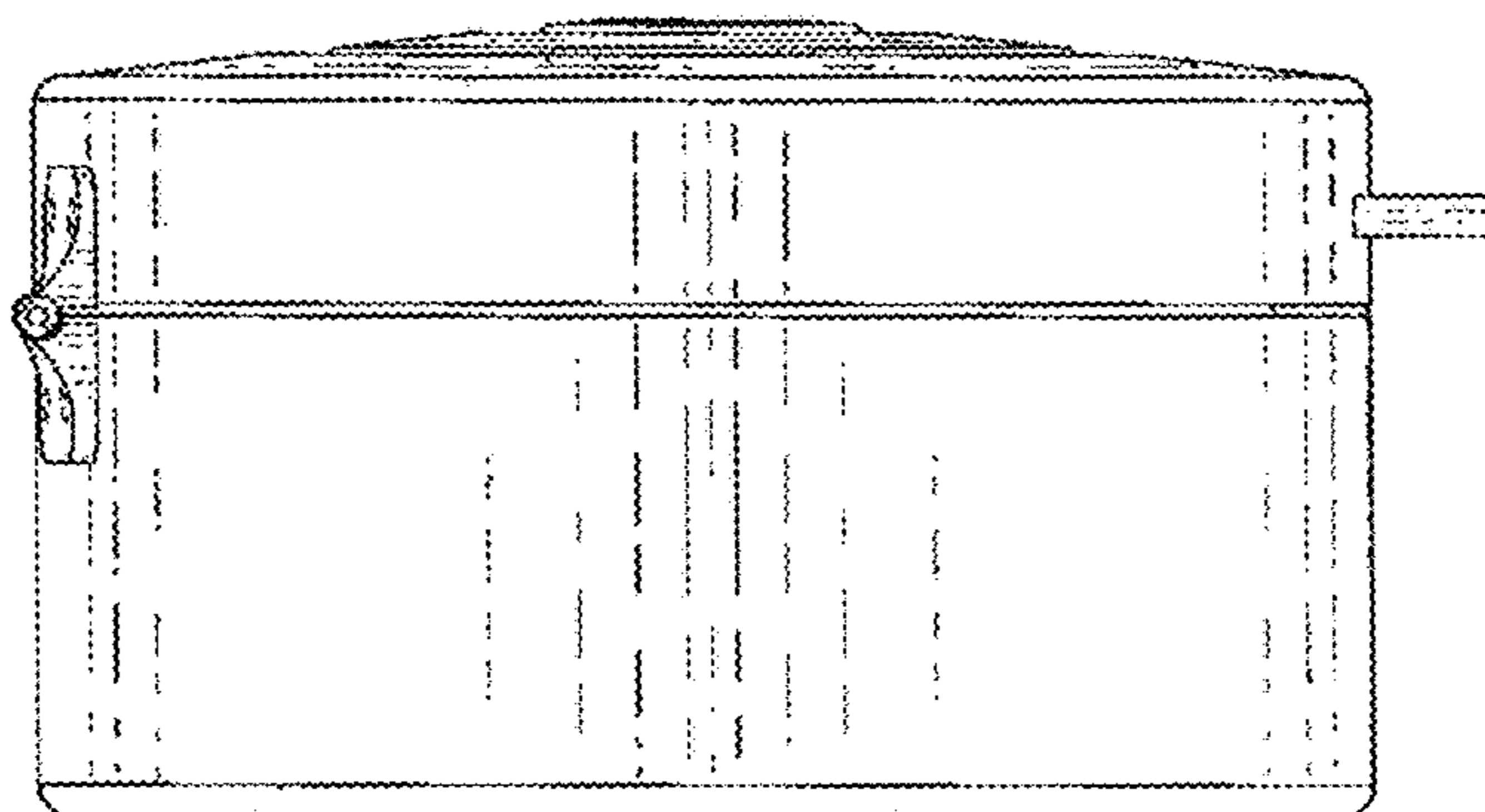
D367,211	S	*	2/1996	Cautereels	.....	D3/294
D368,626	S	*	4/1996	Hentz	.....	D7/360
D372,169	S	*	7/1996	Newman	.....	D28/78
D379,138	S	*	5/1997	Carlson	.....	D7/629
D381,560	S	*	7/1997	Indekeu	.....	D7/505
D383,671	S	*	9/1997	Phillips	.....	D7/629
D406,057	S	*	2/1999	Hager	.....	D9/420
D433,327	S	*	11/2000	Lillelund	.....	D9/416
D449,165	S	*	10/2001	van der Hulst	.....	D3/294
D479,401	S	*	9/2003	Claypool	.....	D3/294
D479,955	S	*	9/2003	Samartgis	.....	D7/629
D489,975	S	*	5/2004	Jackson	.....	D9/425
D496,227	S	*	9/2004	Lawson	.....	D7/609
D516,384	S		3/2006	Neuhaus		
D551,516	S	*	9/2007	Kortleven	.....	D7/629
D600,979	S	*	9/2009	Chen	.....	D7/538
D609,855	S	*	2/2010	Patel	.....	D27/189
D612,906	S	*	3/2010	Reid	.....	D23/209
D617,043	S	*	6/2010	Patel	.....	D27/189
D646,159	S	*	10/2011	Bellamah	.....	D9/424
D649,284	S	*	11/2011	Patel	.....	D27/189
D649,407	S		11/2011	Neuhaus		
D654,788	S	*	2/2012	Bougoulas	.....	D9/424
D665,253	S	*	8/2012	Bellamah	.....	D9/424
D673,430	S	*	1/2013	Glassman	.....	D3/201
D674,688	S	*	1/2013	Loftin	.....	D9/428
D688,938	S	*	9/2013	Bailey	.....	D9/428
D694,102	S	*	11/2013	Bellamah	.....	D9/424
D777,530	S	*	1/2017	Marret	.....	D7/629

\* cited by examiner

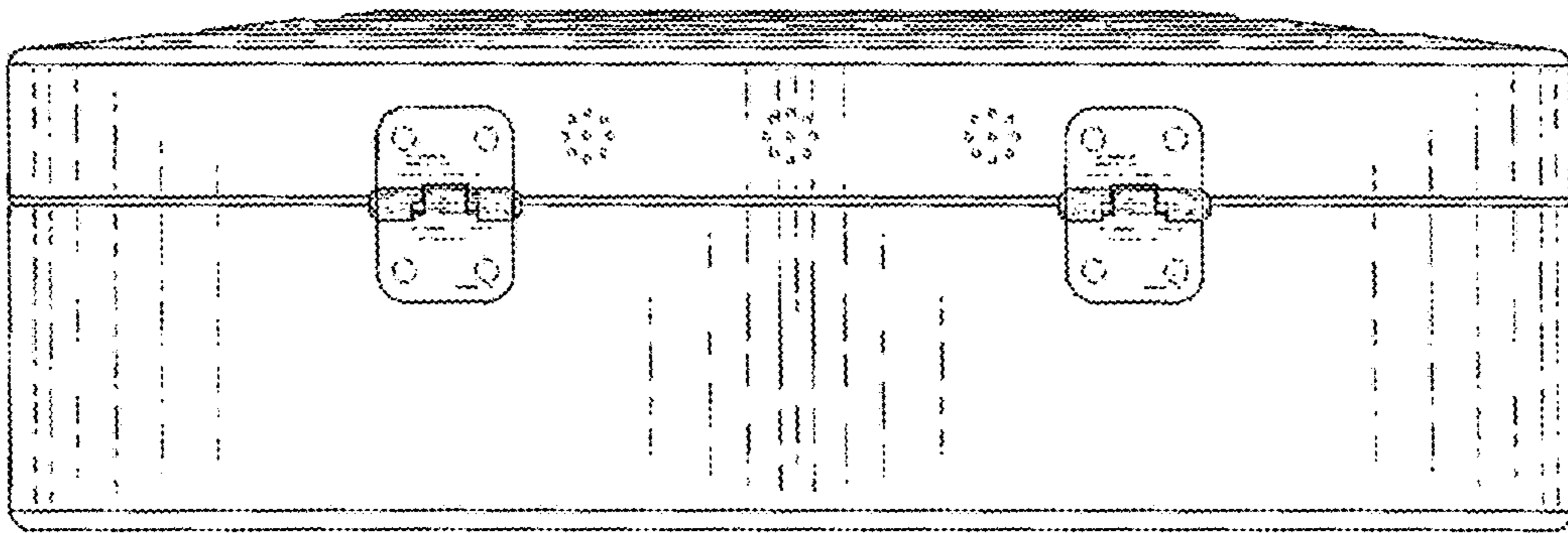
**Fig. 1**



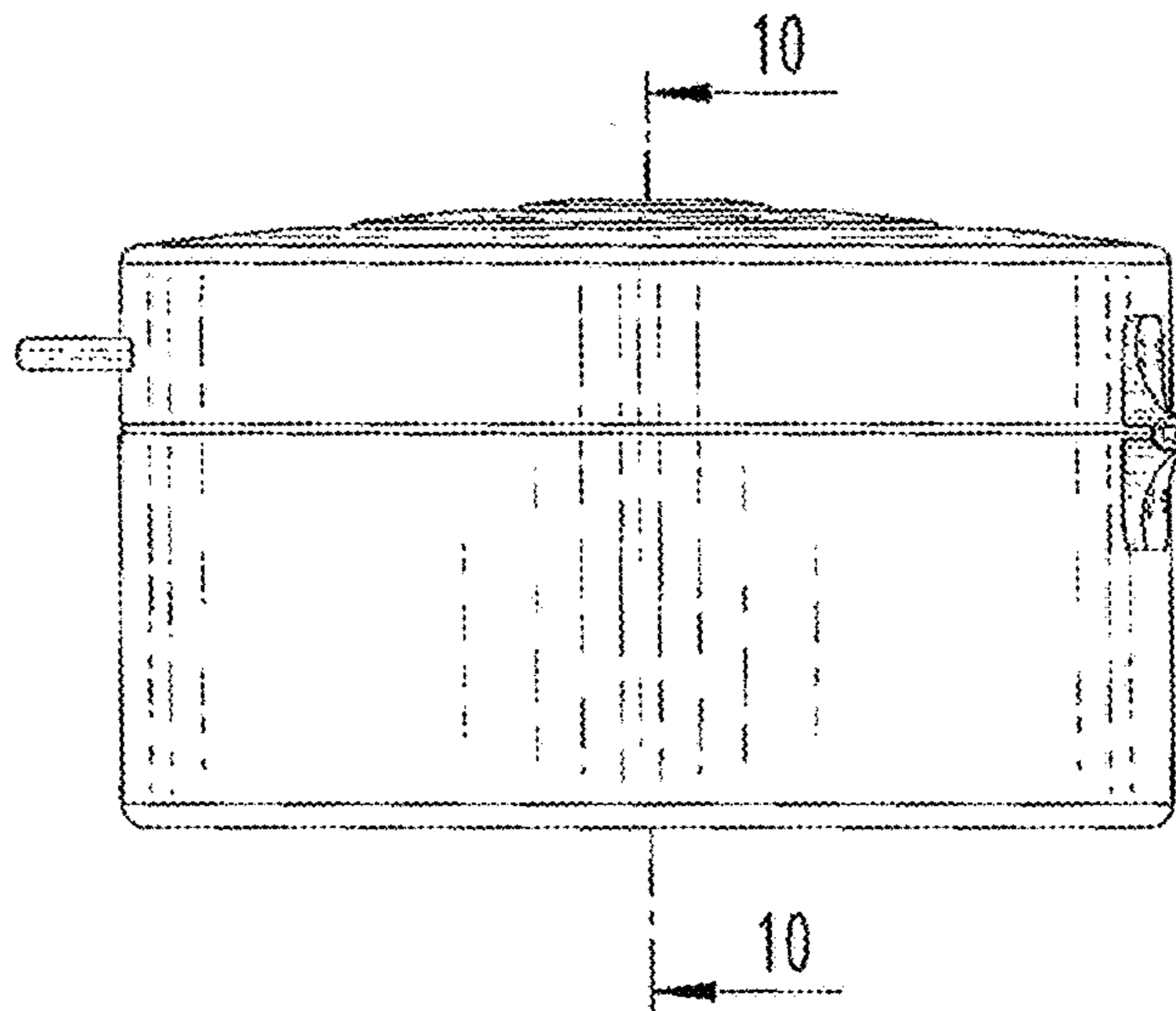
**Fig. 2**



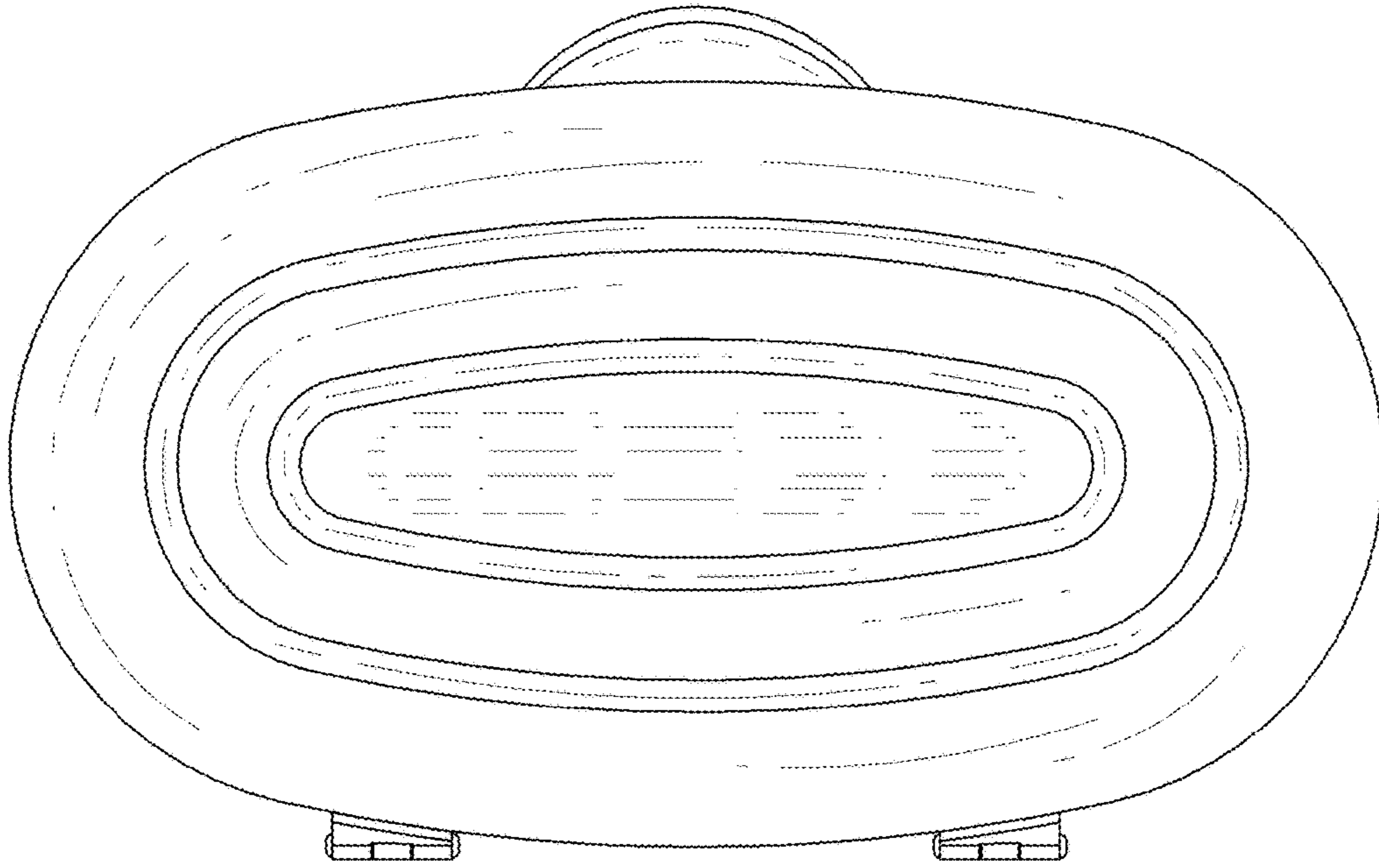
**Fig. 3**



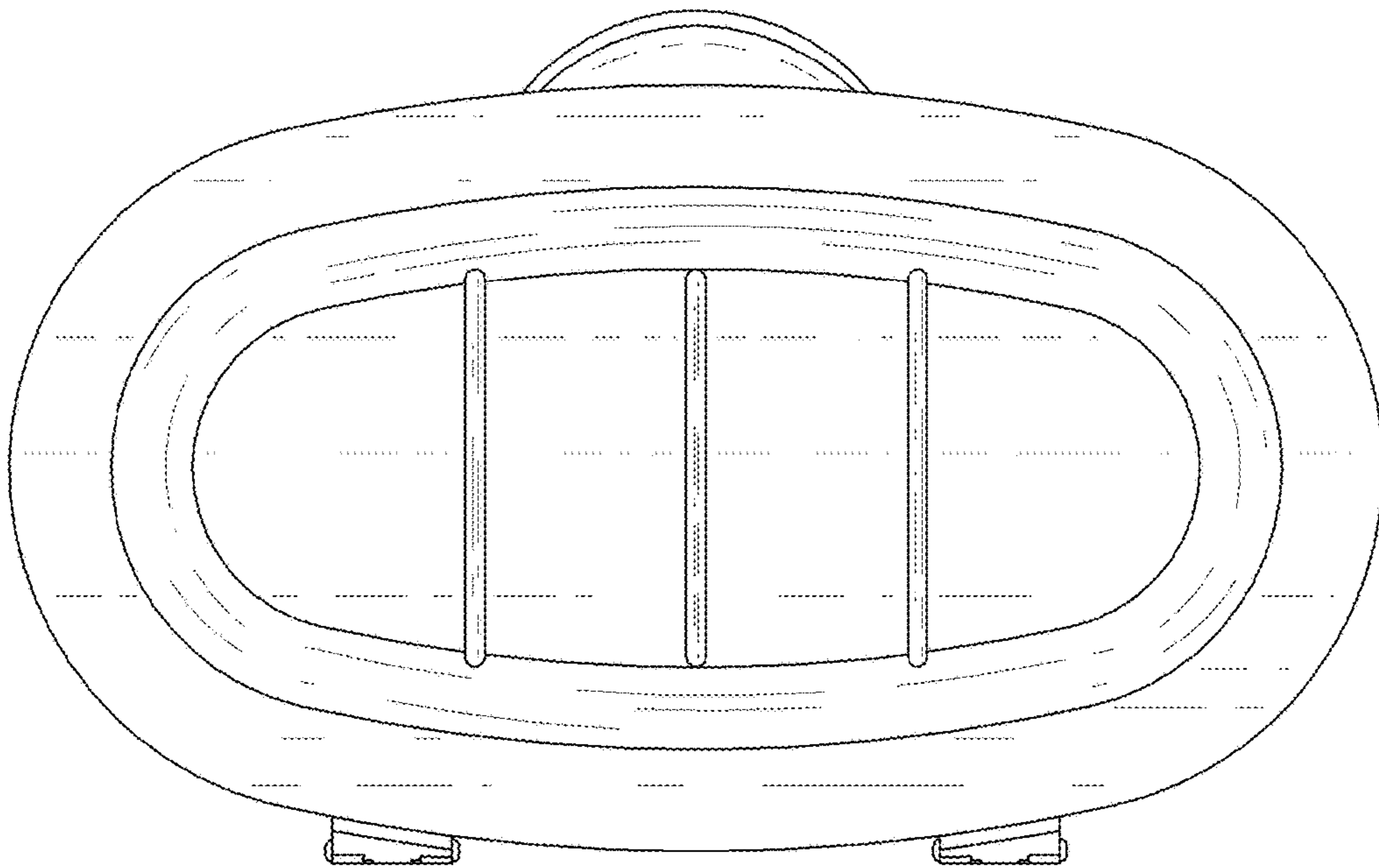
**Fig. 4**



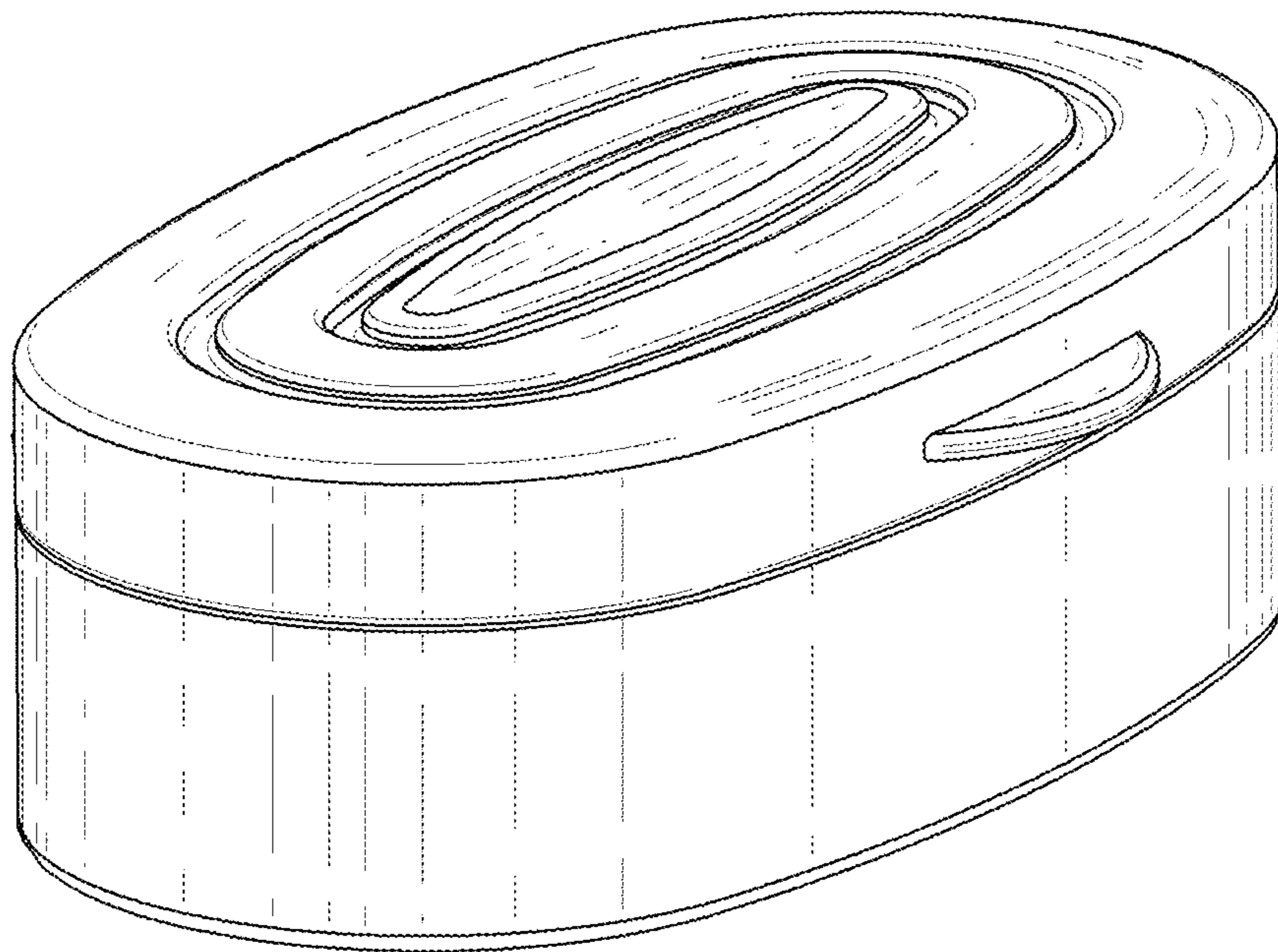
**Fig. 5**



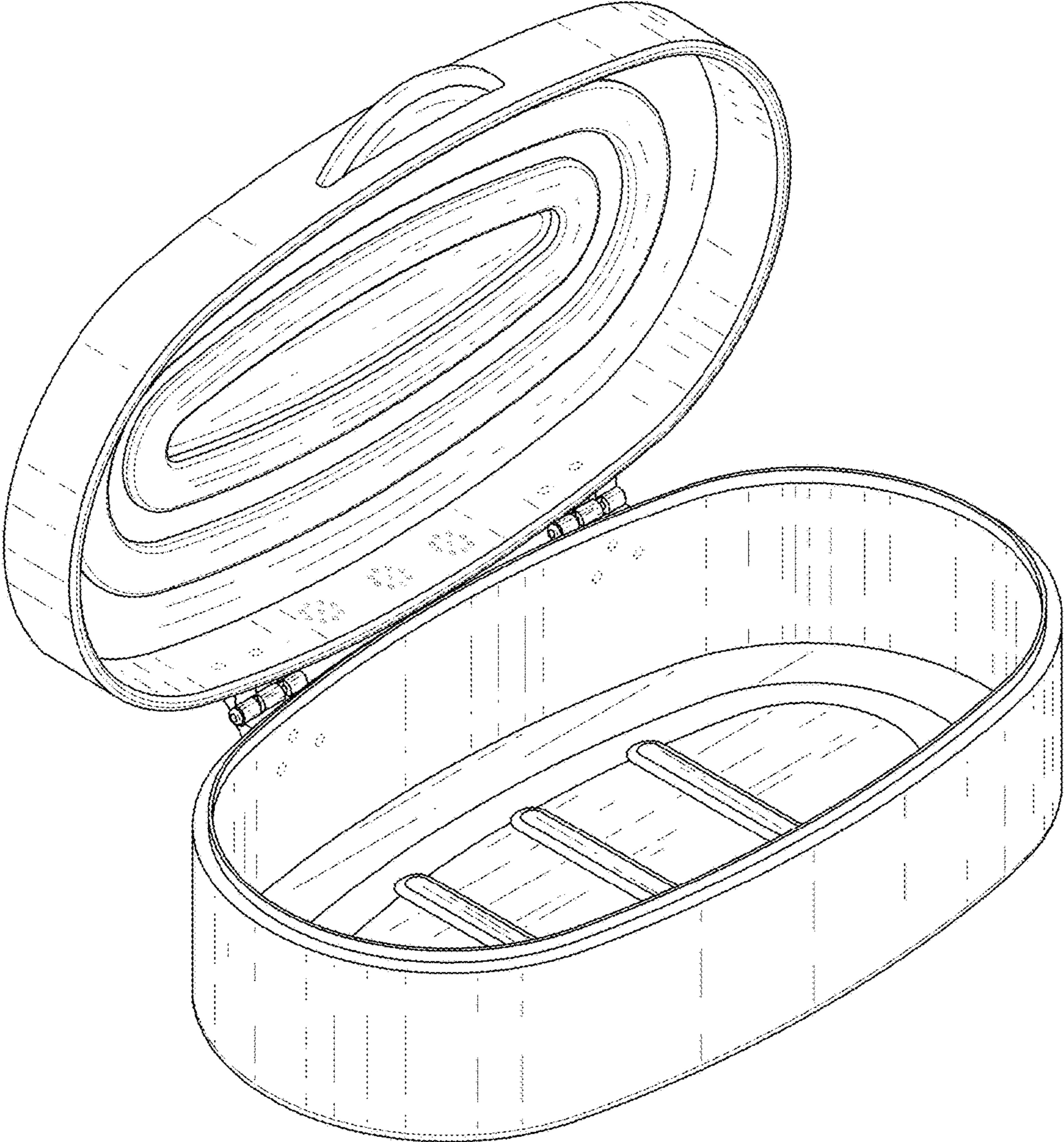
**Fig. 6**



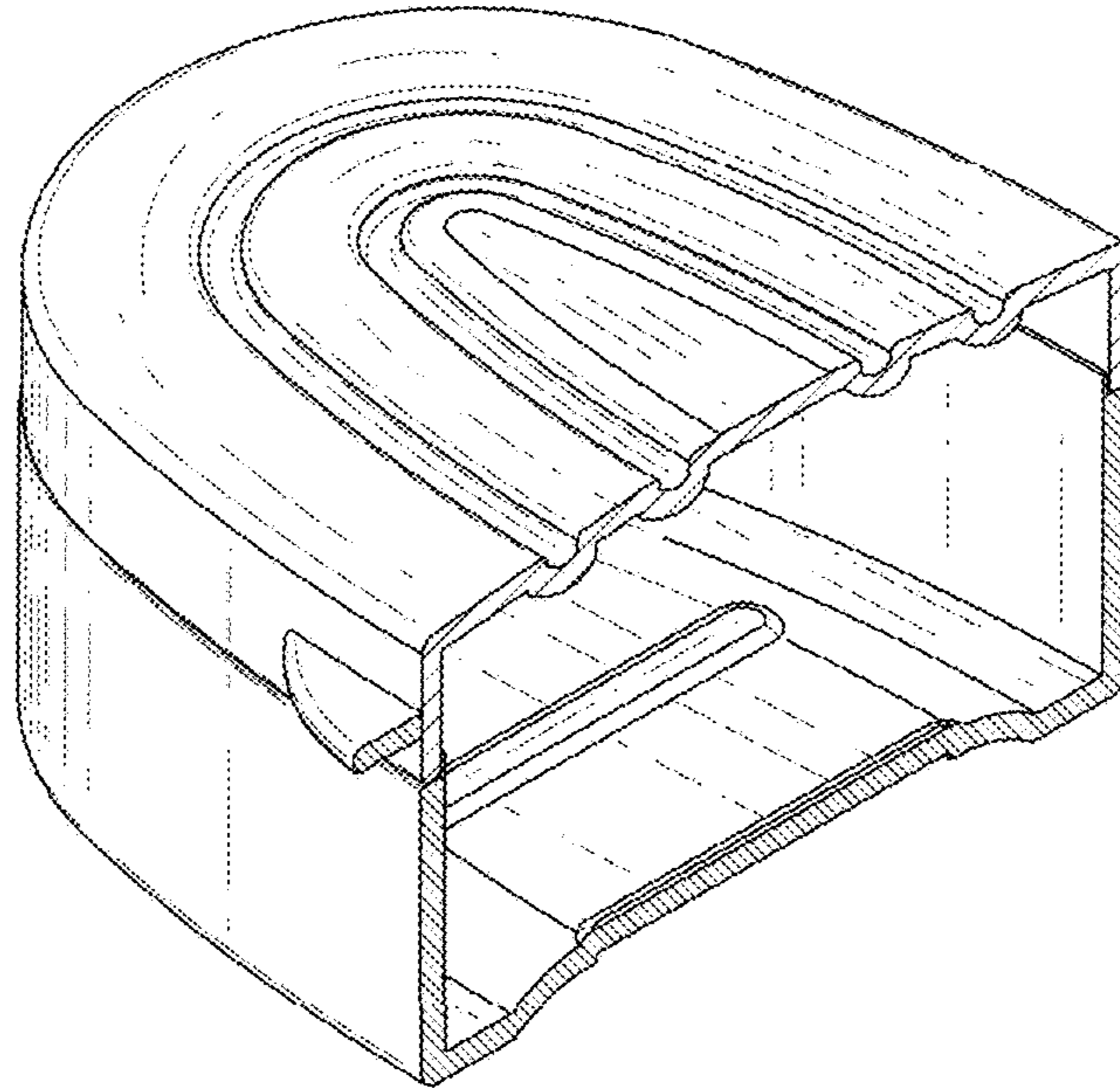
***Fig. 7***



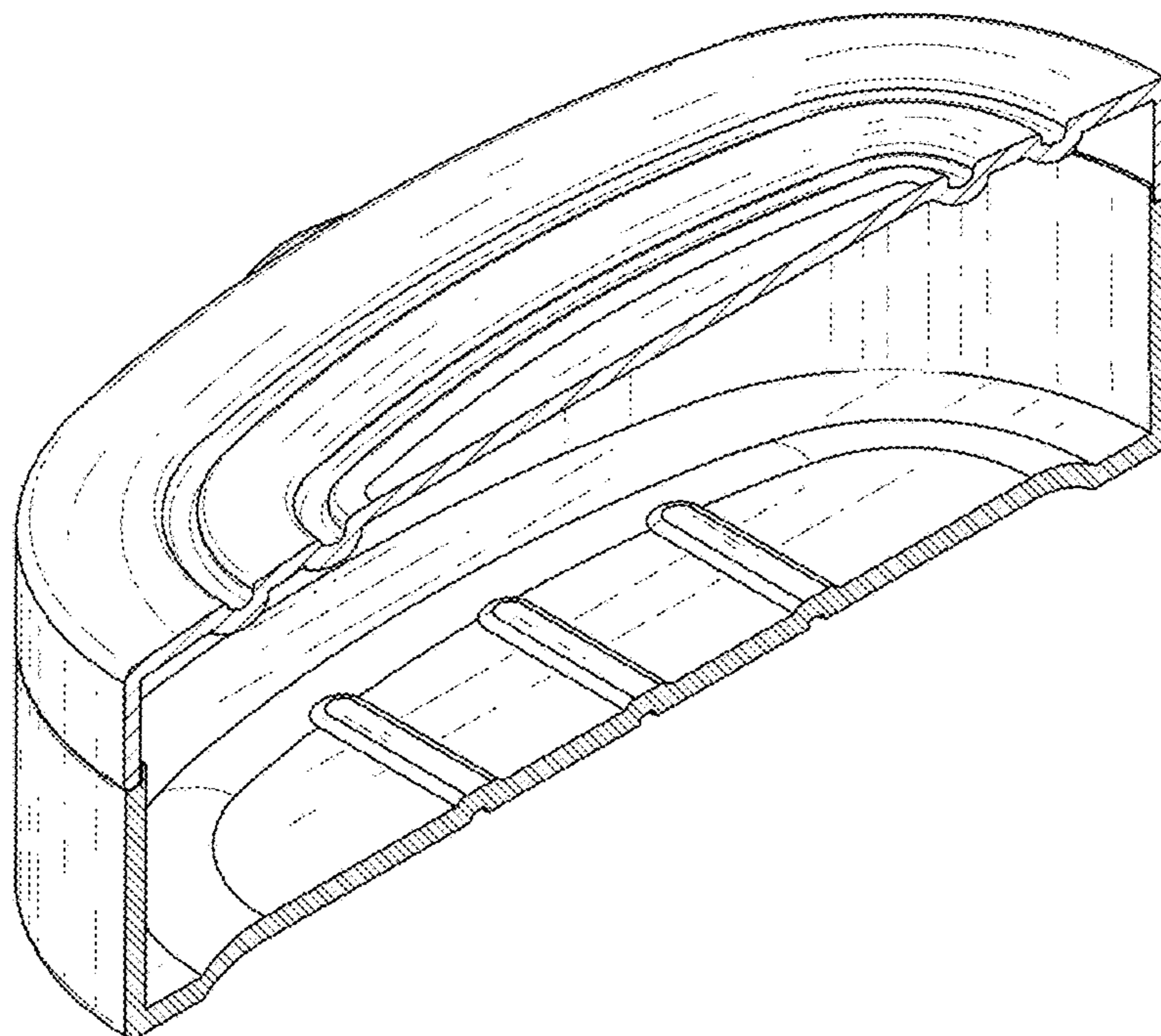
**Fig. 8**



**Fig. 9**



**Fig. 10**





***Fig. 11***

