



US00D822440S

(12) **United States Design Patent**
Kuh et al.

(10) **Patent No.:** **US D822,440 S**
(45) **Date of Patent:** **** Jul. 10, 2018**

(54) **DRINKING CONTAINER**

FOREIGN PATENT DOCUMENTS

(71) Applicant: **Ember Technologies, Inc.**, Westlake Village, CA (US)

KR 3007448710000 5/2014

(72) Inventors: **Christopher Kuh**, San Francisco, CA (US); **Martin Gschwandtl**, San Francisco, CA (US); **Eric Fields**, San Francisco, CA (US)

OTHER PUBLICATIONS

Drinking Container| Votive Candle| posted at Okcandle.com © 2009-2017 Okcandle.com, [online], [site visited Sep. 21, 2017]. Available from Internet, <URL: <http://www.okcandle.com/products/Frosted-round-bottom-votive-candle-glass-cup.html#>. WcQEovkrJqM>.*

(73) Assignee: **Ember Technologies, Inc.**, Westlake Village, CA (US)

(Continued)

(**) Term: **15 Years**

Primary Examiner — Daniel D Bui

(21) Appl. No.: **29/570,335**

Assistant Examiner — Andrew Kerr

(22) Filed: **Jul. 7, 2016**

(74) *Attorney, Agent, or Firm* — Knobbe, Martens, Olson & Bear LLP

(51) **LOC (11) Cl.** **07-01**

(52) **U.S. Cl.**
USPC **D7/536**; D7/509; D7/533

(57) **CLAIM**

We claim the ornamental design for a drinking container, as shown and described.

(58) **Field of Classification Search**
USPC D6/524, 531, 534, 535; D7/534, 509, D7/523, 600, 602, 619.1; D19/65, 81, D19/84, 90, 95; D34/1
CPC A47G 19/22; A47G 19/2205; A47G 19/2288; A47J 27/21008

DESCRIPTION

See application file for complete search history.

FIG. 1 is a perspective top view of a new design for a drinking container showing our new design; FIG. 2 is a top view thereof; FIG. 3 is a bottom view thereof; FIG. 4 is a left side view thereof; FIG. 5 is a right side view thereof; FIG. 6 is a front view thereof; and, FIG. 7 is a rear view thereof.

(56) **References Cited**

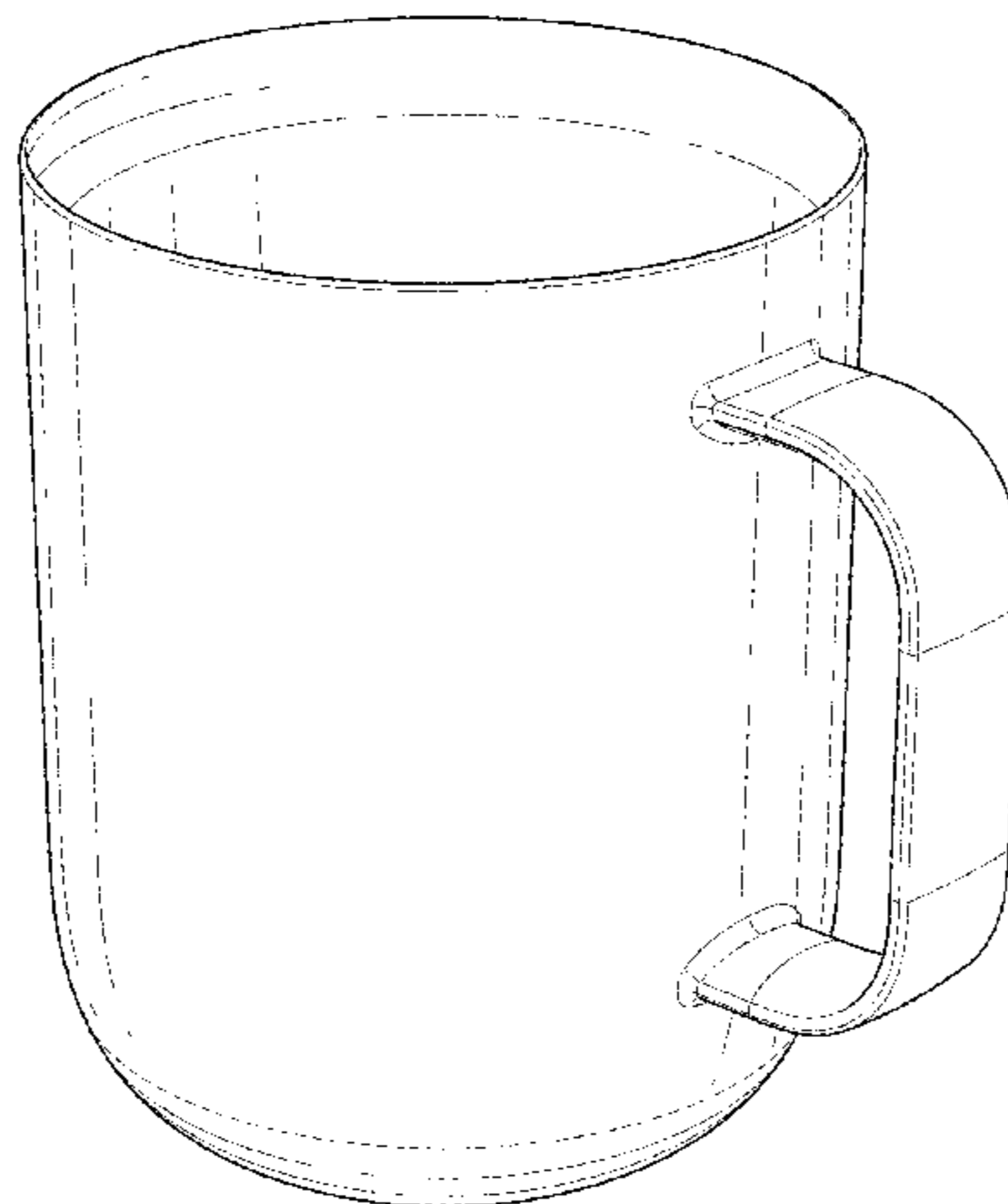
U.S. PATENT DOCUMENTS

D55,571 S	6/1920	Paine	
2,299,730 A	10/1942	Bornstein	
D139,441 S	11/1944	Lippincott	
D189,465 S	6/1959	Schlumbohm	
4,980,539 A	12/1990	Walton	
5,042,258 A	8/1991	Sundhar	
D338,302 S *	8/1993	Shafer	D34/1
D366,810 S	2/1996	Yeh	
D377,293 S	1/1997	Husted	
D379,740 S *	6/1997	Miller	D7/312
5,842,353 A	12/1998	Lin	
D408,689 S	4/1999	Kato	

The broken lines form no part of the claimed design. The horizontal broken line in FIG. 4 is a seam line that is disclaimed. The circular lines (counting from the center) on the bottom of the drinking container shown as broken lines in FIG. 3 are disclaimed, at least some of which represent electrical contacts for connecting electronics (including a heating/cooling unit) in the drinking container with a charging base.

(Continued)

1 Claim, 6 Drawing Sheets



(56)

References Cited

U.S. PATENT DOCUMENTS

6,013,901 A 1/2000 Lavoie
 6,072,161 A 6/2000 Stein
 D432,865 S 10/2000 Cohen
 6,140,614 A 10/2000 Padamsee
 6,314,867 B1 11/2001 Russell
 6,403,928 B1 6/2002 Ford
 D472,101 S 3/2003 Janky
 D483,995 S 12/2003 Otake
 6,674,052 B1 1/2004 Luo
 D490,272 S 5/2004 Rohe
 D495,208 S 8/2004 Putnam
 D497,778 S 11/2004 Rich
 6,852,954 B1 2/2005 Liu et al.
 D502,396 S 3/2005 Frisch
 6,864,462 B2 3/2005 Sanoner et al.
 D514,884 S * 2/2006 Smith D7/509
 7,022,946 B2 4/2006 Sanoner et al.
 D531,856 S 11/2006 Seum
 D535,151 S 1/2007 Seum
 D540,124 S 4/2007 Ross
 D545,131 S 6/2007 Seum
 D552,931 S * 10/2007 Bodum D7/536
 D557,564 S 12/2007 Bodum
 D569,192 S 5/2008 Bodum
 D588,936 S 3/2009 Ioannides
 D599,169 S * 9/2009 Stalions D7/510
 D608,147 S 1/2010 Sykes
 D623,473 S 9/2010 Chen
 D649,403 S 11/2011 Eyal
 D654,319 S 2/2012 Myers
 D662,776 S 7/2012 Eyal

8,274,016 B2 9/2012 Montana
 D705,012 S 5/2014 Lapsker
 D706,475 S 6/2014 Lee
 D716,982 S 11/2014 Corey
 D721,540 S * 1/2015 Grcic D7/511
 D724,385 S * 3/2015 Hurley D7/511
 D727,093 S 4/2015 Lapsker
 D734,989 S 7/2015 Lapsker
 D747,929 S * 1/2016 Arseneau D7/533
 D764,233 S * 8/2016 Lee D7/509
 D764,234 S * 8/2016 Lee D7/509
 D770,853 S * 11/2016 Gschwandtl D7/510
 D784,137 S * 4/2017 Cates D9/500
 D787,888 S * 5/2017 Joseph D7/510
 2005/0121431 A1 6/2005 Yuen
 2006/0207442 A1 9/2006 Pettersson
 2010/0000980 A1 1/2010 Popescu
 2010/0224645 A1 9/2010 Gilbert
 2011/0072978 A1 3/2011 Popescu
 2012/0082766 A1 4/2012 Maupin et al.
 2013/0221013 A1 8/2013 Kolowich et al.
 2014/0124513 A1 * 5/2014 Shearer A47G 19/2261
 220/592.17

OTHER PUBLICATIONS

Drinking Container| StainlessLUX| posted at Amazon.com © 1999-2017 Amazon.com, [online], [site visited Sep. 21, 2017]. Available from Internet, <URL:https://www.amazon.com/StainlessLUX-73261-Stainless-Drinking-12-Ounce/dp/B003TLZO44/ref=sr_1_543?s=home-garden&ie=UTF8&qid=1506025028&sr=1-543&keywords=steel+cup>.*

* cited by examiner

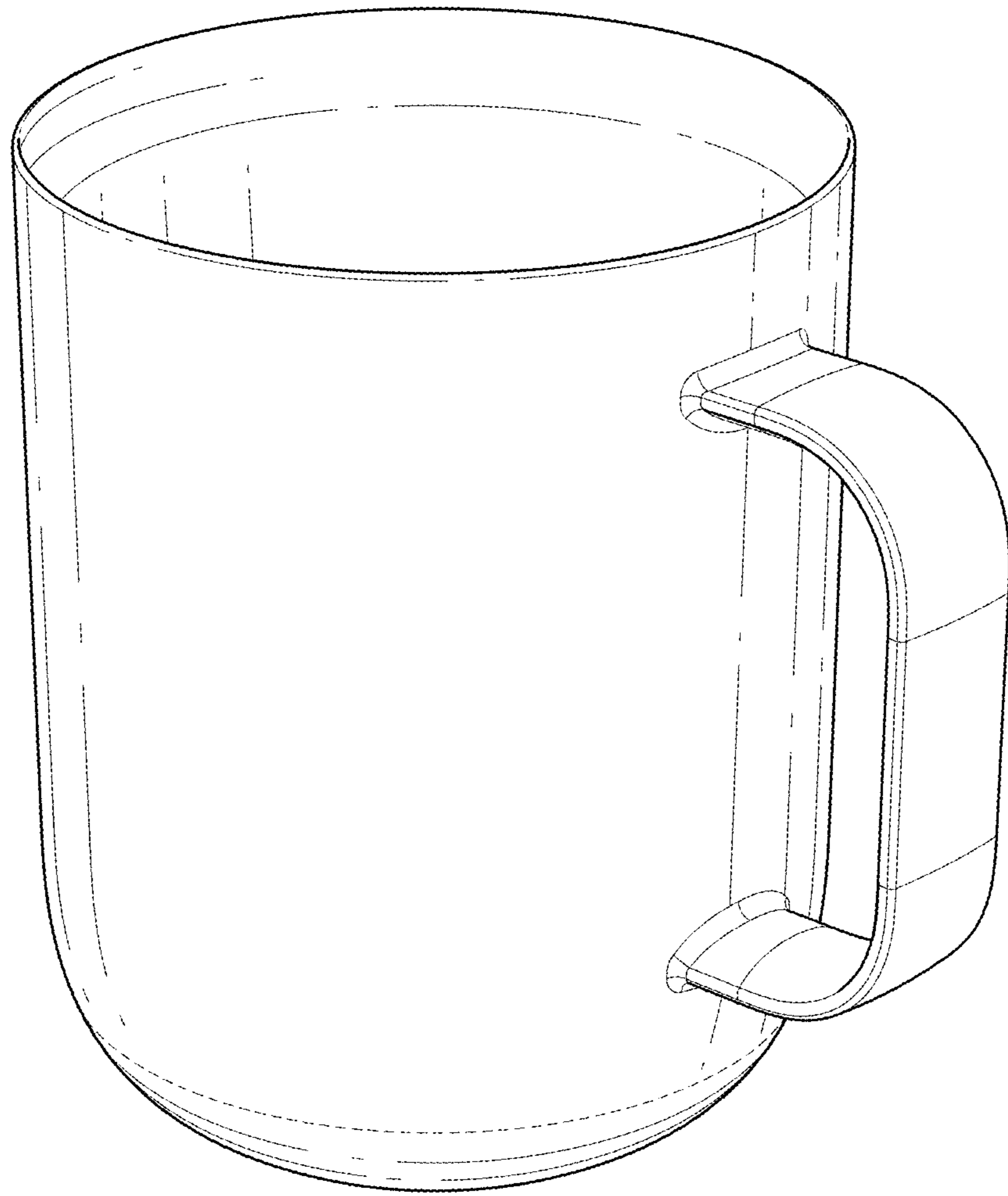


Fig. 1

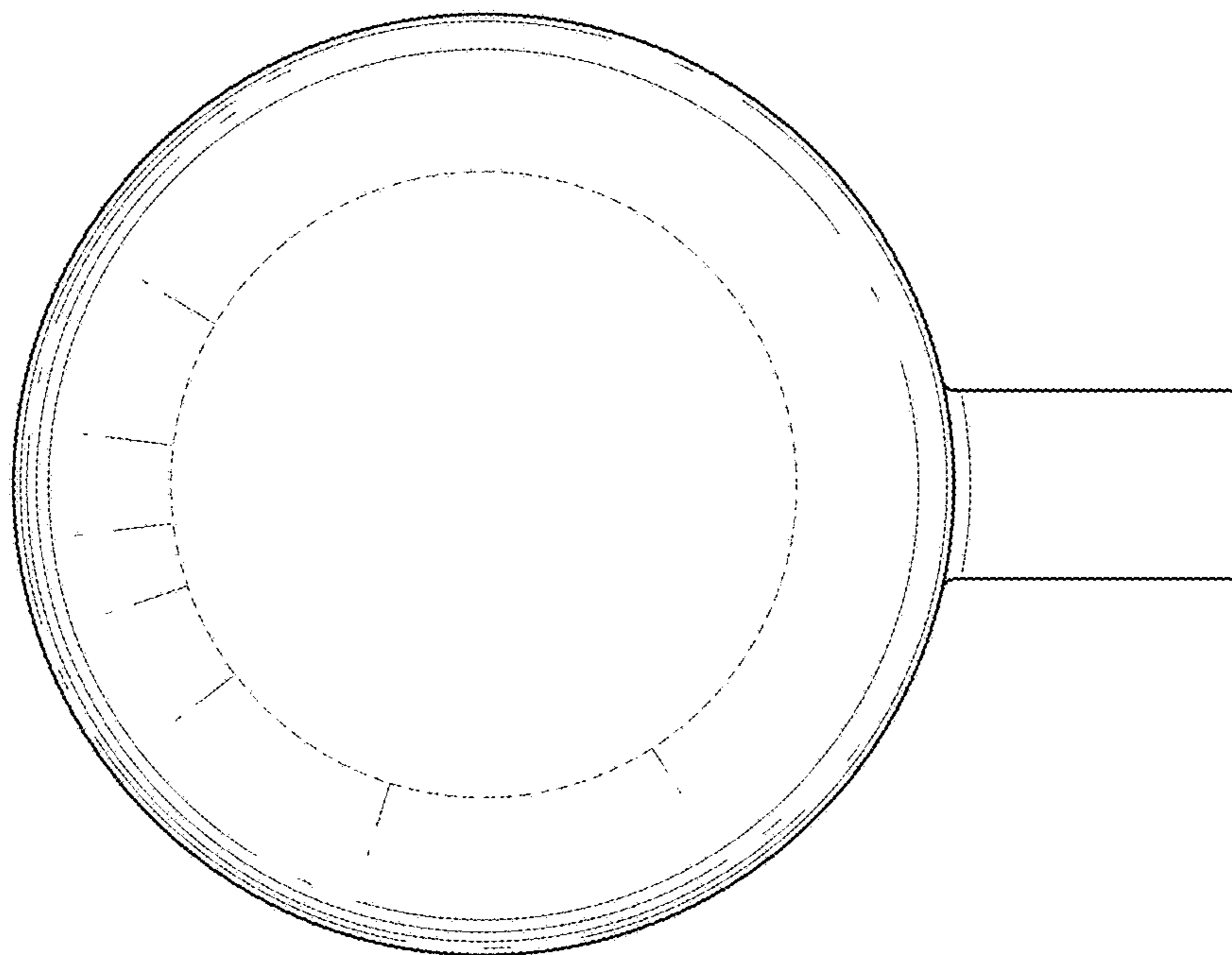


Fig. 2

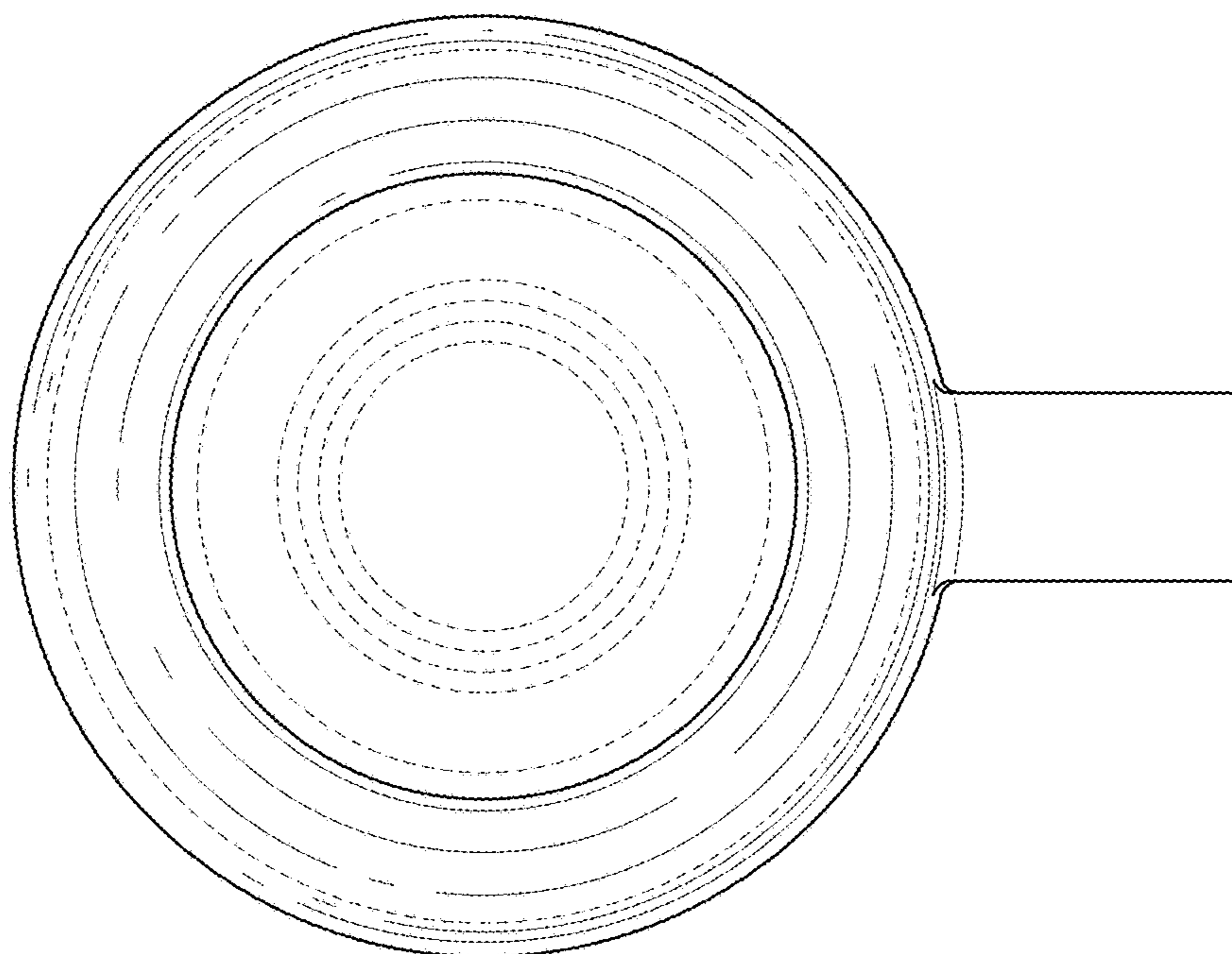


Fig. 3

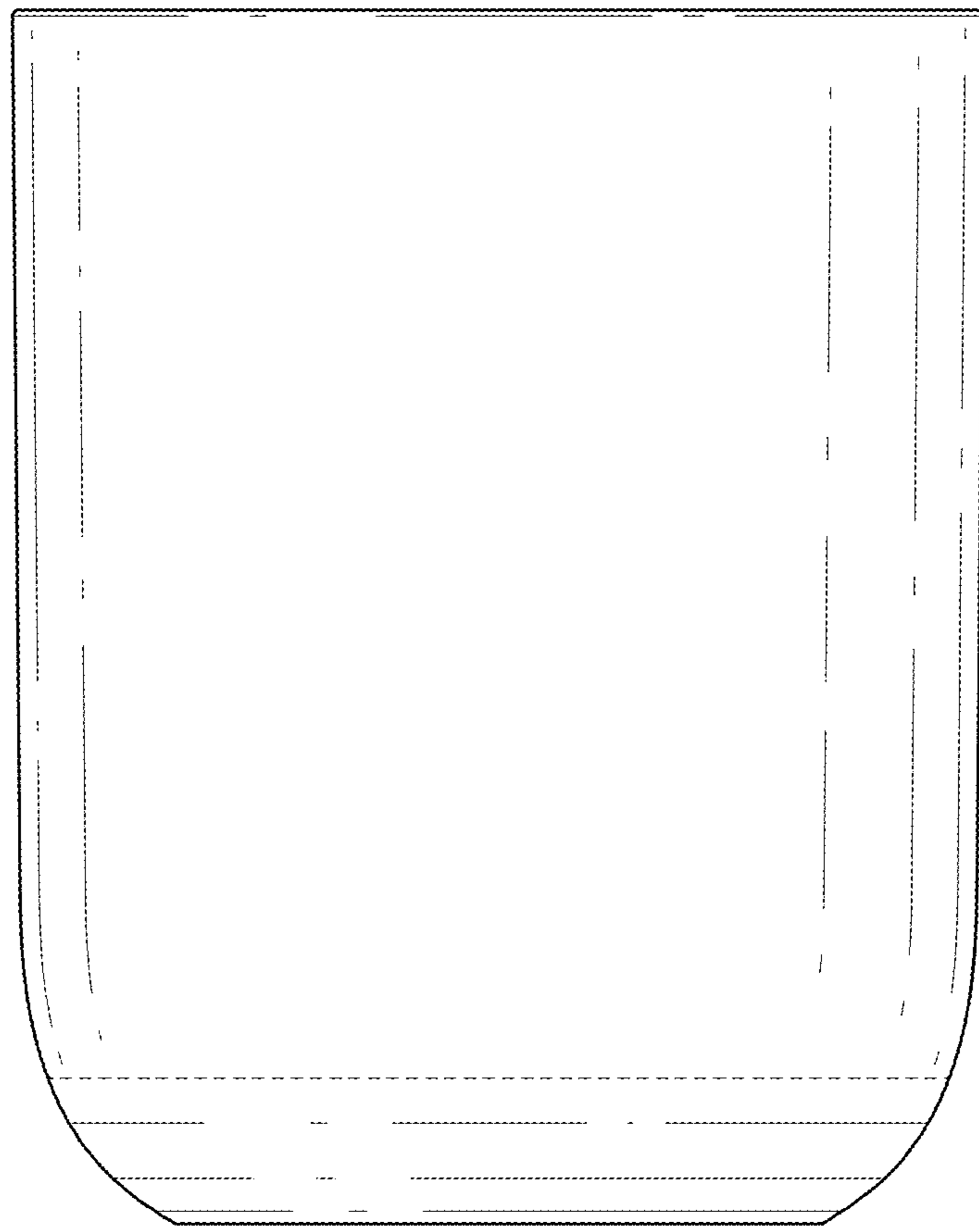


FIG. 4

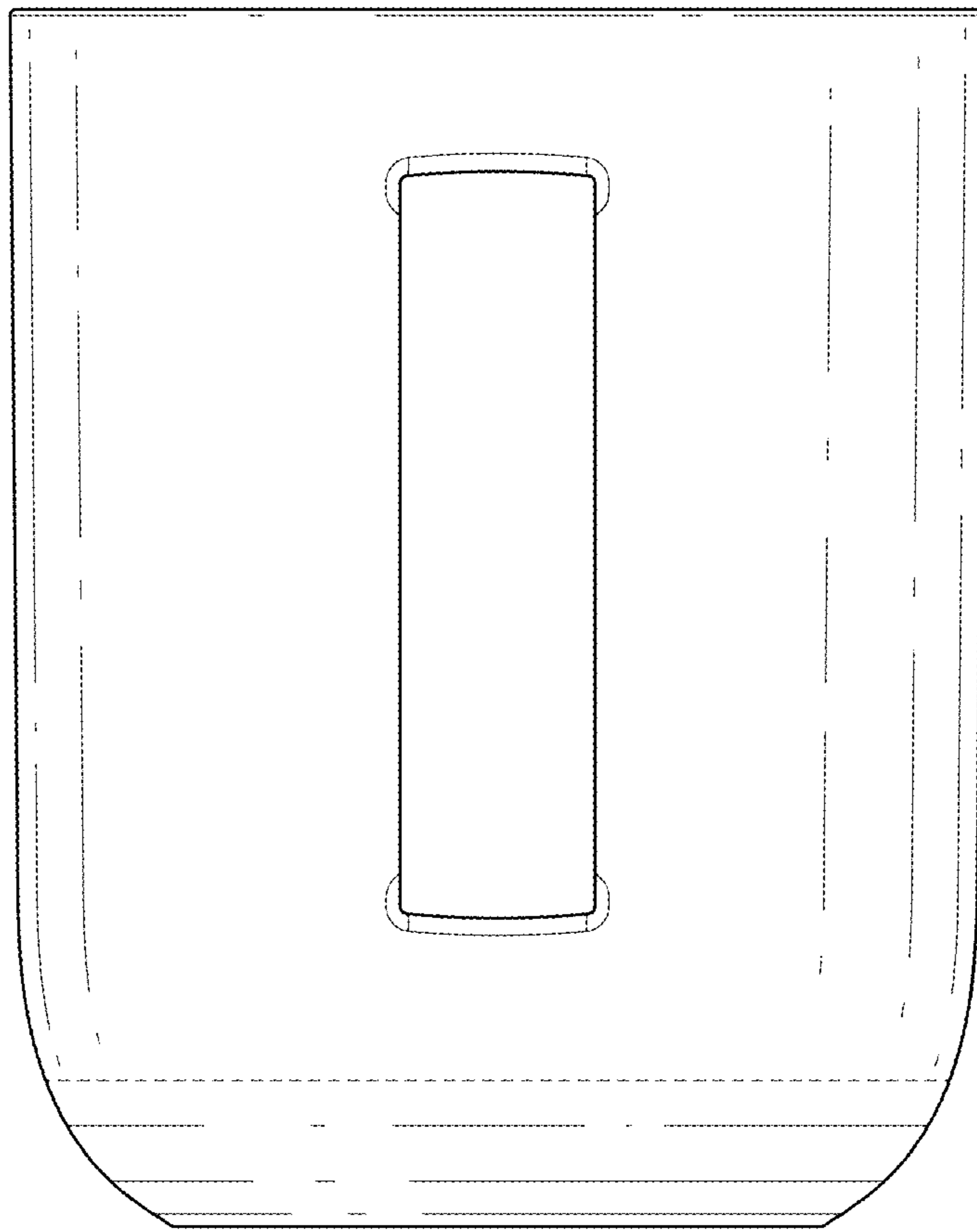


Fig. 5

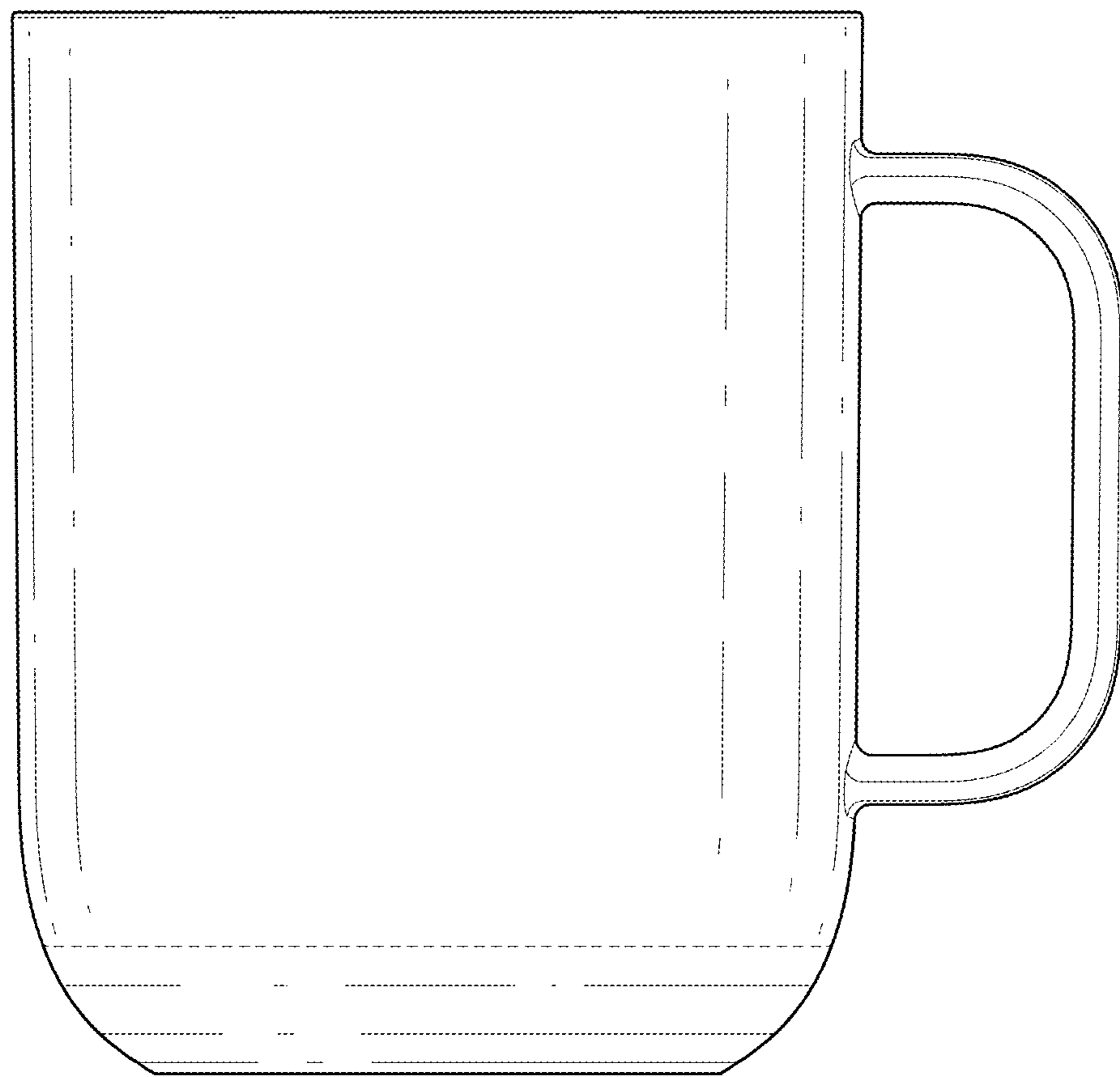


Fig. 6

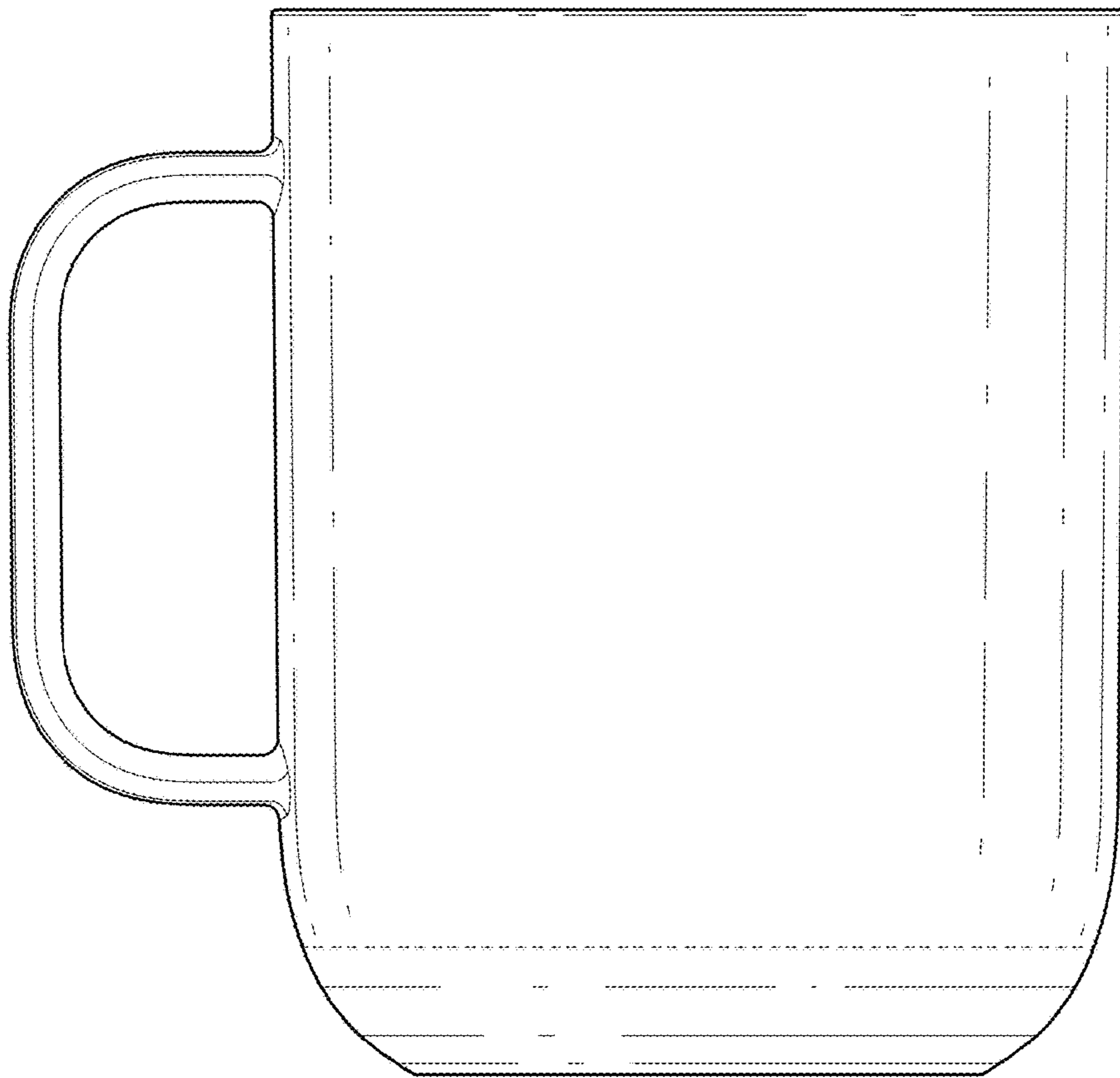


Fig. 7