



US00D822438S

(12) **United States Design Patent**  
**Chung**

(10) **Patent No.:** **US D822,438 S**

(45) **Date of Patent:** **\*\* Jul. 10, 2018**

(54) **SIPPY BOTTLE**

(71) Applicants: **THERMOS L.L.C.**, Schaumburg, IL (US); **THERMOS KOREA CO., LTD.**, Seoul (KR)

(72) Inventor: **Soo Chung**, Seoul (KR)

(73) Assignees: **Thermos L.L.C.**, Schaumburg, IL (US); **Thermos Korea Co., Ltd.** (KR)

(\*\*) Term: **15 Years**

(21) Appl. No.: **29/575,657**

(22) Filed: **Aug. 26, 2016**

(30) **Foreign Application Priority Data**

Mar. 25, 2016 (KR) ..... 30-2016-0014092

(51) **LOC (11) Cl.** ..... **07-01**

(52) **U.S. Cl.**  
USPC ..... **D7/510; D7/511; D7/534**

(58) **Field of Classification Search**  
USPC ..... D7/507, 509, 510, 511, 523, 529, 530, 531, 532, 533, 534, 535, 536, 608, D7/392.1, 396.2, 396.4, 387, 394, 515; D9/434, 450; D10/46.2; D24/197, 199; 220/592.16, 592.17

CPC ..... A47G 19/22; A47G 19/2205; A47G 19/2227; A47G 19/2266; A47F 3/16; B65D 47/066

See application file for complete search history.

(56) **References Cited**

**U.S. PATENT DOCUMENTS**

- D368,624 S \* 4/1996 Forrer ..... D7/392.1
- D387,247 S \* 12/1997 Randolph ..... D7/510
- D397,906 S \* 9/1998 Briggs ..... D7/392.1
- D441,087 S \* 4/2001 Johansen ..... D24/197
- D460,322 S \* 7/2002 Orr ..... D7/510
- D516,864 S \* 3/2006 Kleckauskas ..... D7/507

- D559,622 S \* 1/2008 Carreno ..... D7/510
- D559,624 S \* 1/2008 Carreno ..... D7/510
- D619,851 S \* 7/2010 Miller ..... D24/197
- D620,753 S \* 8/2010 Lane ..... D7/510
- D641,631 S \* 7/2011 Kawahara ..... D7/510
- D642,435 S \* 8/2011 Schofield ..... D24/197
- D642,867 S \* 8/2011 Miller ..... D24/197
- D668,509 S \* 10/2012 Beugelsdijk ..... D7/400
- D674,100 S \* 1/2013 Smith ..... D24/197
- D683,189 S \* 5/2013 Thomas ..... D7/510
- D747,146 S \* 1/2016 Struckmeier ..... D7/510
- D748,434 S \* 2/2016 Thalman ..... D7/510

(Continued)

**OTHER PUBLICATIONS**

U.S. Appl. No. 29/575,654 filed Aug. 26, 2016 (19 pages).  
U.S. Appl. No. 29/575,655 filed Aug. 26, 2016 (19 pages).

*Primary Examiner* — Marianne Pandozzi

*Assistant Examiner* — Jae Liang

(74) *Attorney, Agent, or Firm* — Polsinelli PC

(57) **CLAIM**

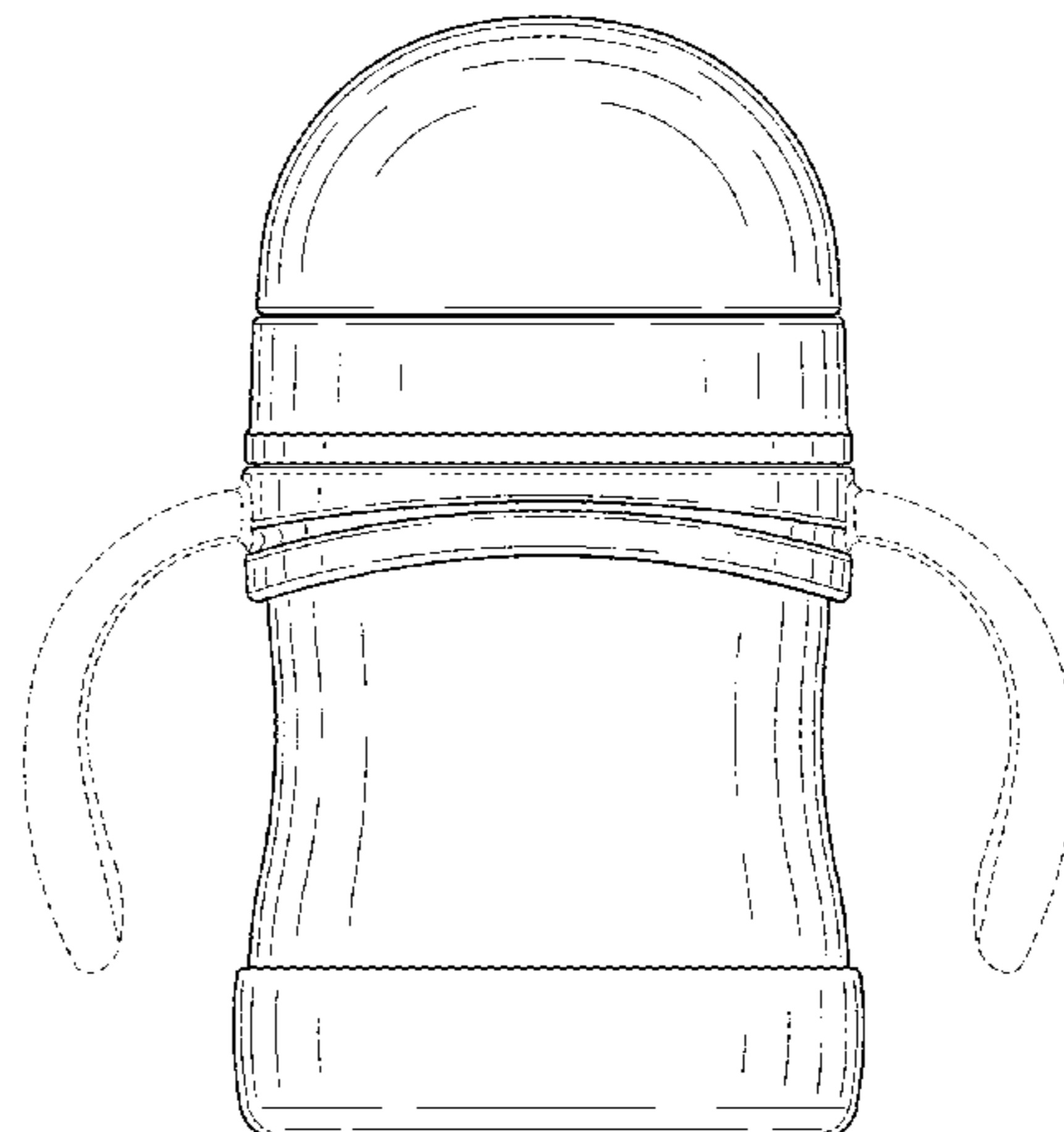
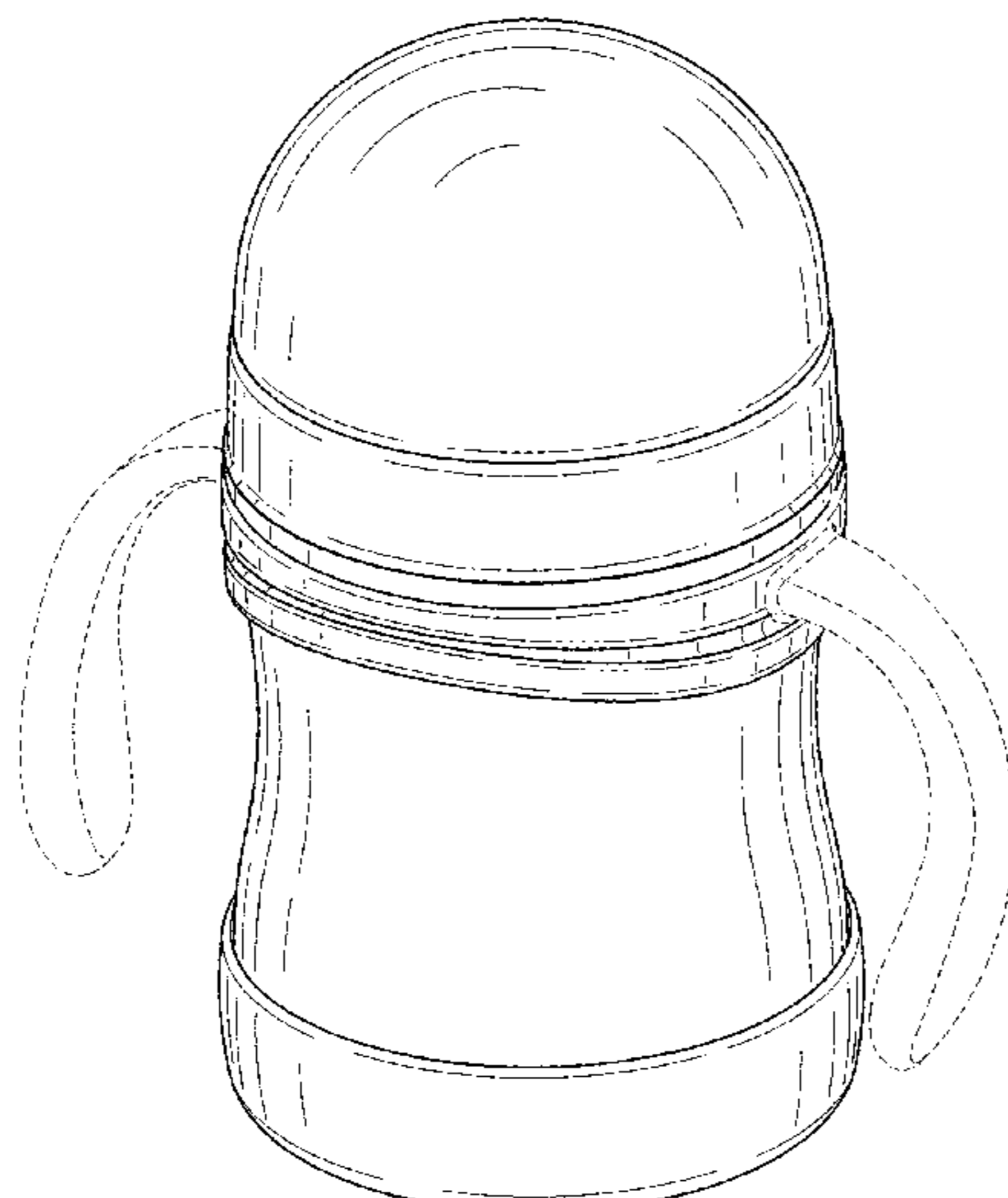
The ornamental design for a sippy bottle, as shown and described.

**DESCRIPTION**

FIG. 1 is a perspective view of a sippy bottle showing my new design;  
FIG. 2 is a front view of the sippy bottle;  
FIG. 3 is a rear view of the sippy bottle;  
FIG. 4 is a right side view of the sippy bottle;  
FIG. 5 is a left side view of the sippy bottle;  
FIG. 6 is a top view of the sippy bottle; and,  
FIG. 7 is a bottom view of the sippy bottle.

The broken lines showing in the figures are included for the purpose of illustrating portions of the sippy bottle that form no part of the claimed design. The dash-dot lines showing in the figures are included for defining the bounds of the claimed design that form no part thereof.

**1 Claim, 5 Drawing Sheets**



(56)

**References Cited**

U.S. PATENT DOCUMENTS

D748,435 S \* 2/2016 Thalmann ..... D7/510  
D763,624 S \* 8/2016 Parker ..... D7/510  
D764,235 S \* 8/2016 Parker ..... D7/510  
2017/0065111 A1\* 3/2017 Phipps ..... A47G 19/2272

\* cited by examiner

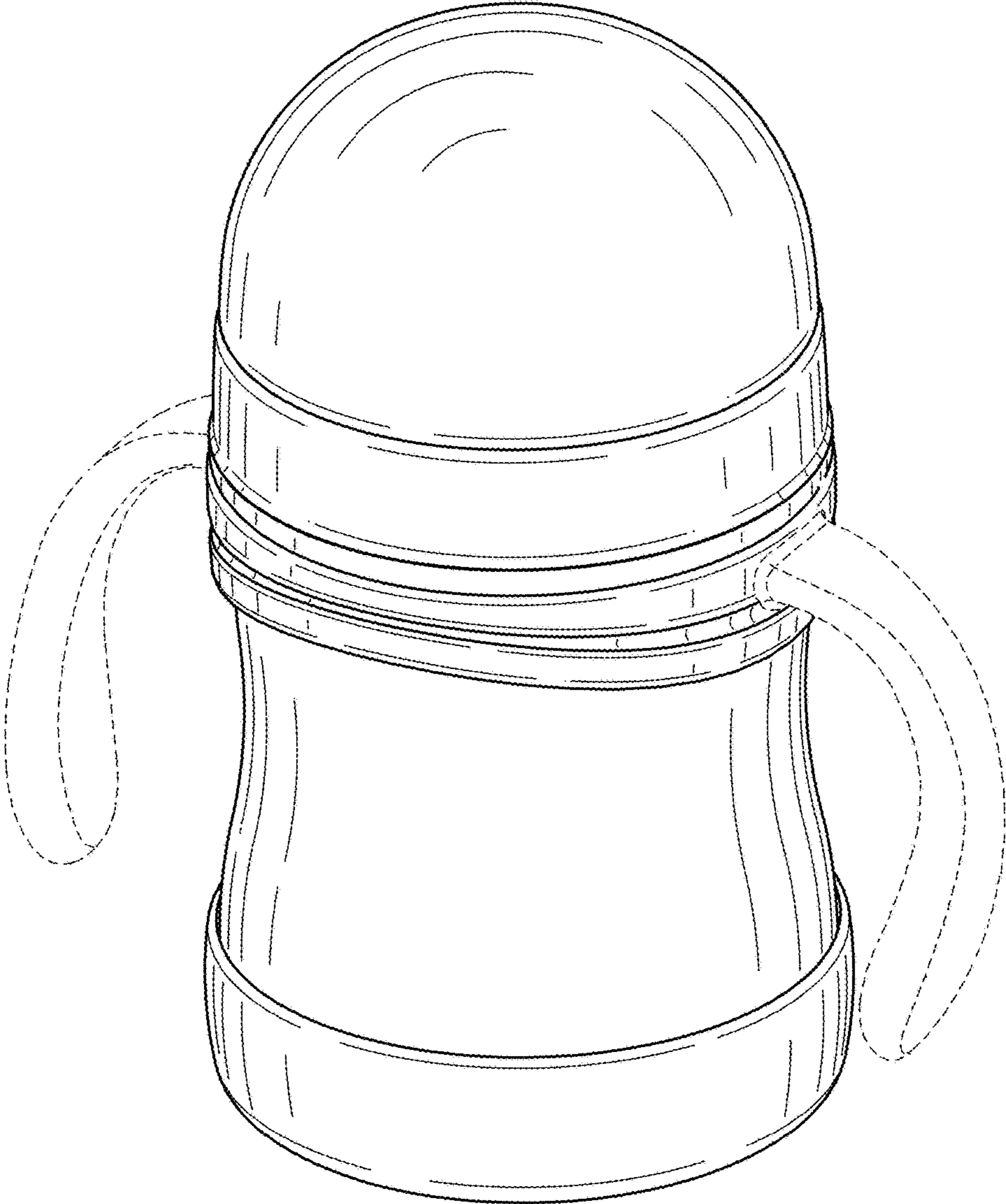


FIG. 1

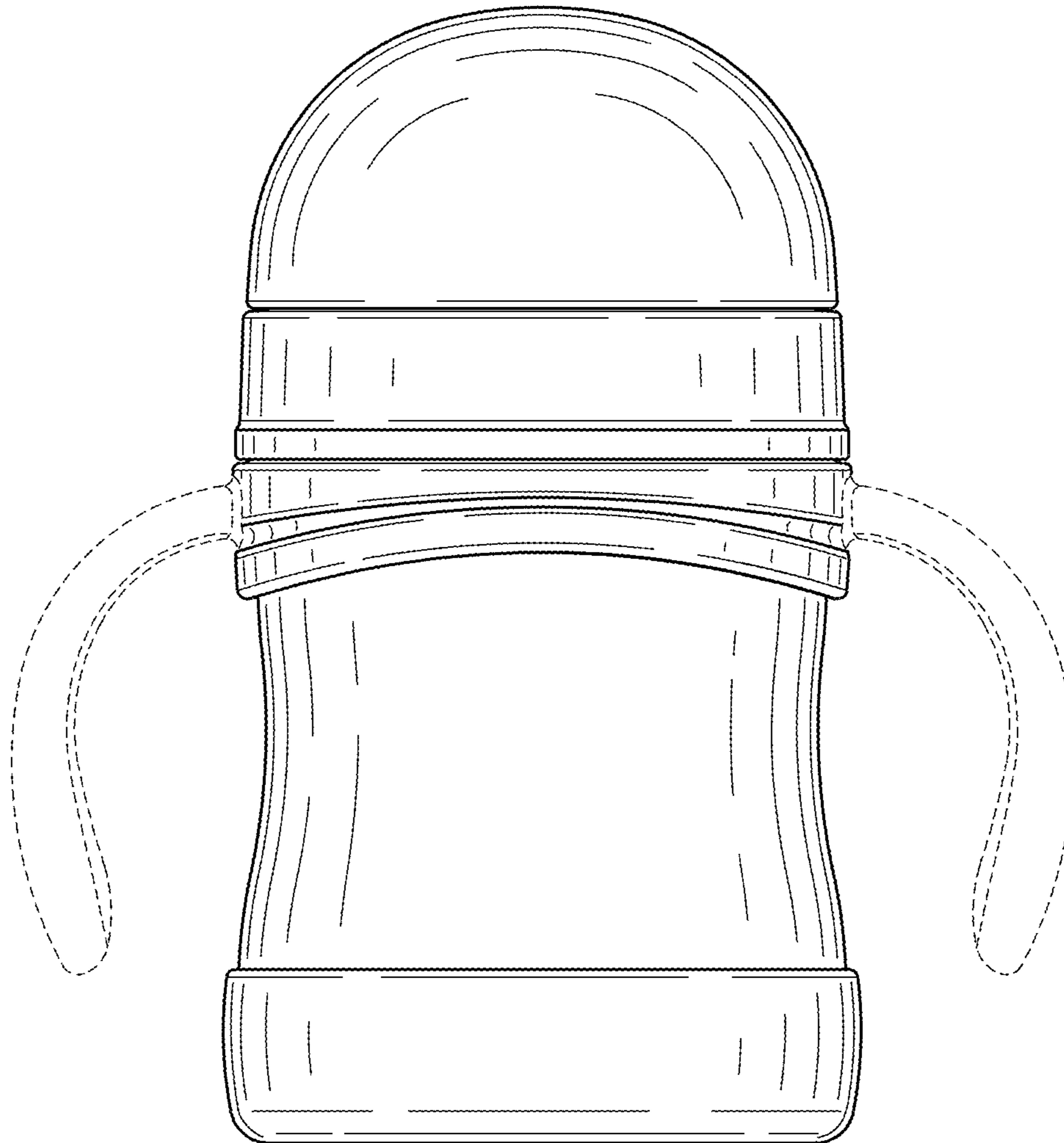


FIG. 2

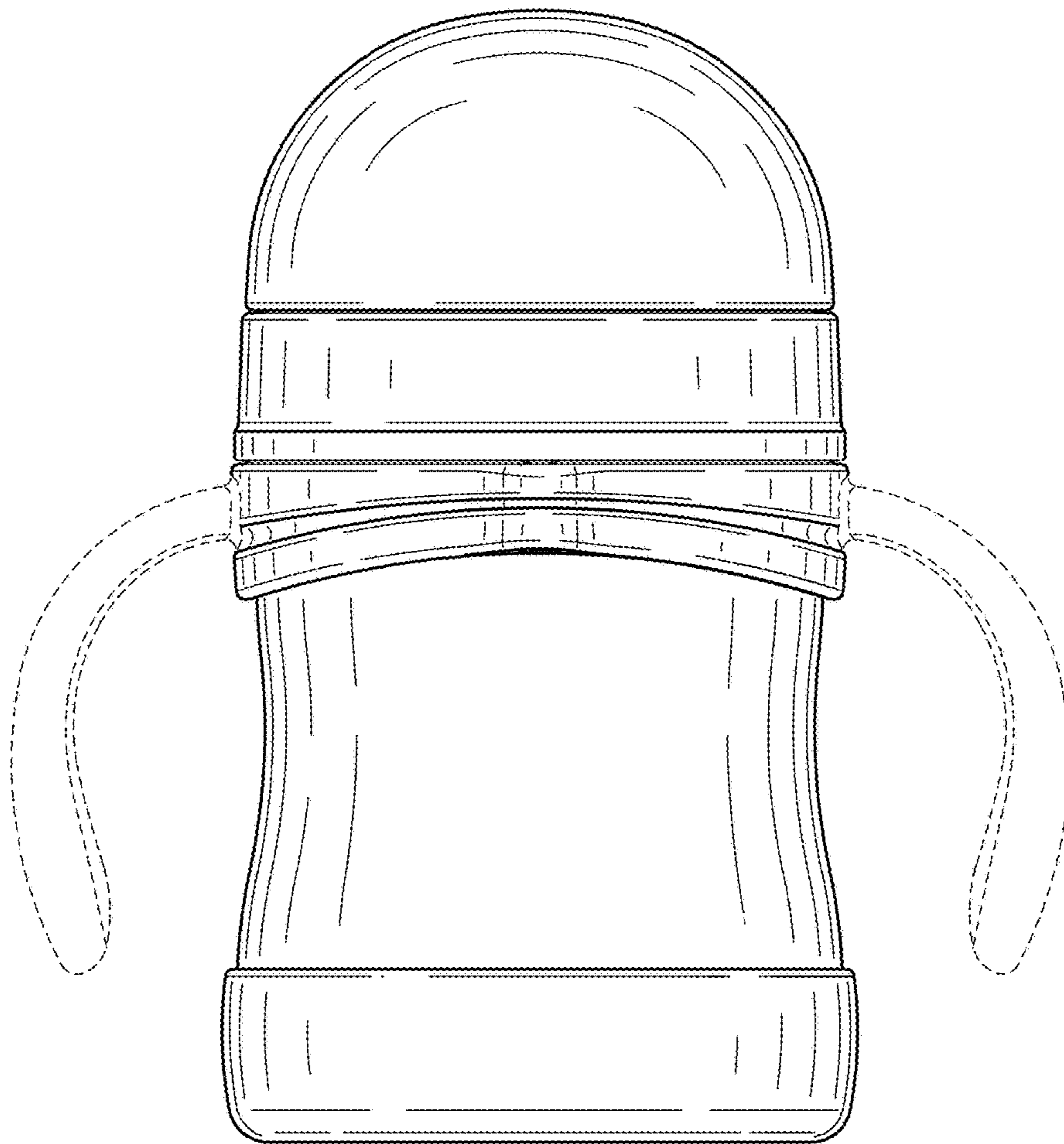


FIG. 3

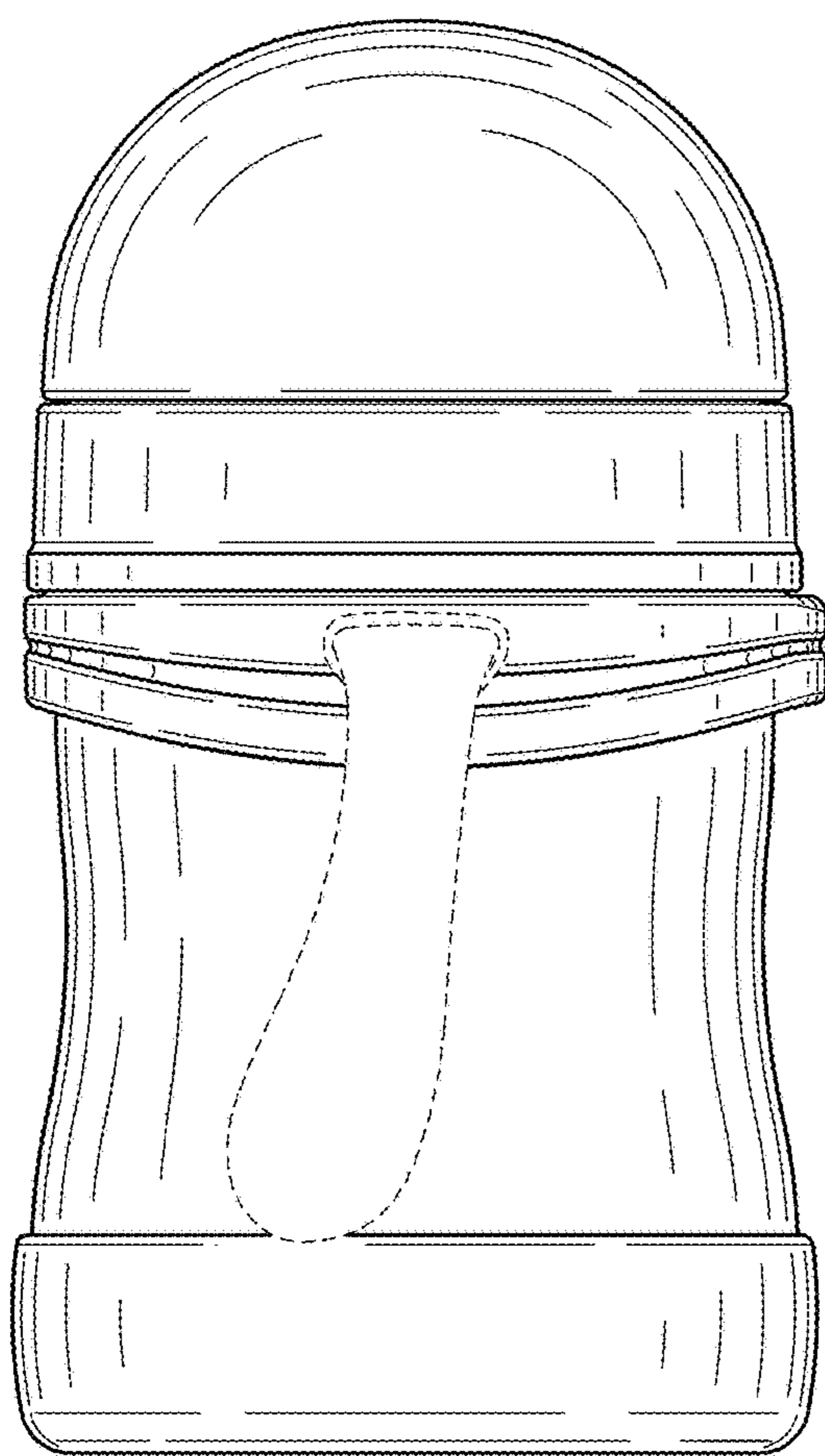


FIG. 4

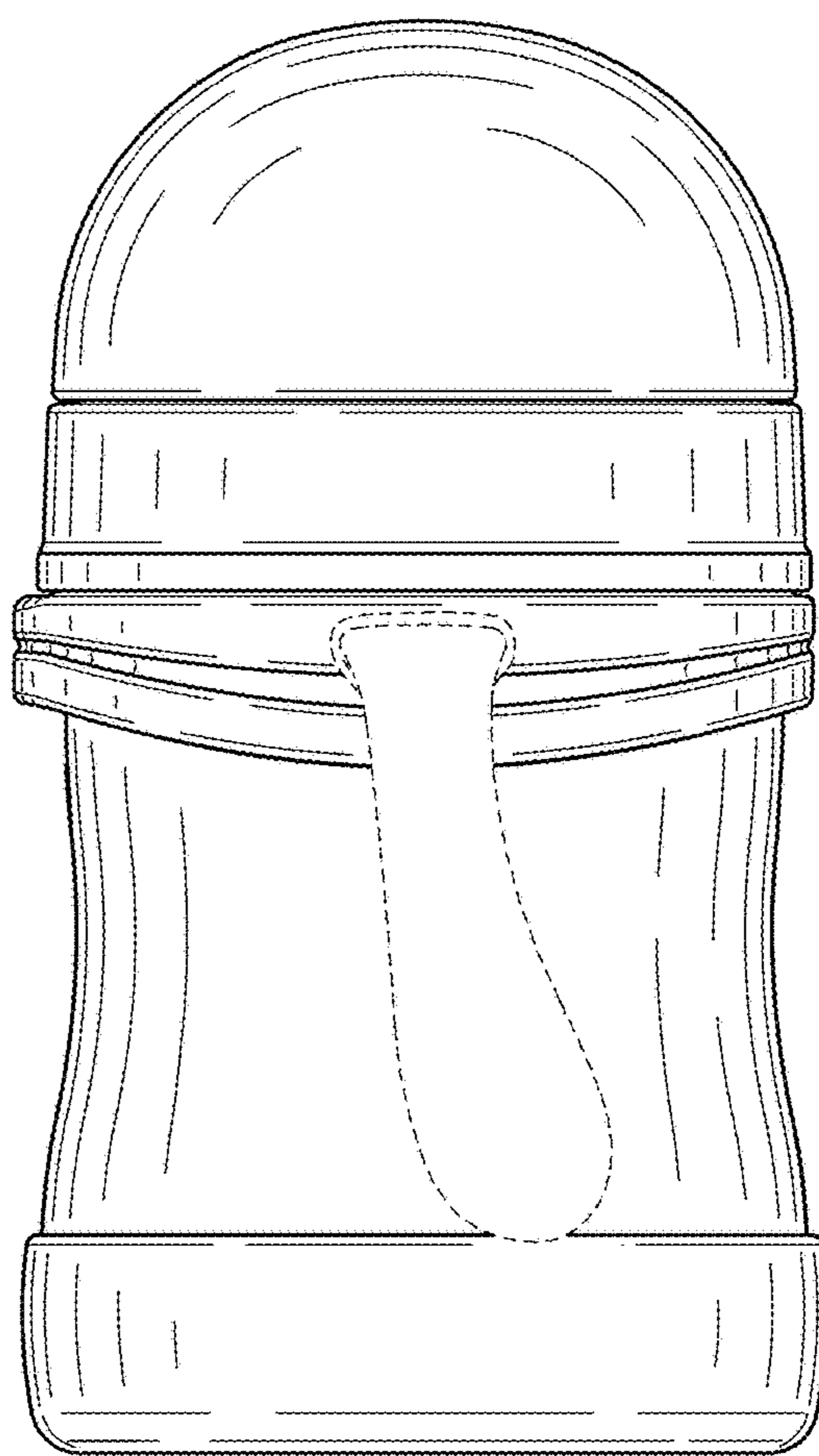


FIG. 5

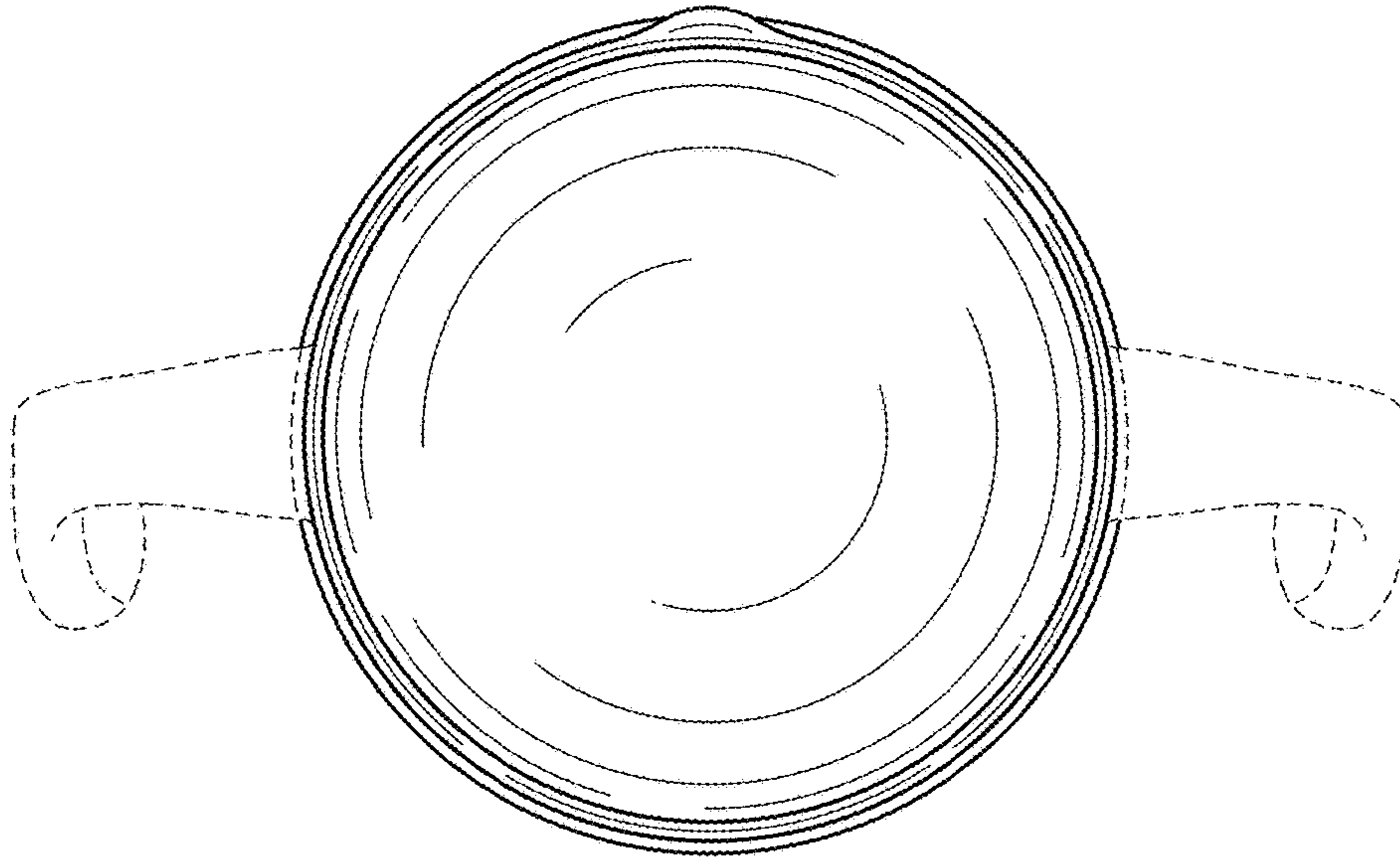


FIG. 6

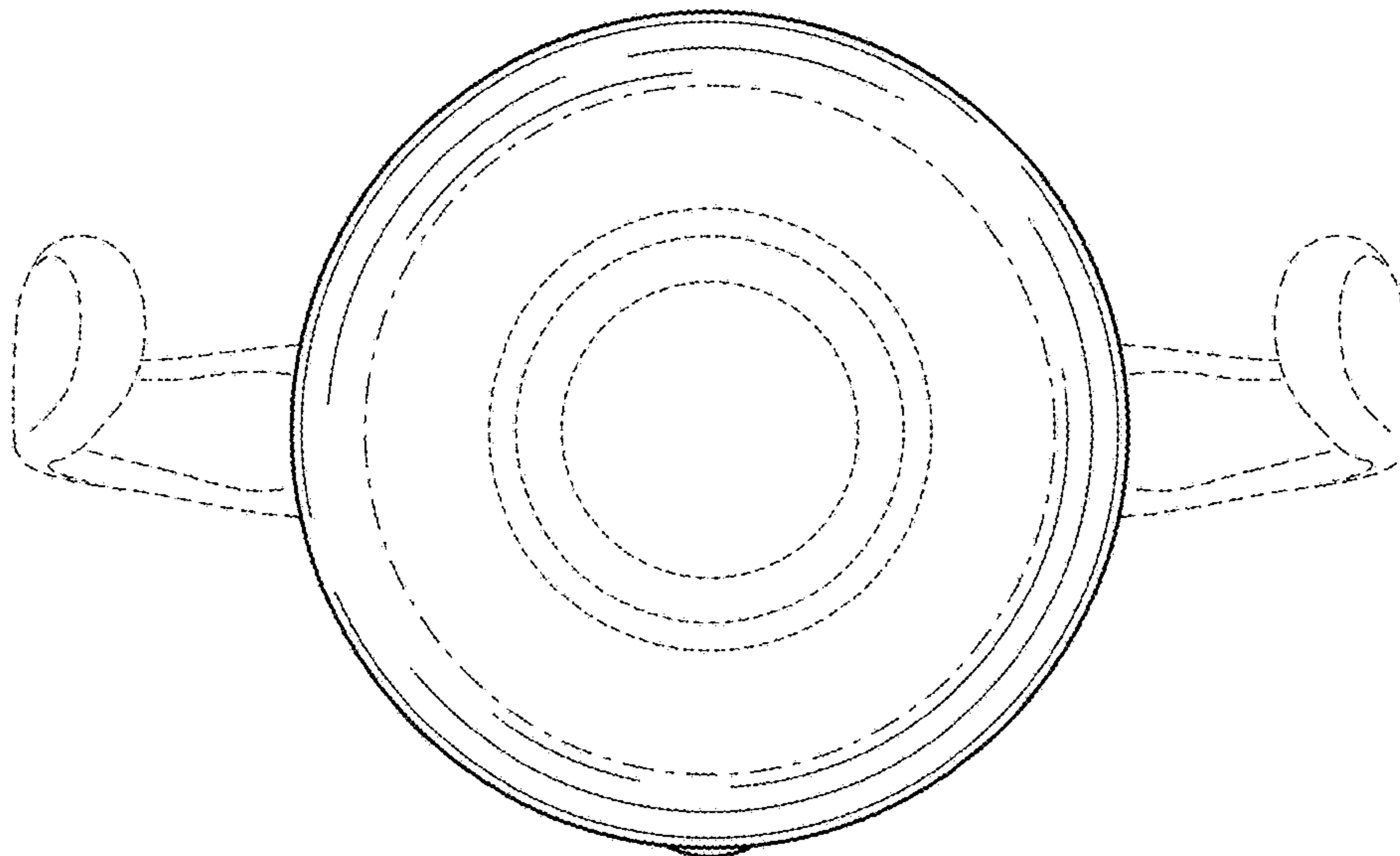


FIG. 7