



US00D822437S

(12) **United States Design Patent**
Hosey et al.

(10) **Patent No.:** **US D822,437 S**
(45) **Date of Patent:** **** Jul. 10, 2018**

(54) **BLENDER WHIPPING BLADE**

B24C 5/062; B24D 7/06; B24D 9/04;
B24D 11/00; B26D 3/11; B28C 5/10;
B28C 5/12; B28C 5/14; B28C 5/16

(71) Applicant: **Vita-Mix Management Corporation**,
Olmsted Township, OH (US)

See application file for complete search history.

(72) Inventors: **Stephen Hosey**, North Olmsted, OH
(US); **Stephen Rukavina**, Rocky River,
OH (US); **Corey Walker**, Olmsted
Falls, OH (US); **Richard D. Boozer**,
Wakeman, OH (US)

(56) **References Cited**

U.S. PATENT DOCUMENTS

3,145,511 A * 8/1964 Bird B24D 9/04
407/29.12
3,353,308 A * 11/1967 Zane B24D 11/00
451/529

(Continued)

(73) Assignee: **Vita-Mix Management Corporation**,
Olmsted Township, OH (US)

(**) Term: **15 Years**

OTHER PUBLICATIONS

(21) Appl. No.: **29/603,861**

Pacojet website. <http://www.pacojet.com/en/product/coupe-set.php>.
Last accessed Jun. 22, 2017.

(22) Filed: **May 12, 2017**

Primary Examiner — Ricky Pham

(74) *Attorney, Agent, or Firm* — McDonald Hopkins LLC

Related U.S. Application Data

(63) Continuation-in-part of application No.
PCT/US2016/037593, filed on Jun. 15, 2016.

(51) **LOC (11) Cl.** **31-00**

(52) **U.S. Cl.**
USPC **D7/412**; D7/378; D7/383; D7/384

(58) **Field of Classification Search**

USPC D6/705.7; D7/372, 376–386, 412–413,
D7/602, 629, 665–666, 669, 679,
D7/693–694; D8/70; D15/126, 138–139
CPC A21C 1/02; A21C 1/04; A23N 1/00; A23N
1/02; A47J 42/04; A47J 43/04; A47J
43/25; A47J 43/27; A47J 43/042; A47J
43/044; A47J 43/046; A47J 43/075; A47J
43/0722; A47J 43/0727; B01F 3/00; B01F
3/0807; B01F 3/0853; B01F 13/0059;
B01F 13/0064; B02C 1/08; B02C 2/04;
B02C 4/42; B02C 4/142; B02C 4/143;
B02C 4/423; B02C 13/1835; B02C 18/30;
B02C 18/302; B02C 18/362; B02C
18/365; B21D 22/00; B23D 61/025;

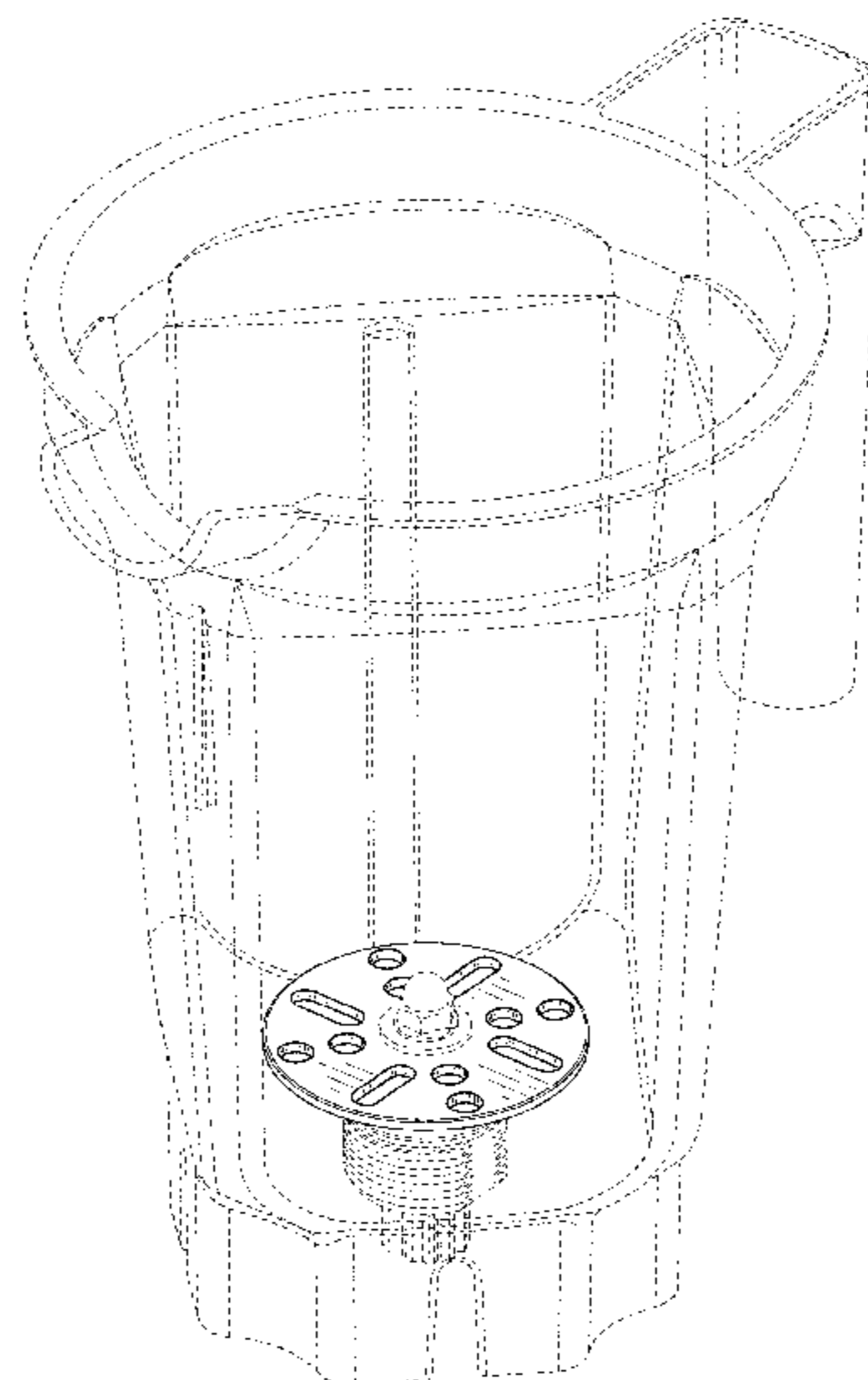
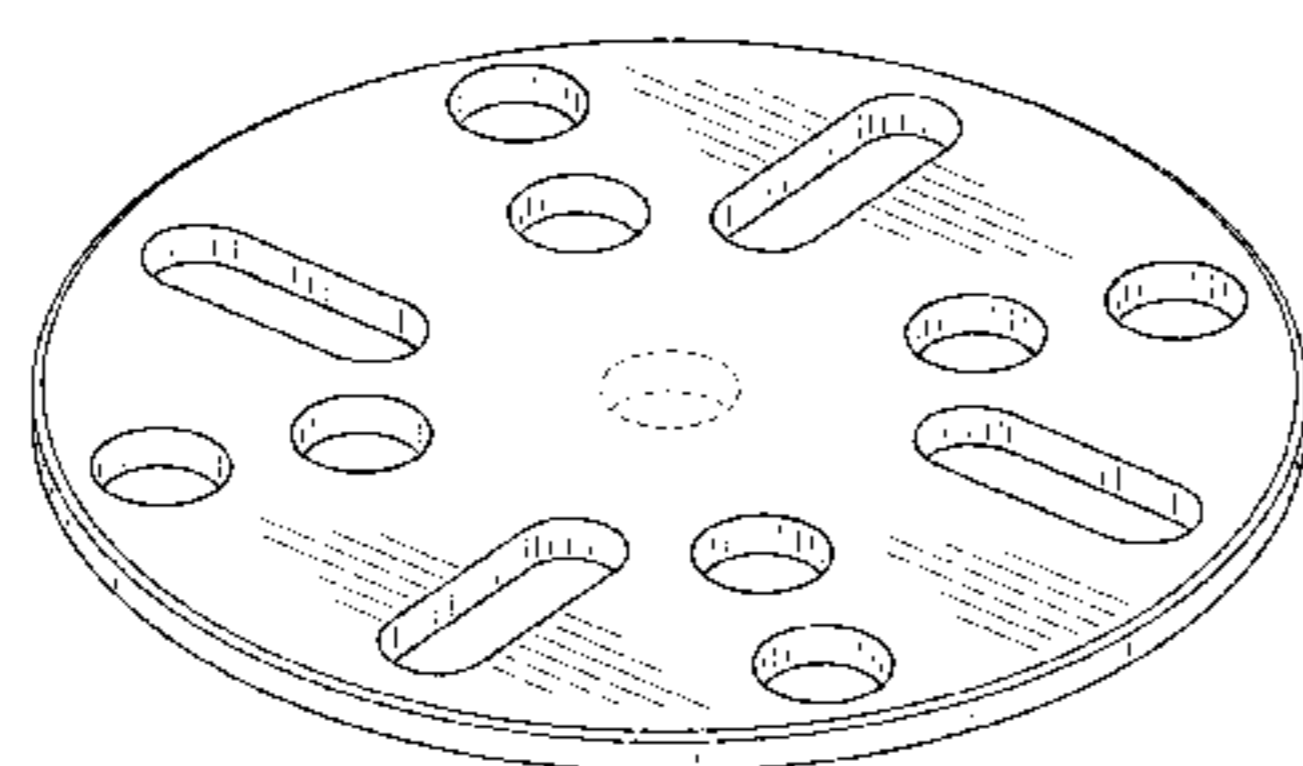
(57) **CLAIM**

The ornamental design of a blender whipping blade, as
shown and described.

DESCRIPTION

FIG. 1 is a perspective view of a blender whipping blade
showing our new design;
FIG. 2 is a top view thereof;
FIG. 3 is a bottom view thereof;
FIG. 4 is a side view thereof;
FIG. 5 is a perspective view of the blender whipping blade
connected with a blending container; and,
FIG. 6 is a top view of the blender whipping blade connected
with the blending container.
The broken lines in the figures are included for the purpose
of illustrating portions of a blender whipping blade and
blending container and form no part of the claimed design.

1 Claim, 5 Drawing Sheets



(56)

References Cited

U.S. PATENT DOCUMENTS

4,023,253	A *	5/1977	Funakubo	B02C 18/365	7,552,885	B2	6/2009	Katz et al.	
					241/82.7	D612,874	S *	3/2010	Nilsson D15/138
5,081,801	A *	1/1992	Fylak	B24C 5/062	7,669,517	B2	3/2010	Boussemart et al.	
					451/95	D633,928	S *	3/2011	Nilsson D15/138
5,912,039	A	6/1999	Browne			D635,599	S *	4/2011	Furseth D15/139
5,992,287	A *	11/1999	Dube	B26D 3/11	8,033,420	B2	9/2011	Roseblade	
					241/282.2	8,042,456	B2	10/2011	Ellsell	
6,095,676	A	8/2000	Feng et al.			D652,678	S *	1/2012	Holgerson D7/376
6,283,627	B1	9/2001	Fromm			D679,140	S *	4/2013	Faram D7/376
D467,485	S *	12/2002	Daniels	D15/140	8,425,107	B2	4/2013	Tsai	
D474,954	S *	5/2003	Kim	D15/126	D682,651	S *	5/2013	McRoberts D8/20
6,568,383	B2 *	5/2003	Spangenberg	B23D 61/025	8,480,292	B2	7/2013	Dushine et al.	
					125/15	8,726,790	B2	5/2014	Lane et al.	
D480,613	S *	10/2003	Wong	D7/384	D735,508	S *	8/2015	Pendleton D6/705.7
D488,347	S	4/2004	Boozer et al.			D746,344	S *	12/2015	Truty D15/126
6,719,450	B2	4/2004	Glucksman			D748,695	S *	2/2016	Norton D15/126
6,796,705	B1	9/2004	Khubani			9,643,230	B2 *	5/2017	Andrews B21D 22/00
6,814,657	B2 *	11/2004	Spangenberg	B24D 7/06	2007/0001040	A1 *	1/2007	Walters B02C 18/362
					451/488					241/82.5
D513,685	S	1/2006	Katz et al.			2009/0166455	A1 *	7/2009	Pai A47J 42/04
D528,859	S	9/2006	Boozer et al.							241/93
7,278,598	B2	10/2007	Katz et al.			2012/0300575	A1 *	11/2012	Tsai A47J 43/046
D589,541	S *	3/2009	Park	D15/126					366/205
7,540,440	B2 *	6/2009	Lesar	B02C 18/302	2013/0064941	A1	3/2013	Taitler	
					241/296	2013/0099036	A1 *	4/2013	Wolff B02C 18/30
										241/82.5

* cited by examiner

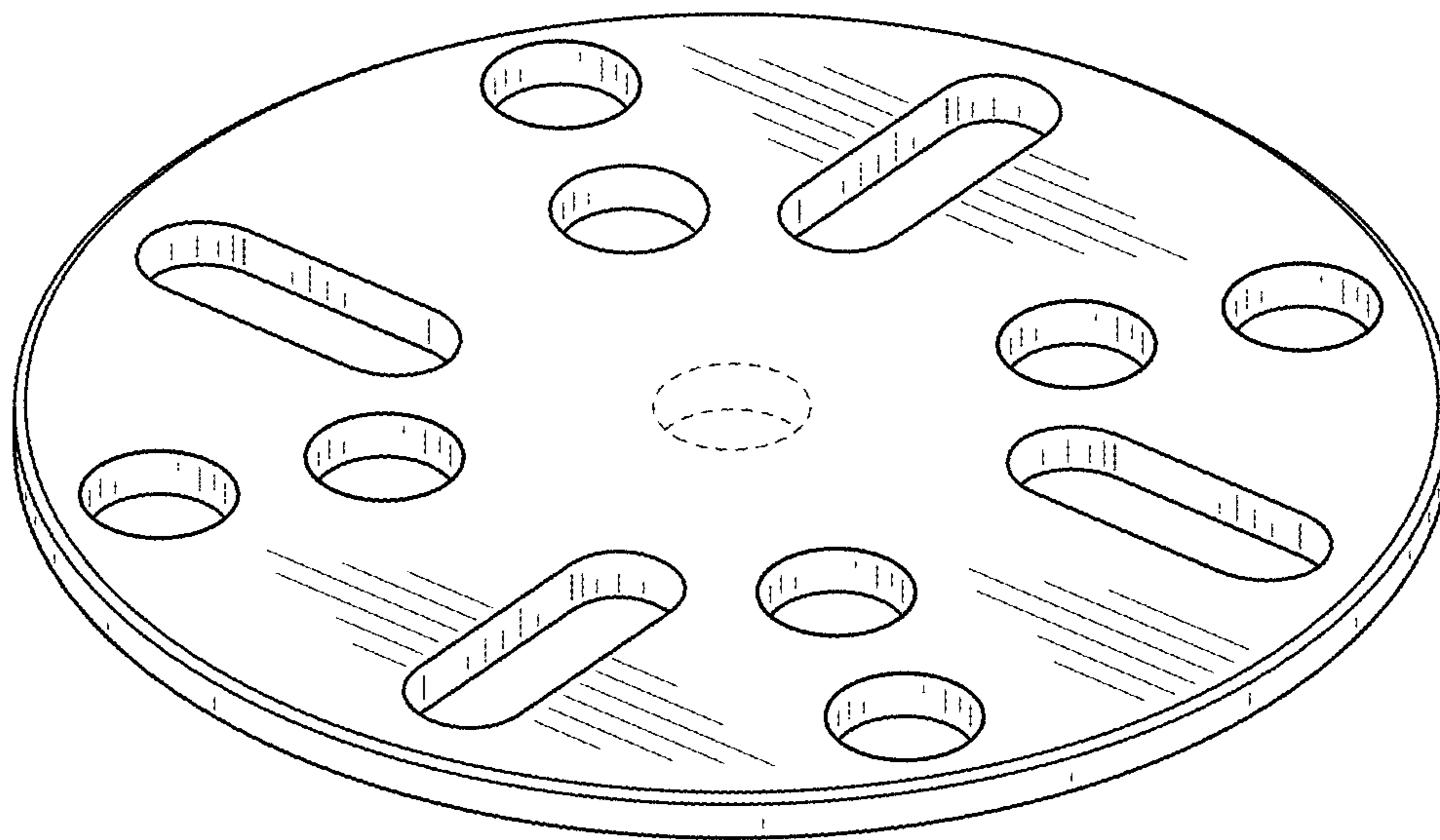


FIG. 1

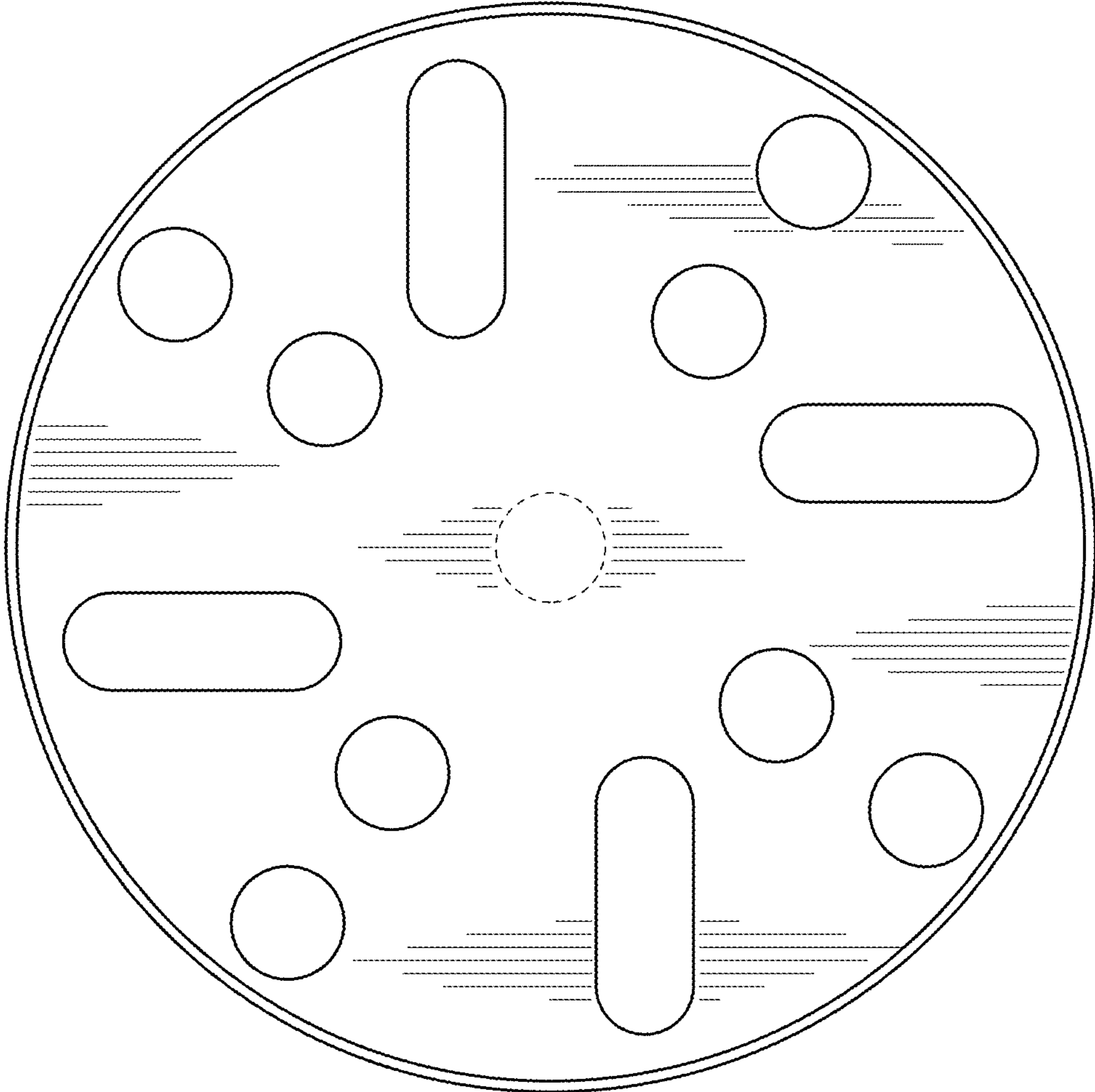


FIG. 2

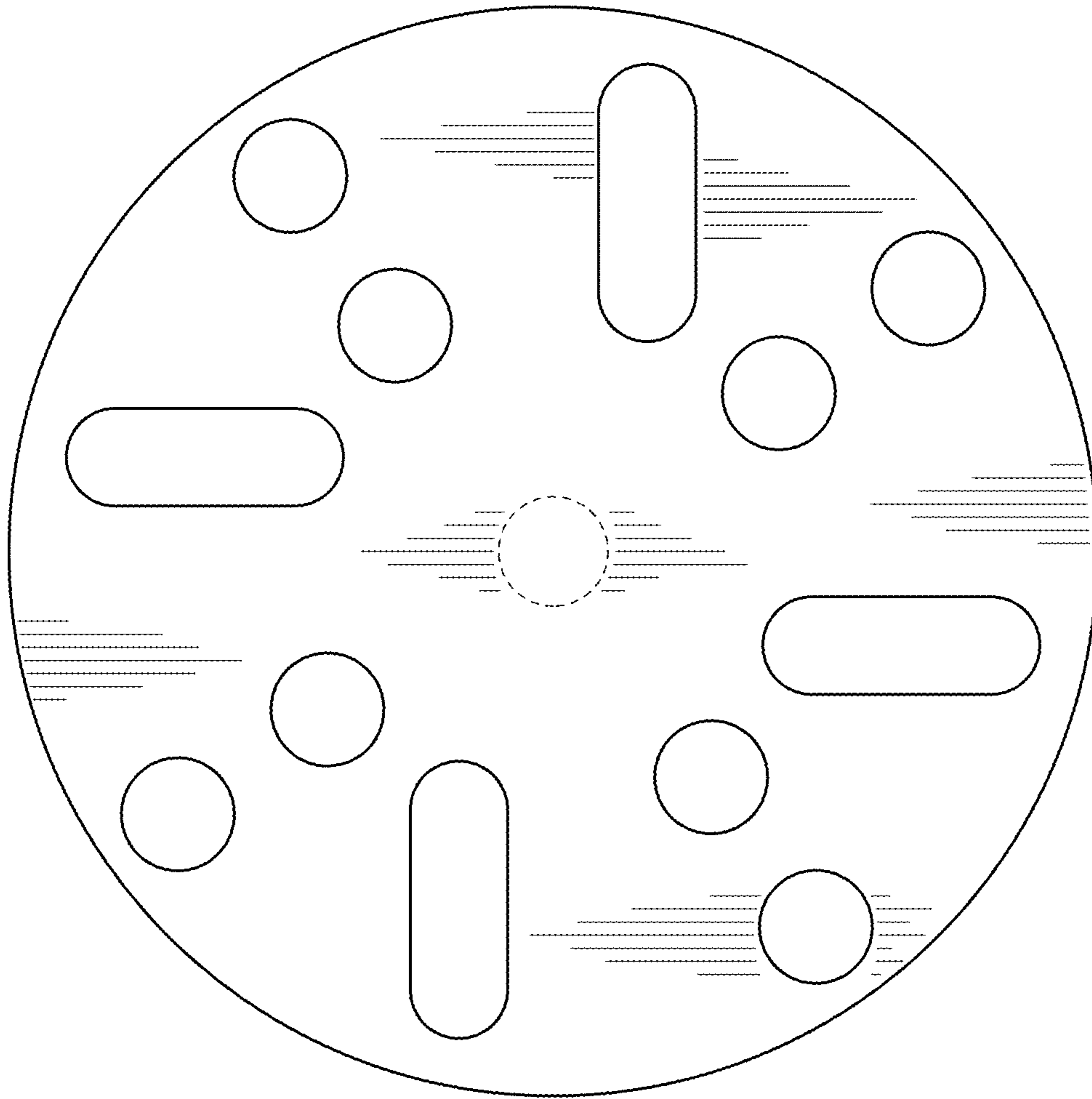


FIG. 3

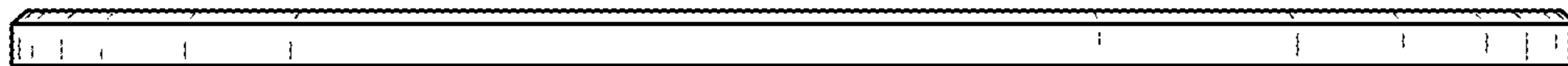


FIG. 4

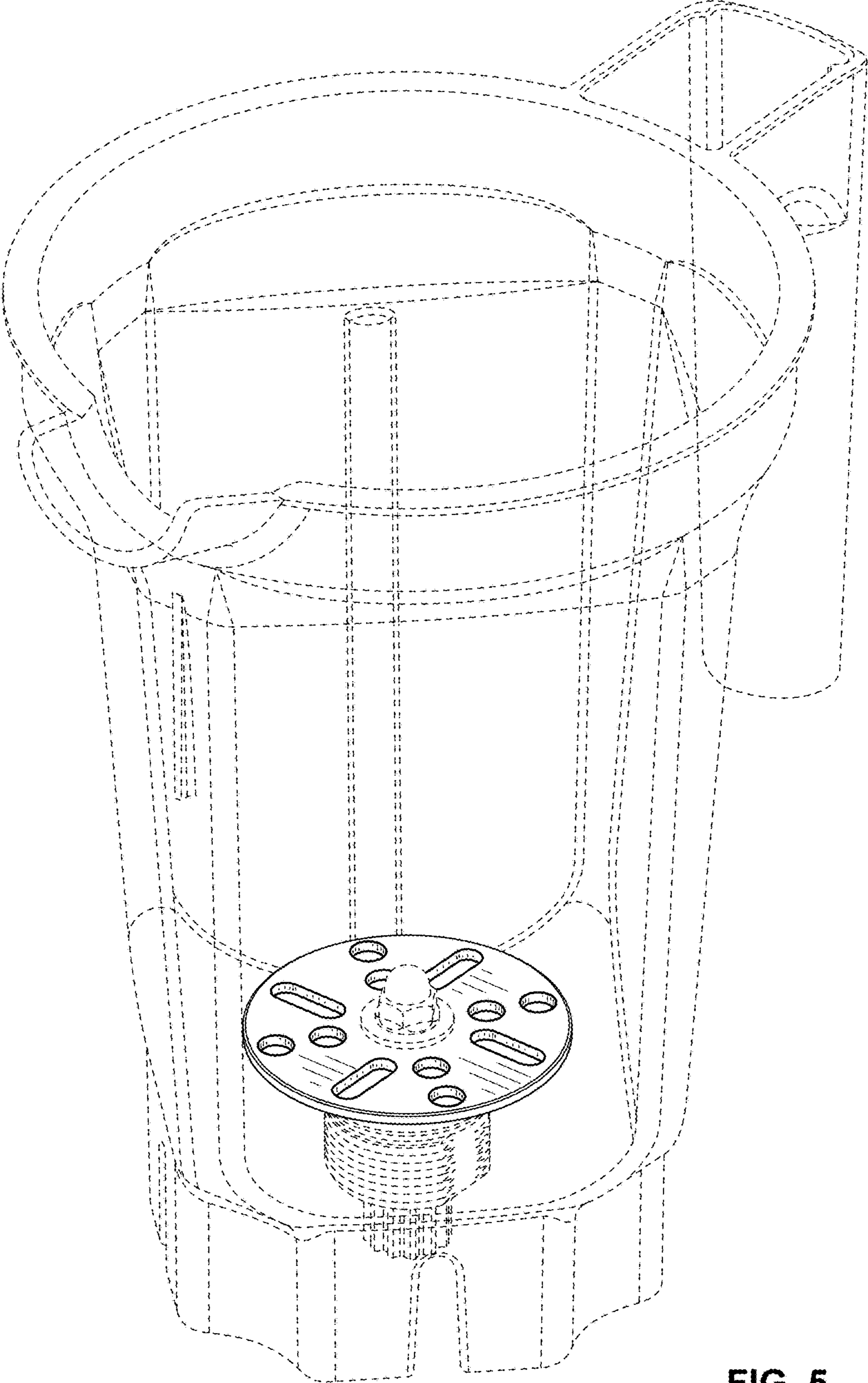


FIG. 5

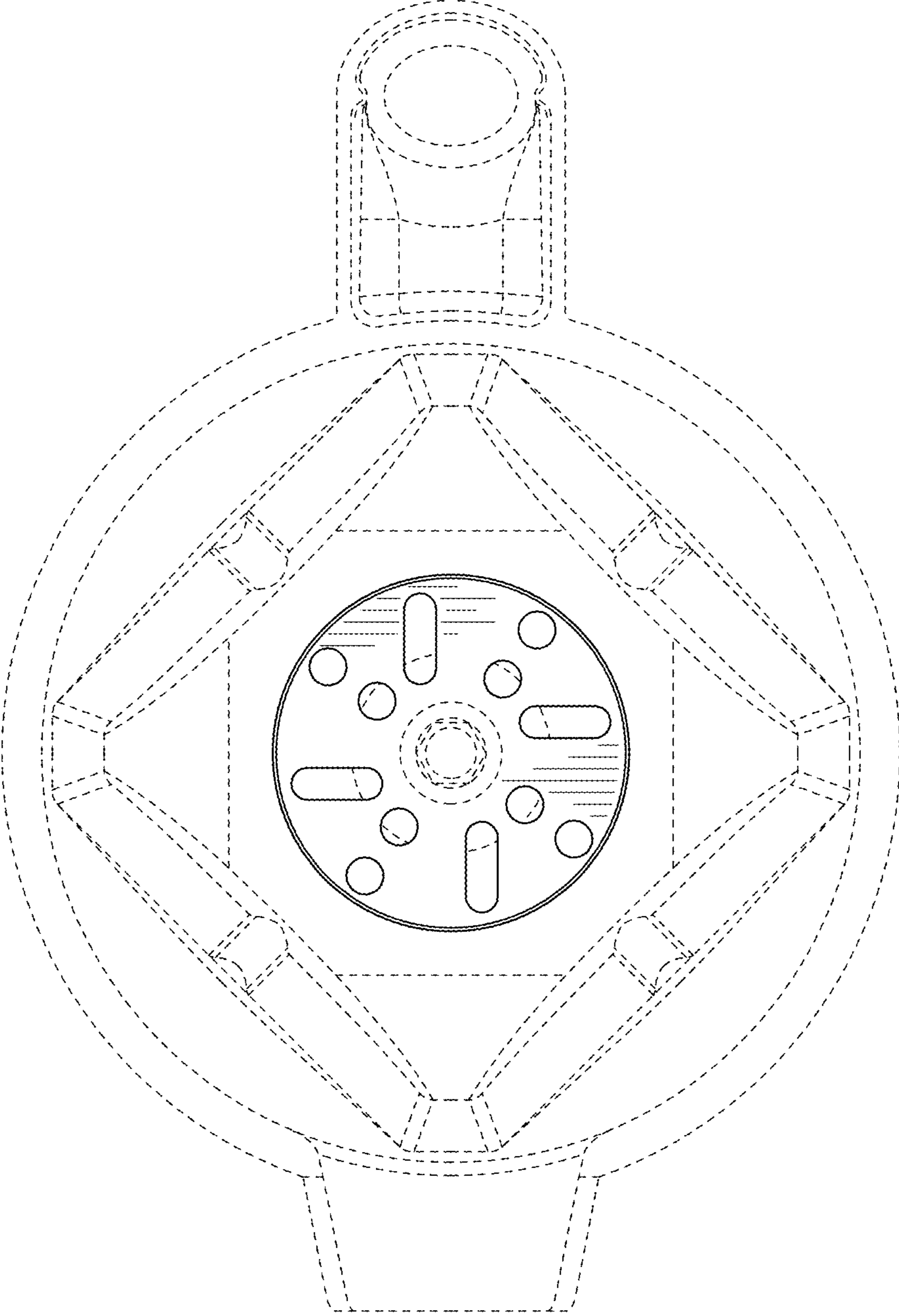


FIG. 6