



US00D822435S

(12) **United States Design Patent**
George et al.

(10) **Patent No.:** **US D822,435 S**
(45) **Date of Patent:** **** Jul. 10, 2018**

(54) **GRILL CARRIER**

(71) Applicants: **Daniel Ray George**, Watkinsville, GA (US); **Joseph Lescota**, Lawrenceville, GA (US)

(72) Inventors: **Daniel Ray George**, Watkinsville, GA (US); **Joseph Lescota**, Lawrenceville, GA (US)

(**) Term: **15 Years**

(21) Appl. No.: **29/548,715**

(22) Filed: **Dec. 16, 2015**

(51) **LOC (11) Cl.** **07-02**

(52) **U.S. Cl.**
USPC **D7/409; D7/354**

(58) **Field of Classification Search**
USPC D7/323, 332, 335-337, 354-355, D7/359-364, 387-388, 402, 407-409, D7/542, 601; D19/77
CPC A21B 2/00; A21B 3/00; A21B 3/13; A21B 3/15; A21B 5/00; A21B 5/02; A23N 12/06; A23N 12/08; A23N 12/10; A47B 49/00; A47J 27/04; A47J 37/00; A47J 37/04; A47J 37/041; A47J 37/042; A47J 37/06; A47J 37/0688; A47J 37/0694; A47J 37/07; A47J 37/0704; A47J 37/10; A47J 47/20; A47J 2037/00; A47J 2037/06; A47J 2037/0611; A47J 2037/07; A47J 2037/0786; A47J 2037/0795; F24C 15/10; F24C 15/12; F24C 15/14; F24C 15/16; F24C 15/164; F24C 15/18
See application file for complete search history.

(56) **References Cited**

U.S. PATENT DOCUMENTS

D192,227 S * 2/1962 Theisen D7/388
3,212,426 A * 10/1965 Lewus A47J 27/04
126/369

D258,631 S * 3/1981 Lax D7/388
D282,706 S * 2/1986 DiFede D7/407
4,858,772 A * 8/1989 Phillipson A47B 49/00
211/115
D339,266 S * 9/1993 Lockett D7/323
D339,959 S * 10/1993 Eckman D7/407
D413,765 S * 9/1999 Adler D7/402
D446,688 S * 8/2001 Vanello D7/601
D588,199 S * 3/2009 Eisenbaum D19/77
D650,225 S * 12/2011 Bartol D7/354
D734,094 S * 7/2015 Vogds D7/354
D781,647 S * 3/2017 Bogazzi D7/402

* cited by examiner

Primary Examiner — Ricky Pham

(74) *Attorney, Agent, or Firm* — Dunlap Bennett & Ludwig PLLC; Brendan E. Squire

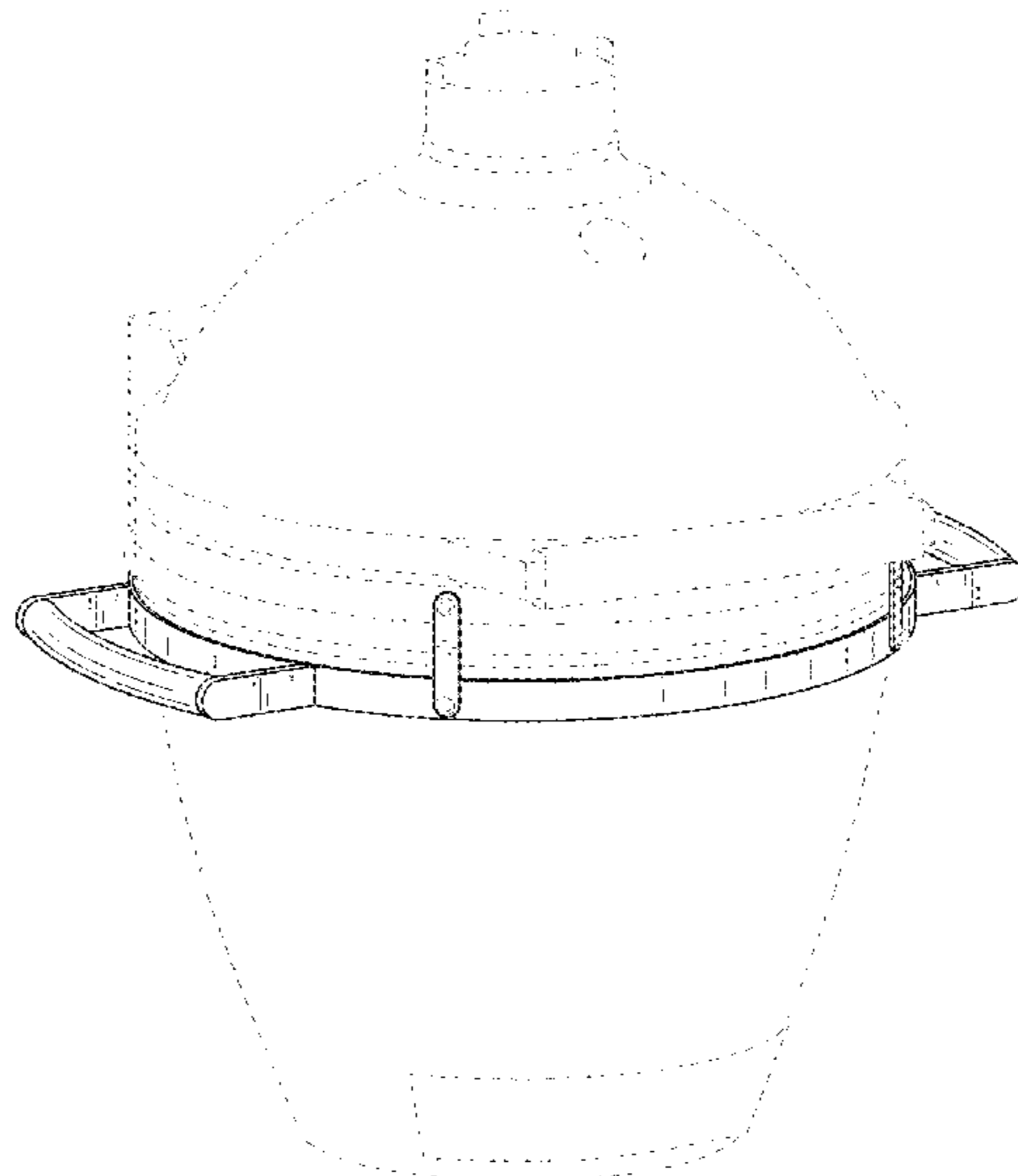
(57) **CLAIM**

The ornamental design for a grill carrier, as shown and described.

DESCRIPTION

FIG. 1 is a front perspective view of the grill carrier.
FIG. 2 is a front elevation view thereof.
FIG. 3 is a rear elevation view thereof.
FIG. 4 is a left side elevation view thereof.
FIG. 5 is right side elevation view thereof.
FIG. 6 is a top plan view thereof.
FIG. 7 is a bottom plan view thereof; and,
FIG. 8 is a front perspective view of the grill carrier in use.
The broken lines shown in the drawings illustrate portions of the grill carrier that form no part of the claimed design.

1 Claim, 6 Drawing Sheets



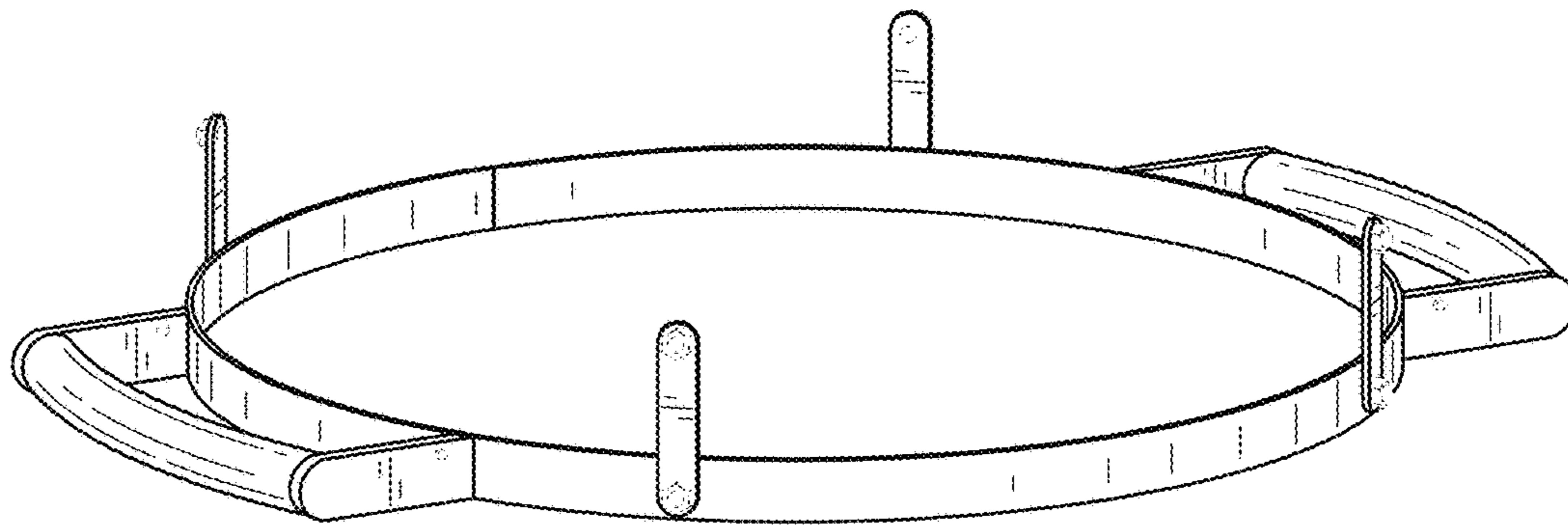


FIG. 1

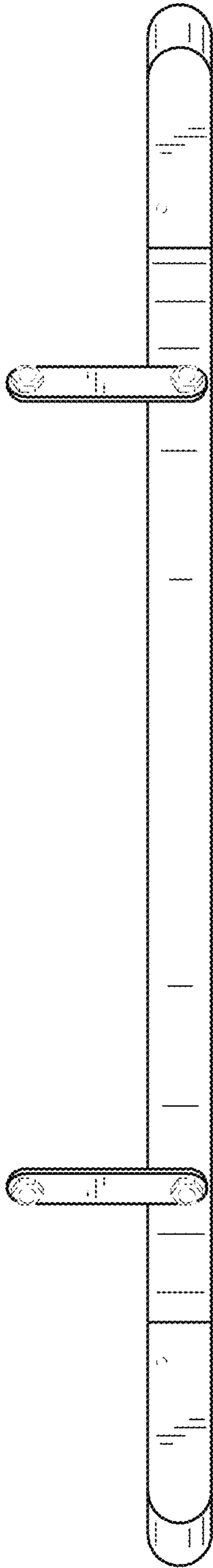


FIG. 2

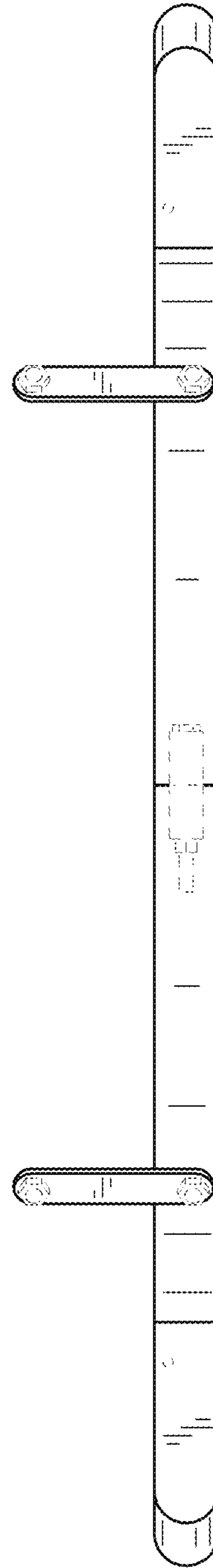


FIG. 3

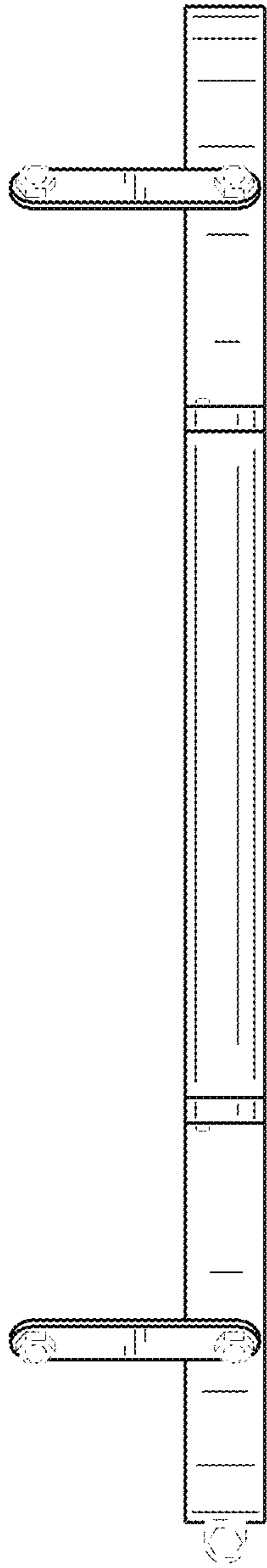


FIG. 4

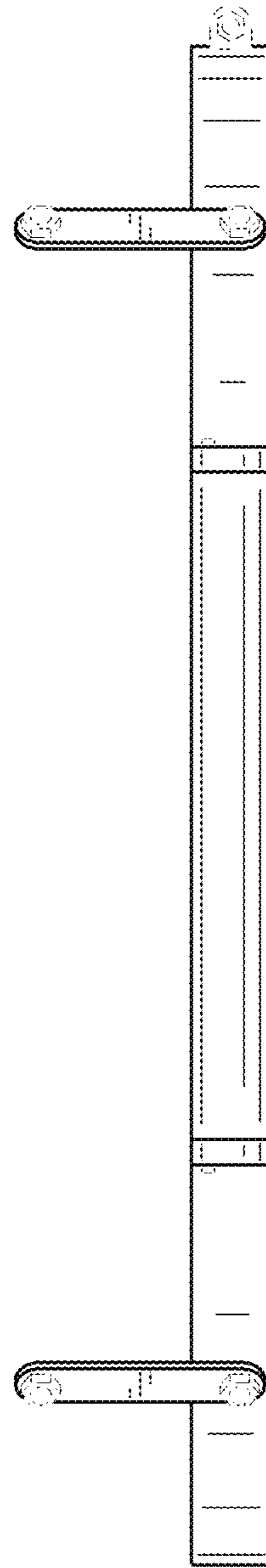


FIG. 5

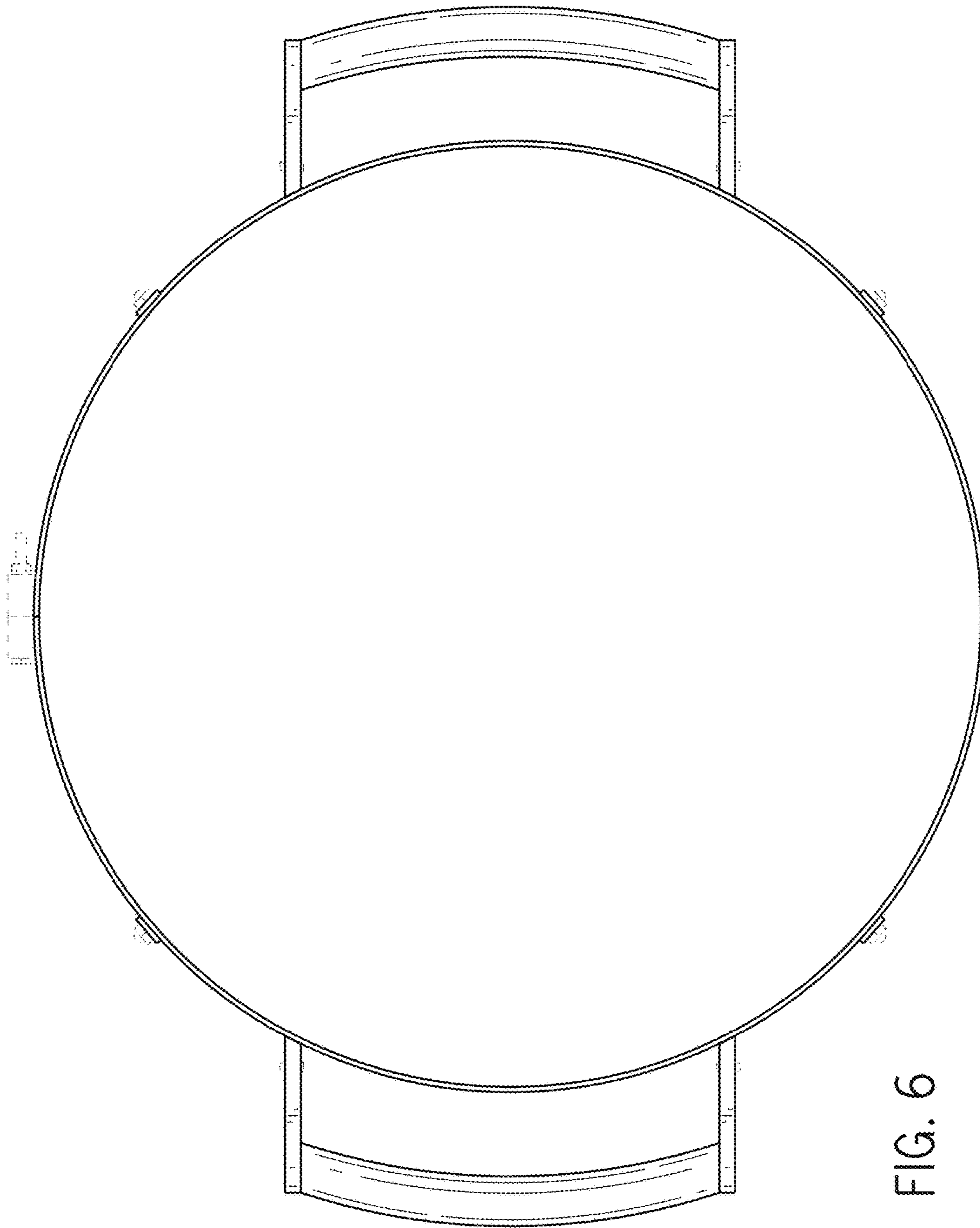


FIG. 6

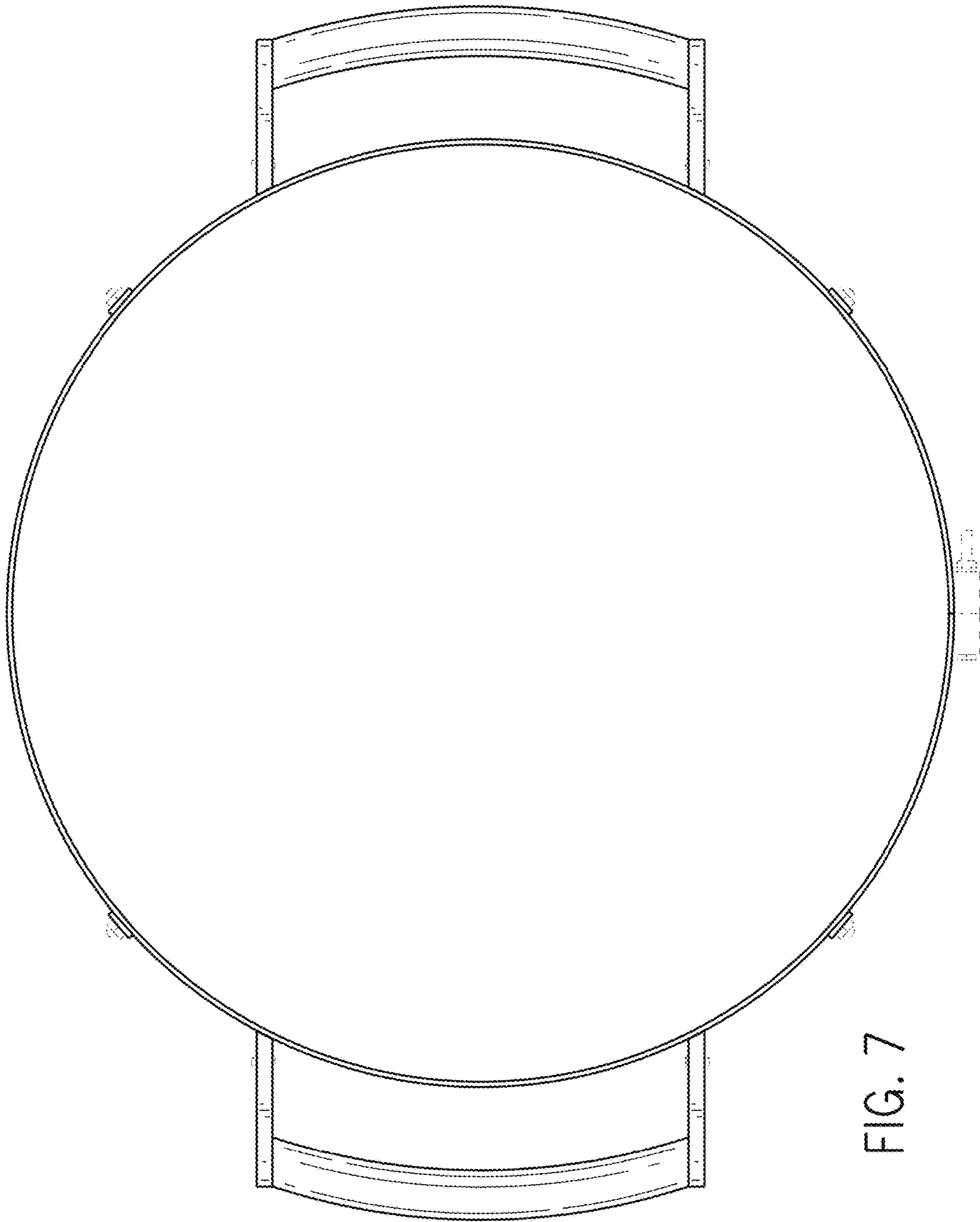


FIG. 7

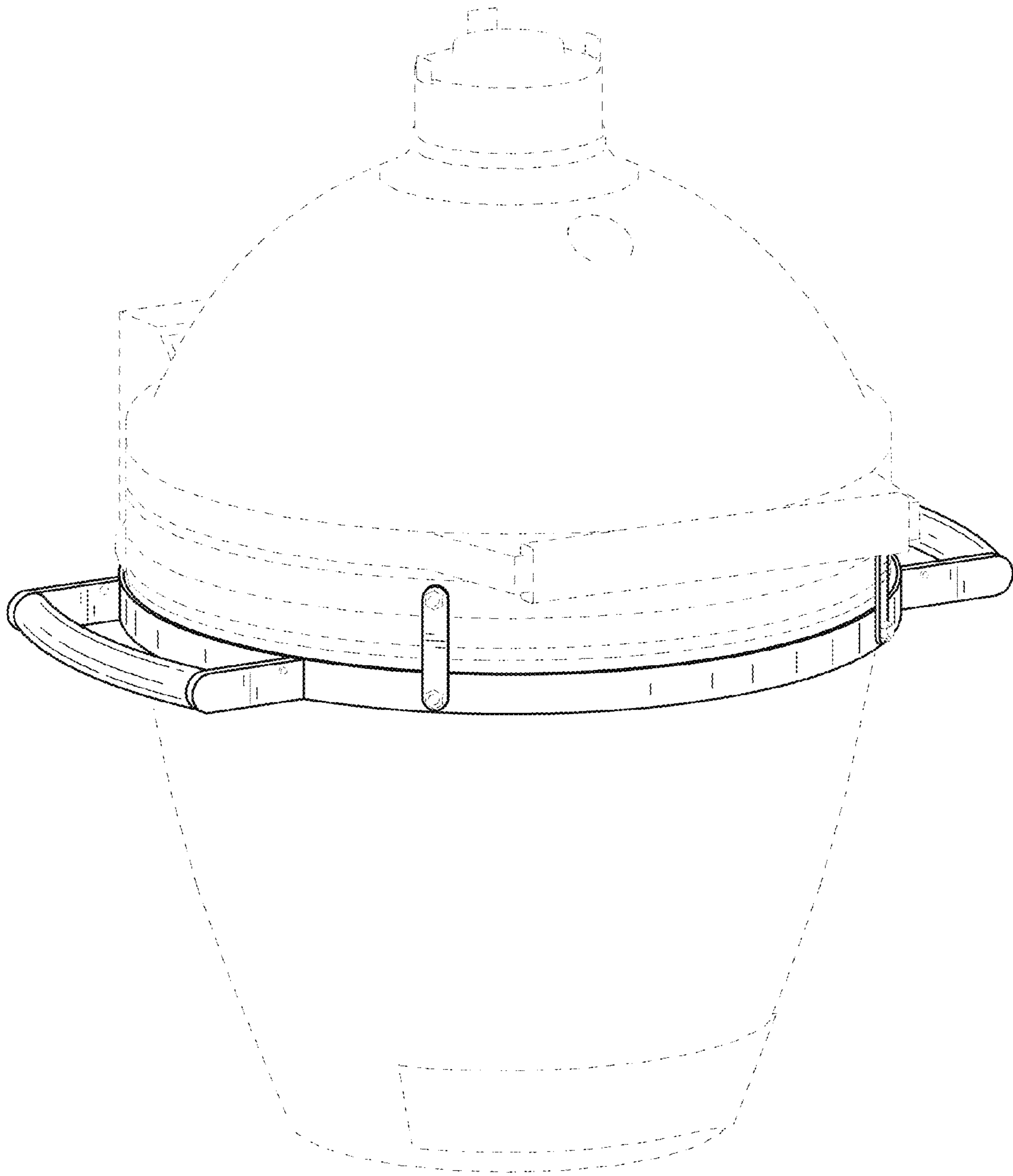


FIG. 8