



US00D822434S

(12) **United States Design Patent** (10) **Patent No.:** **US D822,434 S**
Ma (45) **Date of Patent:** **** Jul. 10, 2018**

(54) **SPLATTERING FENDER FOR FRYPAN**

DESCRIPTION

(71) Applicant: **Shenzhen Seefaa Scitech Co., Ltd.**,
Shenzhen (CN)

(72) Inventor: **Zhigang Ma**, Northville, MI (US)

(73) Assignee: **SHENZHEN SEEFAA SCITECH CO., LTD.**, Shenzhen (CN)

(**) Term: **15 Years**

(21) Appl. No.: **29/605,638**

(22) Filed: **May 28, 2017**

(30) **Foreign Application Priority Data**

Feb. 24, 2017 (CN) 2017 3 0050667

(51) **LOC (11) Cl.** **07-02**

(52) **U.S. Cl.**
USPC **D7/402; D7/368**

(58) **Field of Classification Search**
USPC D7/402, 354, 360, 361, 669, 323
(Continued)

(56) **References Cited**

U.S. PATENT DOCUMENTS

2,999,559 A * 9/1961 Boyer A47J 37/101
126/383.1
5,979,428 A * 11/1999 Greene, Jr. F24C 15/28
126/38

(Continued)

Primary Examiner — Terry A Wallace

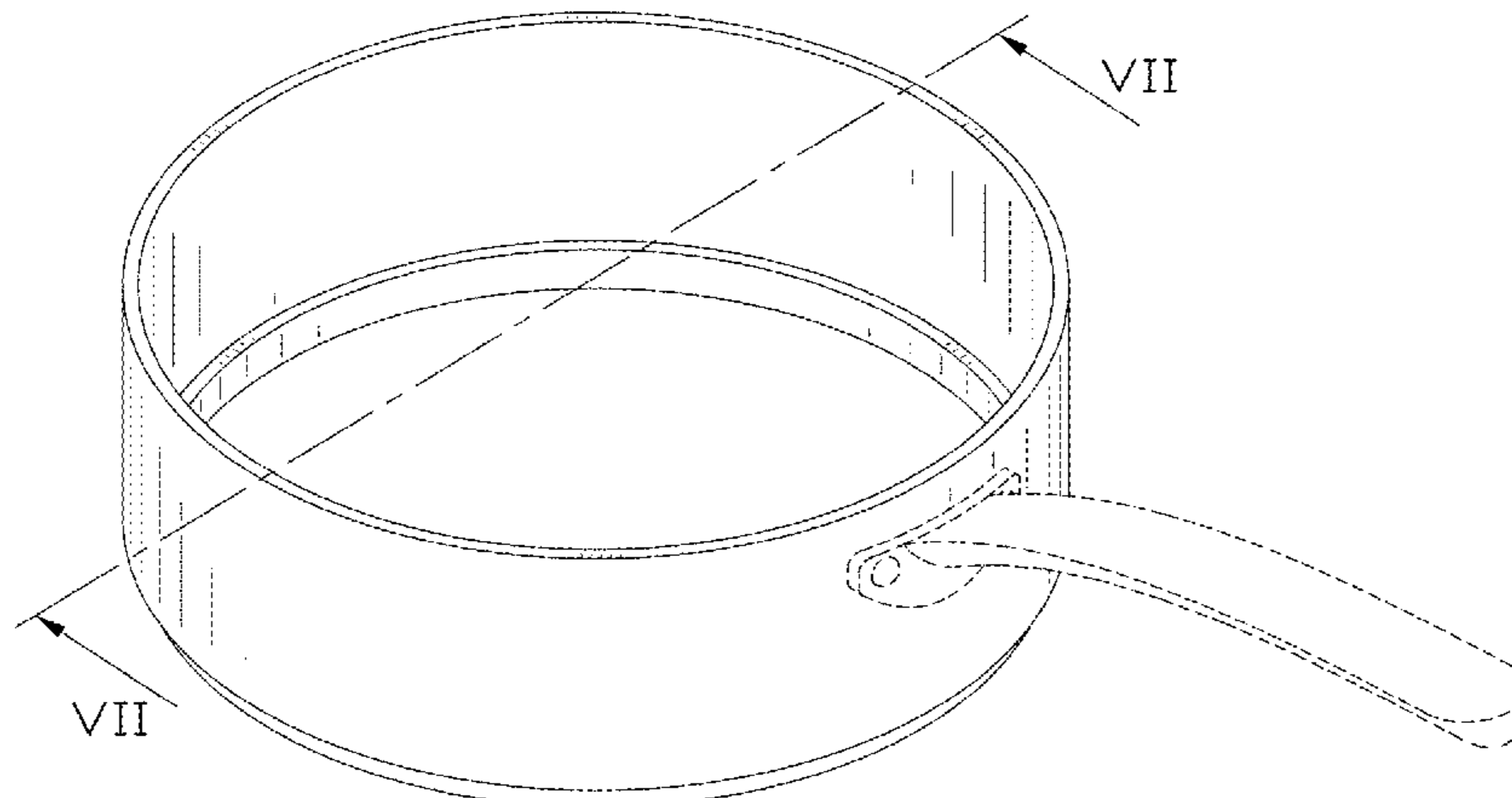
(74) *Attorney, Agent, or Firm* — Hemisphere Law, PLLC

(57) **CLAIM**

The ornamental design for a splattering fender for frypan, as shown and described.

FIG. 1 is a perspective view of a first embodiment of a splattering fender for frypan, showing the new design; FIG. 2 is a front elevational view of the splattering fender for frypan of FIG. 1, a rear elevational view thereof is a mirror view of the front view; FIG. 3 is a left side elevational view of the splattering fender for frypan of FIG. 1; FIG. 4 is a right side elevational view of the splattering fender for frypan of FIG. 1; FIG. 5 is a top plan view of the for splattering fender for frypan of FIG. 1; FIG. 6 is a bottom plan view of the splattering fender for frypan of FIG. 1; FIG. 7 is a cross-section view of the splattering fender for frypan of FIG. 1 along an imaginary line VII-VII, showing contours thereof; and FIG. 8 is a perspective view of the splattering fender for frypan of FIG. 1, wherein it is used with a frypan. FIG. 9 is a perspective view of a second embodiment of a splattering fender for frypan, showing the new design; FIG. 10 is a front elevational view of the splattering fender for frypan of FIG. 9, a rear elevational view thereof is a mirror view of the front elevational view; FIG. 11 is a left side elevational view of the splattering fender for frypan of FIG. 9; FIG. 12 is a right side elevational view of the splattering fender for frypan of FIG. 9; FIG. 13 is a top plan view of the for splattering fender for frypan of FIG. 9; FIG. 14 is a bottom plan view of the splattering fender for frypan of FIG. 9; FIG. 15 is a cross-section view of the splattering fender for frypan of FIG. 9 along an imaginary line XV-XV, showing contours thereof; and, FIG. 16 is a perspective view of the splattering fender for frypan of FIG. 9, wherein it is used with a frypan. The broken lines are employed to show either environmental structure or unclaimed portions of the splattering fender for frypan, and form no part of the claimed design.

1 Claim, 8 Drawing Sheets



(58) **Field of Classification Search**

CPC A47J 37/108; A47J 37/101; A47J 36/022;
A47J 36/06; F16B 45/00; F24C 15/12
See application file for complete search history.

(56) **References Cited**

U.S. PATENT DOCUMENTS

D420,864 S *	2/2000	Kenney	D7/667
6,698,336 B1 *	3/2004	Siegel	A21B 3/137 220/573.1
6,866,035 B2 *	3/2005	Haemerle	F24C 15/12 126/214 D
7,967,003 B2 *	6/2011	Lindsly	A47J 33/00 126/25 R
9,784,302 B2 *	10/2017	Reiner	F16B 45/00
2003/0230298 A1 *	12/2003	Klarich	F24C 15/36 126/9 R
2006/0027575 A1 *	2/2006	Lombardo	A47J 27/56 220/4.03
2009/0321459 A1 *	12/2009	Maczko	A47J 37/101 220/731

* cited by examiner

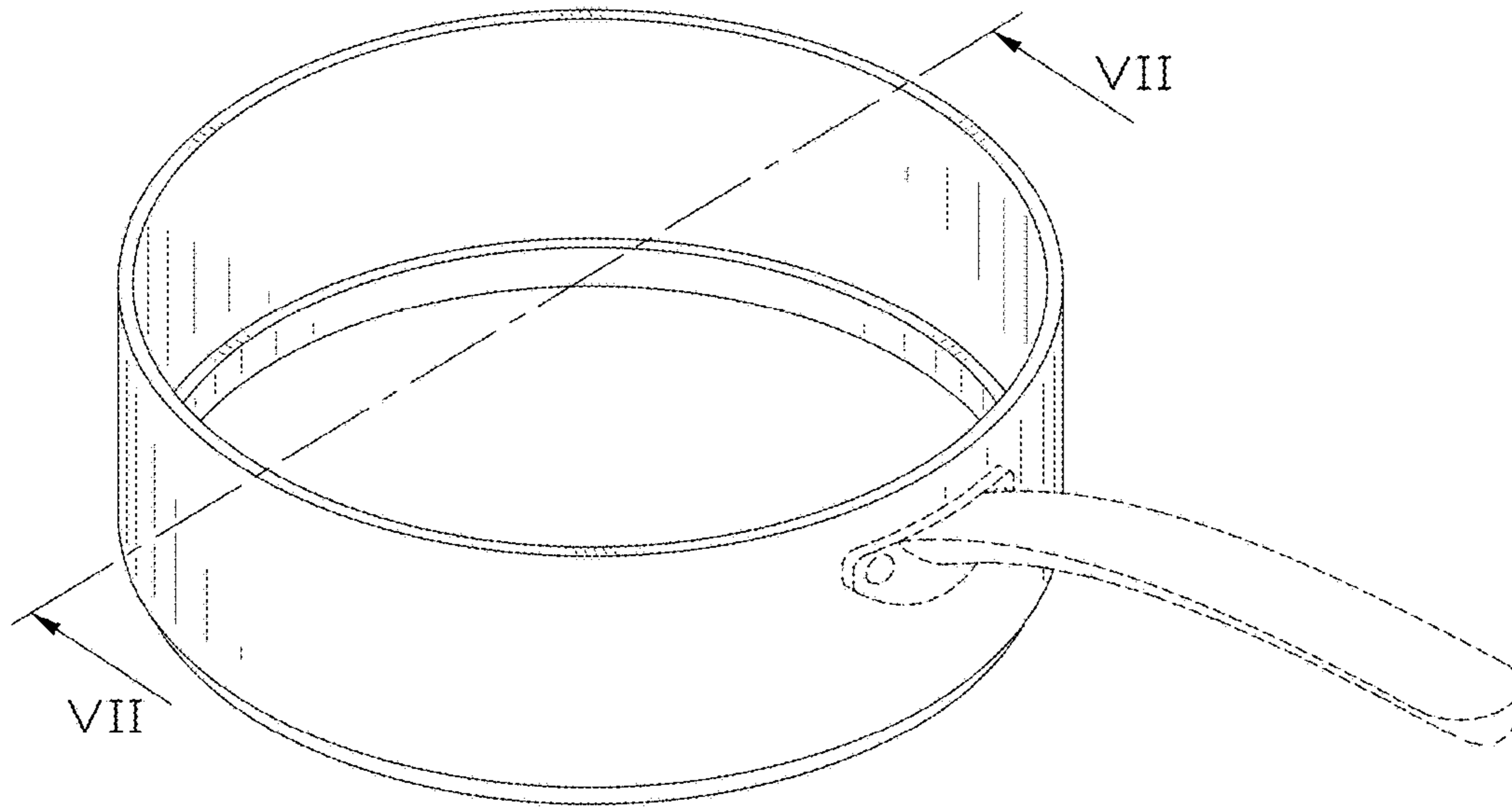


FIG. 1

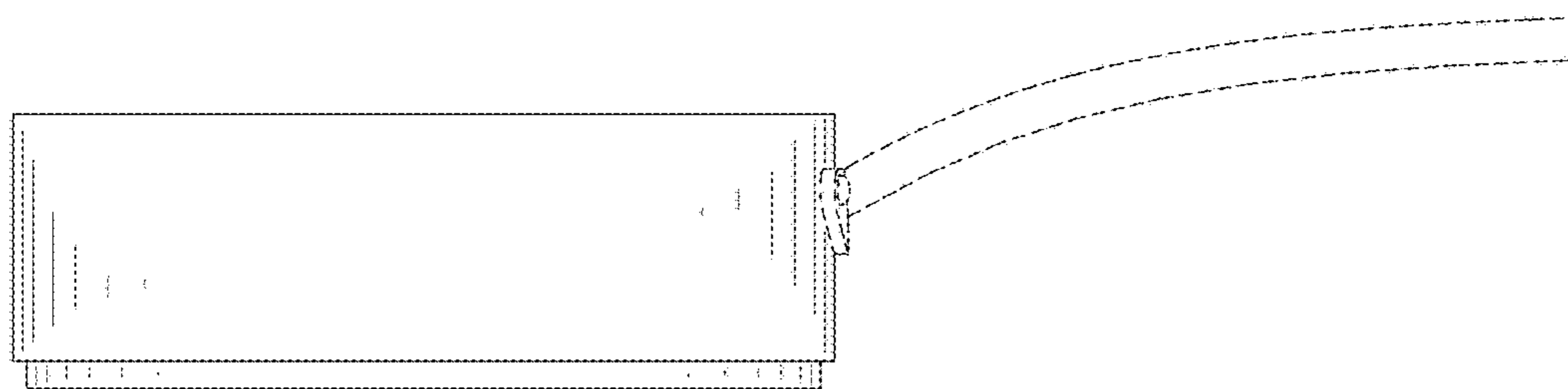


FIG. 2

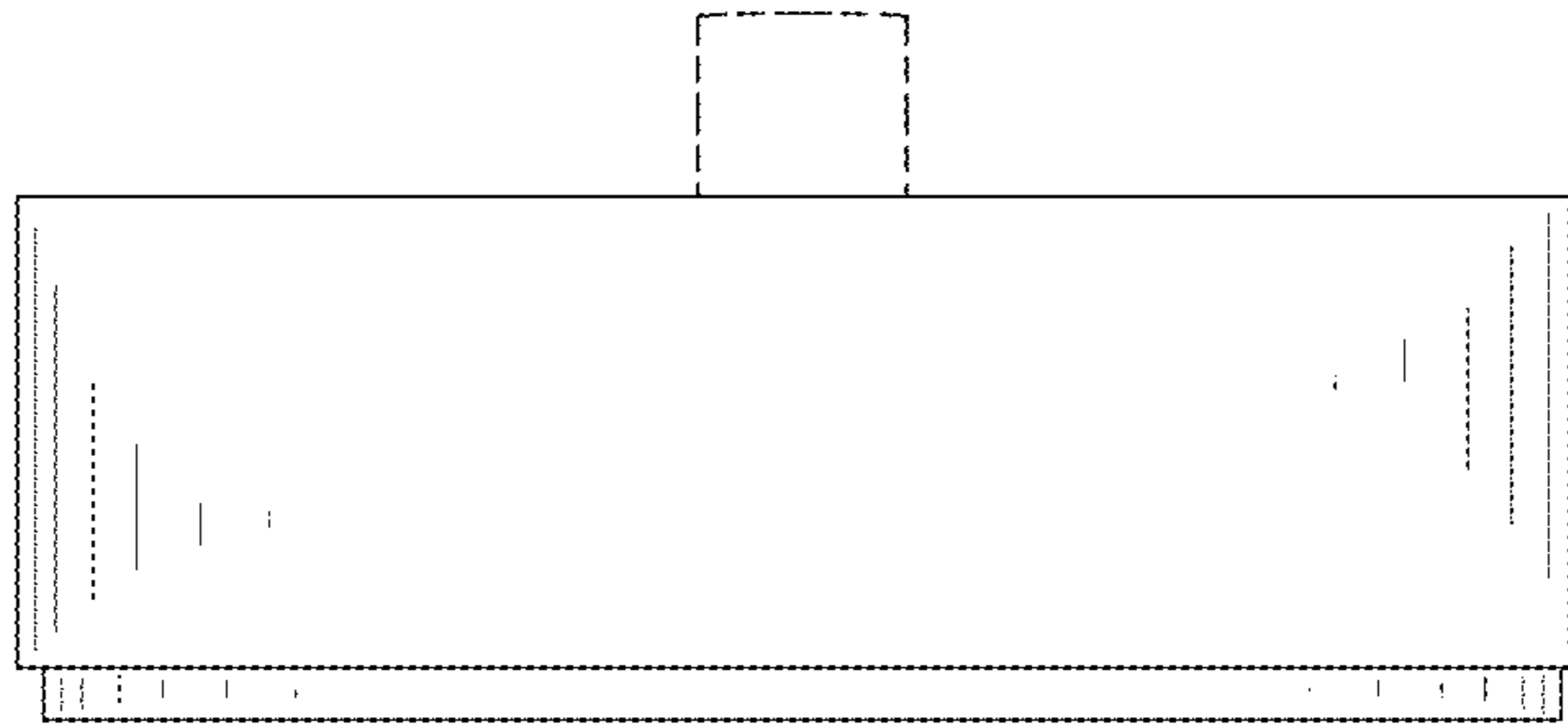


FIG. 3

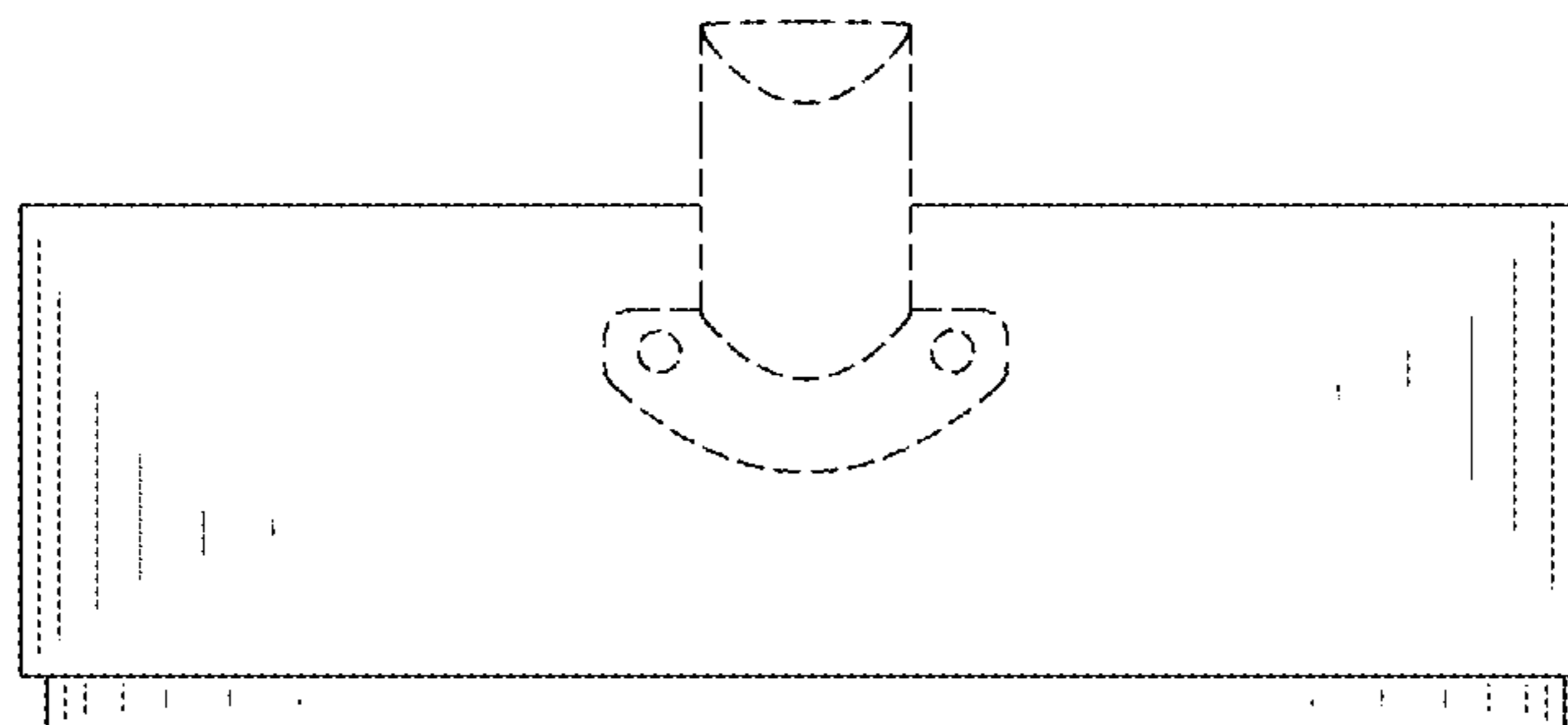


FIG. 4

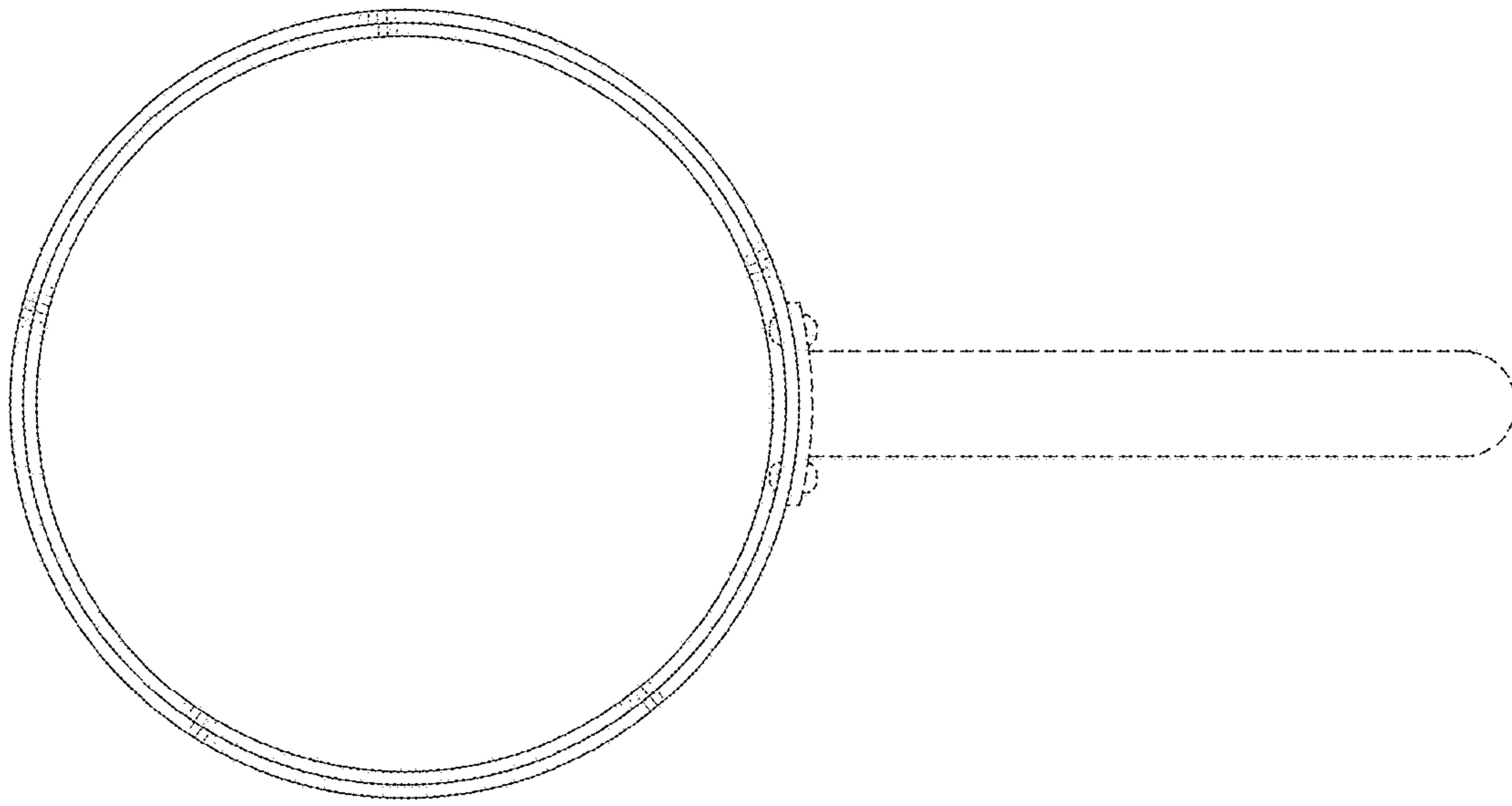


FIG. 5

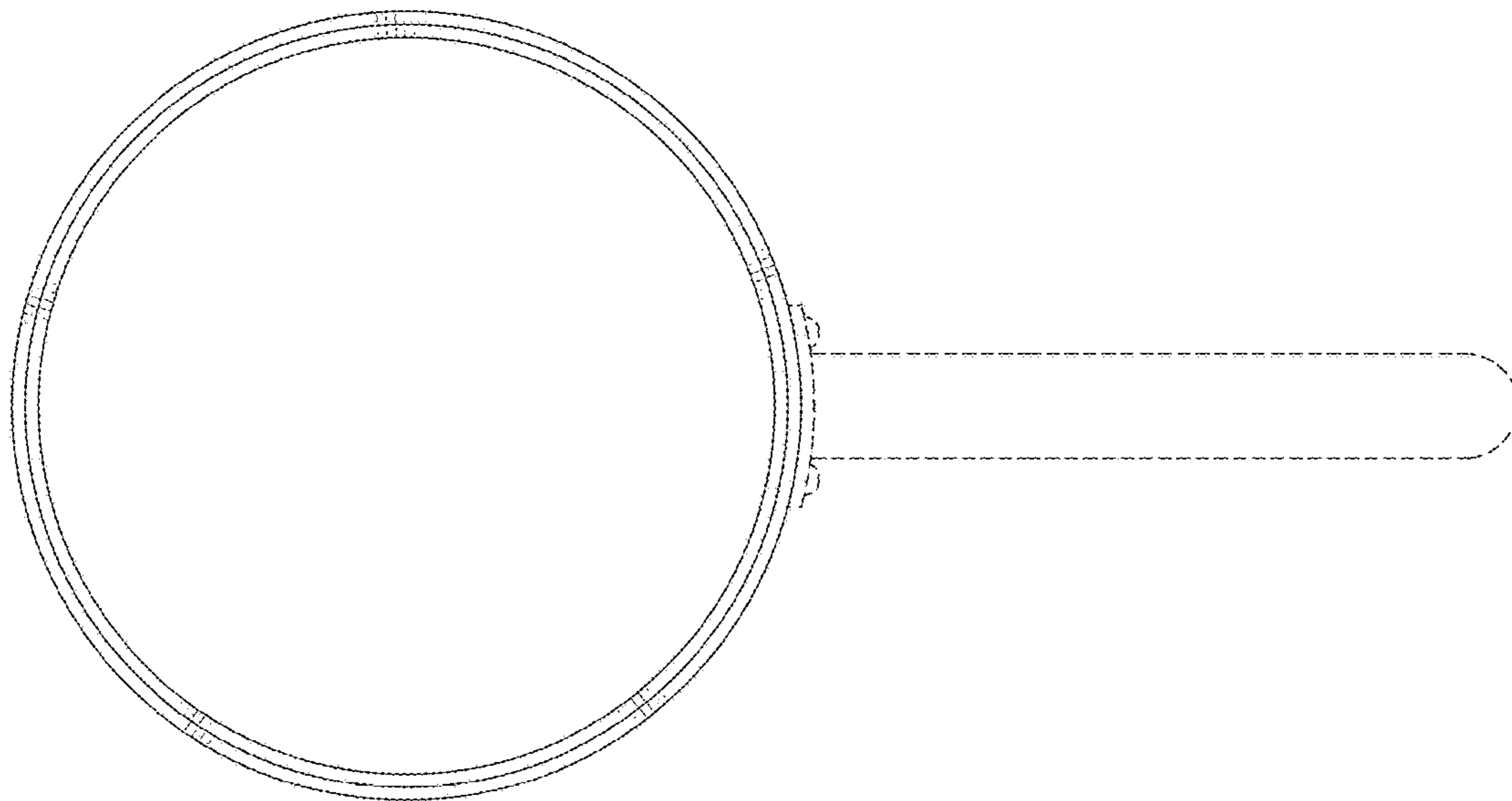


FIG. 6

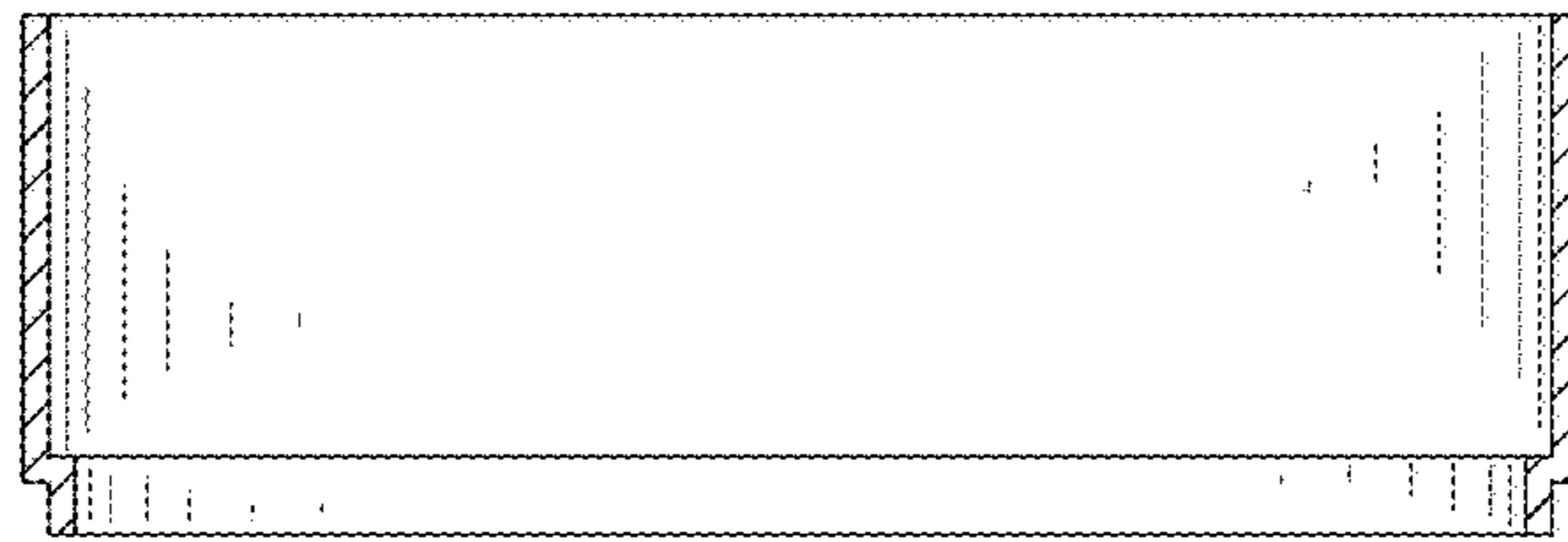


FIG. 7

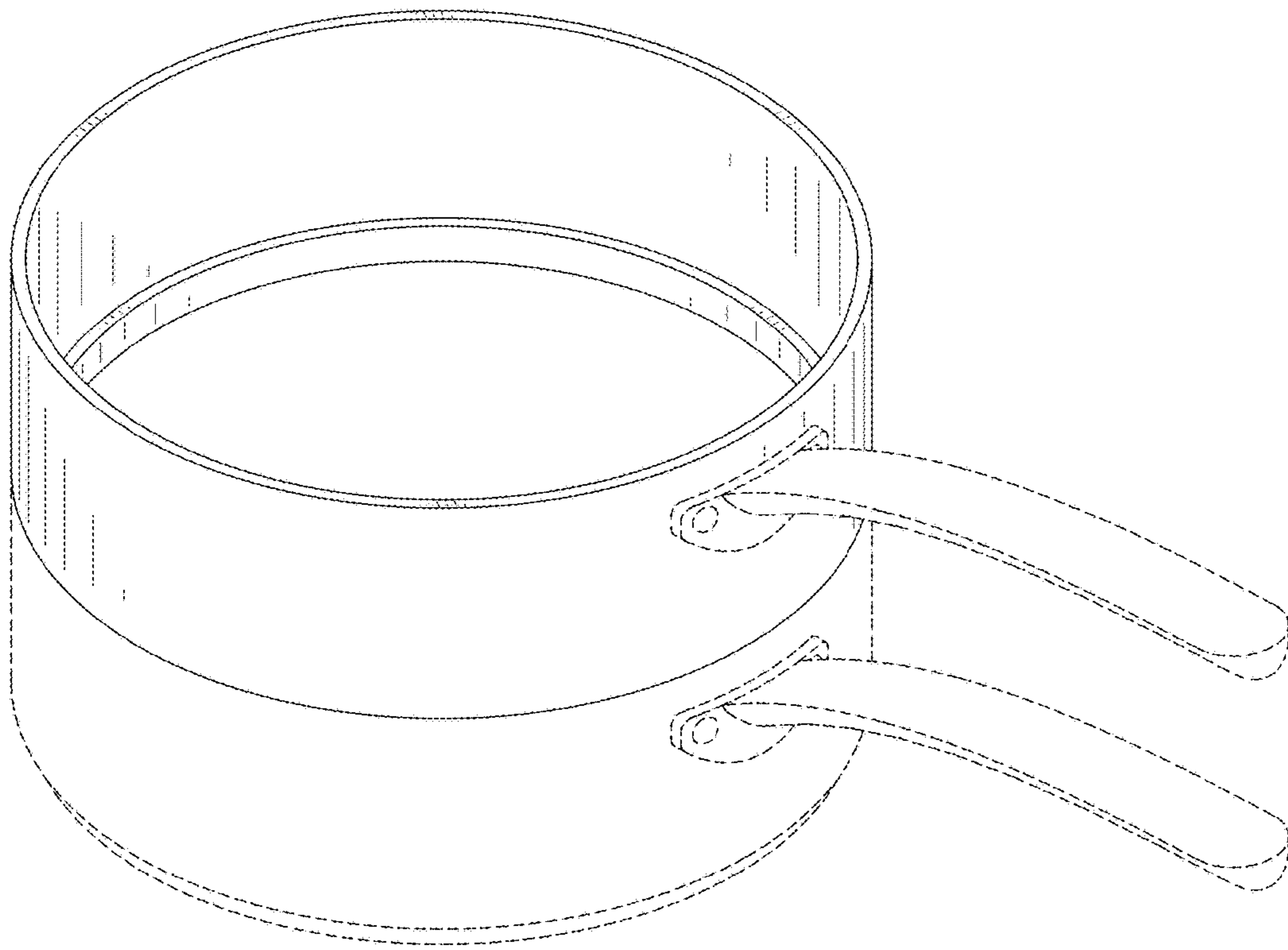


FIG. 8

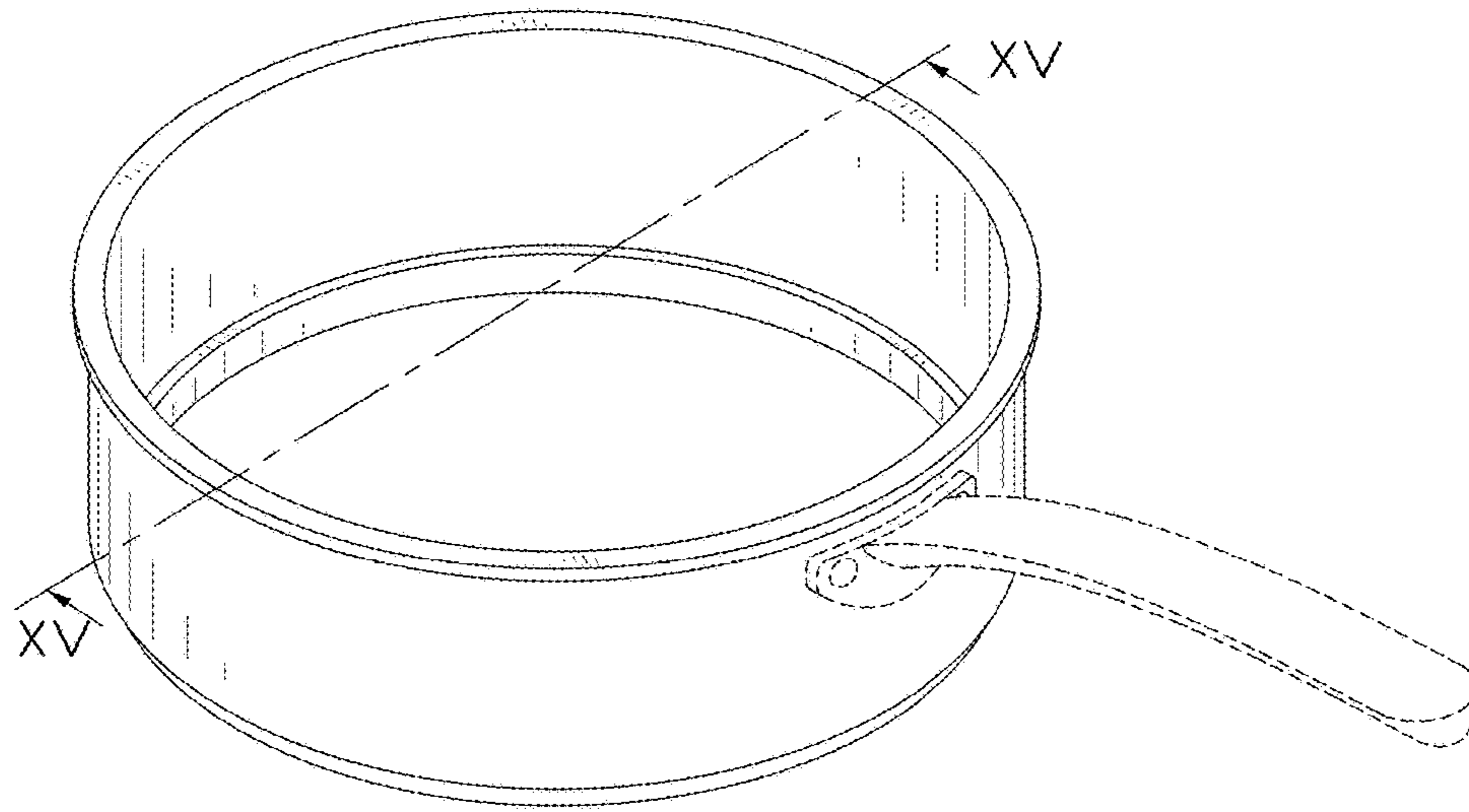


FIG. 9

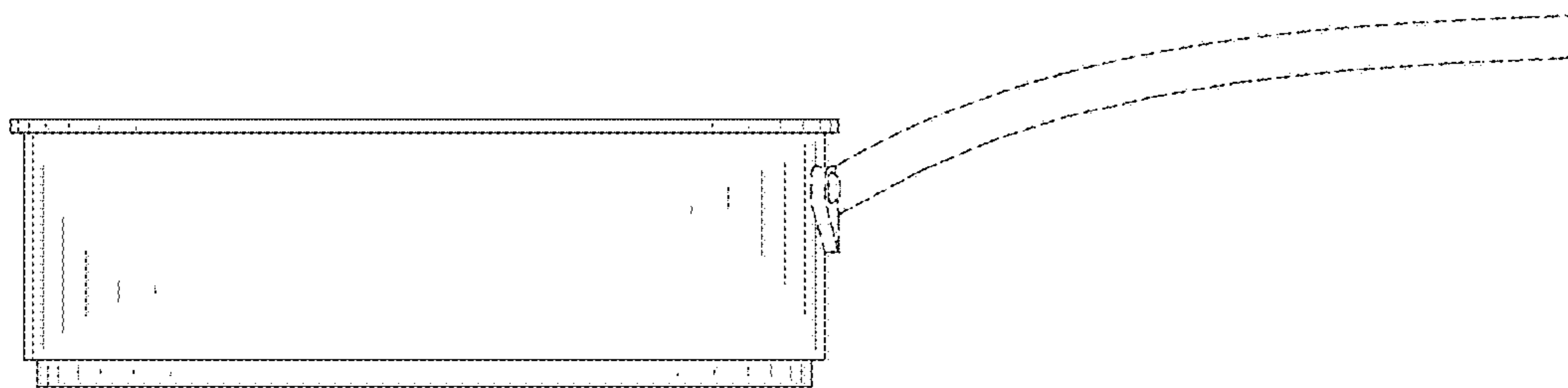


FIG. 10

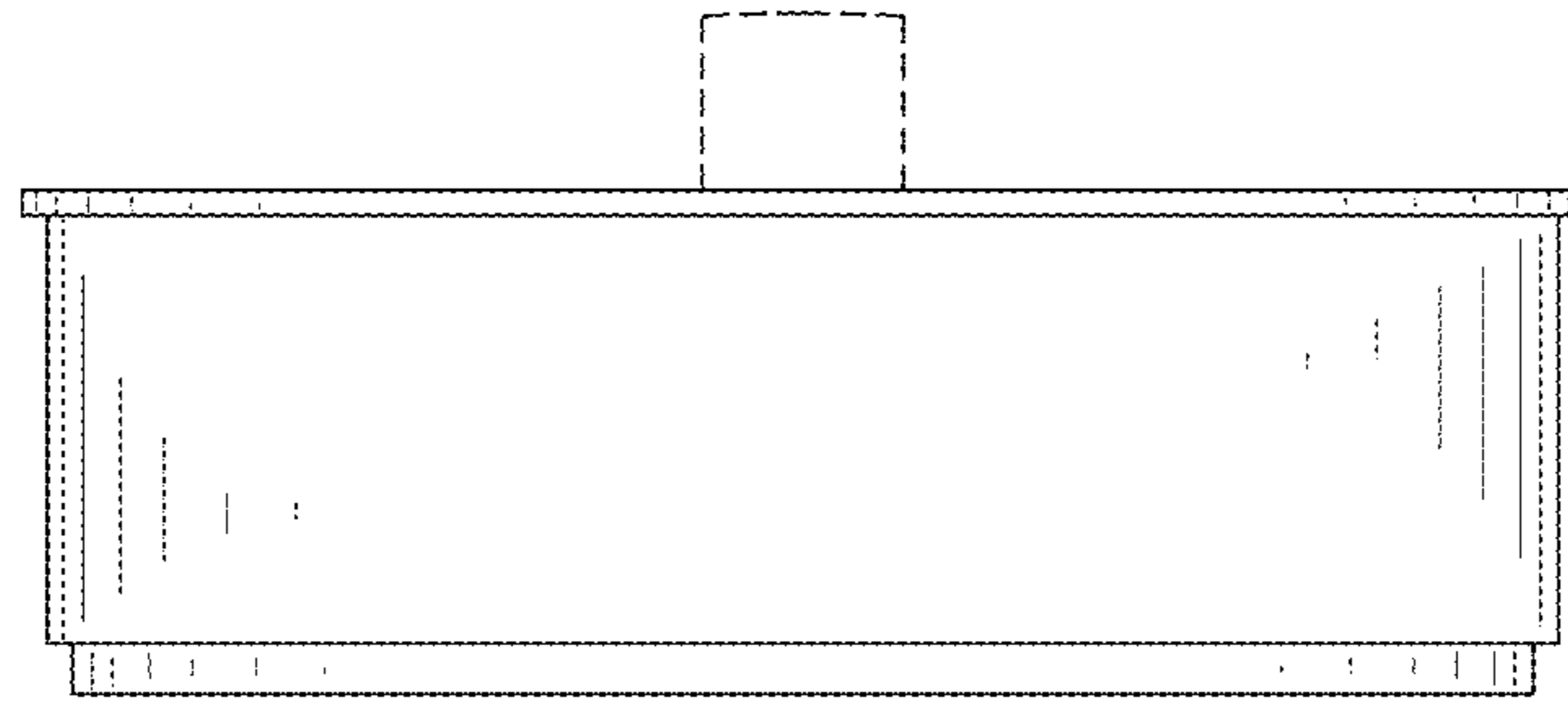


FIG. 11

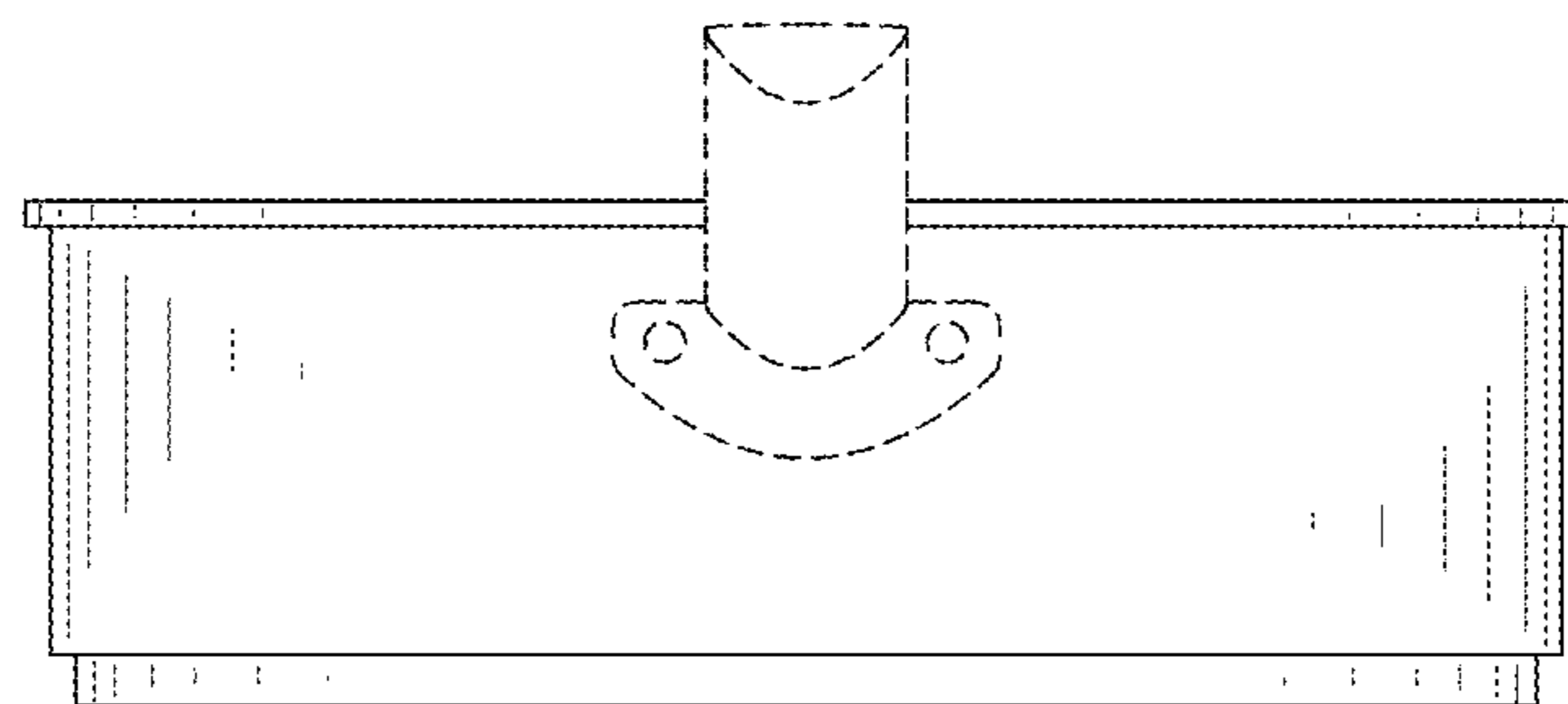


FIG. 12

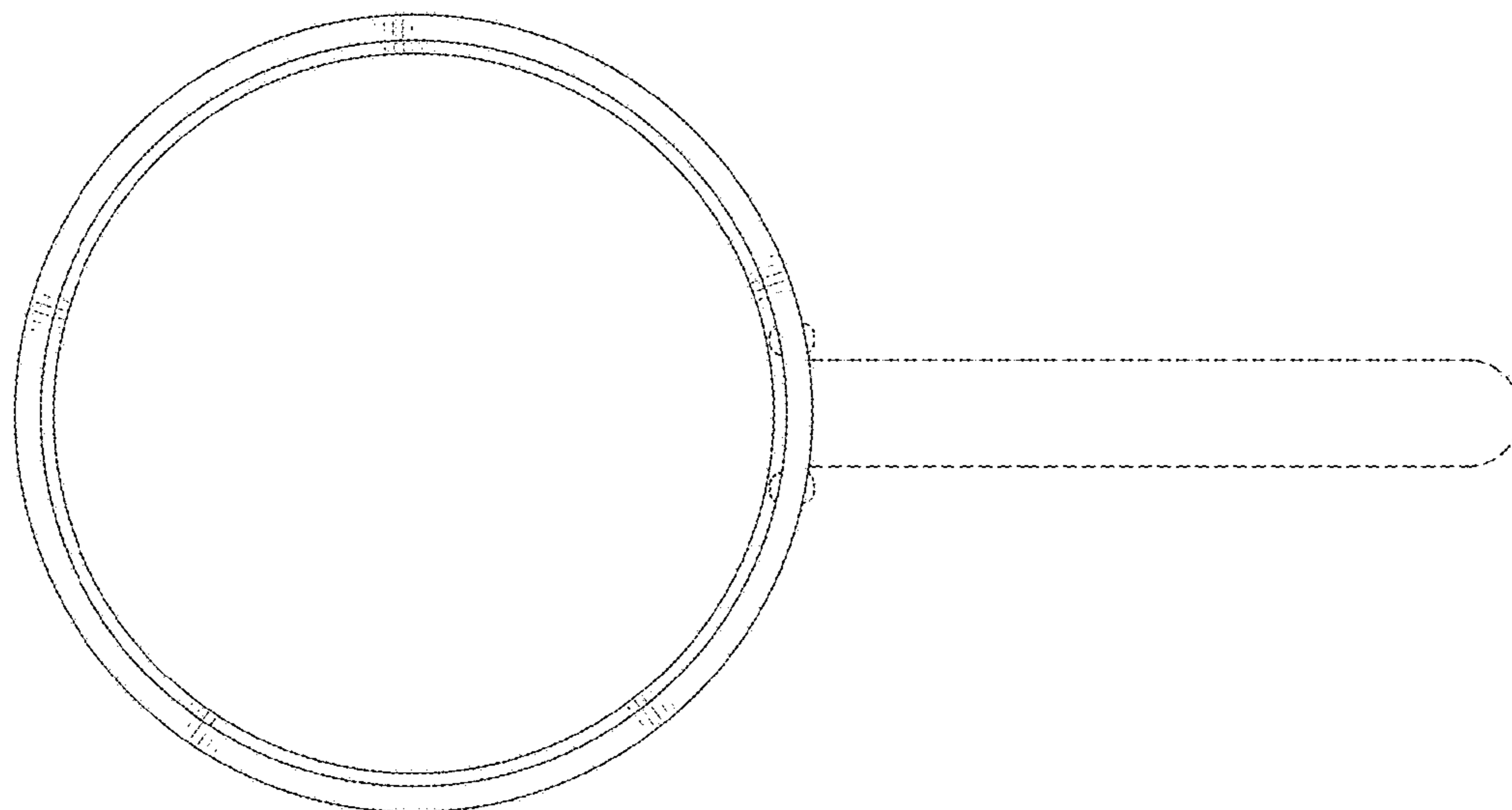


FIG. 13

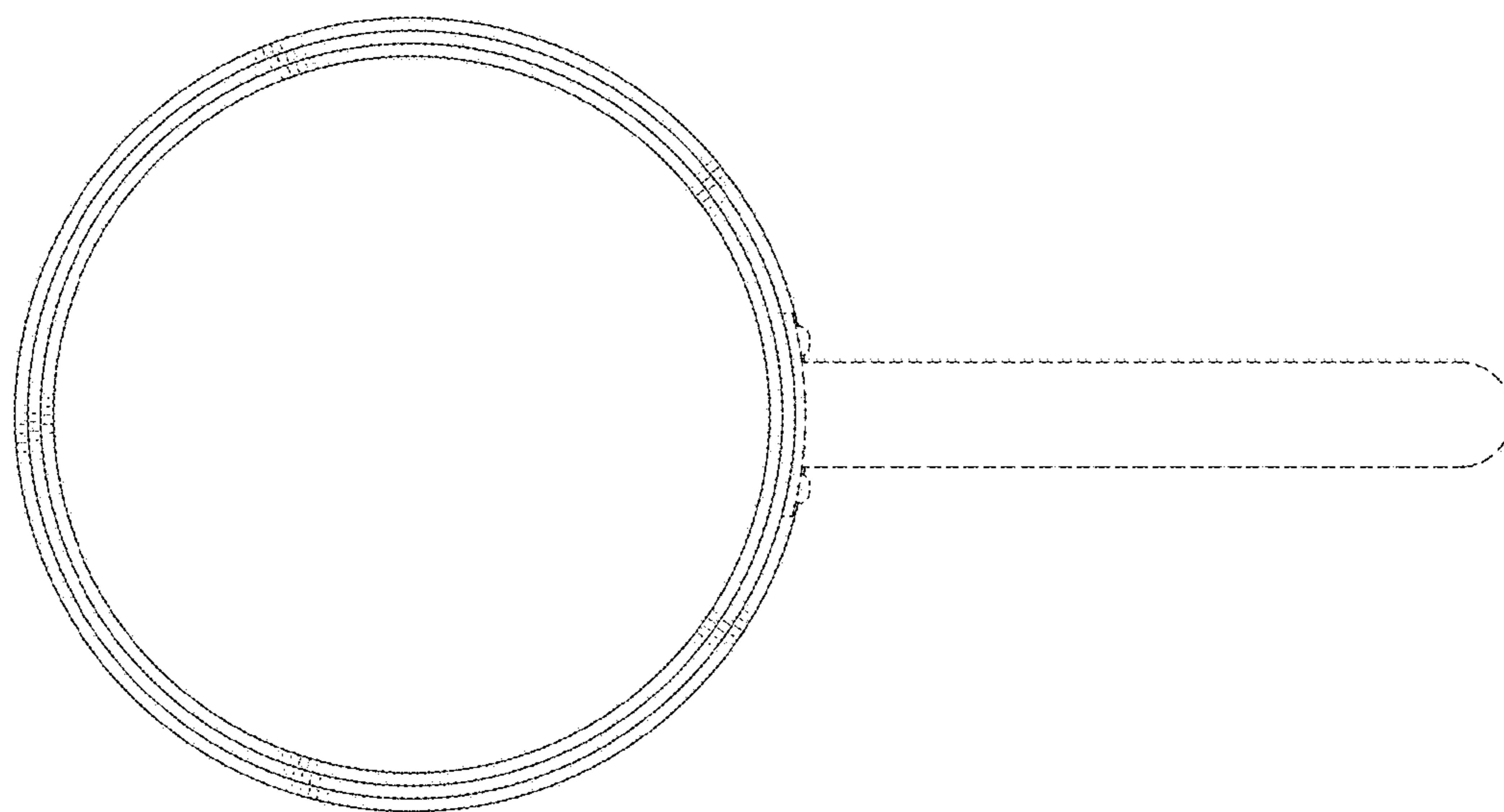


FIG. 14

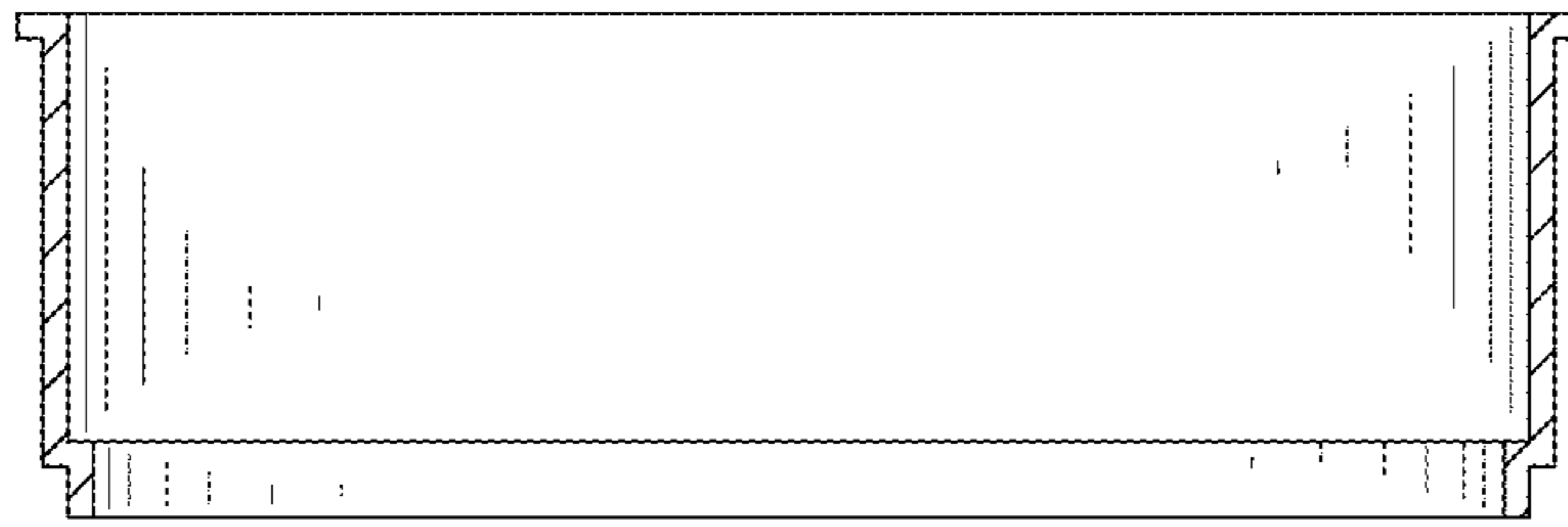


FIG. 15

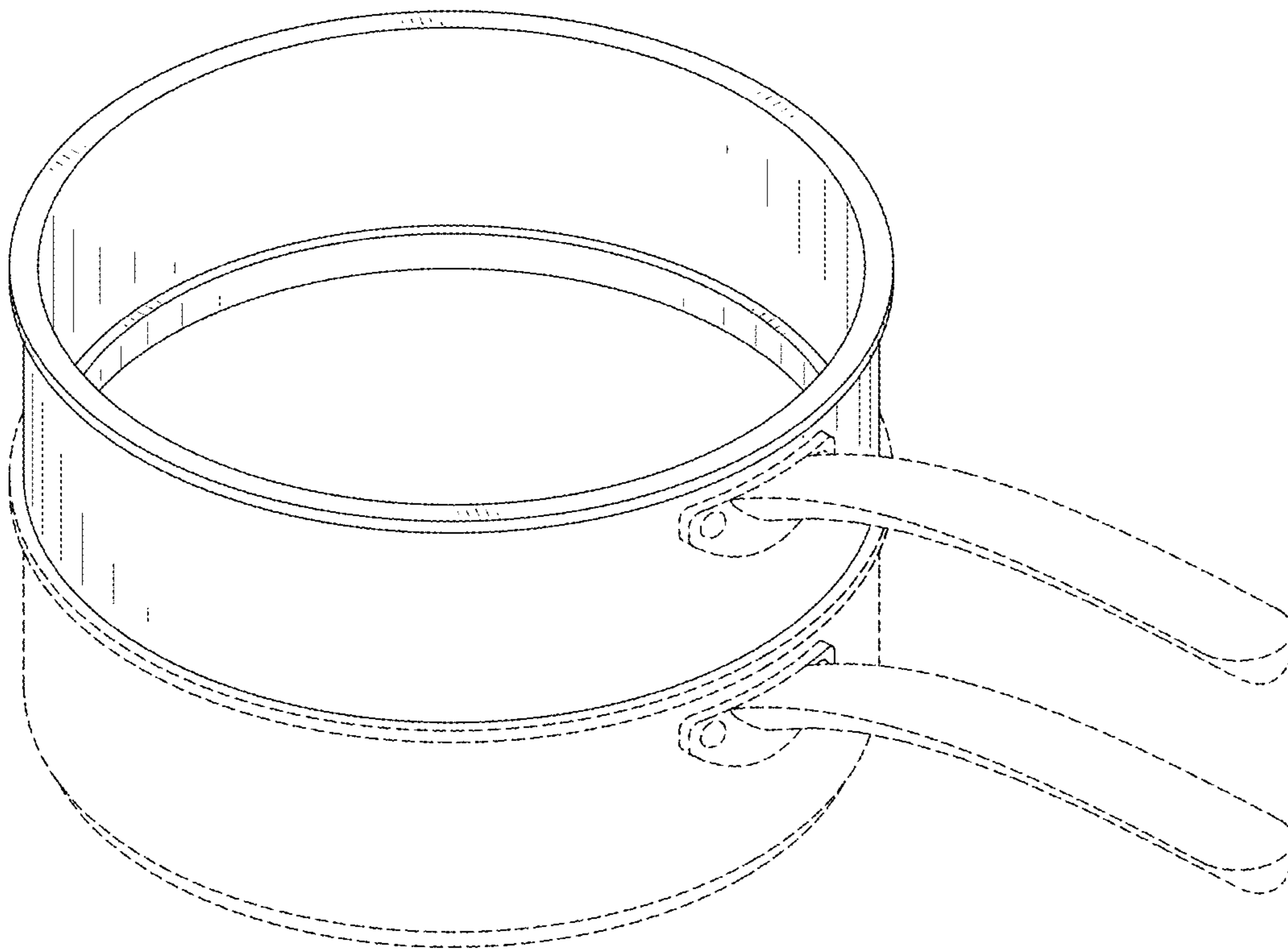


FIG. 16