



US00D822433S

(12) **United States Design Patent** (10) **Patent No.:** **US D822,433 S**
Ma (45) **Date of Patent:** **** Jul. 10, 2018**

(54) **SPLATTERING FENDER FOR FRYPAN**
(71) Applicant: **Shenzhen Seefaa Scitech Co., Ltd.**,
Shenzhen (CN)
(72) Inventor: **Zhigang Ma**, Northville, MI (US)
(73) Assignee: **SHENZHEN SEEFAA SCITECH**
CO., LTD., Shenzhen (CN)

(**) Term: **15 Years**
(21) Appl. No.: **29/601,510**
(22) Filed: **Apr. 24, 2017**

(30) **Foreign Application Priority Data**
Nov. 16, 2016 (CN) 2016 3 0557233
(51) **LOC (11) Cl.** **07-02**
(52) **U.S. Cl.**
USPC **D7/402; D7/368**
(58) **Field of Classification Search**
USPC D7/368, 323, 354, 669, 402
CPC A47J 37/108; A47J 37/101; A47J 36/022;
A47J 36/06; F16B 45/00; F24C 15/12
See application file for complete search history.

(56) **References Cited**
U.S. PATENT DOCUMENTS
5,979,428 A * 11/1999 Greene, Jr. F24C 15/28
126/38
D420,864 S * 2/2000 Kenney D7/667
6,698,336 B1 * 3/2004 Siegel A21B 3/137
220/573.1
6,866,035 B2 * 3/2005 Haemerle F24C 15/12
126/214 D
7,967,003 B2 * 6/2011 Lindsly A47J 33/00
126/25 R
9,784,302 B2 * 10/2017 Reiner F16B 45/00
2003/0230298 A1 * 12/2003 Klarich F24C 15/36
126/9 R

(Continued)

Primary Examiner — Terry A Wallace
(74) *Attorney, Agent, or Firm* — Hemisphere Law, PLLC

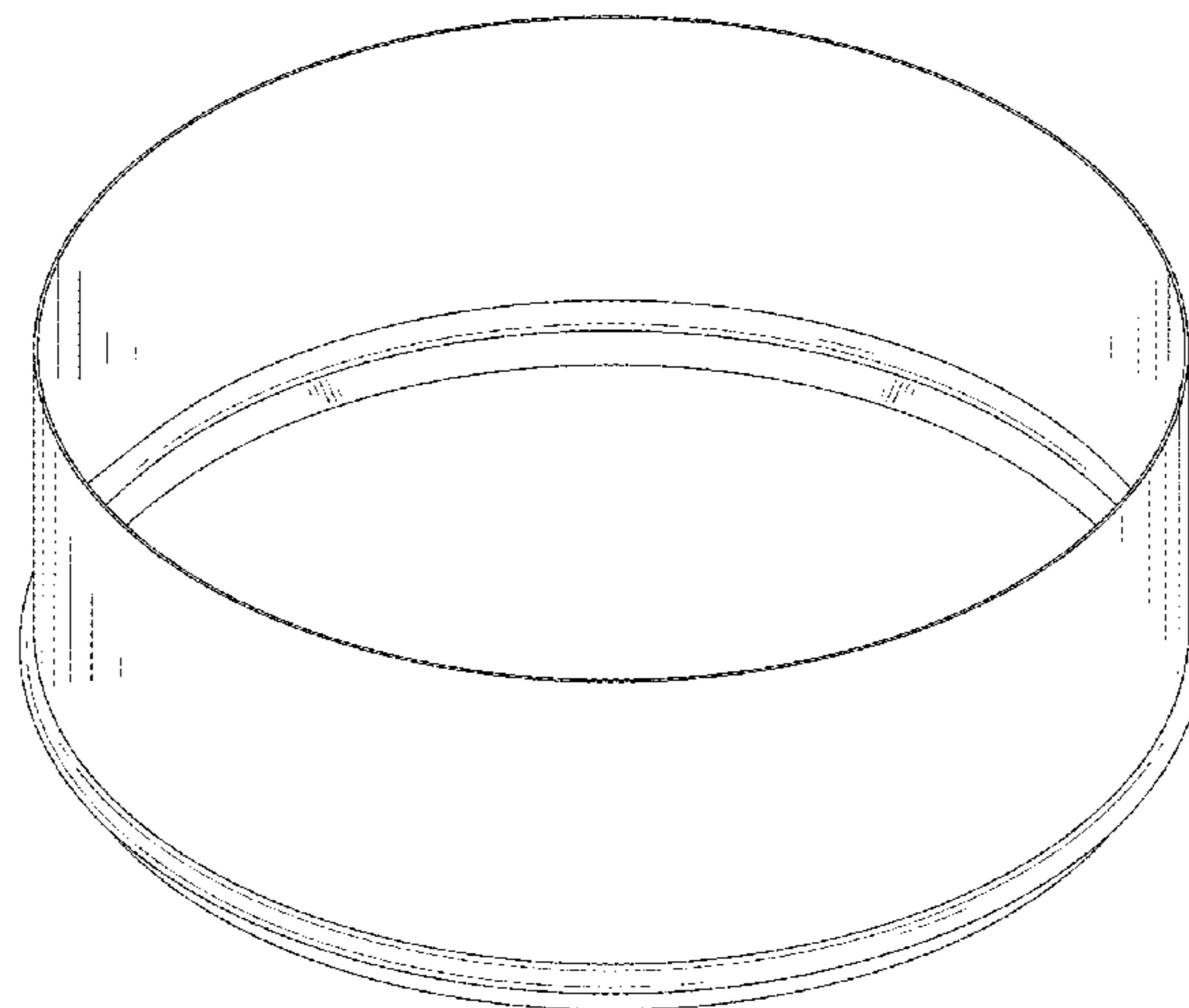
(57) **CLAIM**

The ornamental design for a splattering fender for frypan, as shown and described.

DESCRIPTION

FIG. 1 is a perspective view of a first embodiment of a splattering fender for frypan, showing the new design; FIG. 2 is a front view of the splattering fender for frypan of FIG. 1, a rear, left or right view thereof is the same as the front view; FIG. 3 is a top plan view of the splattering fender for frypan of FIG. 1; FIG. 4 is a bottom plan view of the splattering fender for frypan of FIG. 1; FIG. 5 is a cross-section view of the splattering fender for frypan of FIG. 1, showing contours thereof; and FIG. 6 is a perspective view of the splattering fender for frypan of FIG. 1 in use with cookware. FIG. 7 is a perspective view of a second embodiment of the splattering fender for frypan, showing the new design; FIG. 8 is a front view of the splattering fender for frypan of FIG. 7, a rear, left or right view thereof is the same as the front view; FIG. 9 is a top plan view of the splattering fender for frypan of FIG. 7; FIG. 10 is a bottom plan view of the splattering fender for frypan of FIG. 7; FIG. 11 is a cross-section view of the splattering fender for frypan of FIG. 7, showing contours thereof; and, FIG. 12 is a perspective view of the splattering fender for frypan of FIG. 7 in use with cookware. The broken lines are employed to show environmental structure the splattering fender for frypan might be used with, and form no part of the claimed design.

1 Claim, 12 Drawing Sheets



(56)

References Cited

U.S. PATENT DOCUMENTS

2006/0027575 A1* 2/2006 Lombardo A47J 27/56
220/4.03
2009/0321459 A1* 12/2009 Maczko A47J 37/101
220/731

* cited by examiner

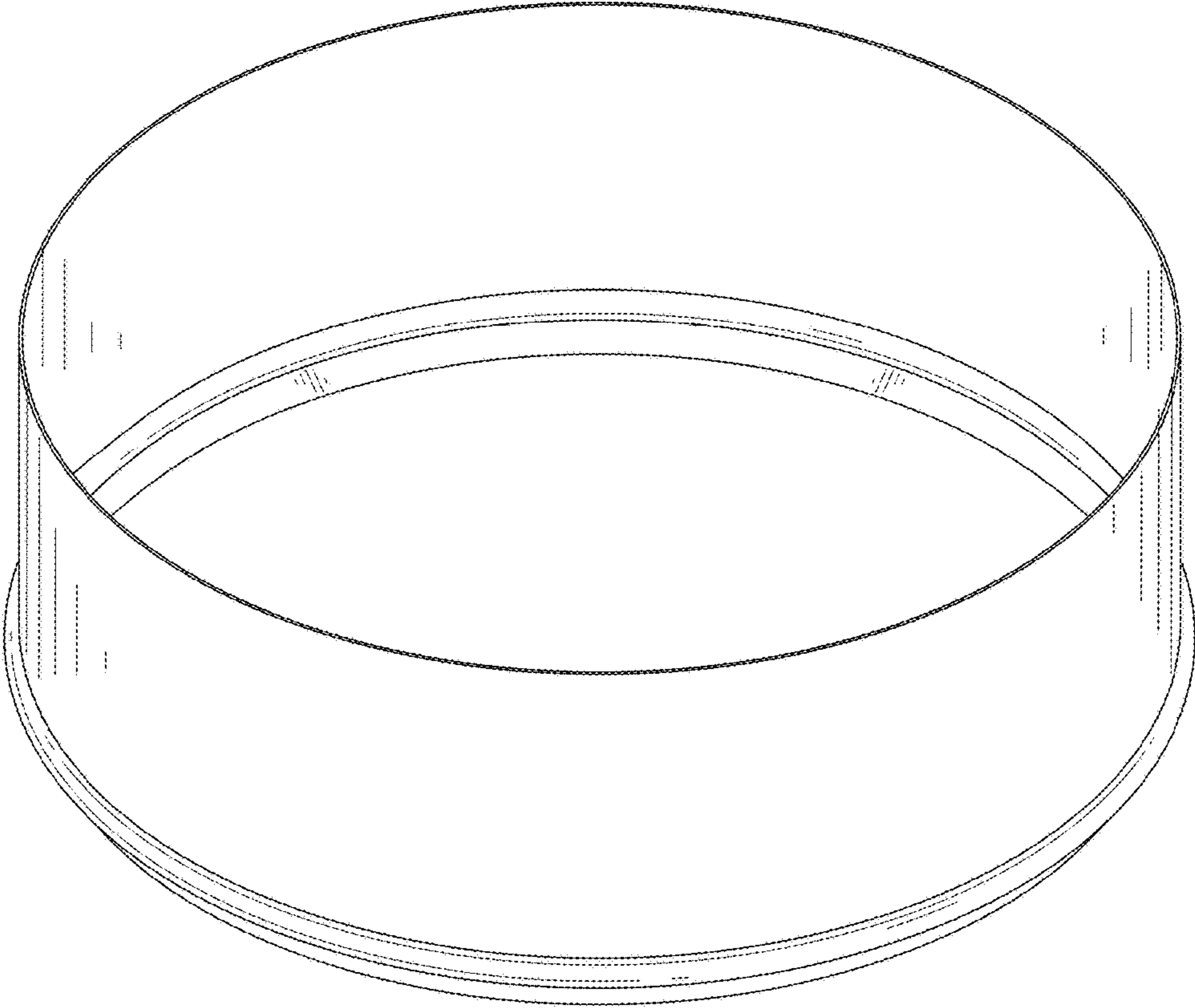


FIG. 1

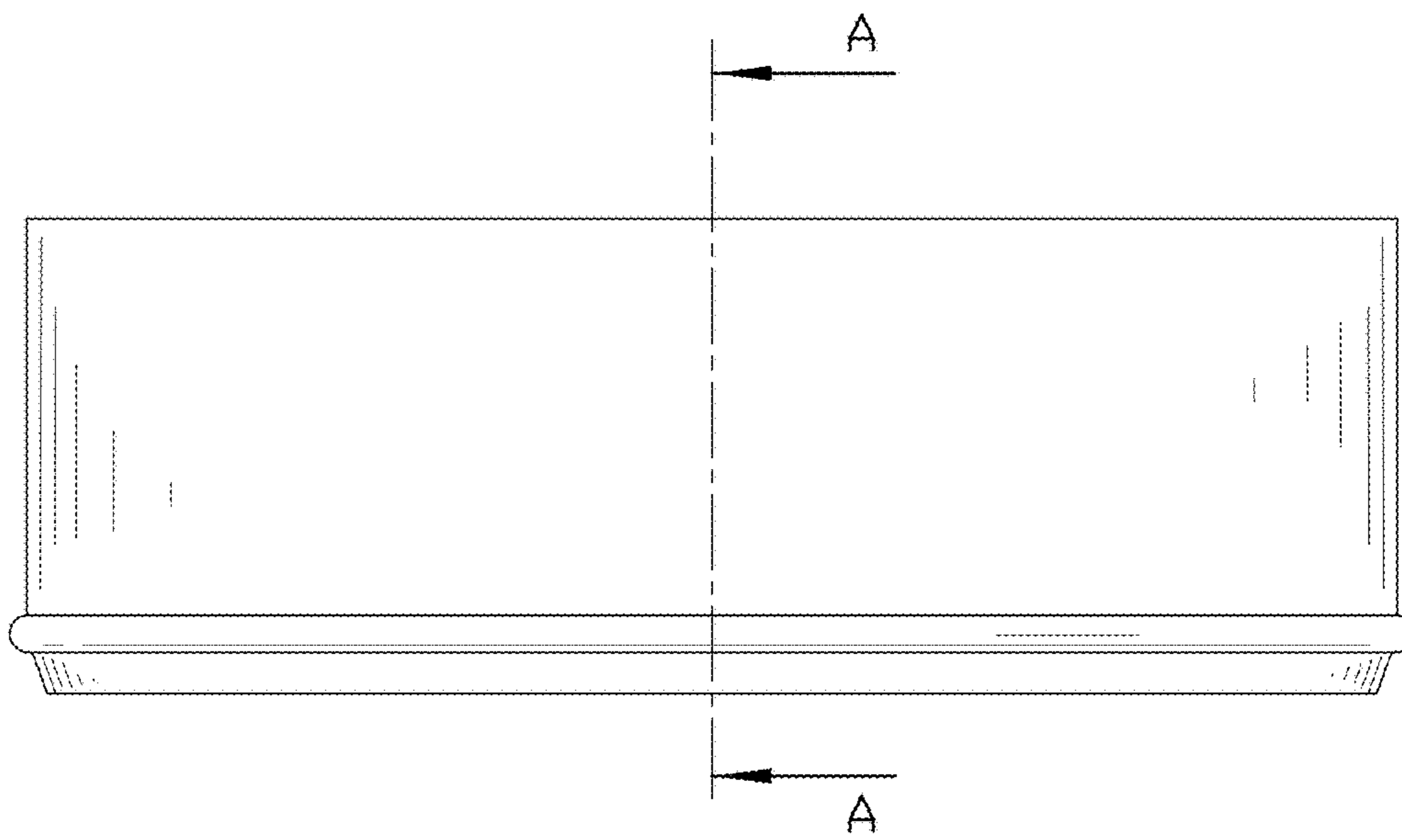


FIG. 2

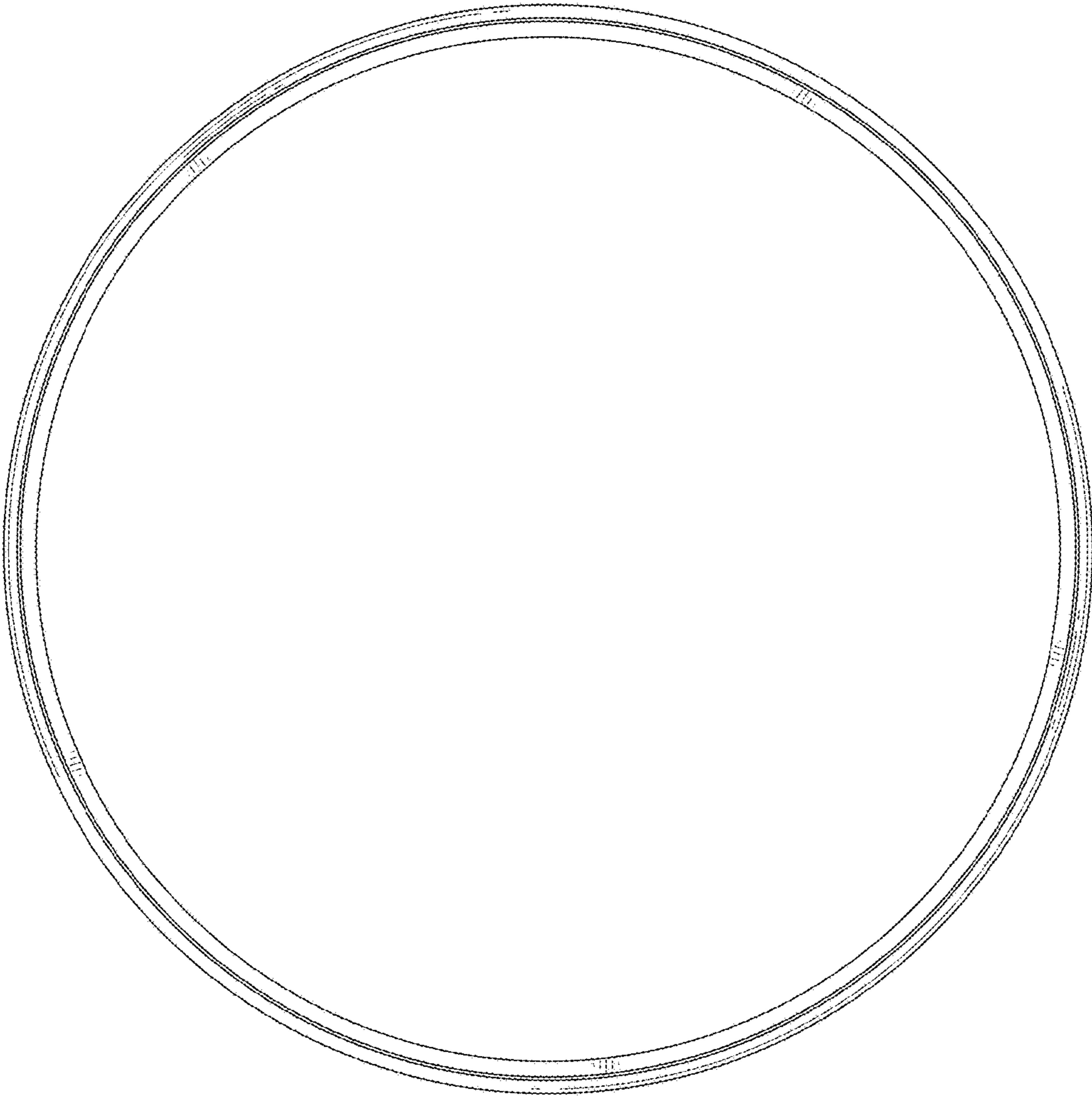


FIG. 3

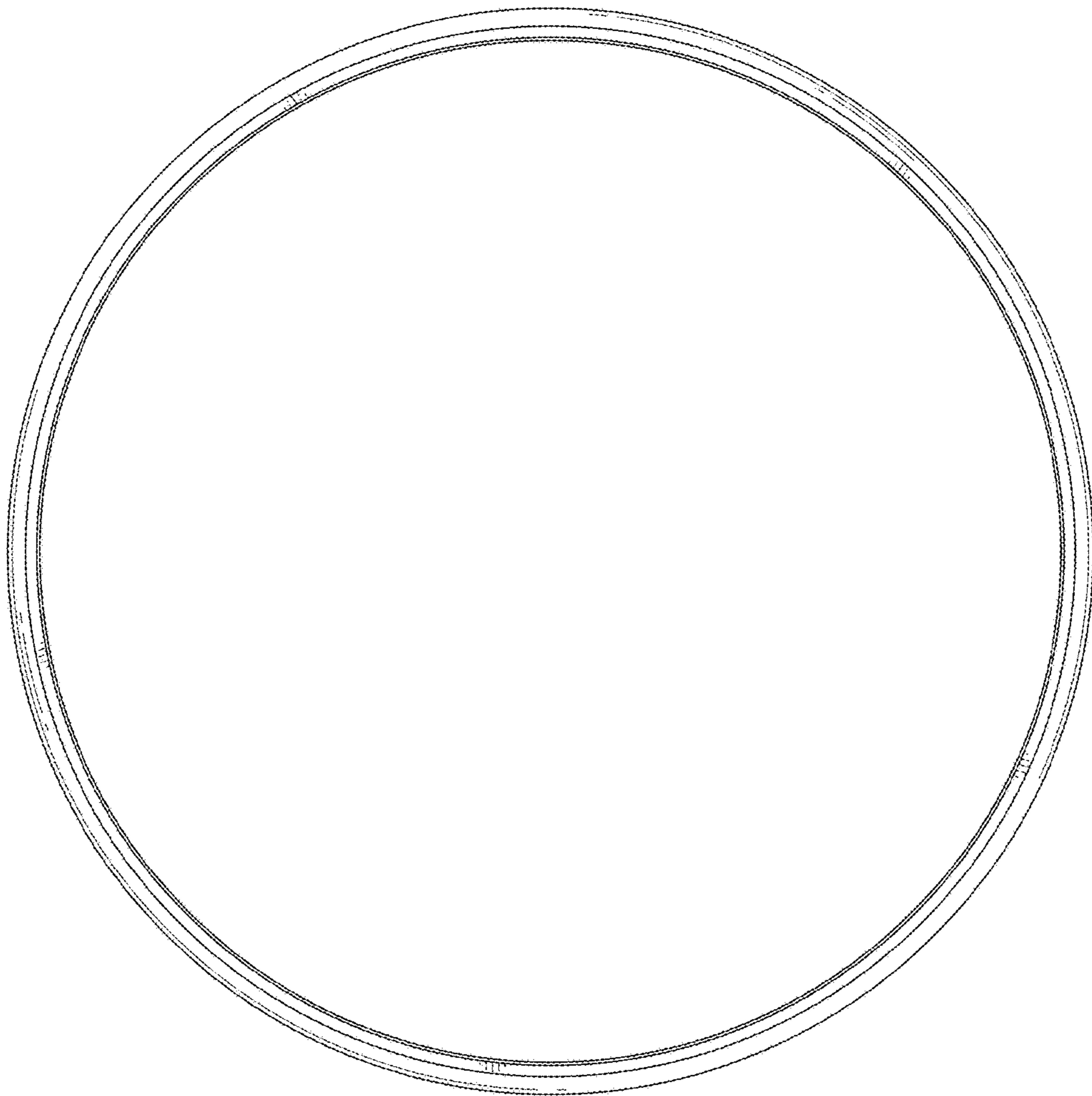


FIG. 4

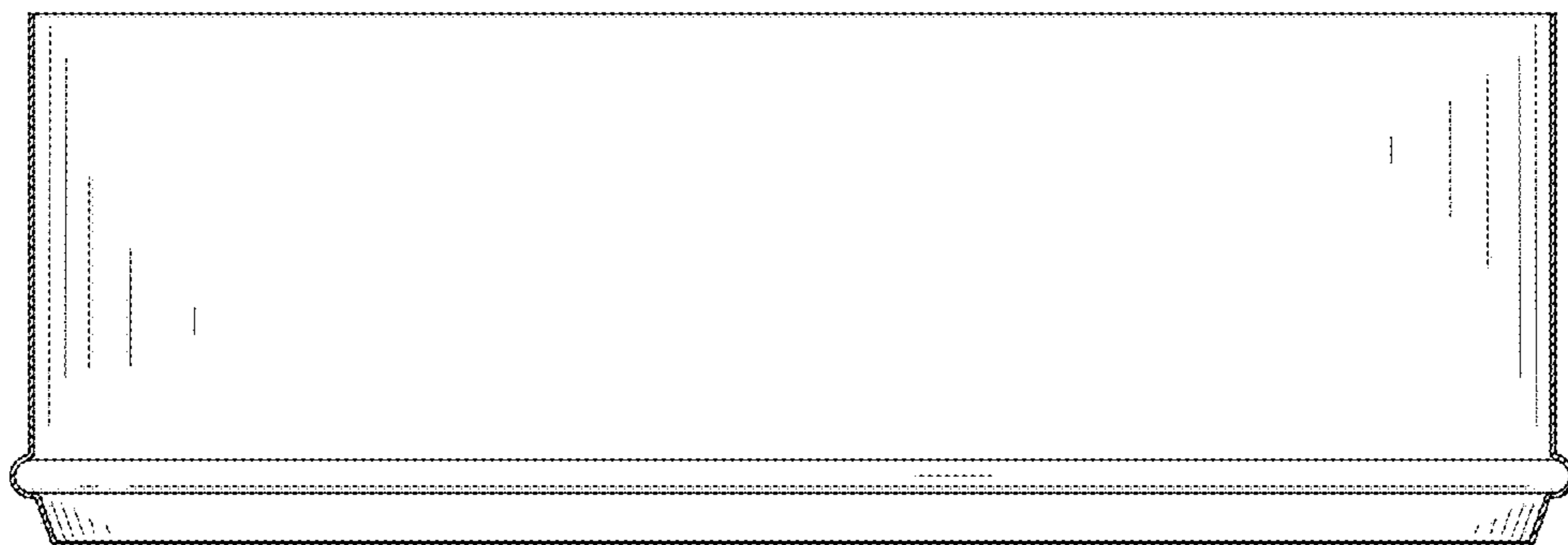


FIG. 5

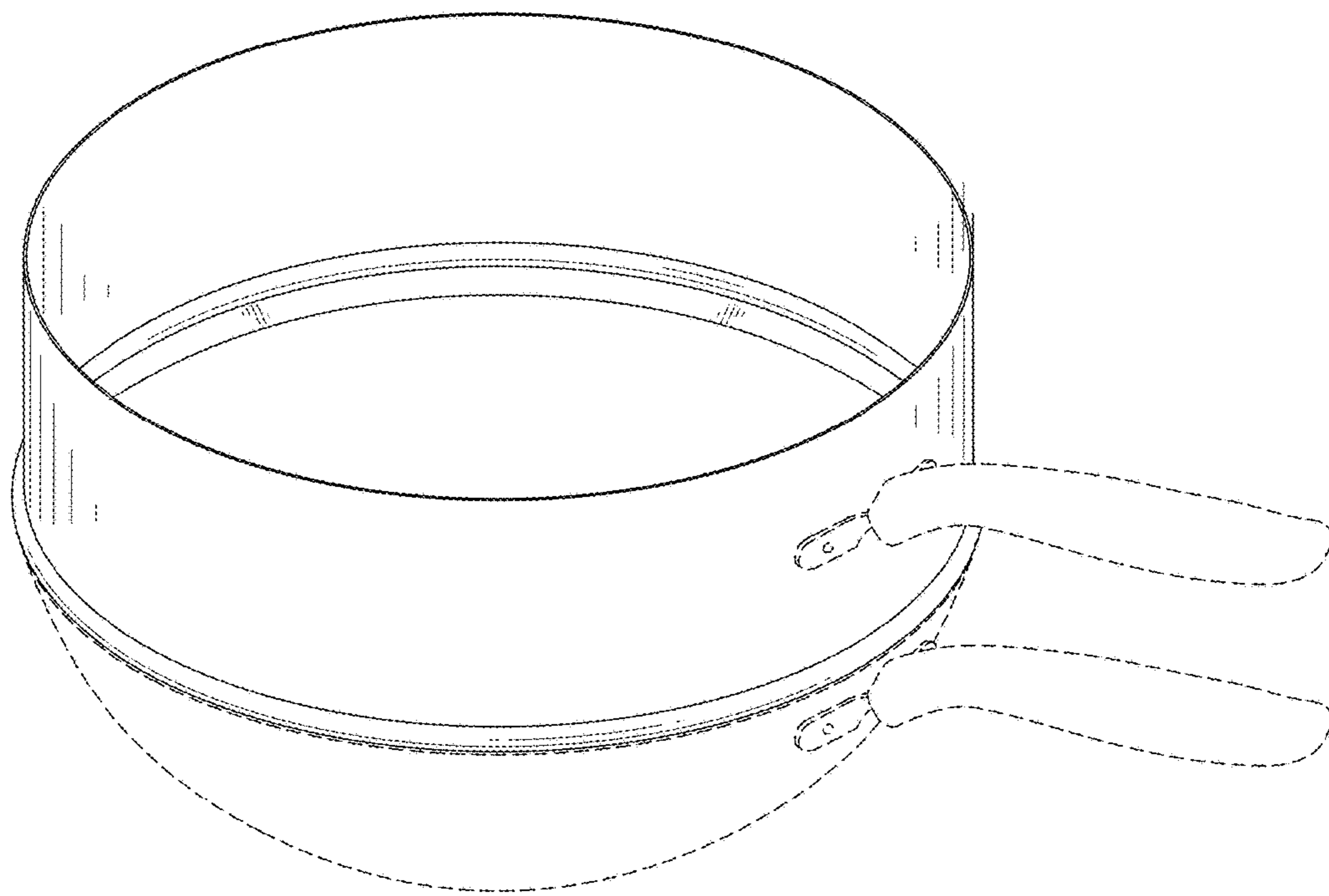


FIG. 6

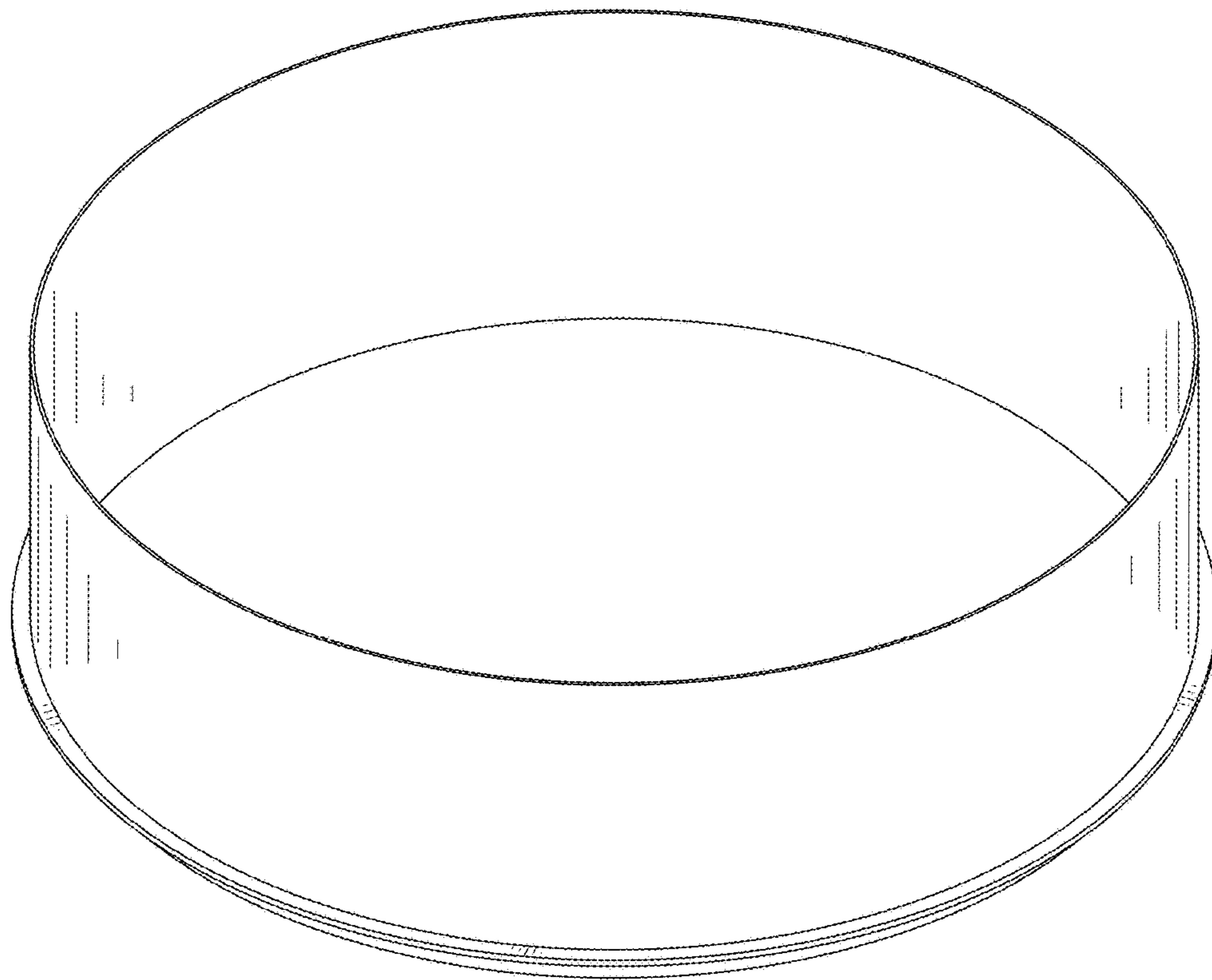


FIG. 7

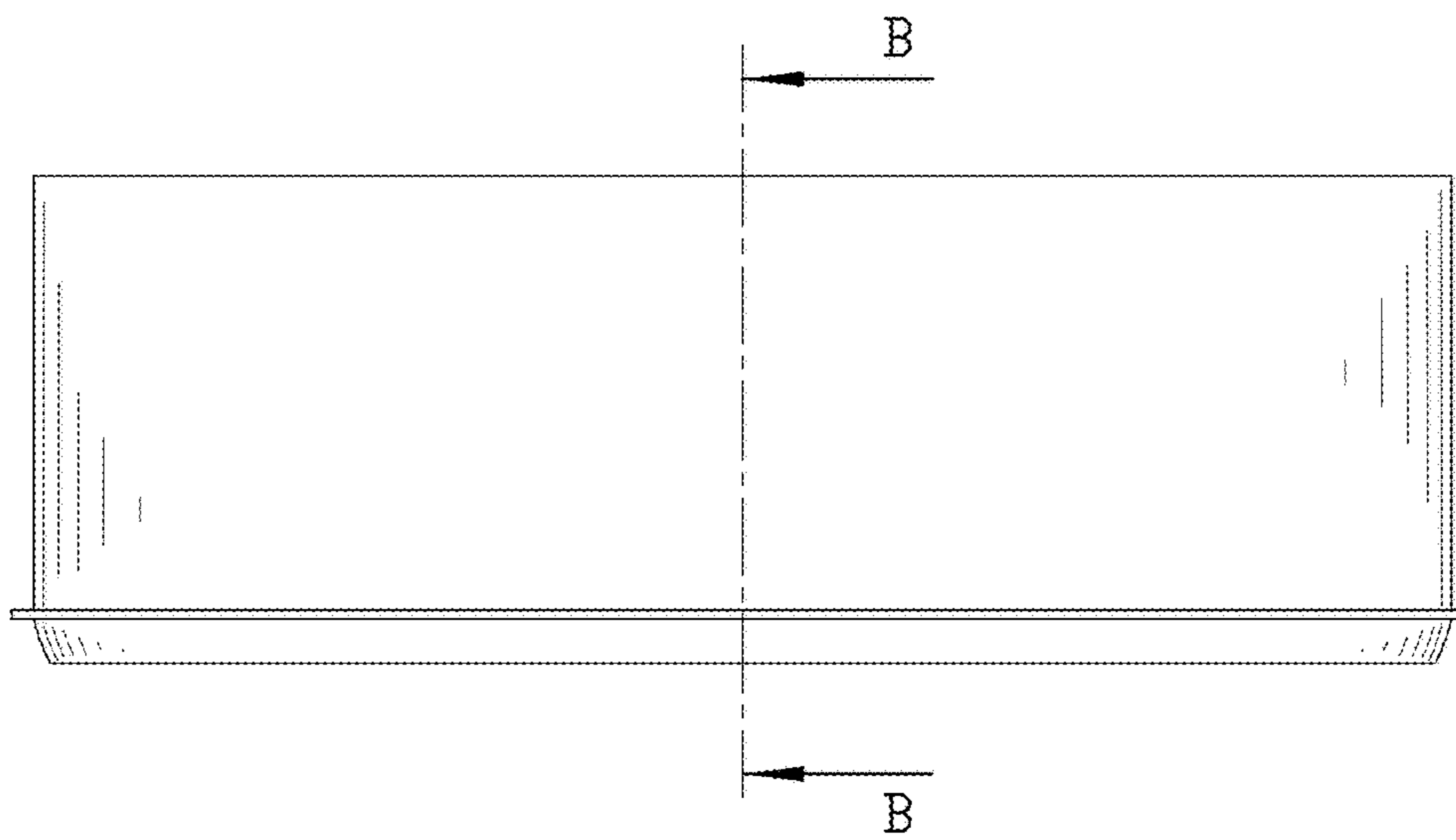


FIG. 8

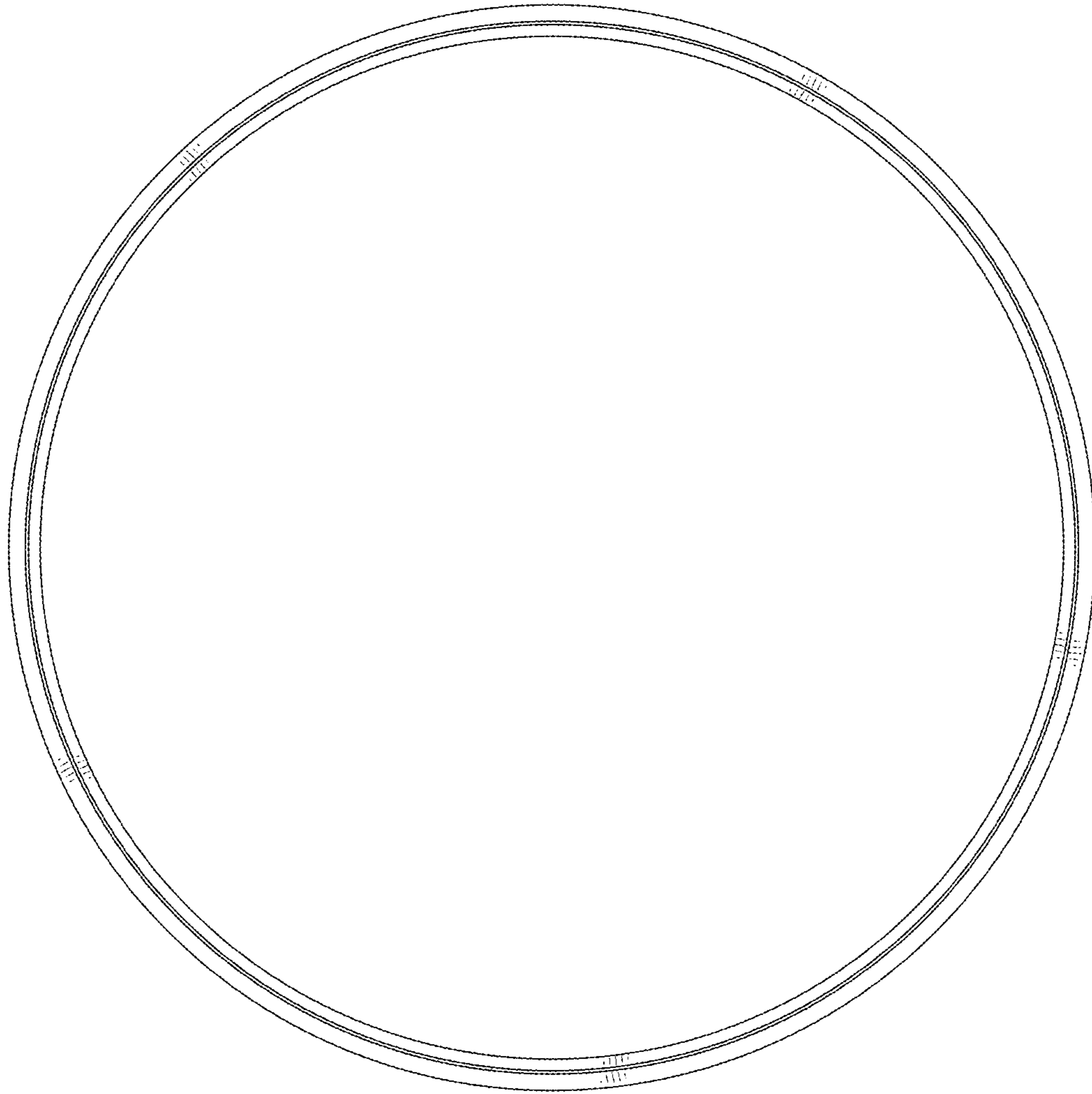


FIG. 9

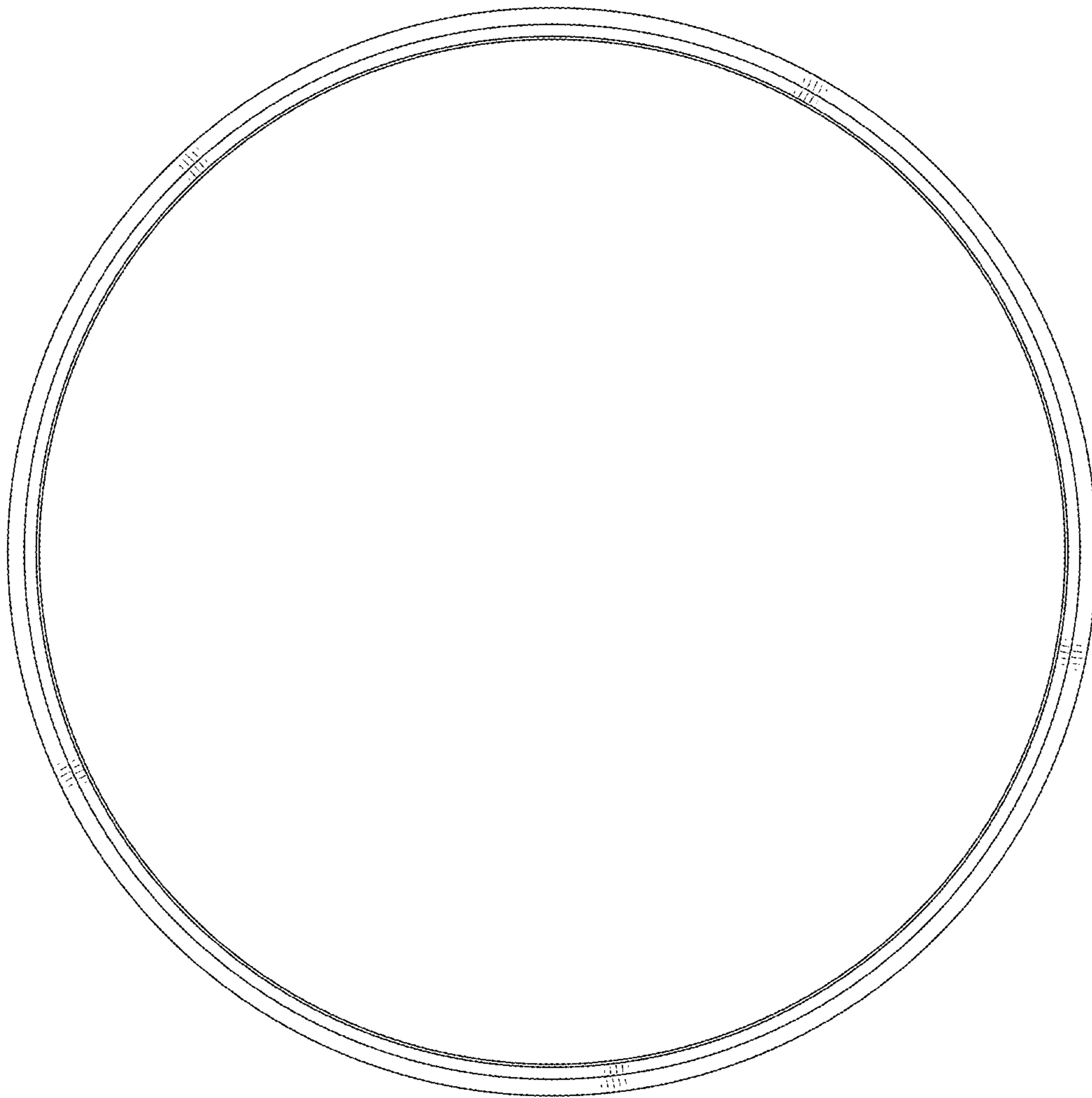


FIG. 10

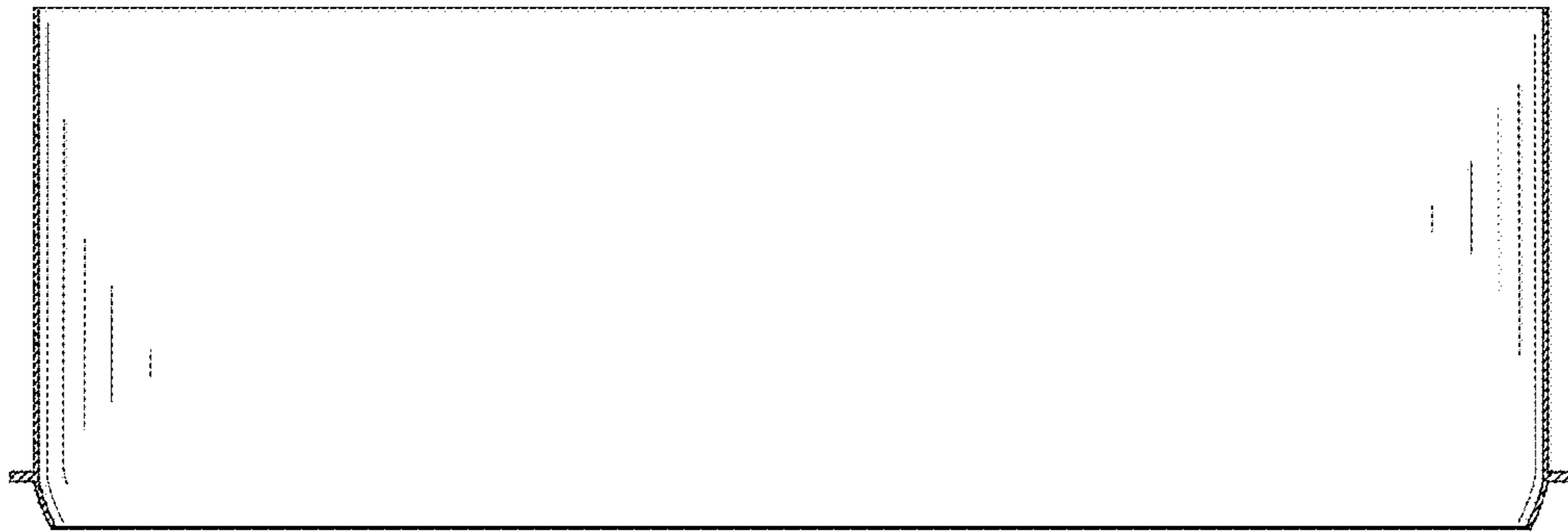


FIG. 11

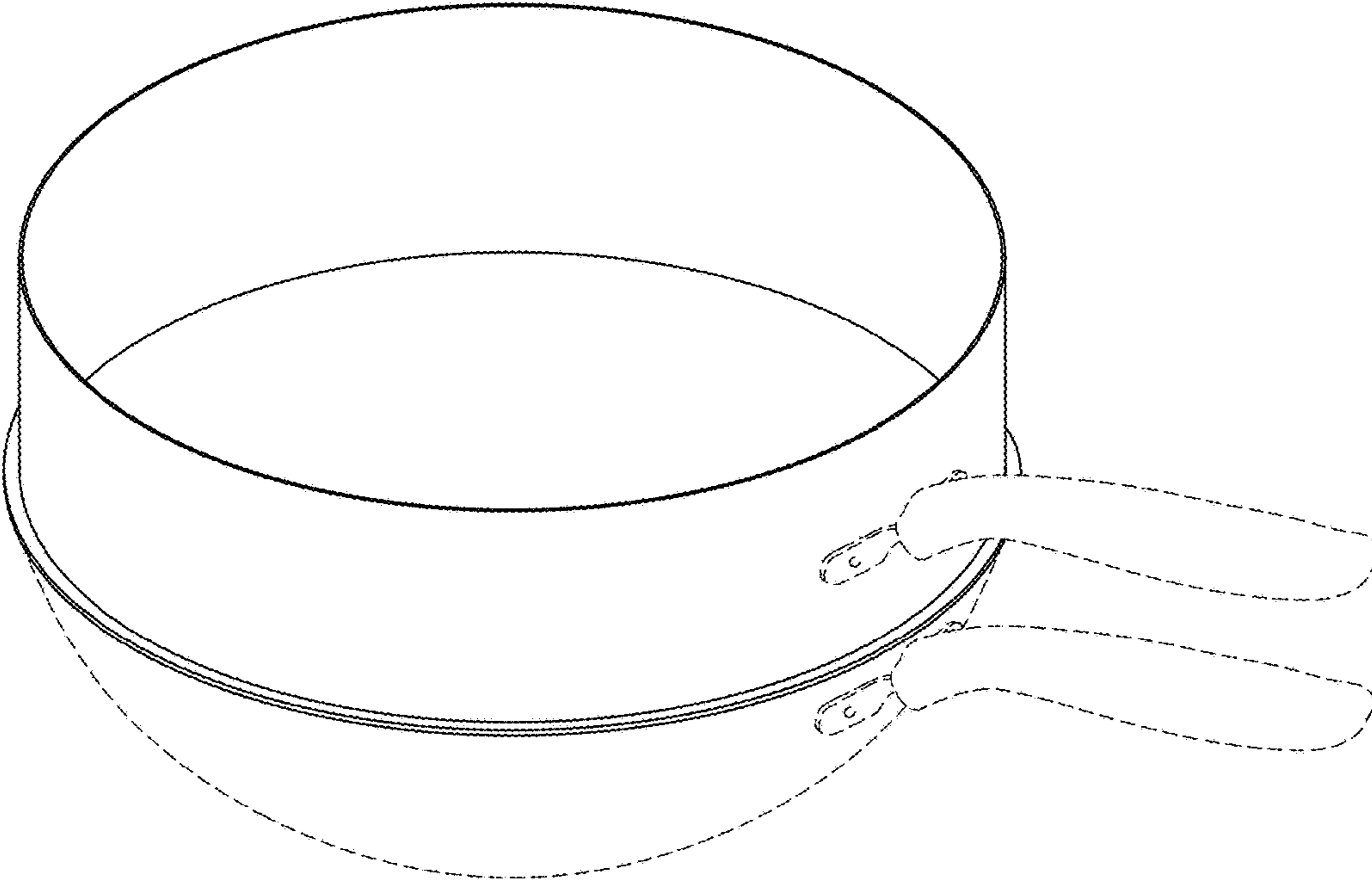


FIG. 12