



US00D822432S

(12) **United States Design Patent** (10) **Patent No.:** **US D822,432 S**  
**Ma** (45) **Date of Patent:** **\*\* Jul. 10, 2018**

(54) **SPLATTERING FENDER FOR FRYPAN**

(71) Applicant: **Shenzhen Seefaa Scitech Co., Ltd.**,  
Shenzhen (CN)

(72) Inventor: **Zhigang Ma**, Northville, MI (US)

(73) Assignee: **SHENZHEN SEEFAA SCITECH CO., LTD.**, Shenzhen (CN)

(\*\*) Term: **15 Years**

(21) Appl. No.: **29/601,509**

(22) Filed: **Apr. 24, 2017**

(30) **Foreign Application Priority Data**

Nov. 16, 2016 (CN) ..... 2016 3 0557217

(51) **LOC (11) Cl.** ..... **07-02**

(52) **U.S. Cl.**  
USPC ..... **D7/402; D7/669**

(58) **Field of Classification Search**  
USPC ..... D7/323, 354, 368, 669  
CPC ..... A47J 37/108; A47J 37/101; A47J 36/022;  
A47J 36/06; F16B 45/00; F24C 15/12  
See application file for complete search history.

(56) **References Cited**

**U.S. PATENT DOCUMENTS**

- 5,979,428 A \* 11/1999 Greene, Jr. .... F24C 15/28  
126/38
- D420,864 S \* 2/2000 Kenney ..... D7/667
- 6,698,336 B1 \* 3/2004 Siegel ..... A21B 3/137  
220/573.1
- 6,866,035 B2 \* 3/2005 Haemerle ..... F24C 15/12  
126/214 D
- 7,967,003 B2 \* 6/2011 Lindsly ..... A47J 33/00  
126/25 R

- 9,784,302 B2 \* 10/2017 Reiner ..... F16B 45/00
- 2003/0230298 A1 \* 12/2003 Klarich ..... F24C 15/36  
126/9 R
- 2006/0027575 A1 \* 2/2006 Lombardo ..... A47J 27/56  
220/4.03
- 2009/0321459 A1 \* 12/2009 Maczko ..... A47J 37/101  
220/731

\* cited by examiner

*Primary Examiner* — Terry A Wallace

(74) *Attorney, Agent, or Firm* — Hemisphere Law, PLLC

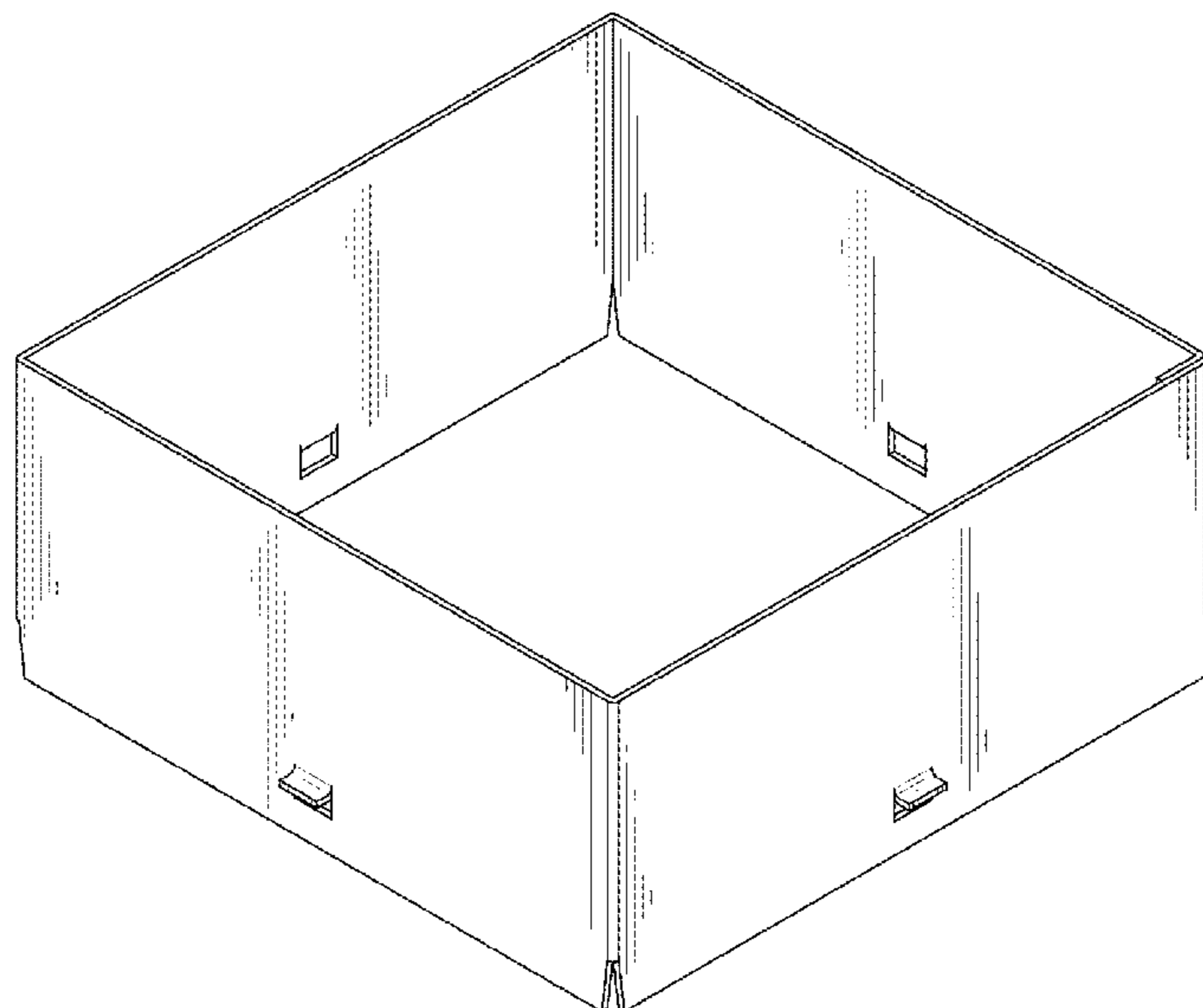
(57) **CLAIM**

The ornamental design for a splattering fender for frypan, as shown and described.

**DESCRIPTION**

FIG. 1 is a perspective view of a splattering fender for frypan, showing the new design;  
 FIG. 2 is a front view of the splattering fender for frypan of FIG. 1;  
 FIG. 3 is a rear view of the splattering fender for frypan of FIG. 1;  
 FIG. 4 is a left side view of the splattering fender for frypan of FIG. 1;  
 FIG. 5 is a right side view of the splattering fender for frypan of FIG. 1;  
 FIG. 6 is a top plan view of the splattering fender for frypan of FIG. 1;  
 FIG. 7 is a bottom plan view of the splattering fender for frypan of FIG. 1;  
 FIG. 8 is a top plan view of the splattering fender for frypan of FIG. 1, in a flattened configuration; and,  
 FIG. 9 is a perspective view of the splattering fender for frypan of FIG. 1 in use with cookware.  
 The broken lines are employed to show environmental structure the splattering fender for frypan might be used with, and form no part of the claimed design.

**1 Claim, 7 Drawing Sheets**



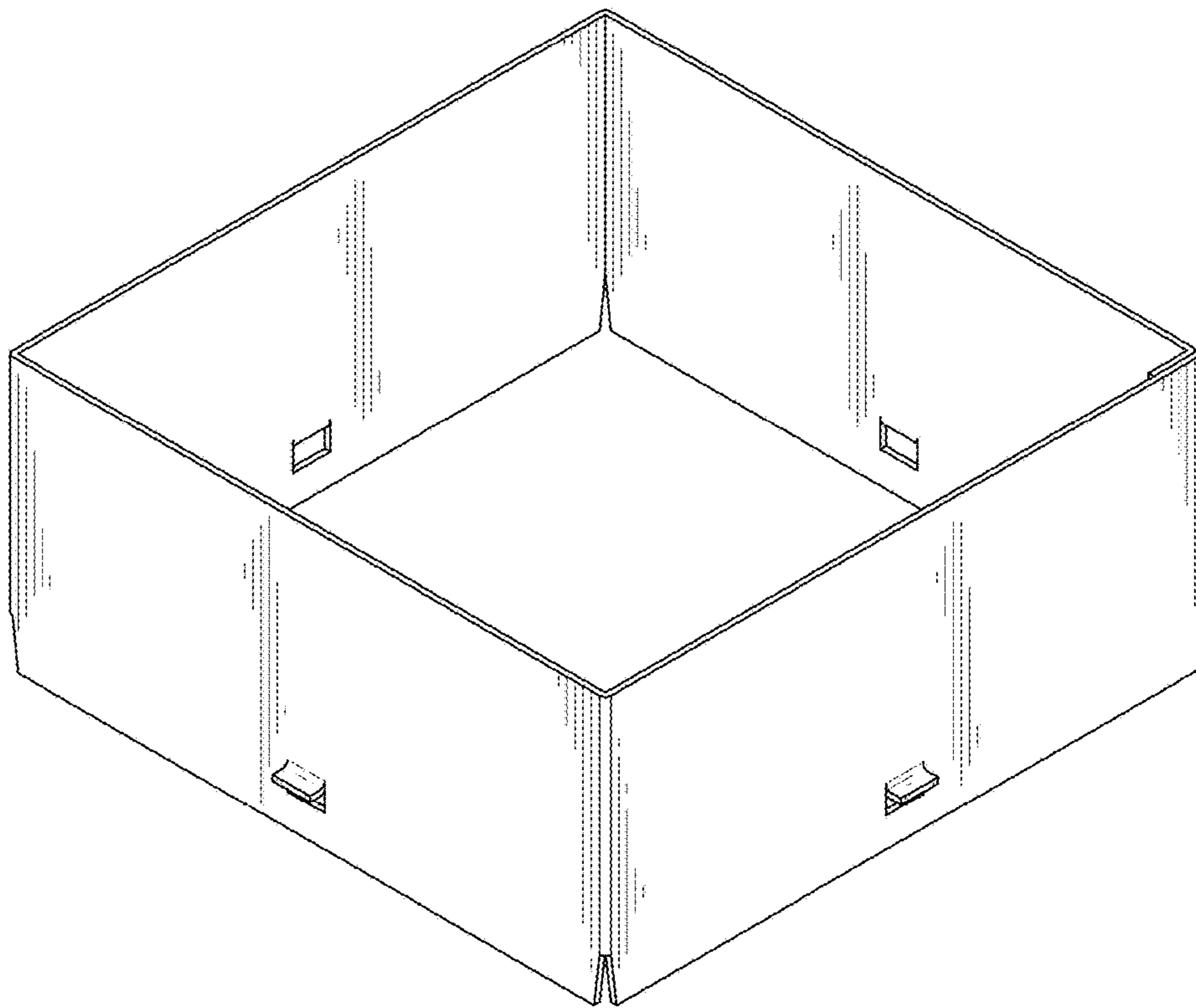


FIG. 1

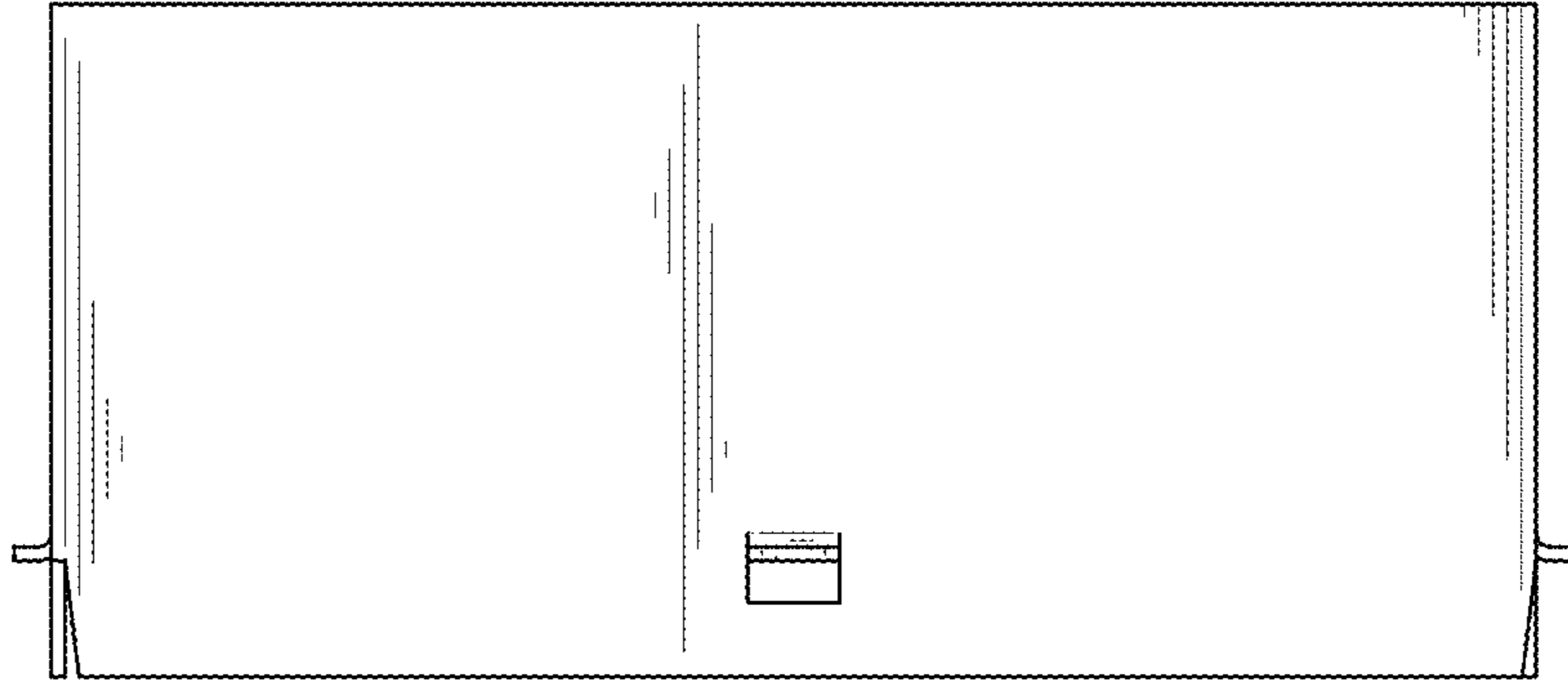


FIG. 2

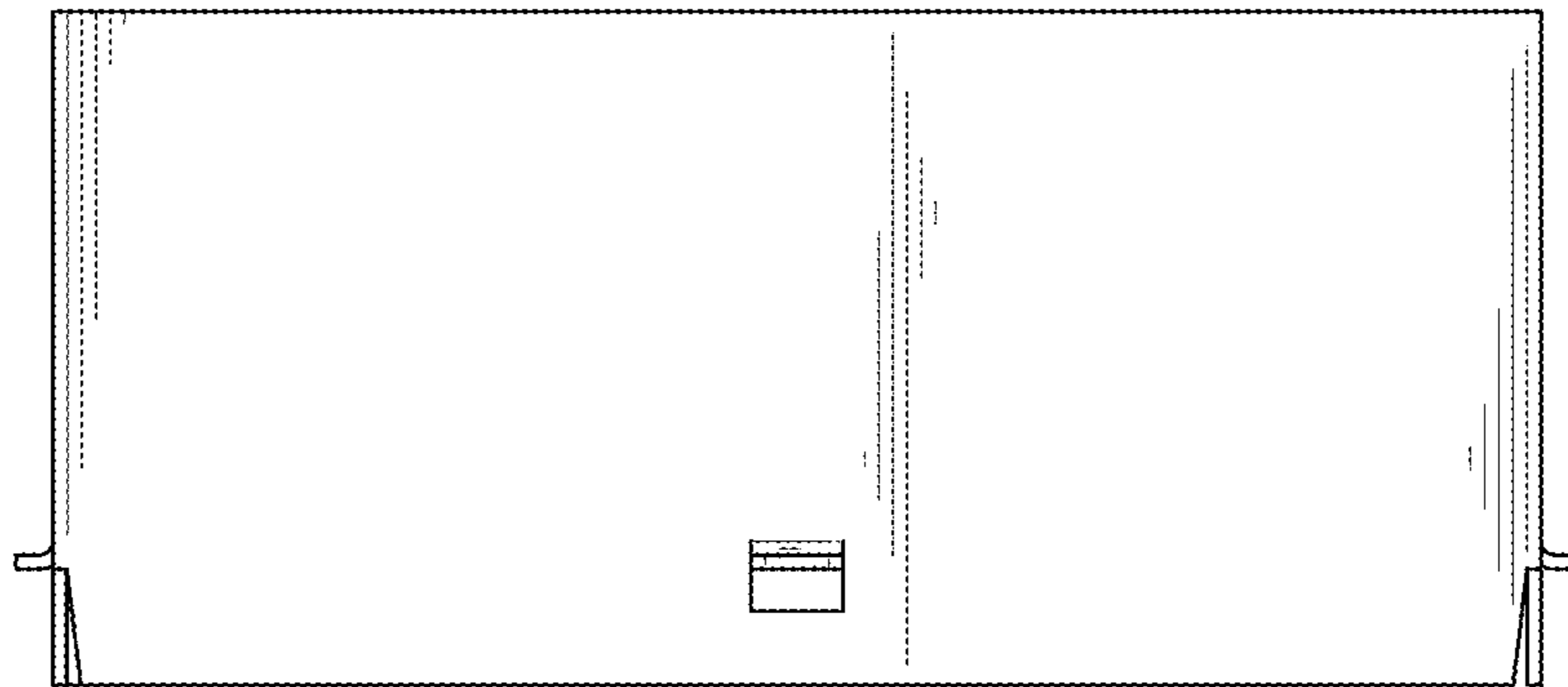


FIG. 3

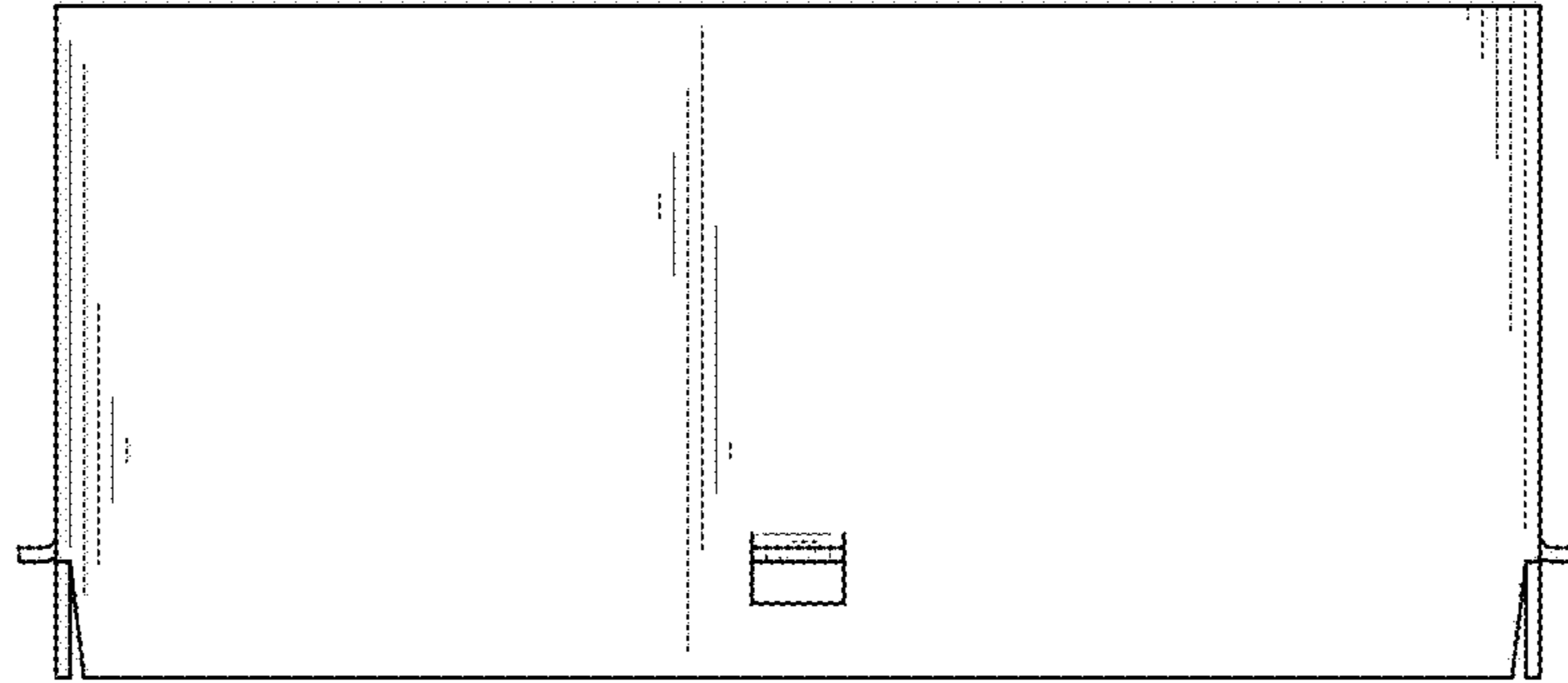


FIG. 4

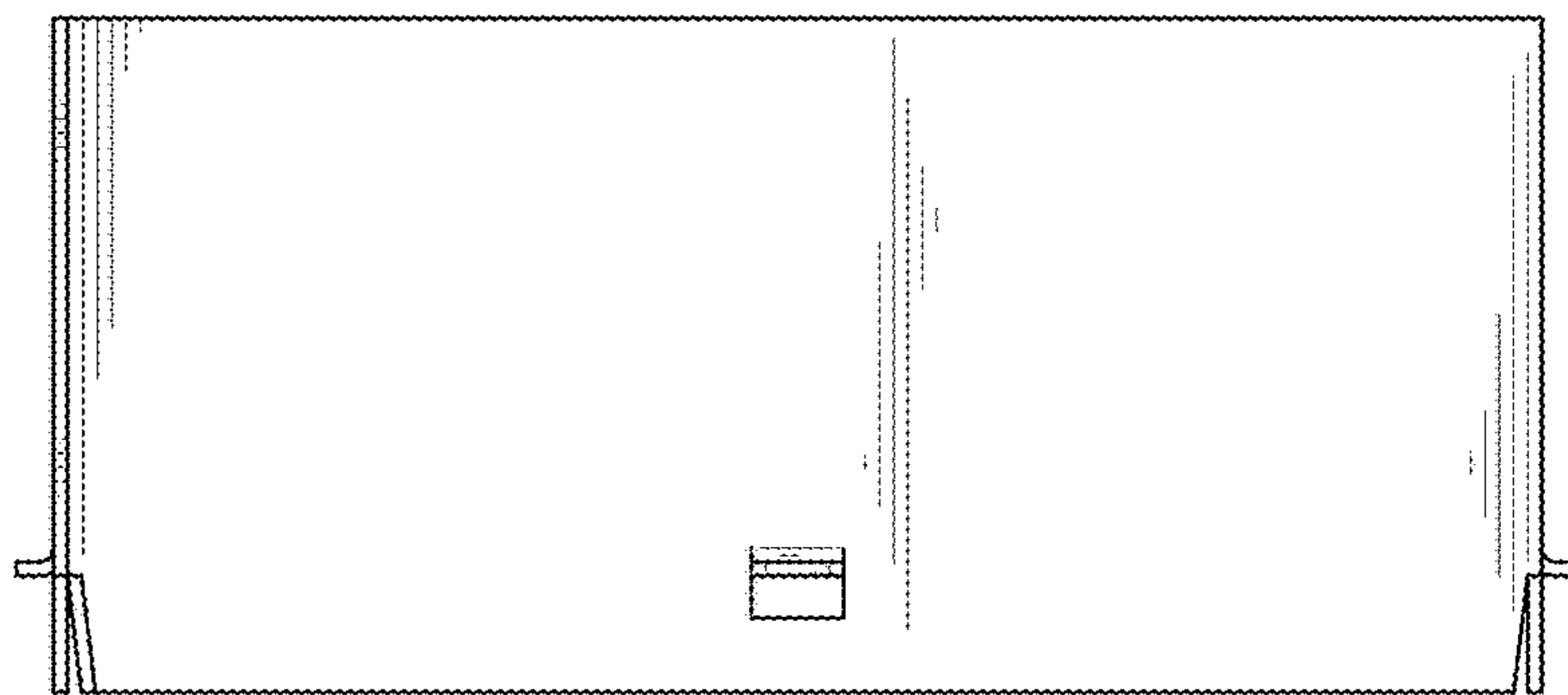


FIG. 5

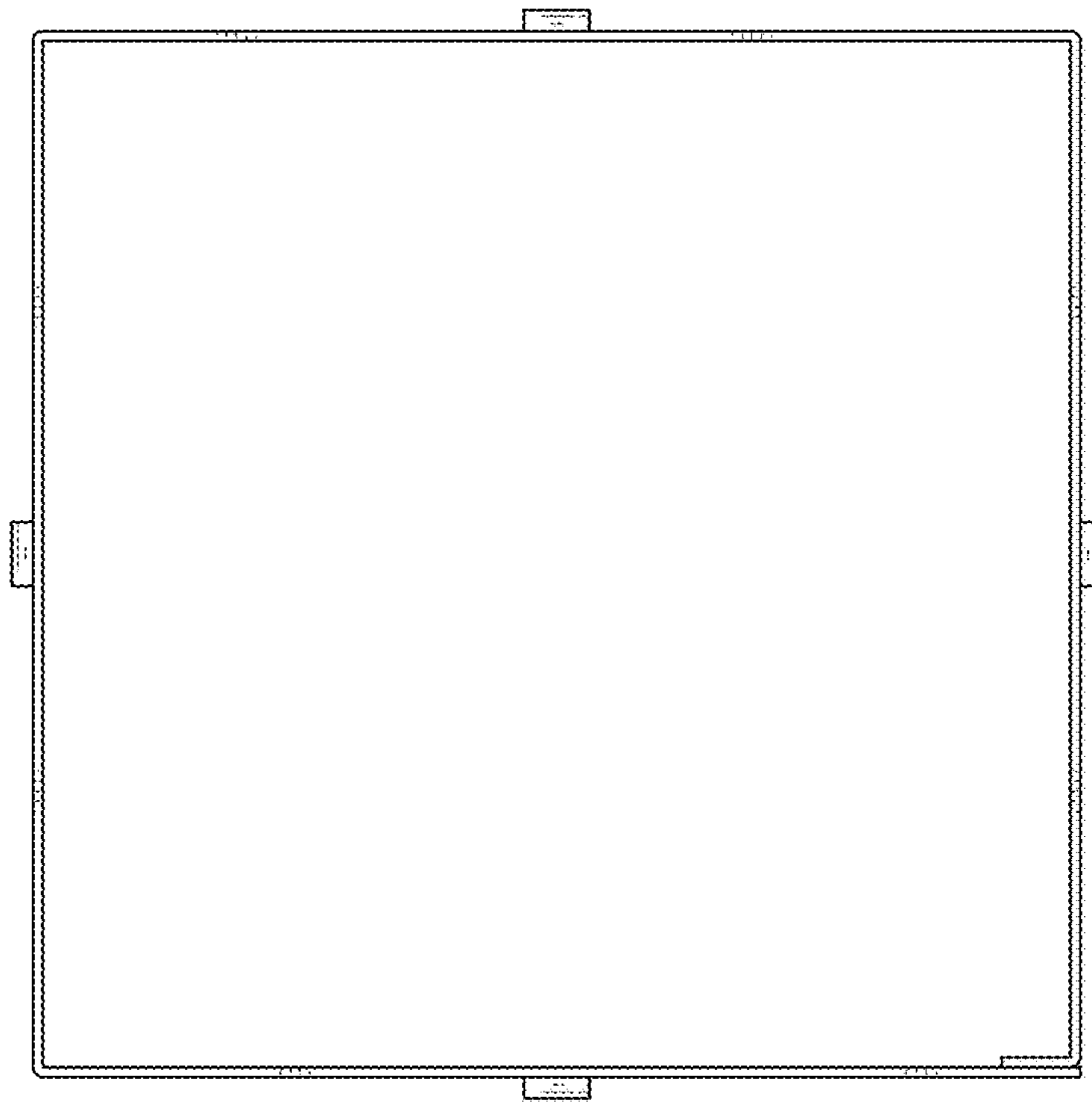


FIG. 6

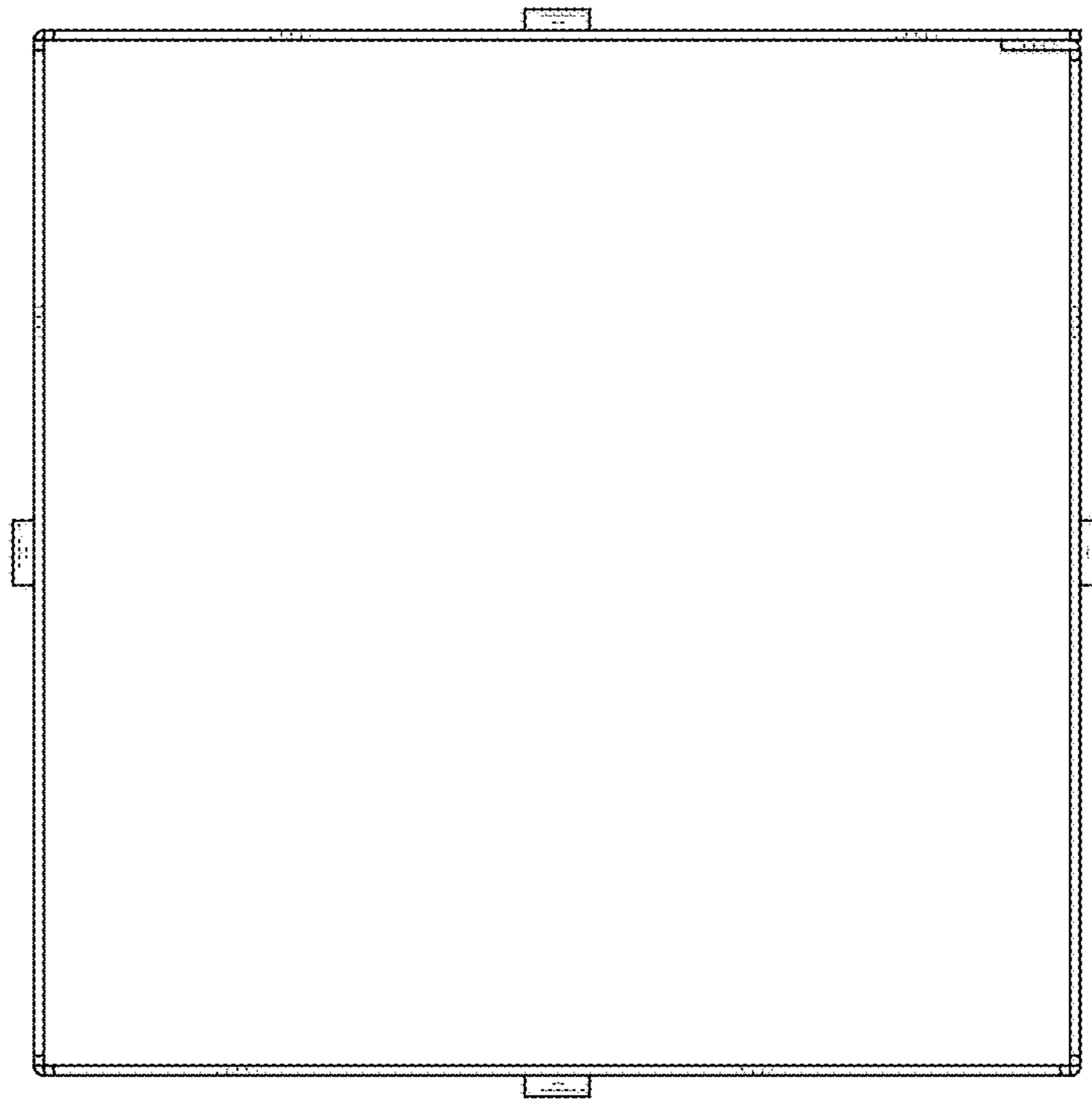


FIG. 7

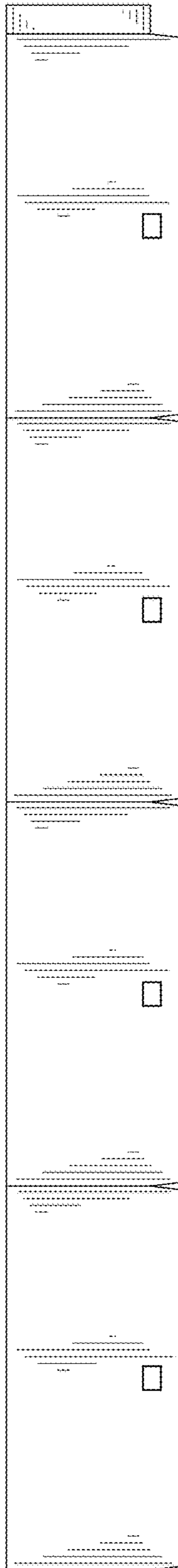


FIG. 8

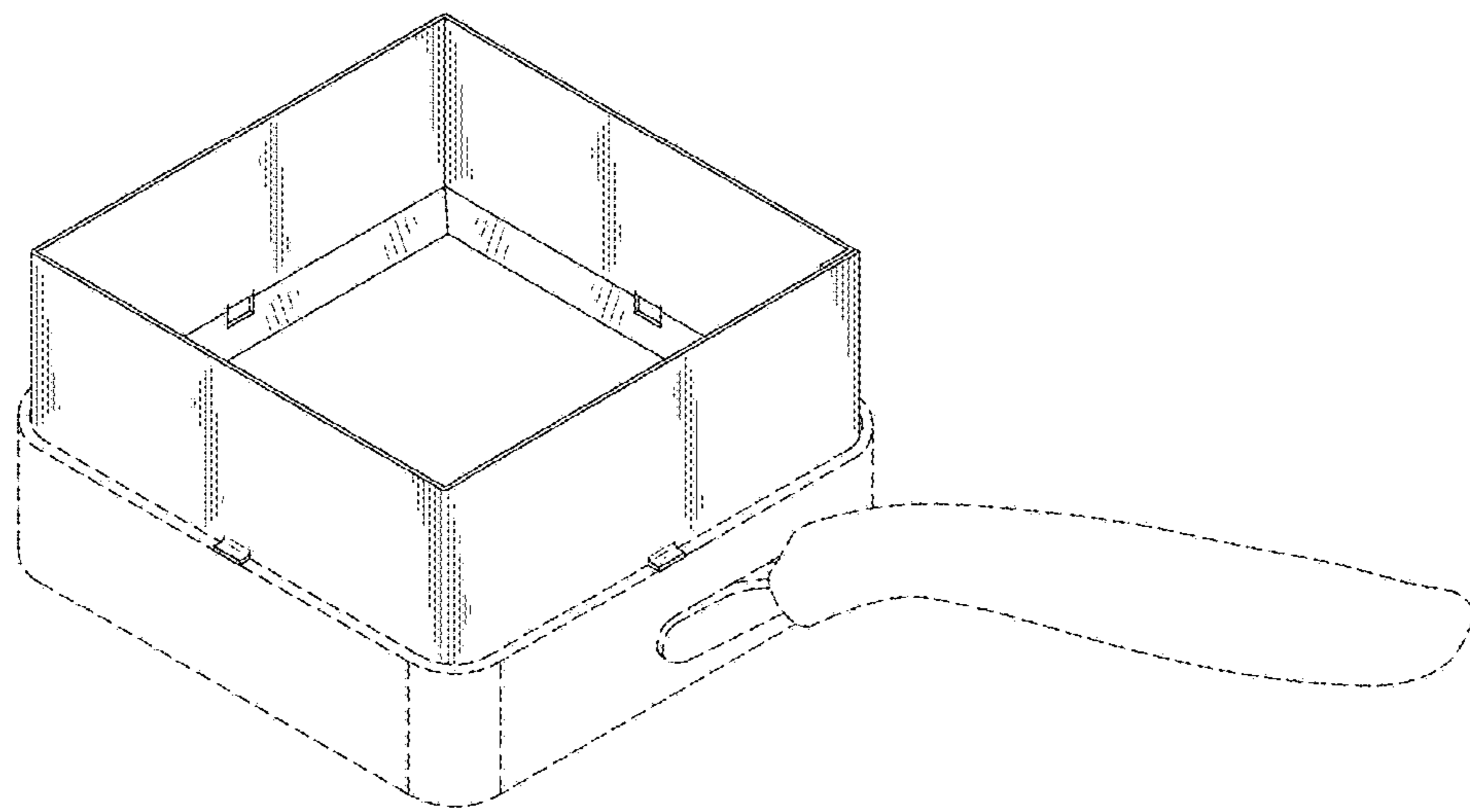


FIG. 9