



US00D822430S

(12) **United States Design Patent**
Hansen et al.

(10) **Patent No.: US D822,430 S**
(45) **Date of Patent: ** Jul. 10, 2018**

(54) **COFFEE CAPSULE**

(71) Applicant: **KONINKLIJKE DOUWE EGBERTS B.V.**, Amsterdam (NL)

(72) Inventors: **Nicholas Hansen**, Banbury (GB);
Ricard Barri Valentines, Amsterdam (NL)

(73) Assignee: **Koninklijke Douwe Egberts B.V.**, Amsterdam (NL)

(**) Term: **15 Years**

(21) Appl. No.: **35/502,458**

(22) Filed: **Dec. 6, 2016**

(80) **Hague Agreement Data**

Int. Filing Date: **Dec. 6, 2016**
Int. Reg. No.: **DM/094581**
Int. Reg. Date: **Dec. 6, 2016**
Int. Reg. Pub. Date: **Feb. 17, 2017**

(30) **Foreign Application Priority Data**

Jun. 8, 2016 (EM) 003180454-0001
Jun. 8, 2016 (EM) 003180454-0002

(51) **LOC (11) Cl.** **07-99**

(52) **U.S. Cl.**
USPC **D7/400; D9/429**

(58) **Field of Classification Search**
USPC D9/424, 425, 428, 429; D7/399, 400, D7/540, 542; D1/199
CPC B31B 3/00; B65D 85/8043; B65D 51/28; B65B 7/16
See application file for complete search history.

(56) **References Cited**

U.S. PATENT DOCUMENTS

D606,363	S	*	12/2009	Aardenburg	D7/400
D716,648	S	*	11/2014	Tan	D9/416
D766,078	S	*	9/2016	Hansen	D9/416
D770,286	S	*	11/2016	Trombetta	D9/503
D796,898	S	*	9/2017	Robotti	D7/400
D797,503	S	*	9/2017	Robotti	D7/400
D808,797	S	*	1/2018	Rippin	D9/429
2011/0212225	A1	*	9/2011	Mariller	B65D 85/8043 426/80

* cited by examiner

Primary Examiner — Keli L Hill

(74) *Attorney, Agent, or Firm* — Swanson & Bratschun, L.L.C.

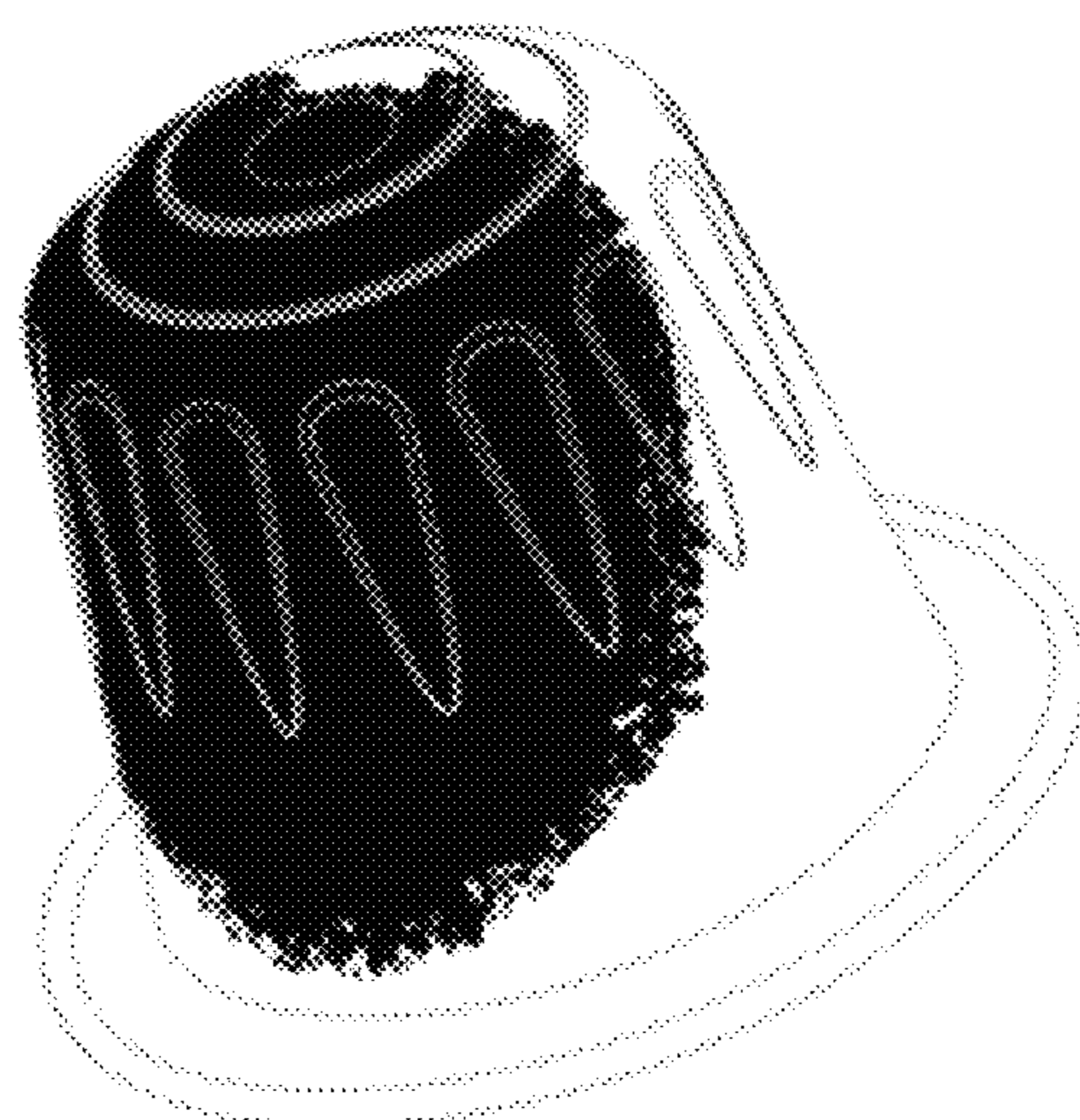
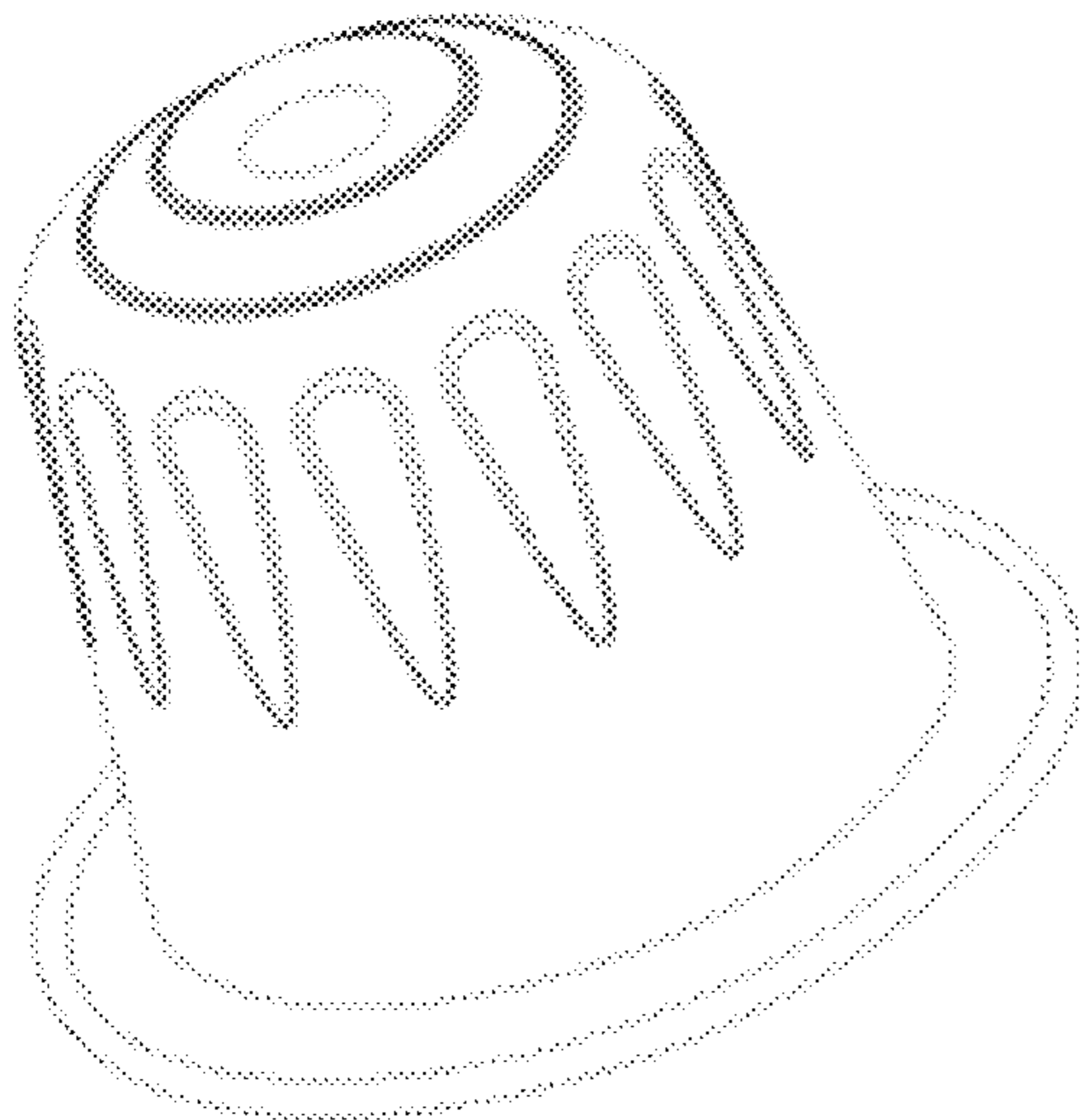
(57) **CLAIM**

The ornamental design for a coffee capsule, as shown and described.

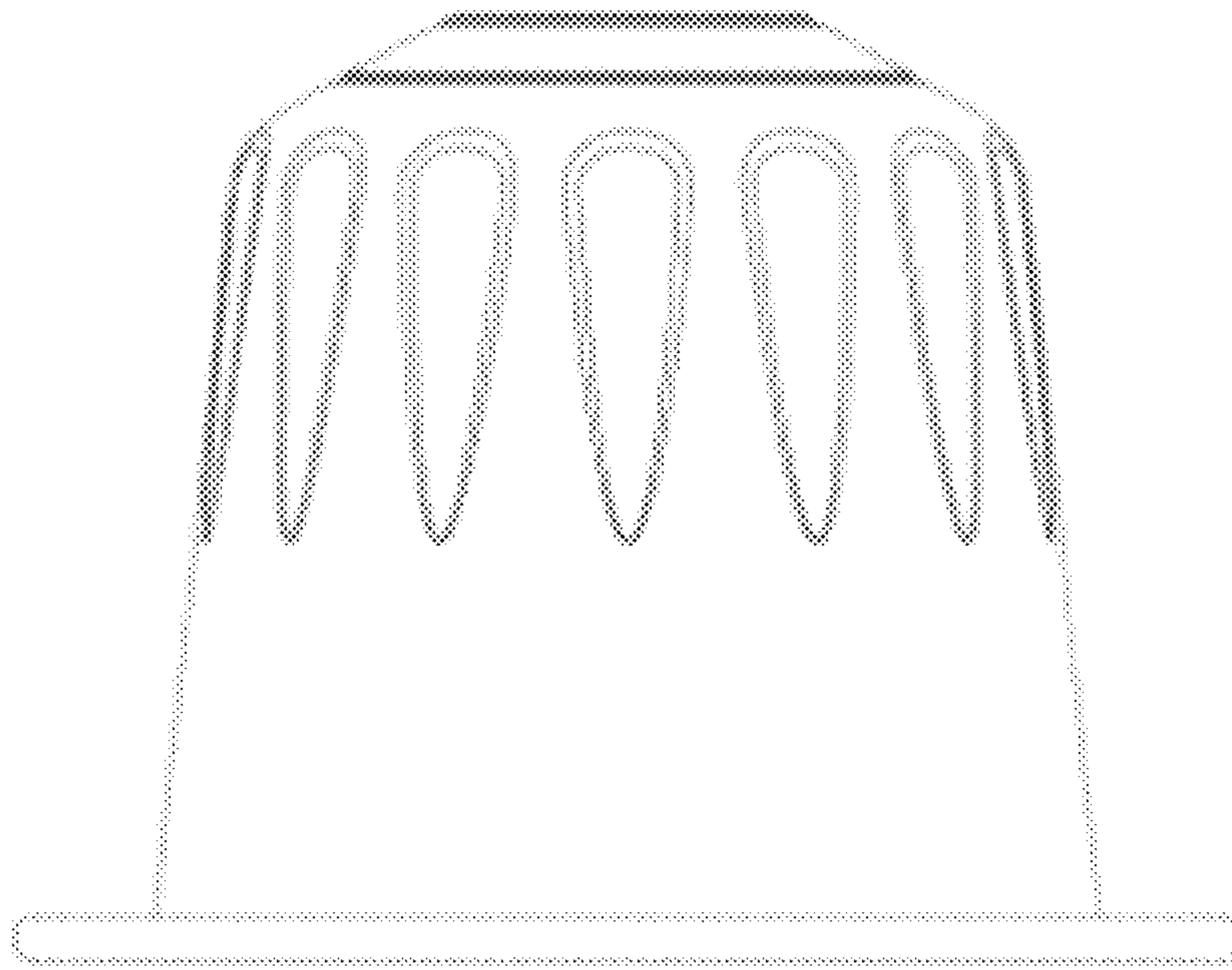
DESCRIPTION

- 1.-2. Coffee capsule
- 1.1 is a first side elevation view of a first embodiment of a coffee capsule showing our new design;
- 1.2 is a second side elevation view thereof;
- 1.3 is a top plan view thereof;
- 1.4 is a perspective view thereof;
- 2.1 is a left side elevation view of a second embodiment of a coffee capsule showing our new design;
- 2.2 is a front elevation view thereof;
- 2.3 is a top plan view thereof; and
- 2.4 is a perspective view thereof.

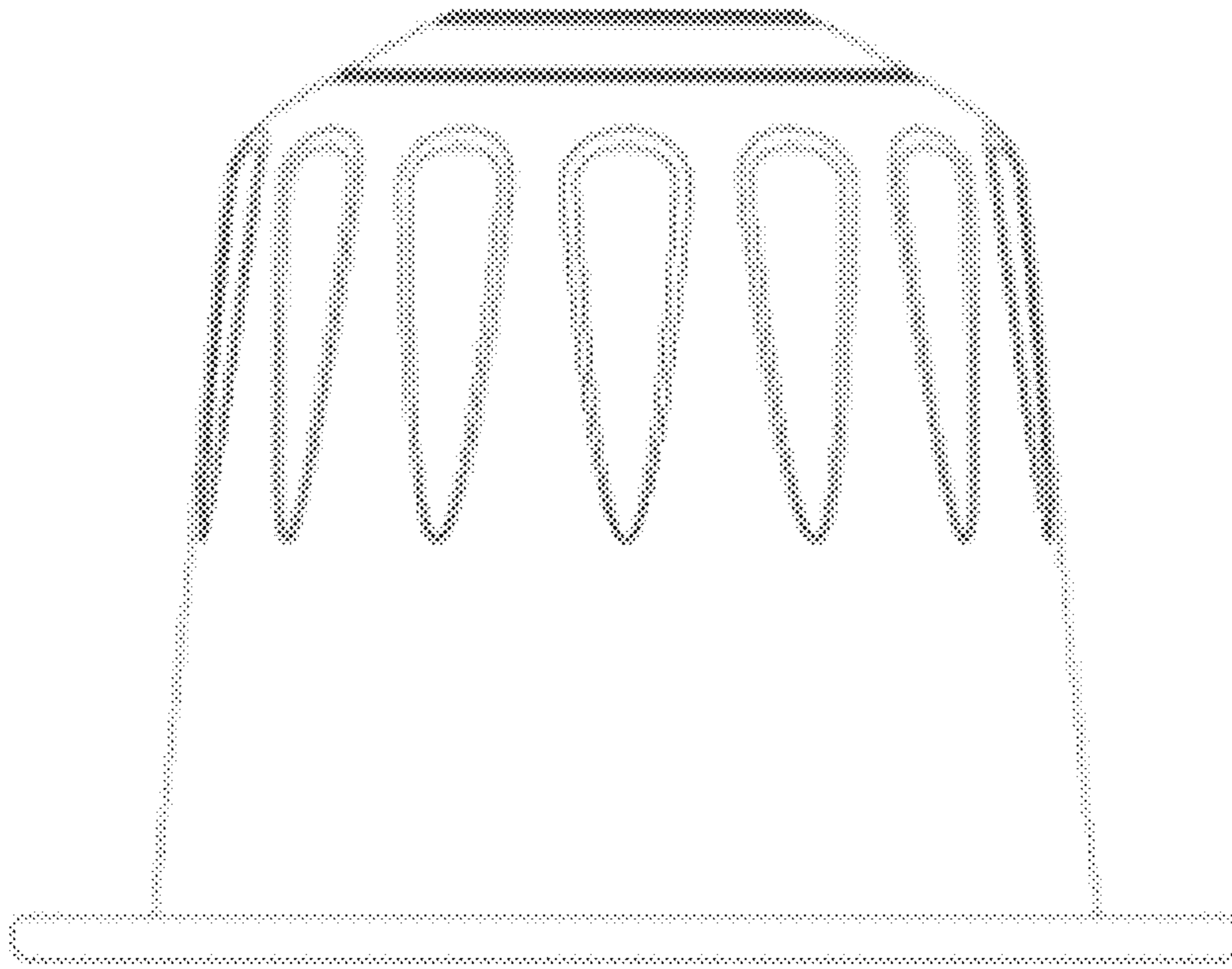
1 Claim, 8 Drawing Sheets



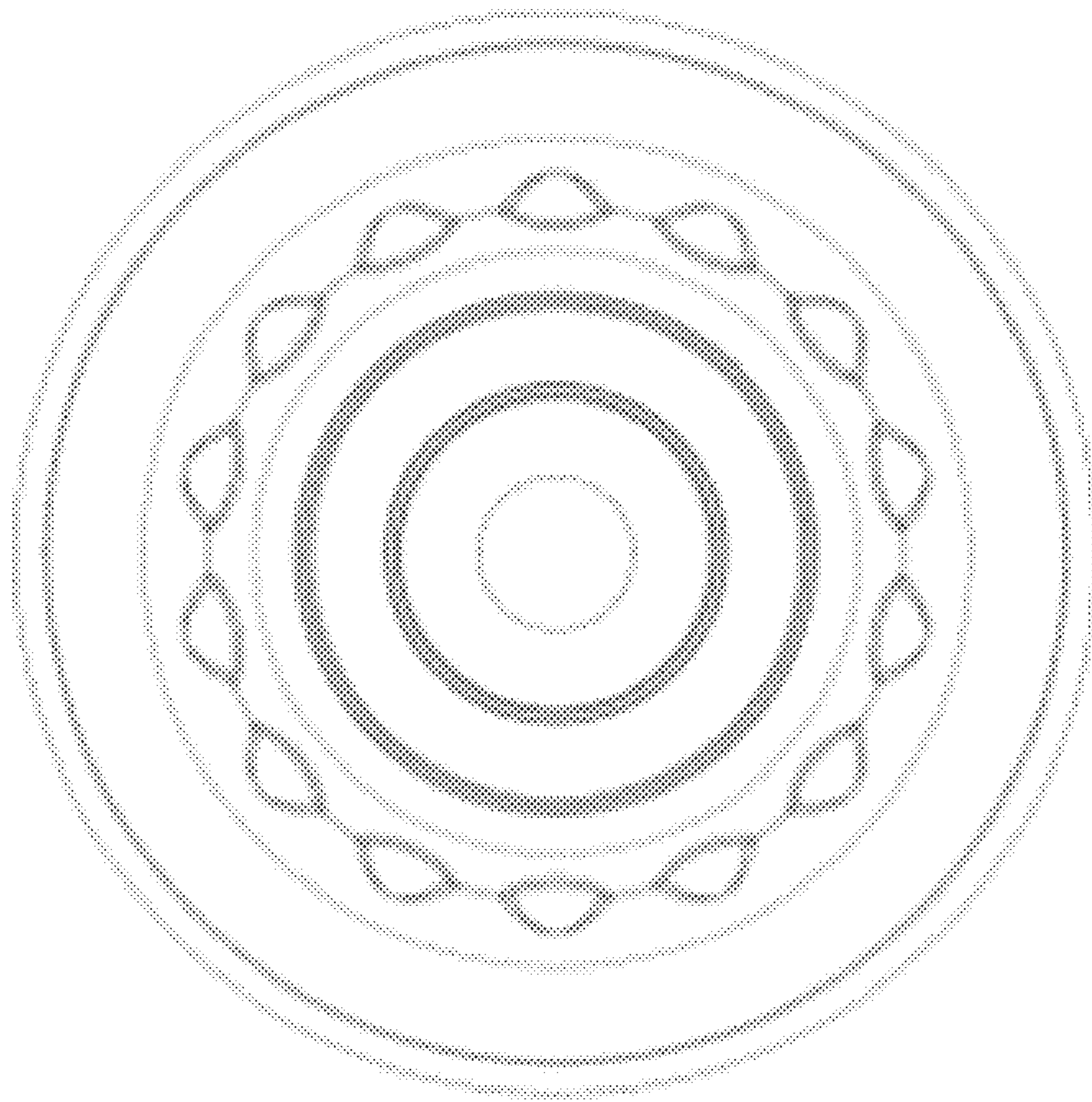
1.1



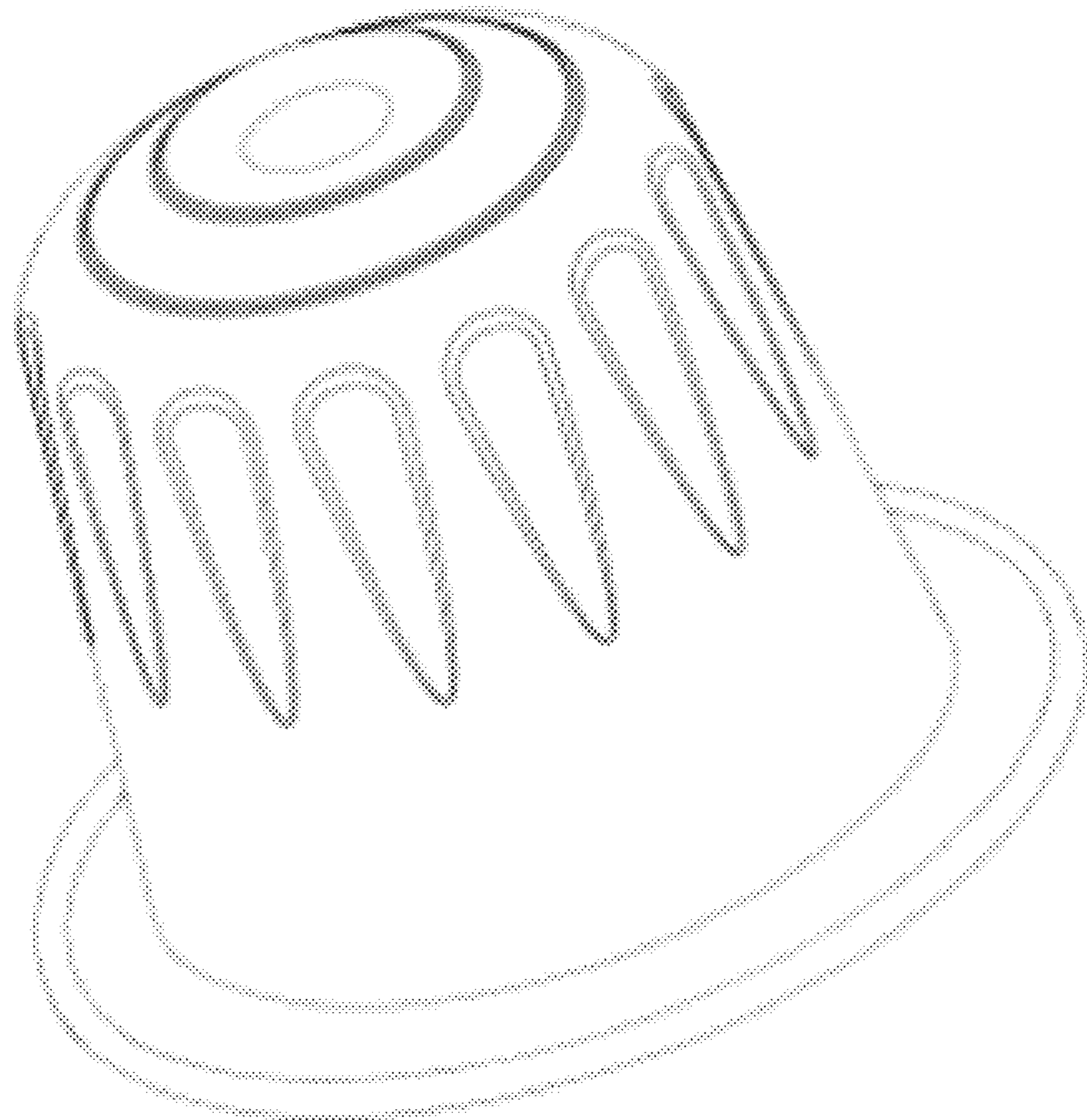
1.2



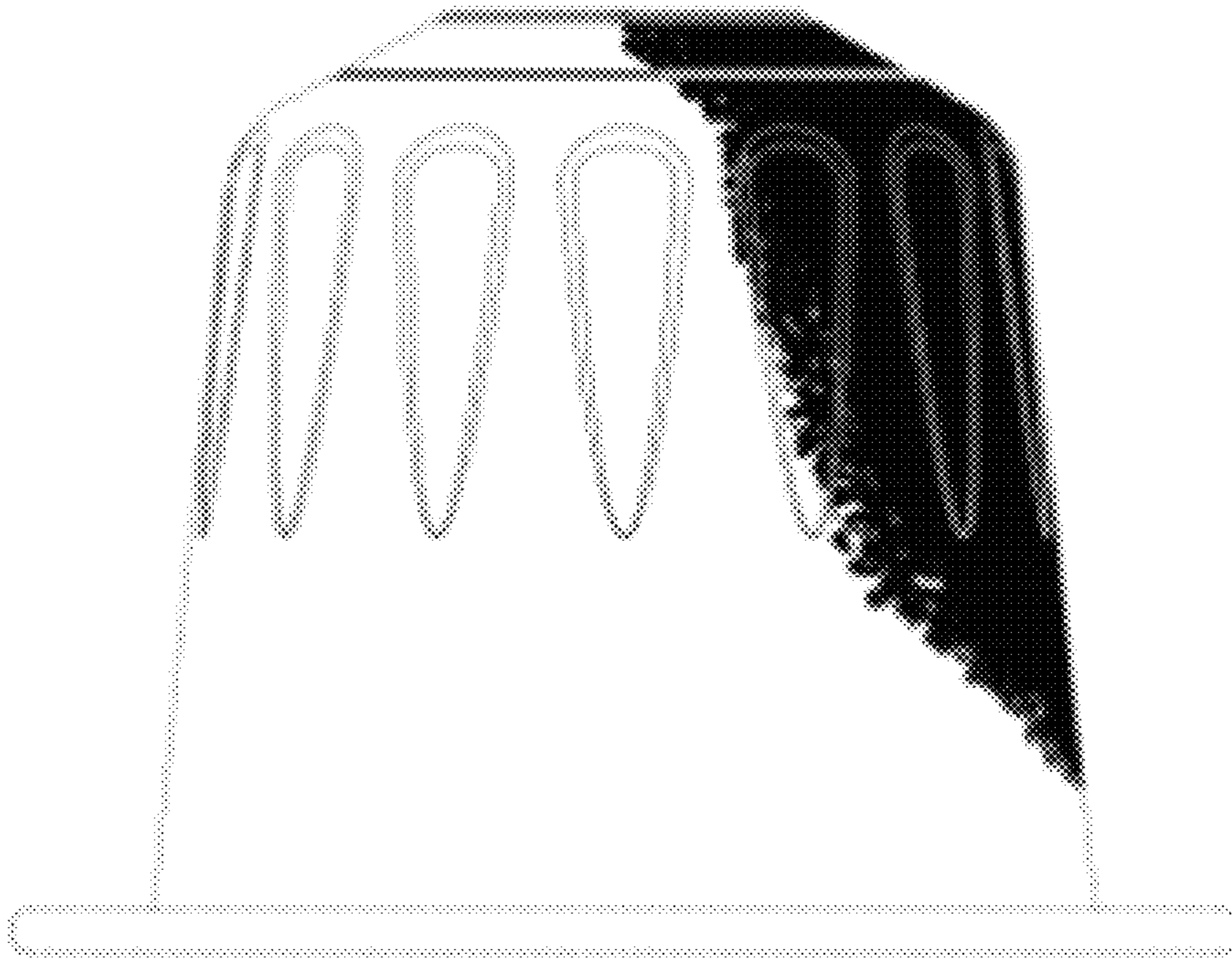
1.3



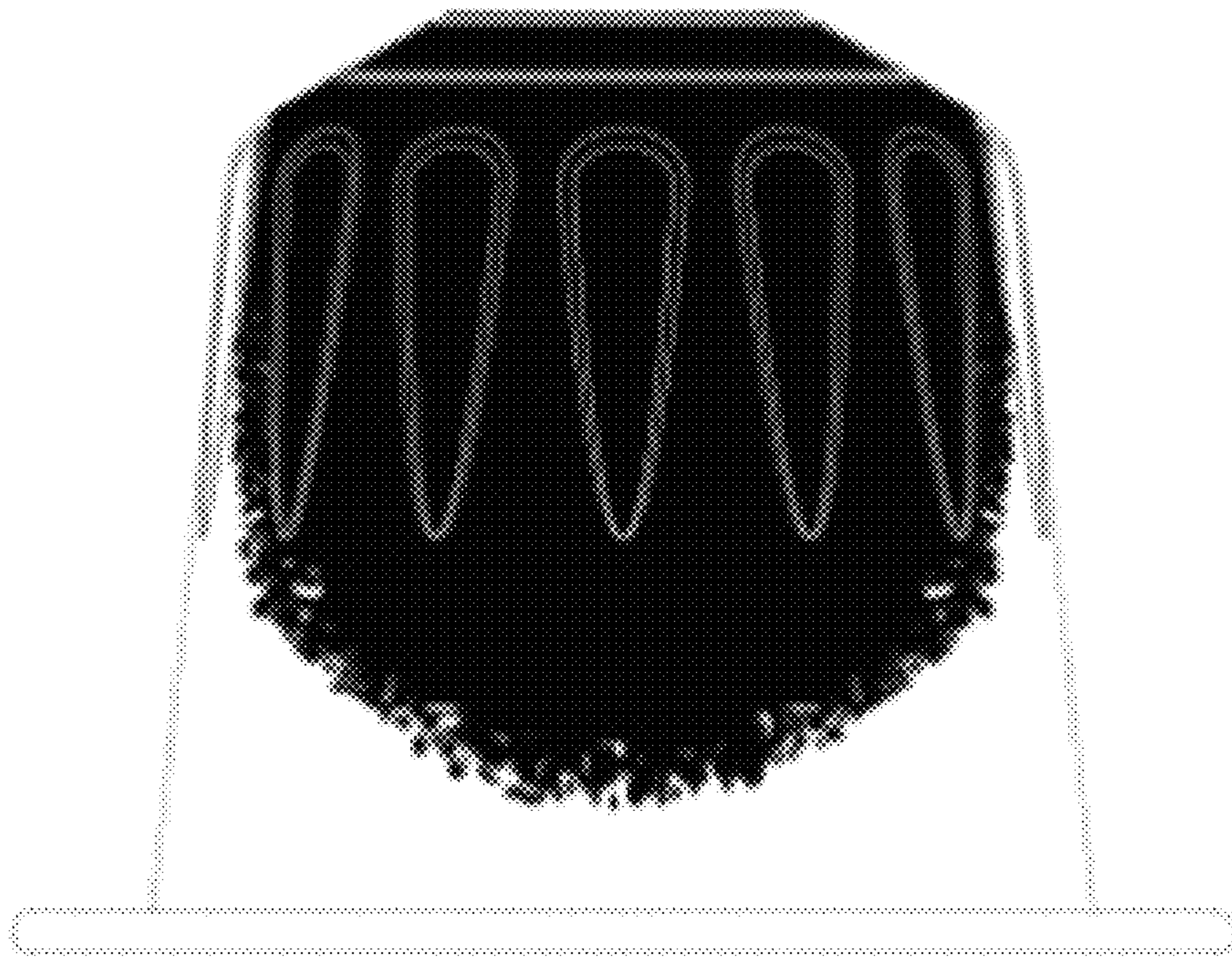
1.4



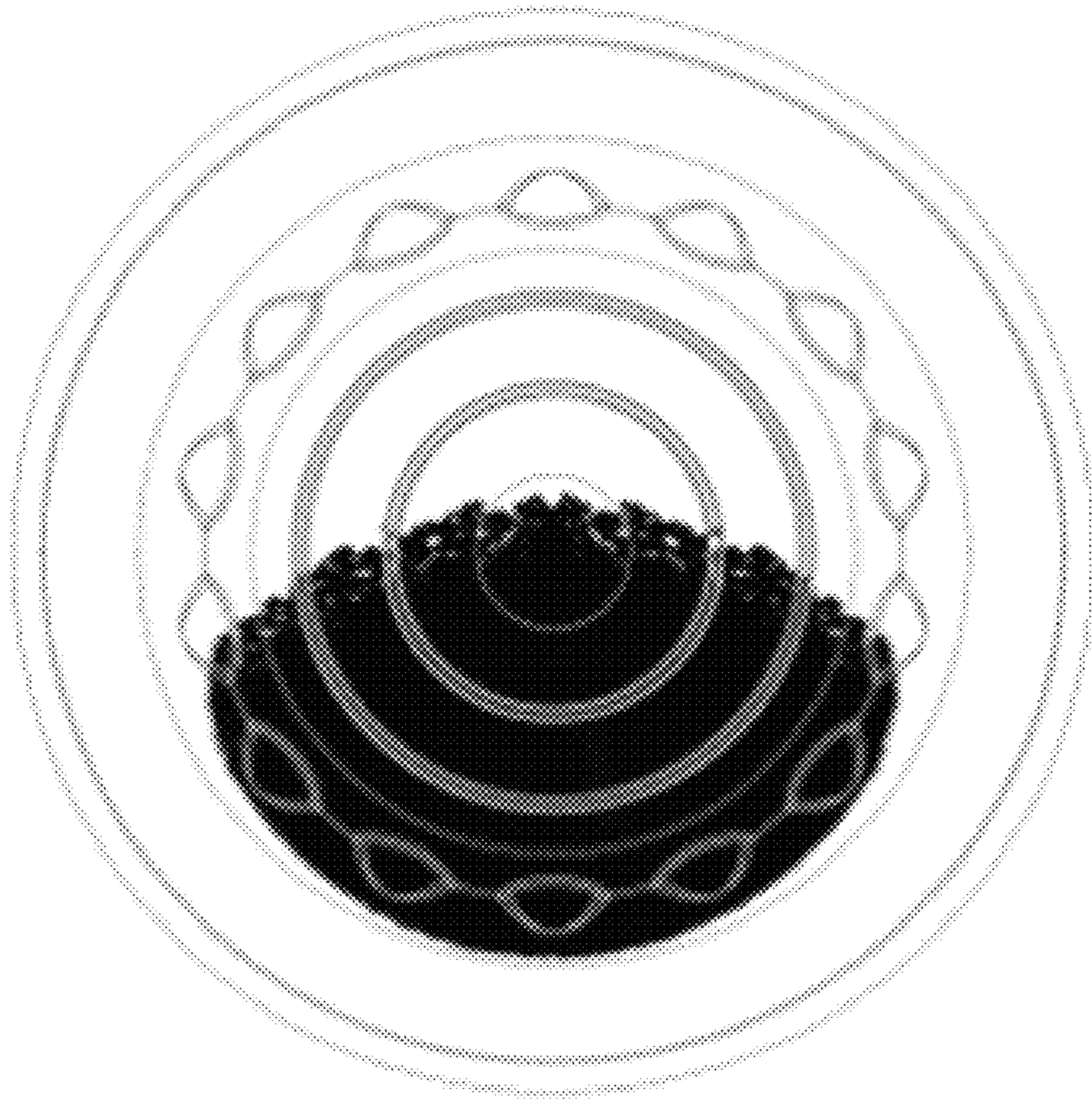
2.1



2.2



2.3



2.4

