



US00D822429S

(12) **United States Design Patent**  
**Washburn**

(10) **Patent No.:** **US D822,429 S**  
(45) **Date of Patent:** **\*\* Jul. 10, 2018**

(54) **LID FOR BEVERAGE CONTAINER**  
(71) Applicant: **IGNITE USA, LLC**, Chicago, IL (US)  
(72) Inventor: **Bryan Washburn**, Chicago, IL (US)  
(73) Assignee: **IGNITE USA, LLC**, Chicago, IL (US)  
(\*\*) Term: **15 Years**

D747,136 S 1/2016 Lane et al.  
D748,943 S 2/2016 Miller et al.  
D770,222 S 11/2016 Boroski et al.  
D771,990 S 11/2016 Horowitz  
D772,022 S 11/2016 Cornu et al.  
(Continued)

(21) Appl. No.: **29/590,474**  
(22) Filed: **Jan. 10, 2017**  
(51) **LOC (11) Cl.** ..... **07-99**  
(52) **U.S. Cl.**  
USPC ..... **D7/396.2; D7/387; D7/900**  
(58) **Field of Classification Search**  
USPC ..... D7/387, 396.1, 396.2, 397, 398, 510,  
D7/511, 608, 300.1, 591, 529, 533-536;  
D9/503, 504, 434, 443  
CPC ..... A47G 19/22; A47G 19/2205; A45F 3/16;  
B65D 41/04; B65D 43/02  
See application file for complete search history.

**FOREIGN PATENT DOCUMENTS**

EM 003358092-002 8/2016

**OTHER PUBLICATIONS**

17 OZ. Recharge Autoseal® Travel Mug, downloaded from the Internet at: <http://www.avexoutdoor.com/17-oz-recharge-autoseal-stainless-steel-tumbler.html> (Jan. 10, 2016).  
(Continued)

*Primary Examiner* — Daniel D Bui  
*Assistant Examiner* — Andrew Kerr  
(74) *Attorney, Agent, or Firm* — Marshall, Gerstein & Borun LLP

(56) **References Cited**

**U.S. PATENT DOCUMENTS**

D564,841 S 3/2008 Clemens et al.  
D584,566 S 1/2009 Fuller  
7,546,933 B2 6/2009 Pinelli  
D609,964 S \* 2/2010 Lane ..... D7/392.1  
D649,879 S 12/2011 Gullickson et al.  
D651,847 S 1/2012 Gilbert  
D675,060 S \* 1/2013 Lane ..... D7/392.1  
D686,448 S 7/2013 Boroski  
8,727,176 B2 5/2014 El-Saden et al.  
8,839,983 B2 9/2014 Chiou et al.  
8,844,762 B2 9/2014 Chiou et al.  
8,863,979 B2 10/2014 El-Saden et al.  
D725,436 S \* 3/2015 Miller ..... D7/396.2  
D725,966 S \* 4/2015 Boroski ..... D7/511  
D730,694 S 6/2015 Elsaden et al.  
D739,183 S \* 9/2015 Lane ..... D7/605  
D740,605 S \* 10/2015 Wodka ..... D7/396.2

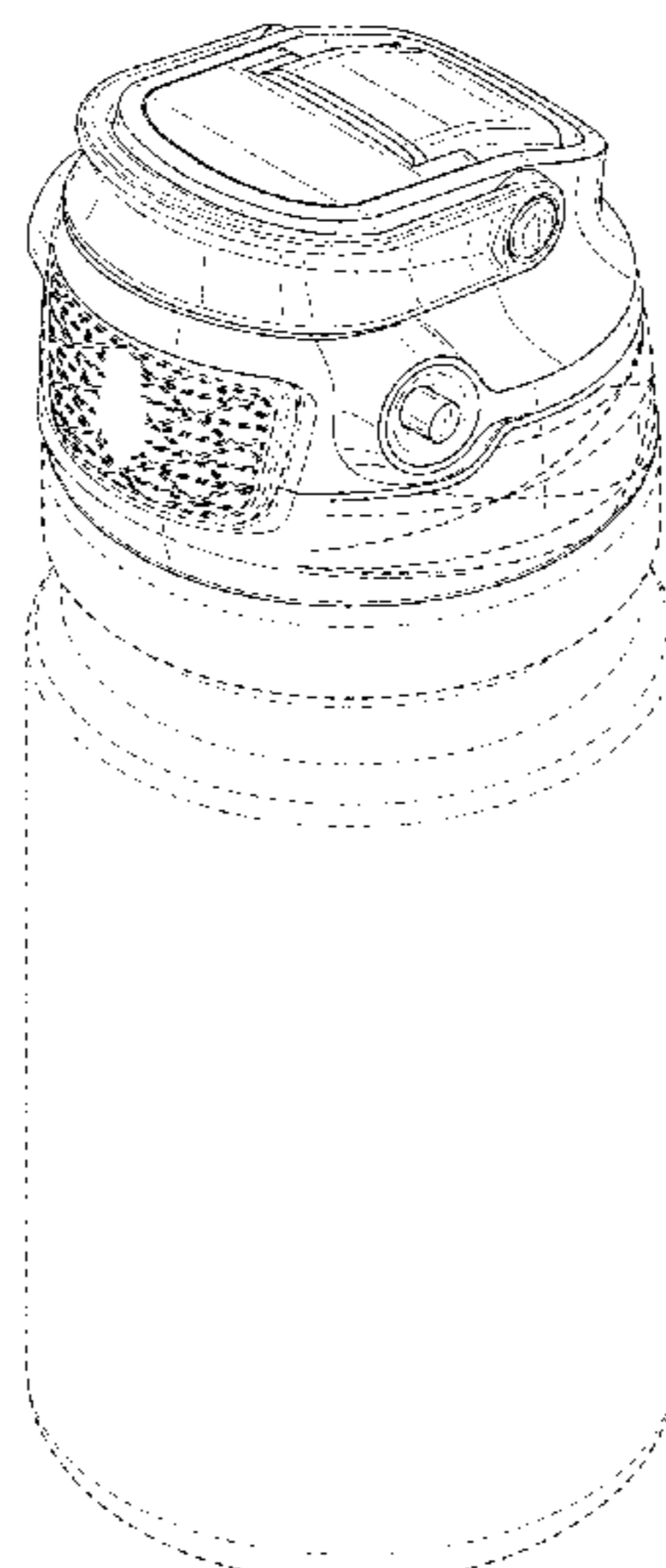
(57) **CLAIM**

The ornamental design for a lid for beverage container, as shown and described.

**DESCRIPTION**

FIG. 1 is a top perspective view of a lid for beverage container according to the new design;  
FIG. 2 is a front view thereof;  
FIG. 3 is a back view thereof;  
FIG. 4 is a right side view thereof;  
FIG. 5 is a left side view thereof;  
FIG. 6 is a top view thereof; and,  
FIG. 7 is a bottom view thereof.  
The broken lines shown in the drawings are included for the purpose of illustrating environmental structure and form no part of the claimed design.

**1 Claim, 6 Drawing Sheets**



(56)

**References Cited**

U.S. PATENT DOCUMENTS

D794,453 S \* 8/2017 Boroski ..... D7/392.1  
 D804,904 S \* 12/2017 Noveletsky ..... D7/510  
 2011/0089059 A1\* 4/2011 Lane ..... B65D 47/08  
 206/222  
 2012/0312832 A1\* 12/2012 Lane ..... B65D 47/066  
 220/833  
 2015/0014339 A1 1/2015 Chiou et al.  
 2015/0028044 A1 1/2015 El-Saden et al.  
 2015/0201773 A1 7/2015 Sorensen et al.  
 2015/0360927 A1 12/2015 Sweeney et al.  
 2017/0144808 A1\* 5/2017 Choltco-Devlin ..... B65D 43/26  
 2017/0253395 A1\* 9/2017 Matthis ..... A47G 19/2272  
 2017/0349354 A1\* 12/2017 Garg ..... B65D 81/3205

OTHER PUBLICATIONS

25 OZ. Wells Autospout® Straw Water Bottle, downloaded from the Internet at: <http://www.avexoutdoor.com/bpa-free-bottles-wells-autospout-plastic-water-bottle-html.html> (Jan. 10, 2016).  
 17 oz. Freeflow Autoseal® Water Bottle, downloaded from the Internet at: <http://www.avexoutdoor.com/freeflow-autoseal-water-bottle-17oz.html> (Mar. 31, 2016).

25 oz. Brazos Autoseal® Water Bottle, downloaded from the Internet at: <http://www.avexoutdoor.com/bpa-free-bottles-brazos-autoseal-plastic-water-bottle.html>.

24 oz. Brazos Autoseal® Stainless Water Bottle, downloaded from the Internet at: <http://www.avexoutdoor.com/24-oz-brazos-autoseal-water-bottle.html> .

Avex Autoseal® Insulated Brazos Product Sheet.

Avex FreeFlow Stainless Autoseal Water Bottle, posted at Amazon.com, posted on Apr. 18, 2016, [https://www.amazon.com/gp/product/B01BEX7LPS/ref=as\\_li\\_of\\_sp\\_asin\\_il\\_tl?ie=UTF8](https://www.amazon.com/gp/product/B01BEX7LPS/ref=as_li_of_sp_asin_il_tl?ie=UTF8)

&camp=1789&creative=9325&creative ASIN=B01BEX7M5W &linkCode=as2&tag=blesthisstuf-20 &linkId=00YOAFOHSHIV243QA&th=1>.

Contigo Autoseal® Cortland Water Bottle, downloaded from the Internet at: <http://www.gocontigo.com/24-oz-autoseal-cortland-water-bottle.html>.

Contigo Avex Stainless Steel Water Drink Bottle SS Autoseal BPA Free 20oz Flask, posted at Ebay.com, posted on Jun. 4, 2014, <http://www.ebay.com/itm/Contigo-Avex-Stainless-Steel-Water-Drink-Bottle-SS-AUTOSEAL-BPA-Free-20oz-Flask-/171349321808>>.

\* cited by examiner

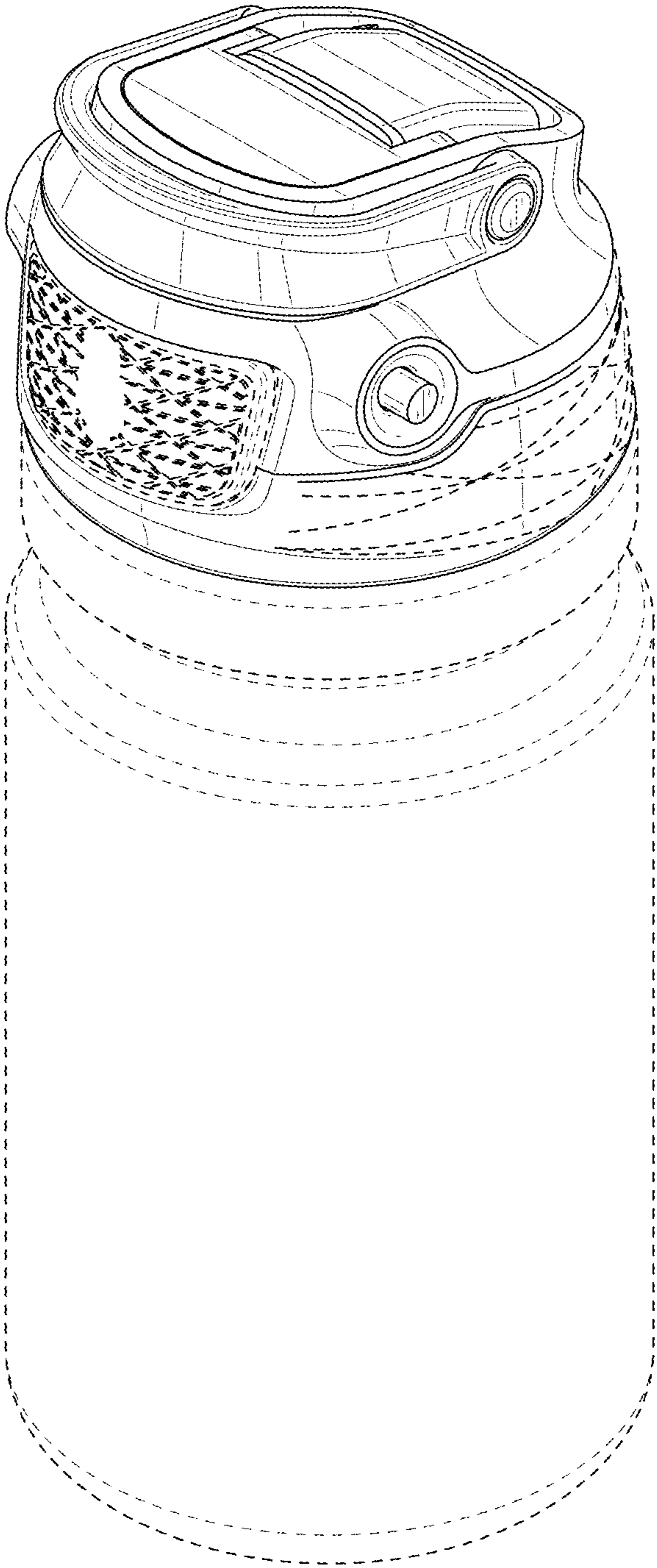


FIG. 1

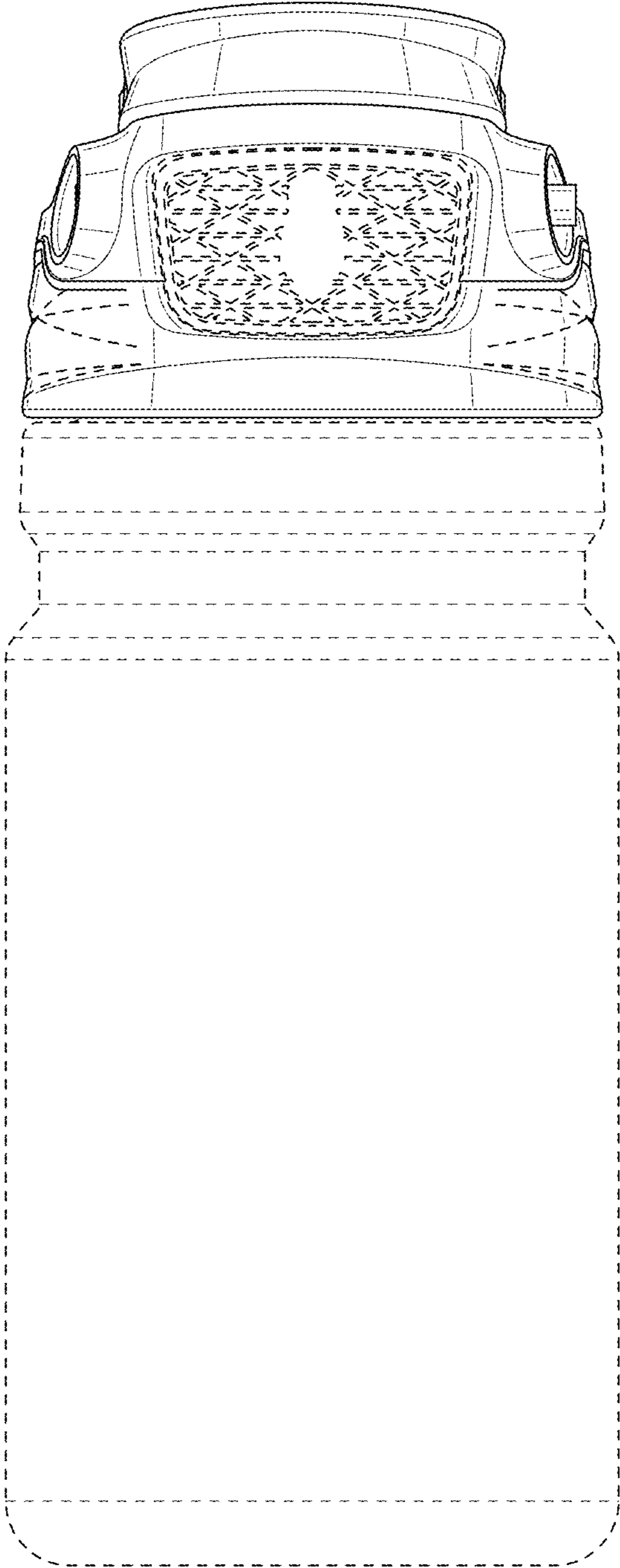


FIG. 2

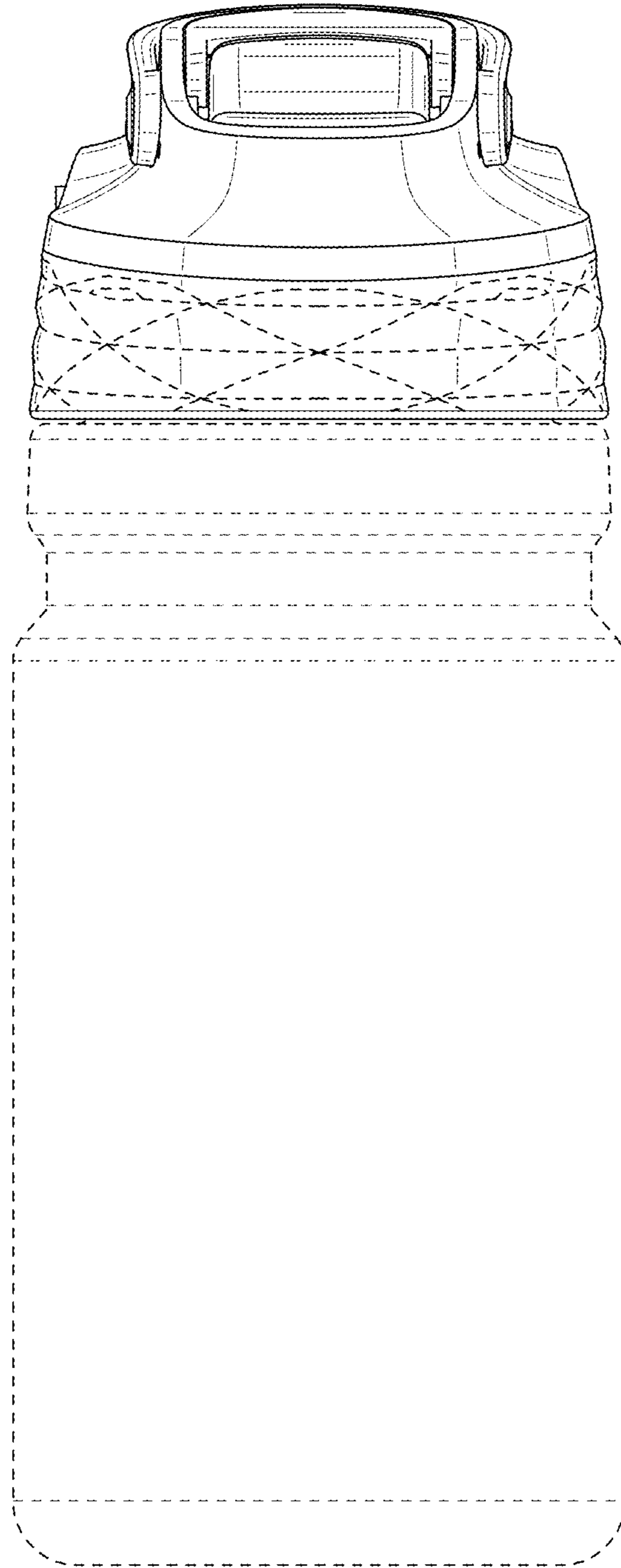


FIG. 3

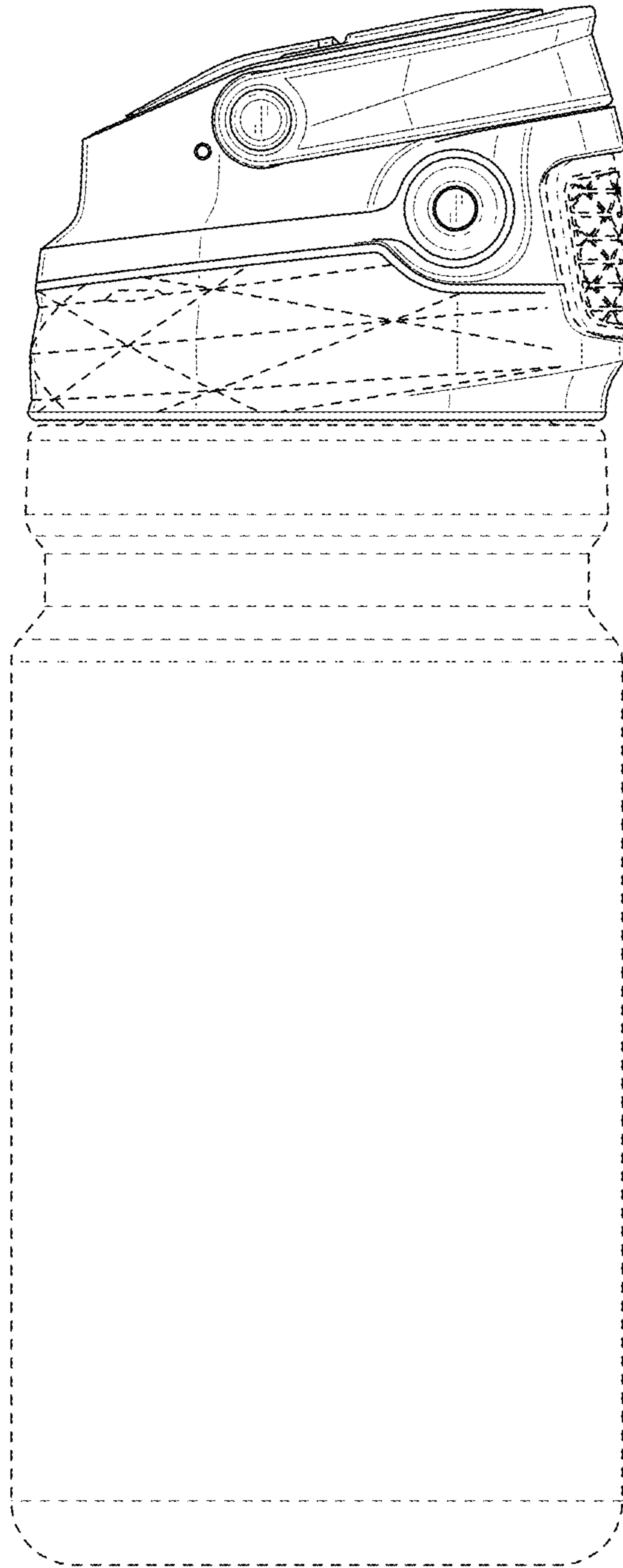


FIG. 4

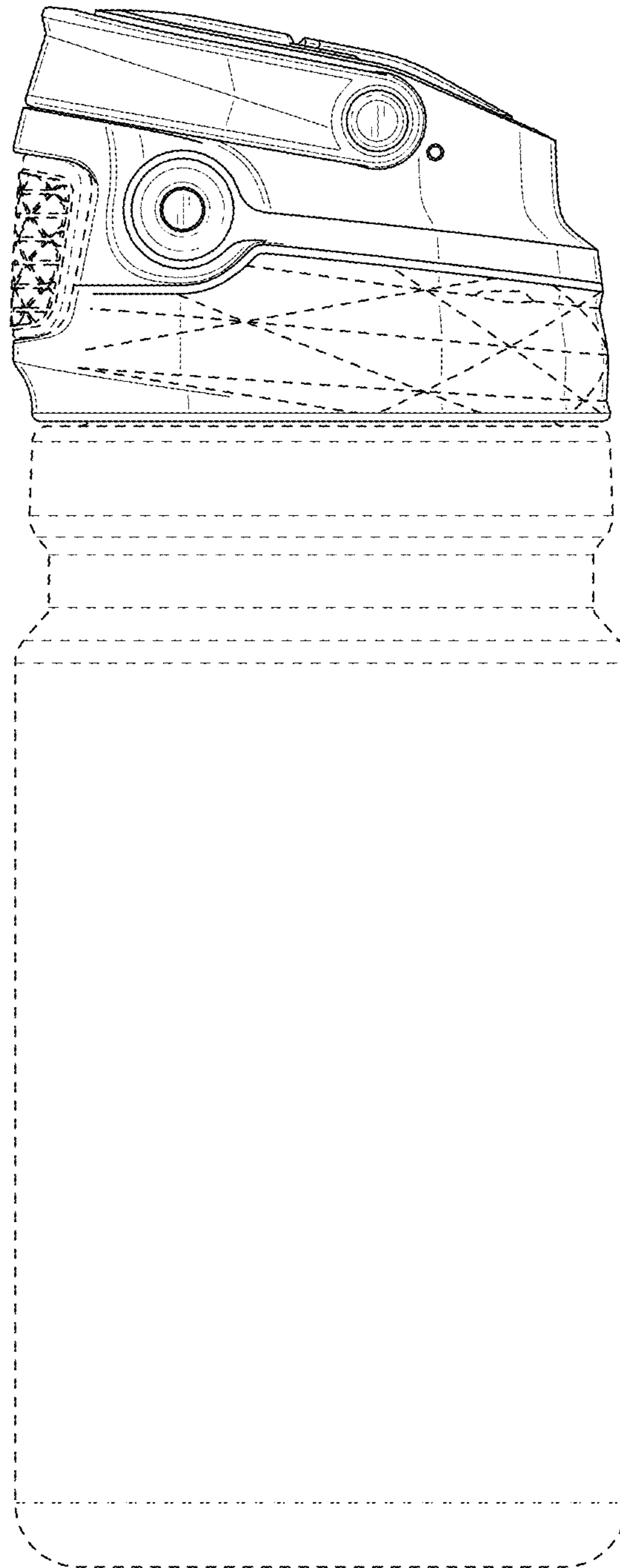


FIG. 5

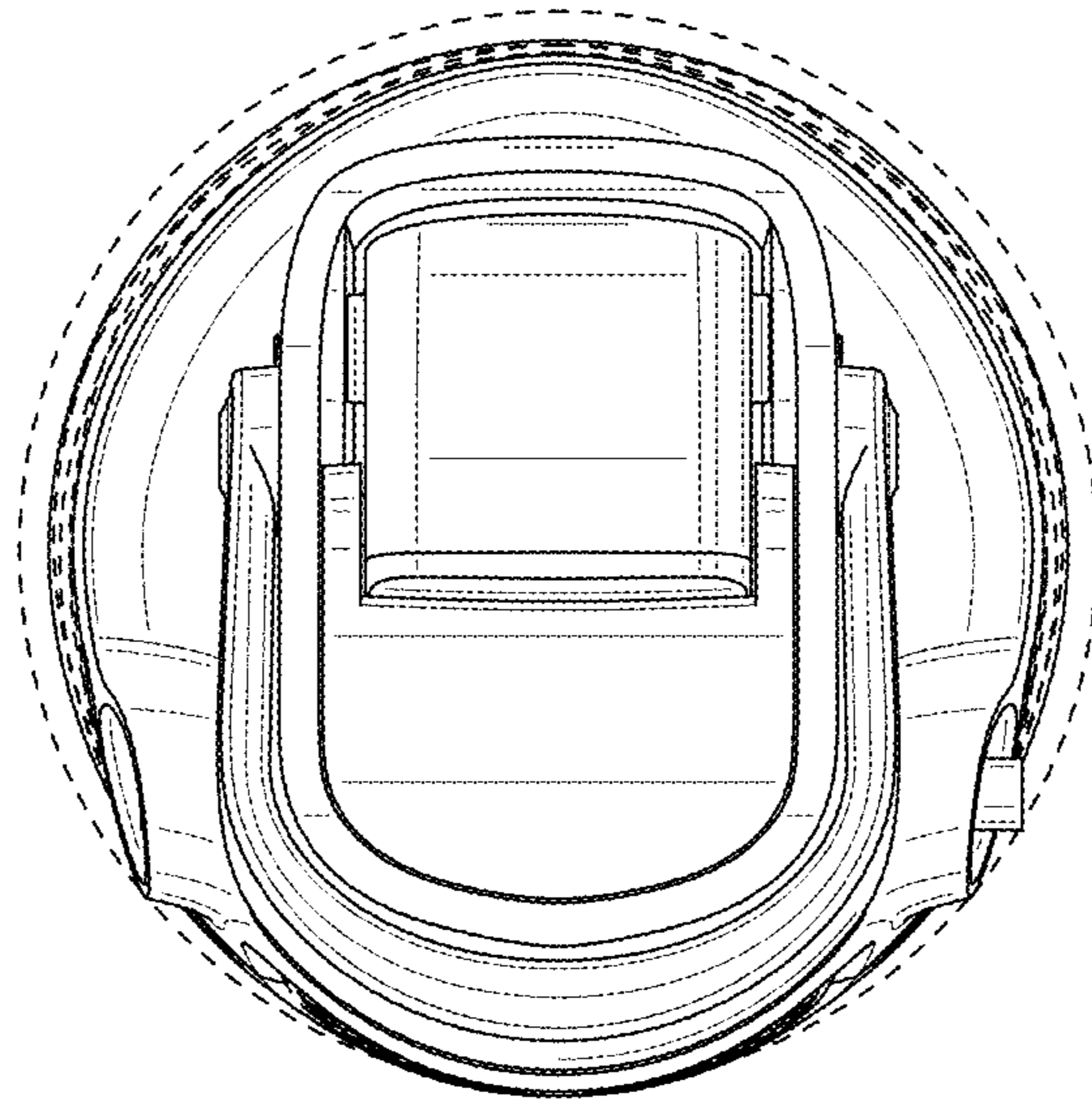


FIG. 6

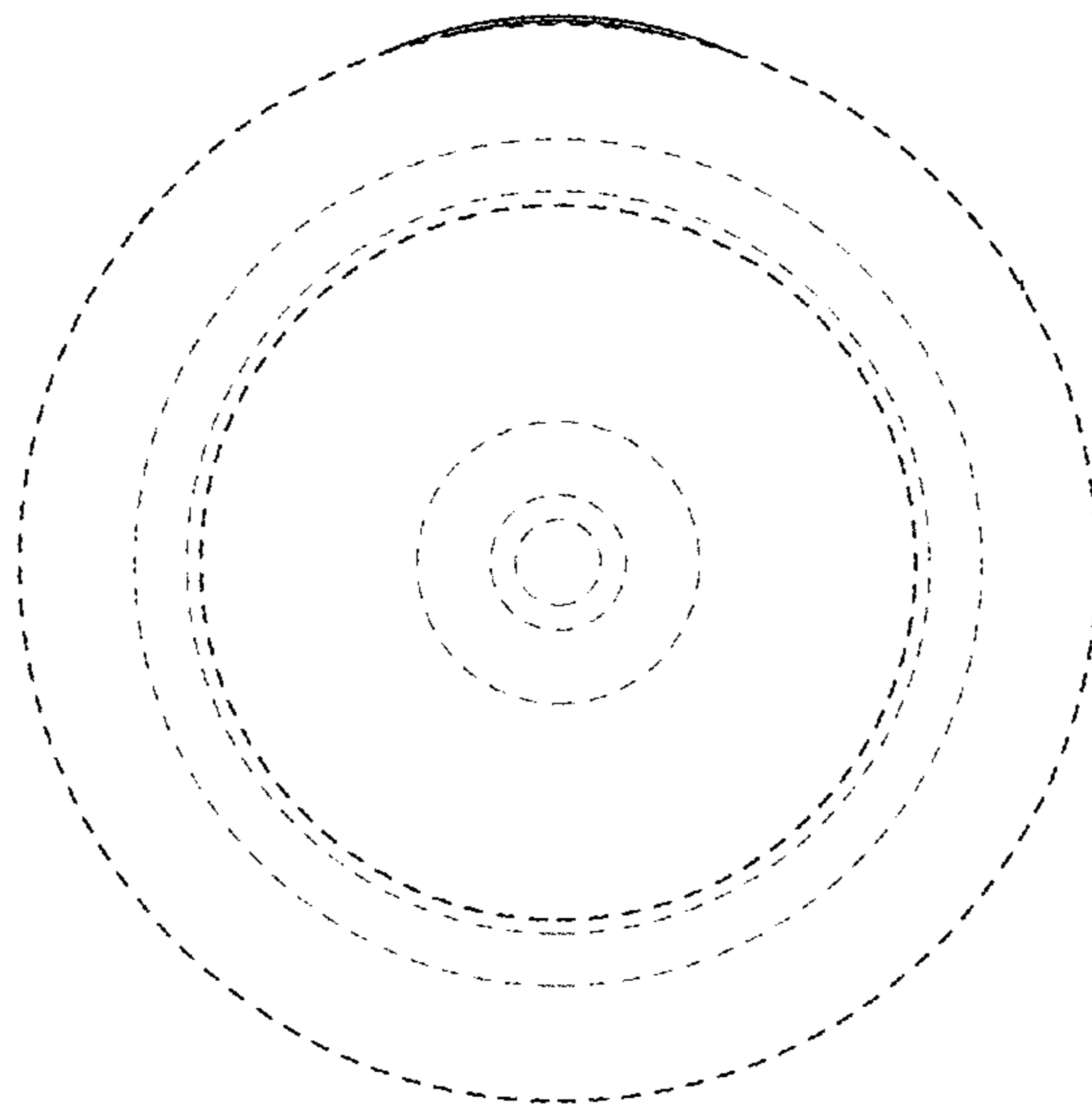


FIG. 7