



US00D822428S

(12) **United States Design Patent** (10) **Patent No.:** **US D822,428 S**
Thuma et al. (45) **Date of Patent:** **** Jul. 10, 2018**

(54) **TUMBLER LID**
(71) Applicant: **Sovaro Coolers, LLC**, Roswell, GA (US)

D673,807 S * 1/2013 Grider D7/391
D744,280 S * 12/2015 Chiang D7/510
D751,341 S * 3/2016 Seiders D7/396.2
(Continued)

(72) Inventors: **Michael Thuma**, La Grange, IL (US);
Torrence Anderson, Overland Park, KS (US);
Michael R. Vogler, Oswego, IL (US)

OTHER PUBLICATIONS

“Ello Cole Vacuum Insulated Stainless Steel Travel Mug”. Found online May 25, 2017 at amazon.com. Page dated Aug. 18, 2016. Retrieved from https://www.amazon.com/Ello-Vacuum-Insulated-Stainless-Steel-Travel/dp/B01FWNIB8M/ref=cm_cr_ar_p_d_product_top?ie=UTF8.
(Continued)

(73) Assignee: **Sovaro Coolers, LLC**, Roswell, GA (US)

(**) Term: **15 Years**

Primary Examiner — George D. Kirschbaum
Assistant Examiner — Kendra Leslie Hamilton
(74) *Attorney, Agent, or Firm* — McHale & Slavin, P.A.

(21) Appl. No.: **29/570,942**

(57) **CLAIM**

(22) Filed: **Jul. 13, 2016**

The ornamental design for a tumbler lid, as shown and described.

(51) **LOC (11) Cl.** **07-01**

(52) **U.S. Cl.**
USPC **D7/392.1**

DESCRIPTION

(58) **Field of Classification Search**
USPC D7/391, 392, 392.1, 396.1, 396.2, 397, D7/398, 509, 510, 511, 543; D9/435, D9/436, 438, 447, 449, 450; D10/46.2, D10/46.3
CPC B65D 51/18
See application file for complete search history.

FIG. 1 is a top front right isometric view of a tumbler lid, showing my new design;
FIG. 2 is a left side view thereof;
FIG. 3 is a right side view thereof;
FIG. 4 is a rear view thereof;
FIG. 5 is a front view thereof;
FIG. 6 is a top view thereof;
FIG. 7 is a bottom view thereof;
FIG. 8 is a bottom front right isometric view thereof; and,
FIG. 9 is a top rear right isometric view thereof, shown in condition of use.

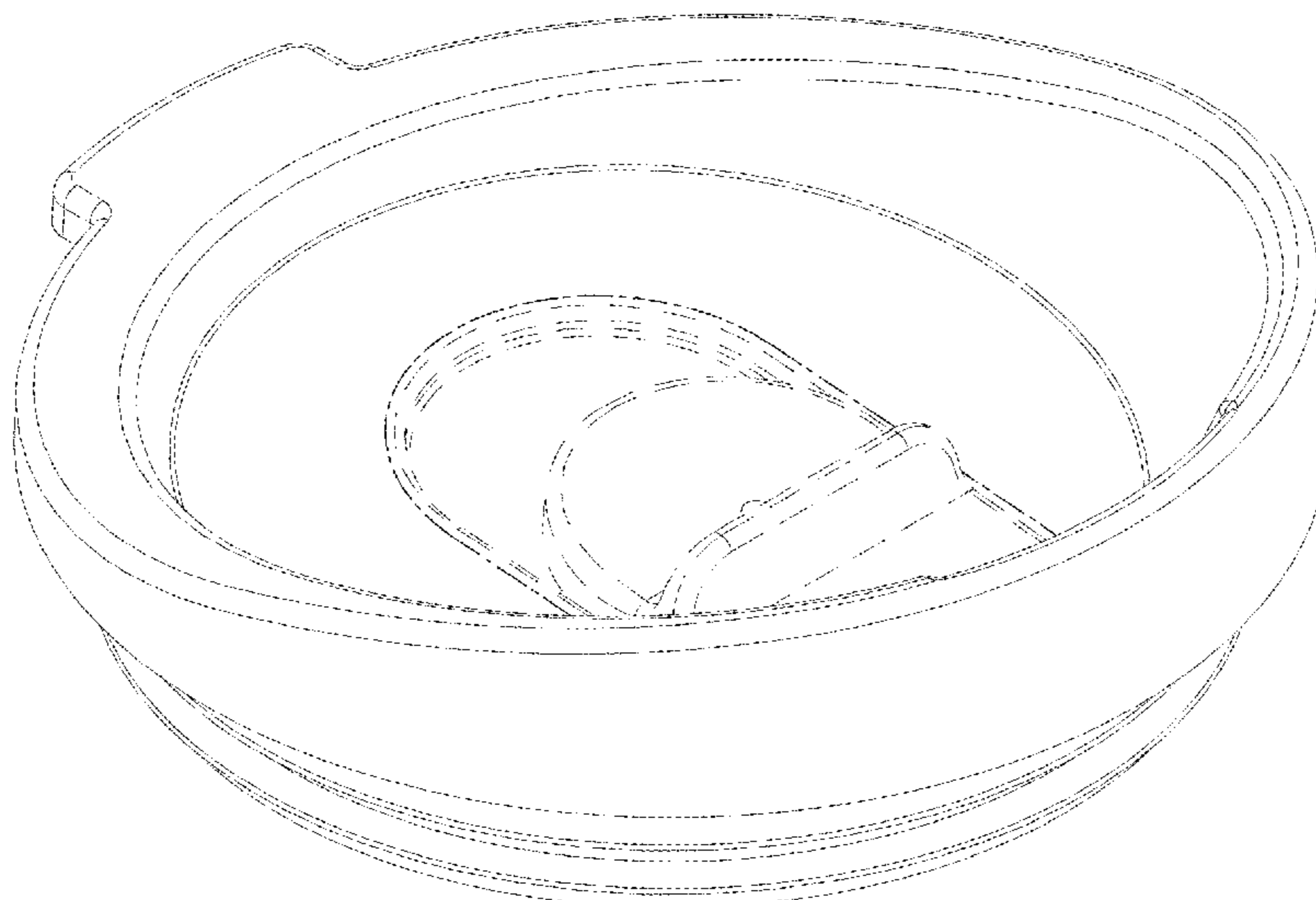
(56) **References Cited**

U.S. PATENT DOCUMENTS

D486,996 S * 2/2004 Karp D7/510
6,752,287 B1 * 6/2004 Lin A47G 19/2272
220/254.9
D536,213 S * 2/2007 Schuler D7/392.1
D583,191 S * 12/2008 Wong D7/392.1
D604,102 S * 11/2009 Pearson D7/510
D625,951 S * 10/2010 Baek D7/396.2
7,845,510 B2 * 12/2010 Schmidtner B65D 43/0208
220/254.9
D666,052 S * 8/2012 Trombly D7/392.1

In FIGS. 1-9, the portions of the tumbler lid illustrated in evenly-spaced broken lines form no part of the claimed design for the tumbler lid, the dash dot lines adjacent to the slider element indicate boundaries between the claimed and unclaimed design. The broken line showing of a tumbler in FIG. 9 depicts environment and forms no part of the claimed design.

1 Claim, 9 Drawing Sheets



(56)

References Cited

U.S. PATENT DOCUMENTS

D758,792 S * 6/2016 Karussi D7/392.1
2017/0101230 A1* 4/2017 Sato B65D 43/20

OTHER PUBLICATIONS

“Cupture Insulated Double Wall Upside Down Beer Glass Tumbler with Slider Lid”. Found online Mar. 9, 2017 at amazon.com. Page dated Mar. 25, 2014. Retrieved from https://www.amazon.com/...8&pd_rd_i=B00J8DSQ06

&pd_rd_r=WWWMRQWJ41N4T7ZYM0KY&pd_rd_w=tTy7G
&pd_rd_wg=onZBL&psc=1
&refRID=WWWMRQWJ41N4T7ZYM0KY.*

“Tervis Travel Lid”. Found online Mar. 9, 2017 at amazon.com. Page dated May 1, 2007. Retrieved from https://www.amazon.com/...TF8&pd_rd_i=B001GA5CHY

&pd_rd_r=R7WYKXRM81PYFM88FDKM&pd_rd_w=c9i35
&pd_rd_wg=PuwEb&refRID=R7WYKXRM81PYFM88FDKM
&th=1.*

“Colorful PoPo Tumbler Lid”. Found online Mar. 9, 2017 at amazon.com. Page dated Jul. 11, 2016. Retrieved from https://www.amazon.com/...r-Yeti-Rambler-Lowball-Tumblers/dp/B01190QJSO/ref=sr_1_7?ie=UTF8&qid=1489082482&sr=8-7

&keywords=tumbler+lid&refinements=p_72%3A2661621011.*

* cited by examiner

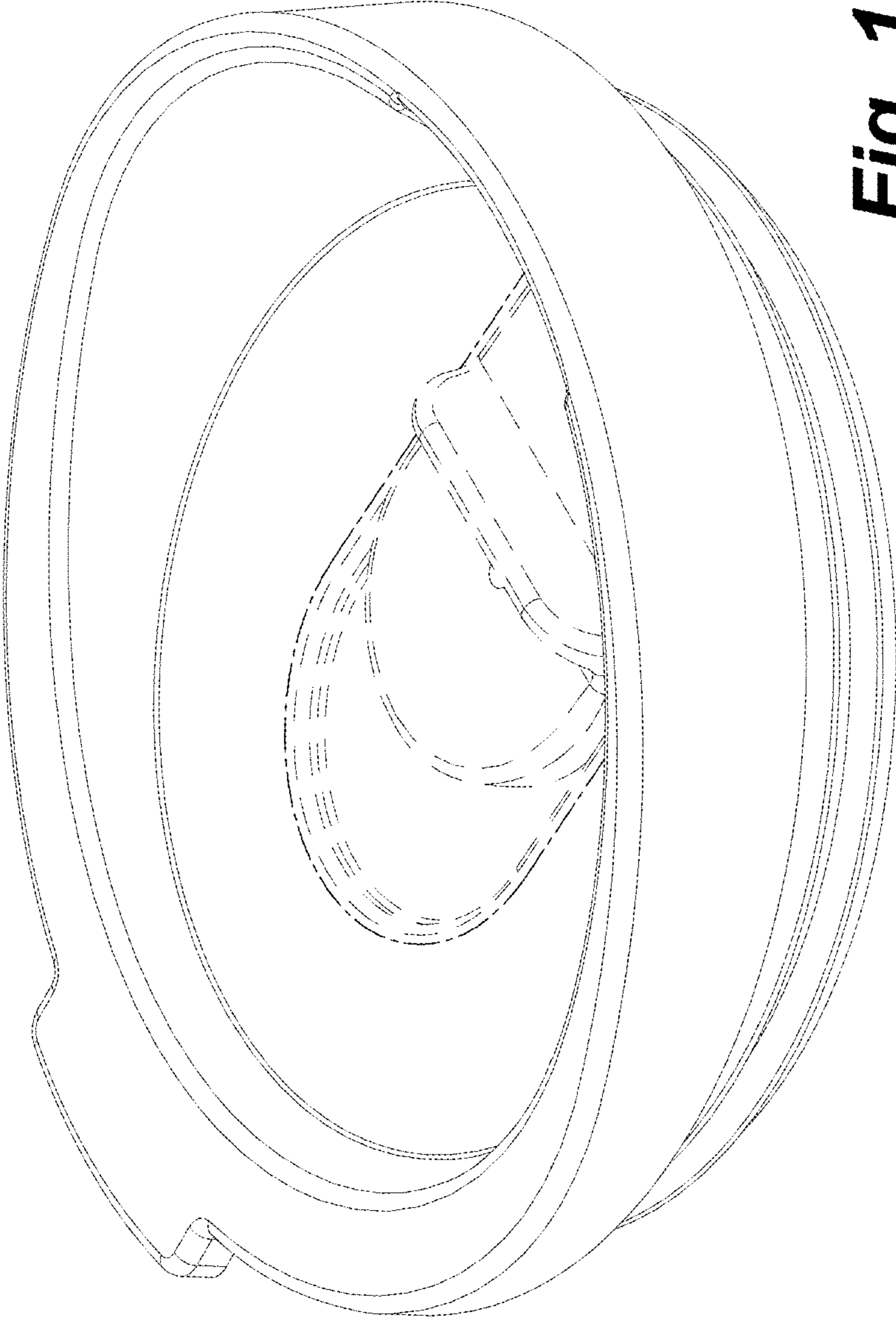


Fig. 1

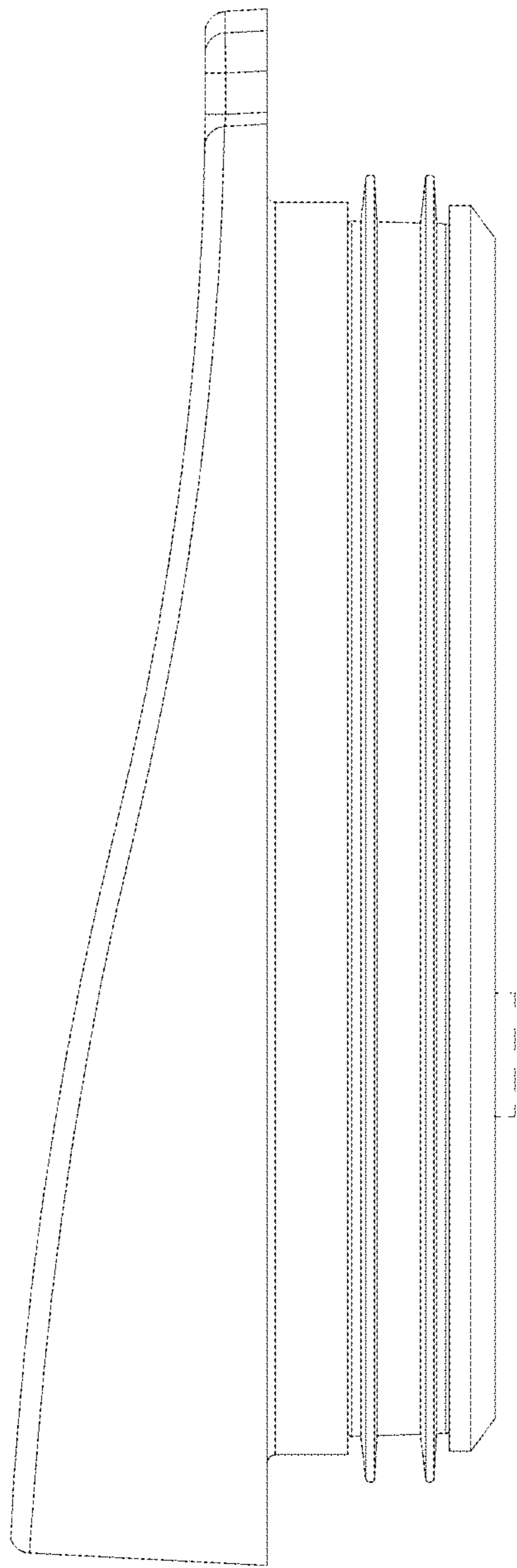


Fig. 2

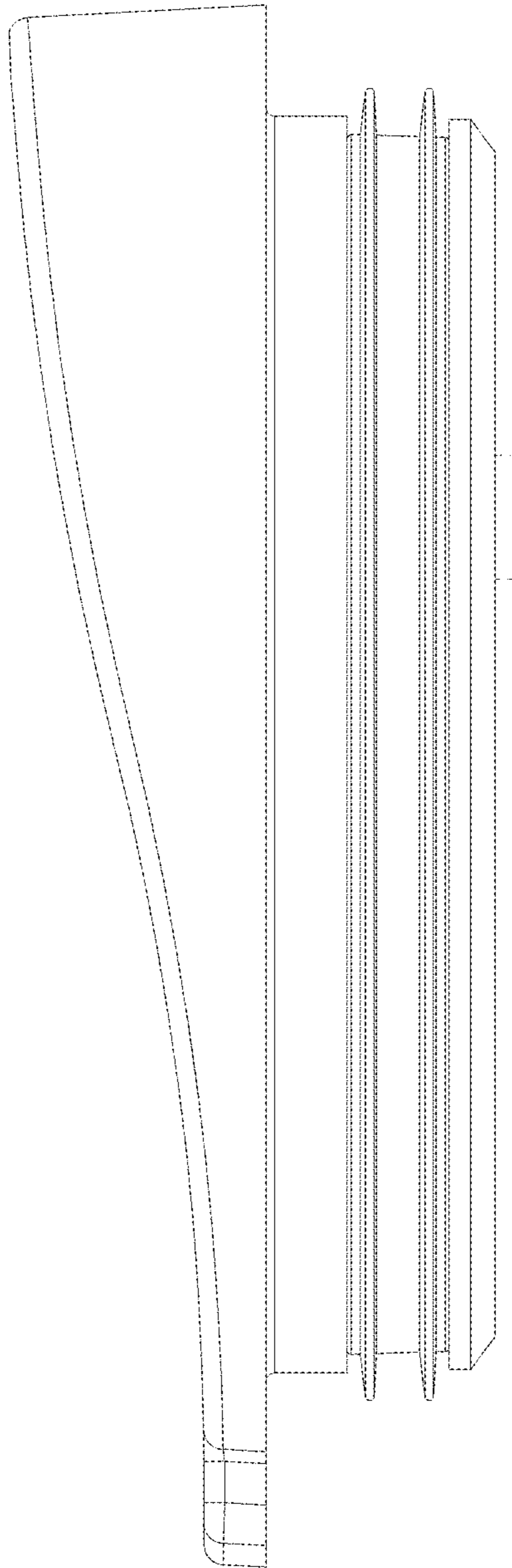


Fig. 3

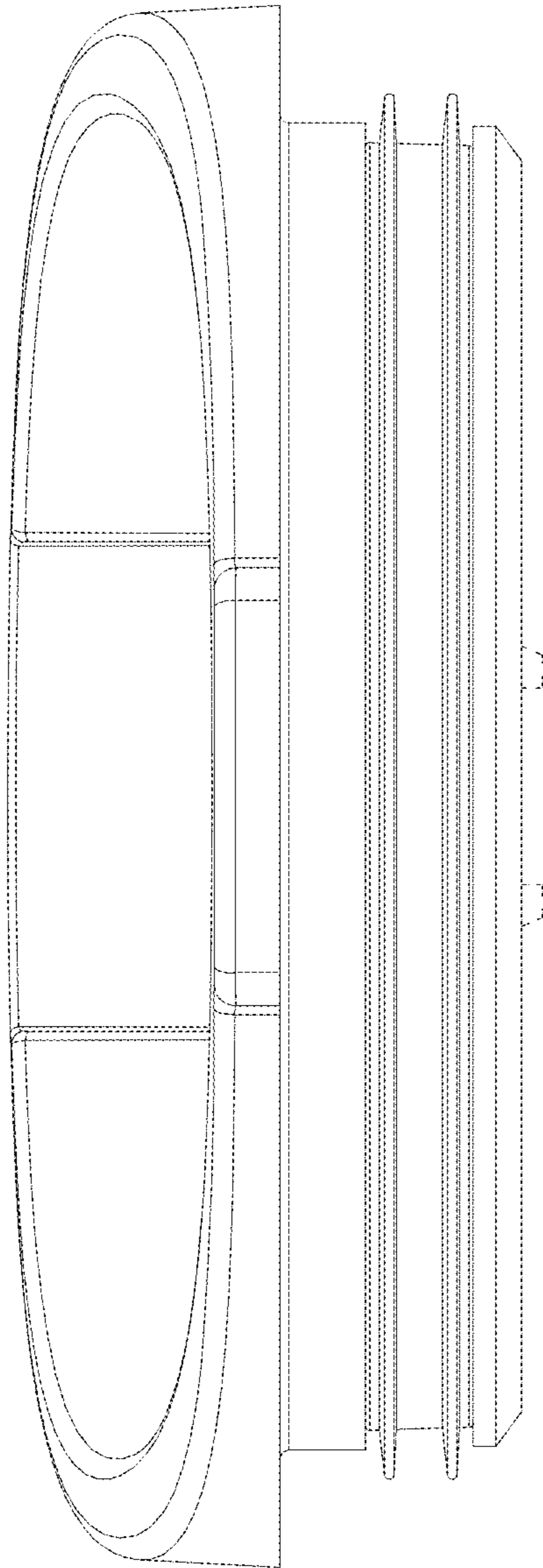


Fig. 4

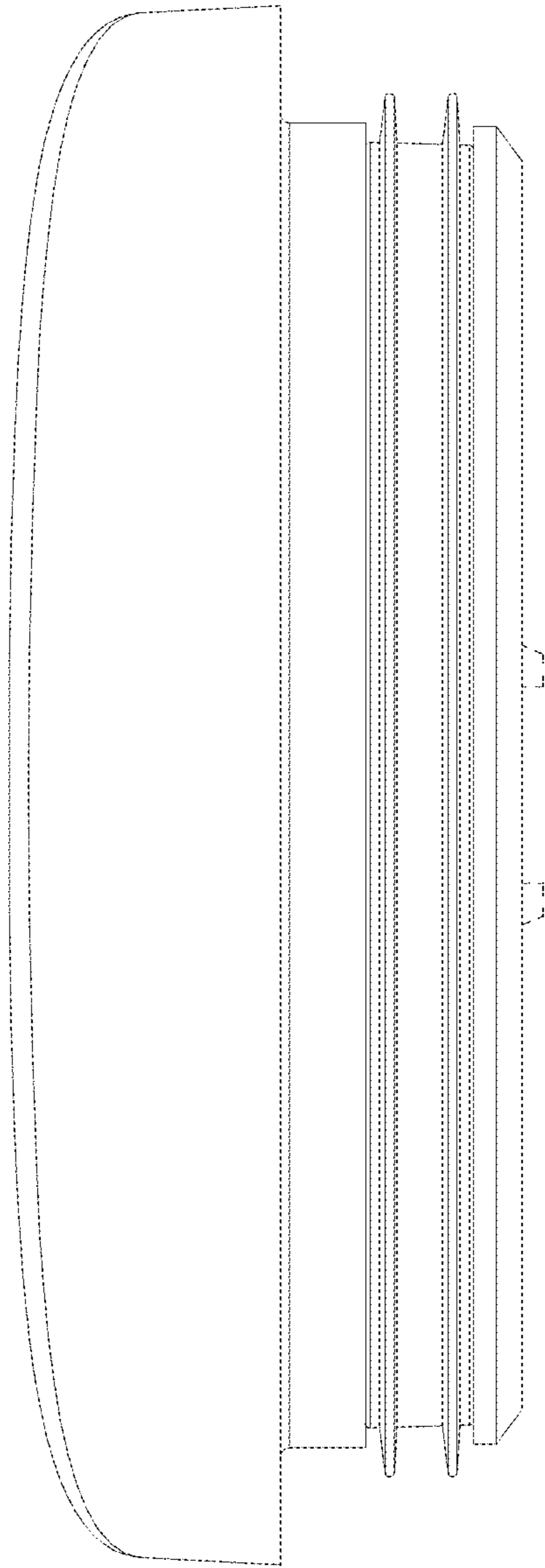


Fig. 5

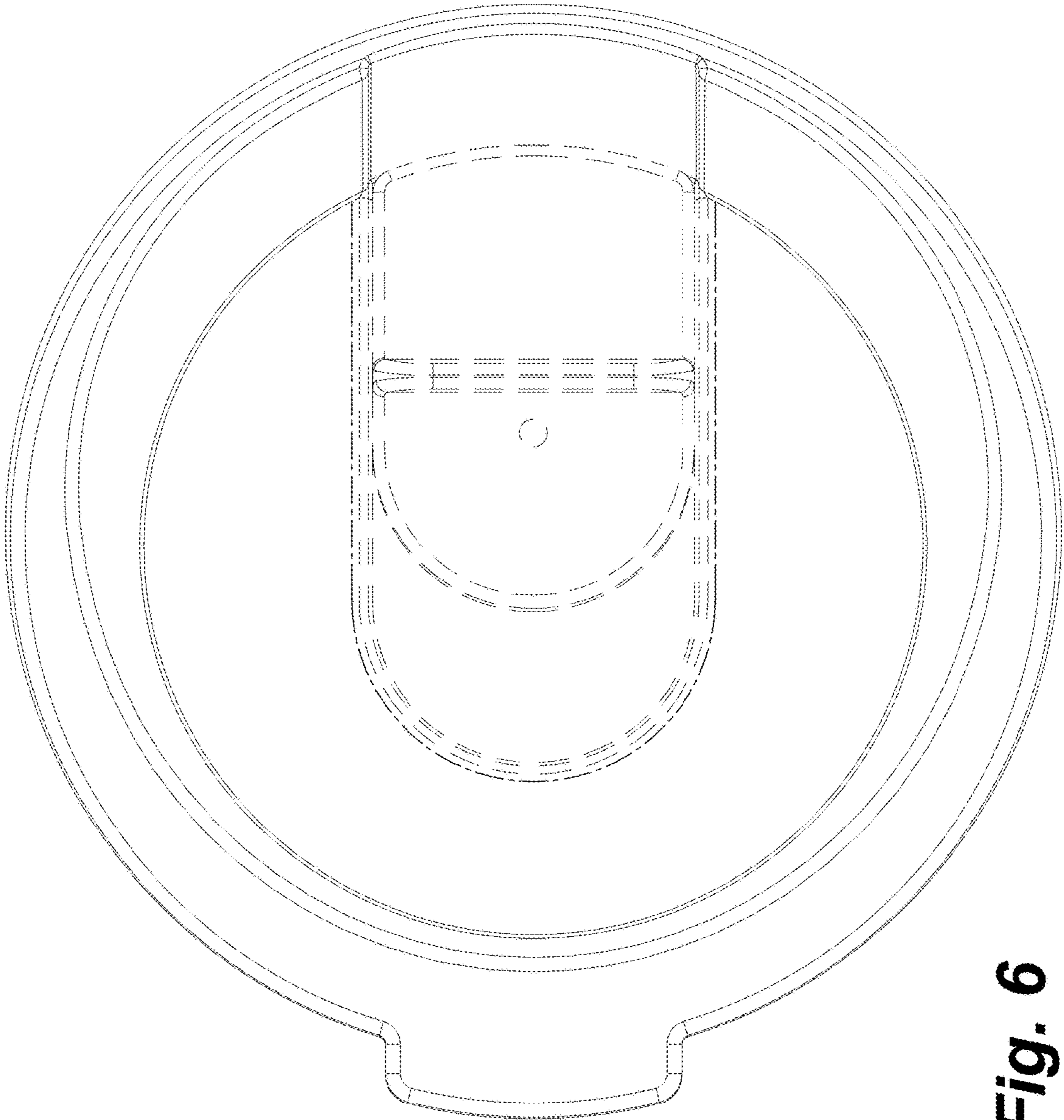


Fig. 6

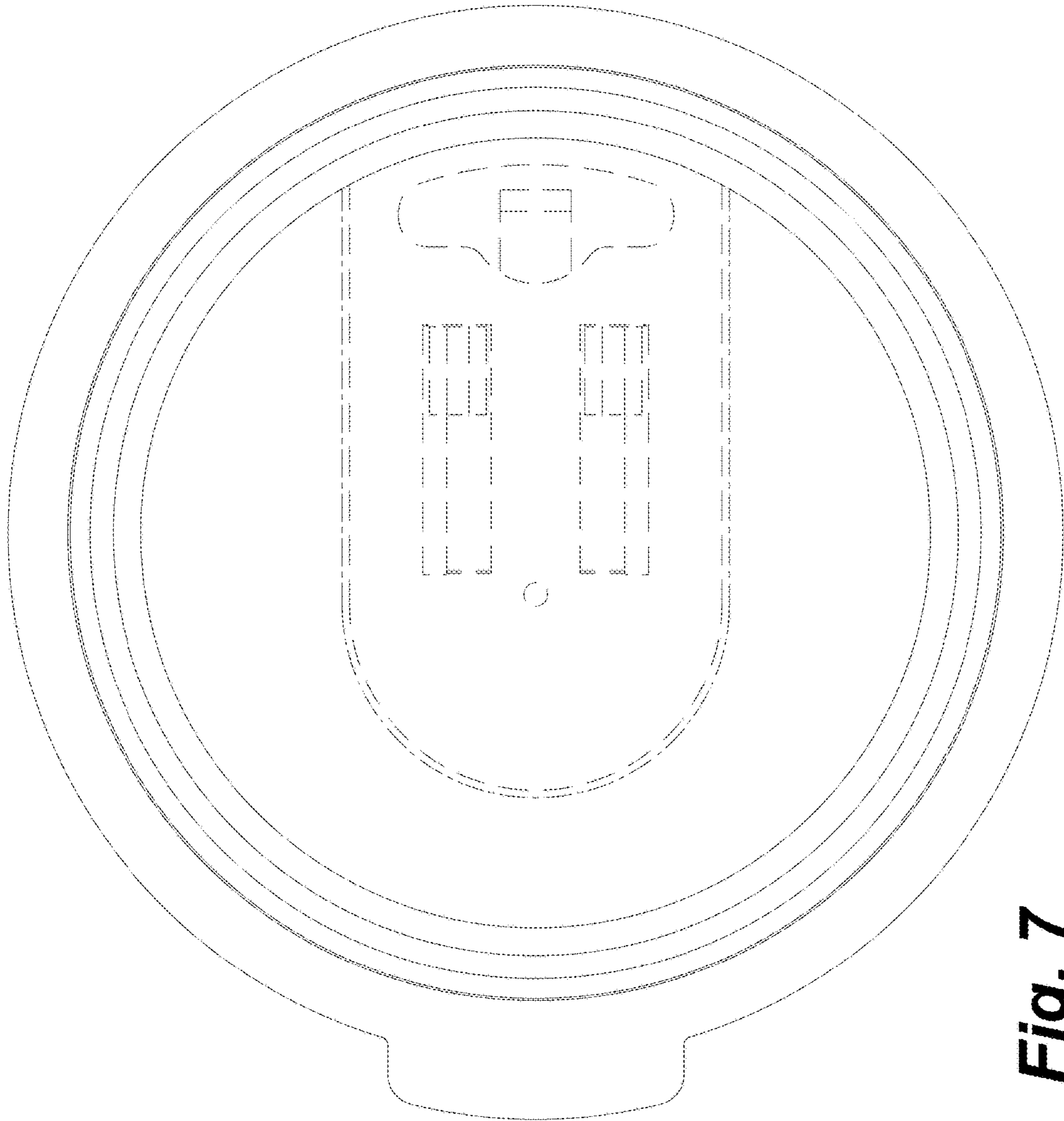


Fig. 7

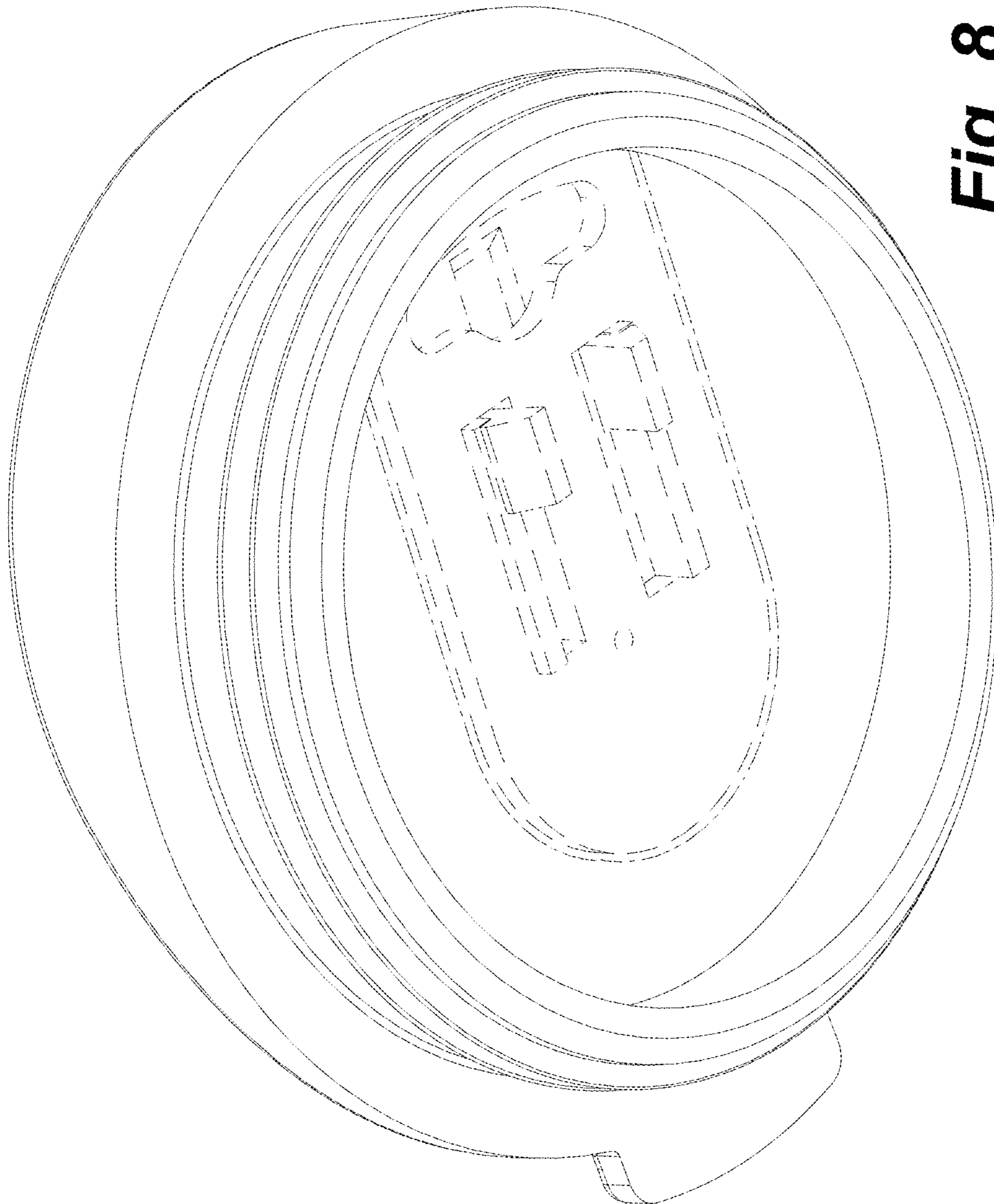


Fig. 8

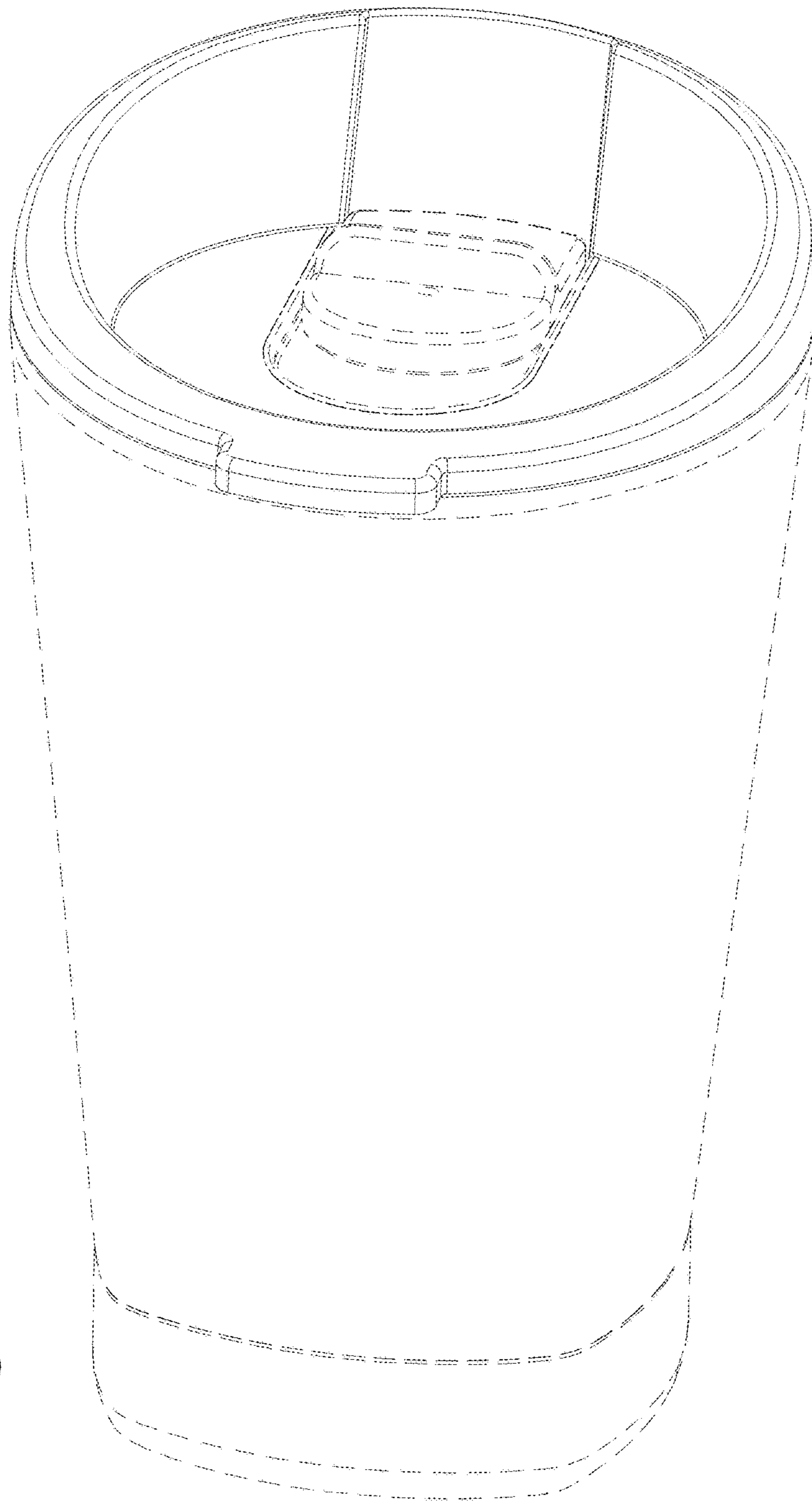


Fig. 9