



US00D822427S

(12) **United States Design Patent** (10) **Patent No.:** **US D822,427 S**  
**Sorensen et al.** (45) **Date of Patent:** **\*\* Jul. 10, 2018**

(54) **LID WITH A LOOP-SHAPED HANDLE**  
(71) Applicant: **RUNWAY BLUE, LLC**, Lehi, UT (US)  
(72) Inventors: **Kim L. Sorensen**, Alpine, UT (US);  
**David O. Meyers**, East Layton, UT (US); **Steven M. Sorensen**, Apline, UT (US)  
(73) Assignee: **Runway Blue, LLC**, Alpine, UT (US)  
(\*\*) Term: **15 Years**  
(21) Appl. No.: **29/552,969**  
(22) Filed: **Jan. 27, 2016**  
(51) **LOC (11) Cl.** ..... **07-01**  
(52) **U.S. Cl.**  
USPC ..... **D7/392.1**; D9/443  
(58) **Field of Classification Search**  
USPC ..... D3/200, 201, 203.1, 202; D7/300, 321, D7/387, 391, 392, 392.1, 393, 396.1, D7/396.2, 397, 398, 500, 507, 509, 510, D7/511, 602, 619.1, 900; D9/434, 435, D9/443, 454, 529; D23/206, 259, 260; D24/127, 224  
CPC .... B65D 81/3283; B65D 47/06; B65D 47/36; B65D 47/247; B65D 47/265; B65D 47/283; B65D 47/08; B65D 47/065; B65D 47/361; B65D 43/02; B65D 43/023; B65D 43/06; B65D 43/16; B65D 43/22; B65D 43/26; B65D 43/161; B65D 43/0212; B65D 43/0208; B65D 43/021; B65D 43/0218; B65D 43/162; B65D 2251/0021; B65D 2251/0081; B65D 2543/00046; B65D 2543/000231; B65D 2543/00092; B65D 2543/000657; B65D 51/15; B65D 51/1694; B65D 2205/02; B65D 23/00; B65D 2501/00; B65D 2501/0009; B65D 1/00;  
(Continued)

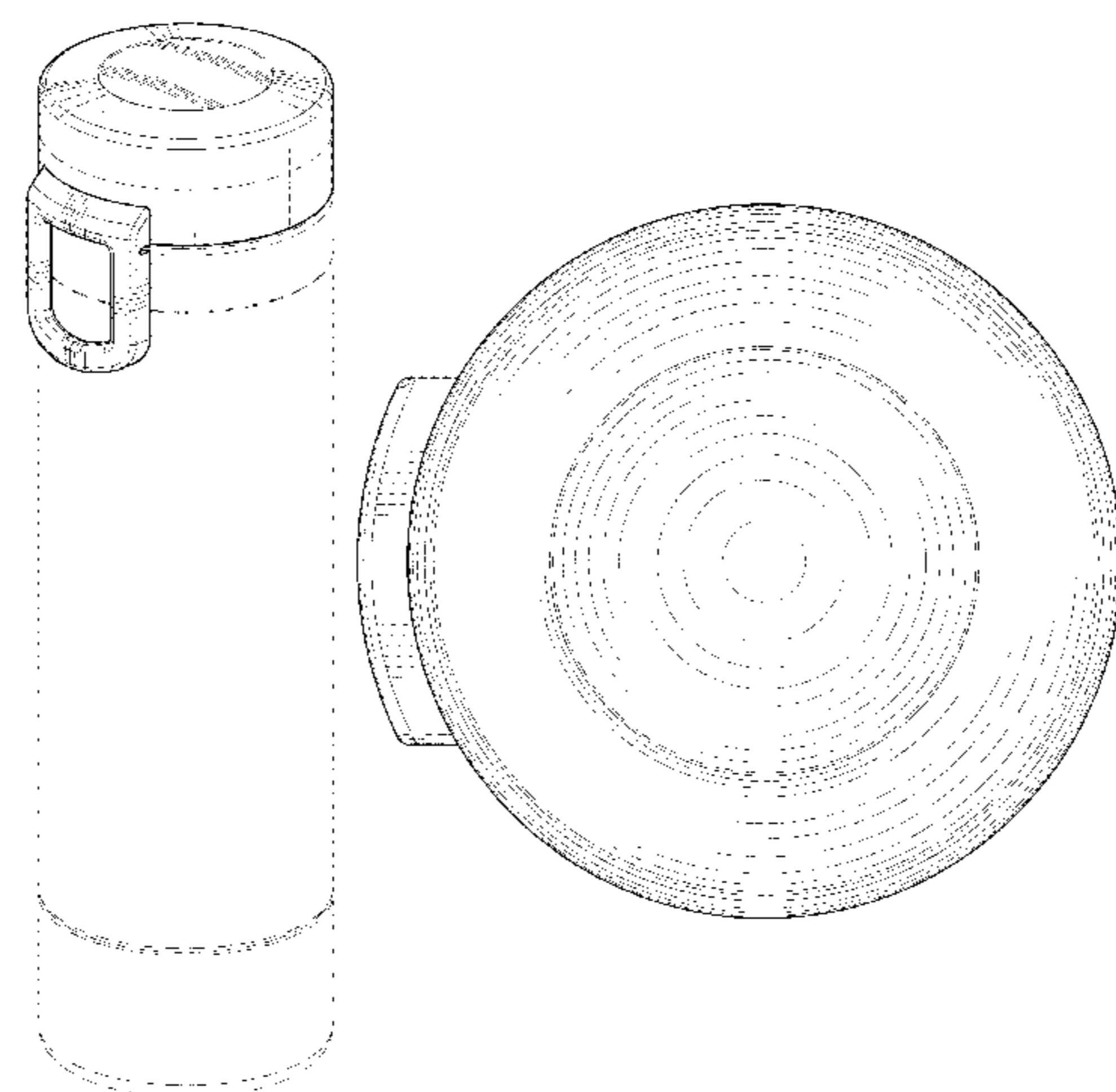
(56) **References Cited**  
U.S. PATENT DOCUMENTS  
4,607,768 A \* 8/1986 Taber ..... B65D 47/0847 215/237  
D470,273 S \* 2/2003 Revivo ..... D28/76  
(Continued)

**OTHER PUBLICATIONS**  
Brita Fill and Go Water Bottle: Announced Oct. 17, 2014 [online]. Site Visited Jan. 4, 2017. Available from Internet URL: [https://www.amazon.com/BRITA-Filtered-Bottle-Filter-included/product-reviews/B00BG9DHD6/ref=cm\\_cr\\_getr\\_d\\_paging\\_btm\\_1?ie=UTF8&reviewerType=all\\_reviews&pageNumber=1](https://www.amazon.com/BRITA-Filtered-Bottle-Filter-included/product-reviews/B00BG9DHD6/ref=cm_cr_getr_d_paging_btm_1?ie=UTF8&reviewerType=all_reviews&pageNumber=1).  
(Continued)

*Primary Examiner* — Jennifer Rivard  
*Assistant Examiner* — Catherine S Posthauer  
(74) *Attorney, Agent, or Firm* — Maschoff Brennan

(57) **CLAIM**  
The ornamental design for a lid with a loop-shaped handle, as shown and described.

**DESCRIPTION**  
FIG. 1 is an upper perspective view of a lid with a loop-shaped handle, illustrating the lid attached to an exemplary container;  
FIG. 2 is an enlarged upper perspective view thereof, with the exemplary container removed for clarity of details;  
FIG. 3 is a lower perspective view thereof;  
FIG. 4 is a front view thereof;  
FIG. 5 is a rear side view thereof;  
FIG. 6 is a left side view thereof;  
FIG. 7 is a right side view thereof;  
FIG. 8 is a top view thereof; and,  
FIG. 9 is a bottom view thereof.  
(Continued)



The broken lines are shown for the purpose of illustrating environmental subject matter of a container, and parts of the article, none of which form part of the claim.

**1 Claim, 9 Drawing Sheets**

**(58) Field of Classification Search**

CPC .. B65D 1/02; B65D 1/0223; B65D 83/08055;  
 B65D 21/0219; B65D 85/36; A47G  
 19/02; A47G 19/2273; A47G 19/2266;  
 A47G 19/2288; A47J 36/027; A47J  
 36/06; A47J 43/24

See application file for complete search history.

**(56) References Cited**

**U.S. PATENT DOCUMENTS**

D495,544	S	*	9/2004	Tan	.....	D6/515
D652,682	S	*	1/2012	Eyal	.....	D7/510
D661,945	S	*	6/2012	Eyal	.....	D7/392.1
D675,865	S	*	2/2013	Wahl	.....	D7/392.1
D695,069	S	*	12/2013	Lane	.....	D7/510
D707,492	S	*	6/2014	George	.....	D7/510
D741,637	S	*	10/2015	Palermo	.....	D7/300.1
D741,655	S	*	10/2015	Whelan	.....	D7/300.1
D747,136	S	*	1/2016	Lane	.....	D7/396.2
D747,918	S	*	1/2016	Herbst	.....	D7/392.1
D748,477	S	*	2/2016	Herbst	.....	D7/392.1
D748,942	S	*	2/2016	Boroski	.....	D7/376
D758,790	S	*	6/2016	Boroski	.....	D7/392.1
D758,859	S	*	6/2016	Sorensen	.....	D7/393
D759,485	S	*	6/2016	Boroski	.....	D9/449

D760,027	S	*	6/2016	Meyers	.....	D7/510
D772,064	S	*	11/2016	Boroski	.....	D9/436
D774,357	S	*	12/2016	Palin	.....	D7/510
D784,146	S	*	4/2017	Notheis	.....	D7/511
D787,885	S	*	5/2017	Rummel	.....	D7/510
D792,742	S	*	7/2017	Meyers	.....	D7/523
9,694,953	B2	*	7/2017	Meyers	.....	A47G 19/2266
D794,454	S	*	8/2017	Rummel	.....	D9/449
D794,455	S	*	8/2017	Rummel	.....	D9/449
D799,271	S	*	10/2017	Pogue	.....	D7/510
2007/0062949	A1	*	3/2007	Bordner	.....	B65D 43/0212 220/268
2007/0090111	A1	*	4/2007	Alvares	.....	B65D 7/42 220/257.2
2007/0108210	A1	*	5/2007	Alvares	.....	B65D 21/0219 220/270
2014/0319170	A1	*	10/2014	Sweeney	.....	A47G 19/2272 220/714
2016/0200486	A1	*	7/2016	Meyers	.....	A47G 19/2266 215/229
2016/0207671	A1	*	7/2016	Okubo	.....	B65D 41/42
2017/0144809	A1	*	5/2017	Sorensen	.....	B65D 47/065
2017/0240321	A1	*	8/2017	Sims	.....	B65D 43/22

**OTHER PUBLICATIONS**

Blender Bottle ProStak: Announced Mar. 18, 2016 [online], site visited Jan. 4, 2018. Available from Internet URL: <https://www.blenderbottle.com/products/prostak-expansion-pak>.\*

U.S. Appl. No. 29/552,967, filed Jan. 27, 2016, Sorensen, et al.

U.S. Appl. No. 62/287,699, filed Jan. 27, 2016, Sorensen, et al.

Examiner's Report from Canadian Patent Application No. 169415, dated Nov. 7, 2016.

U.S. Appl. No. 29/522,967, filed Jan. 27, 2016, Sorensen, et al.

\* cited by examiner

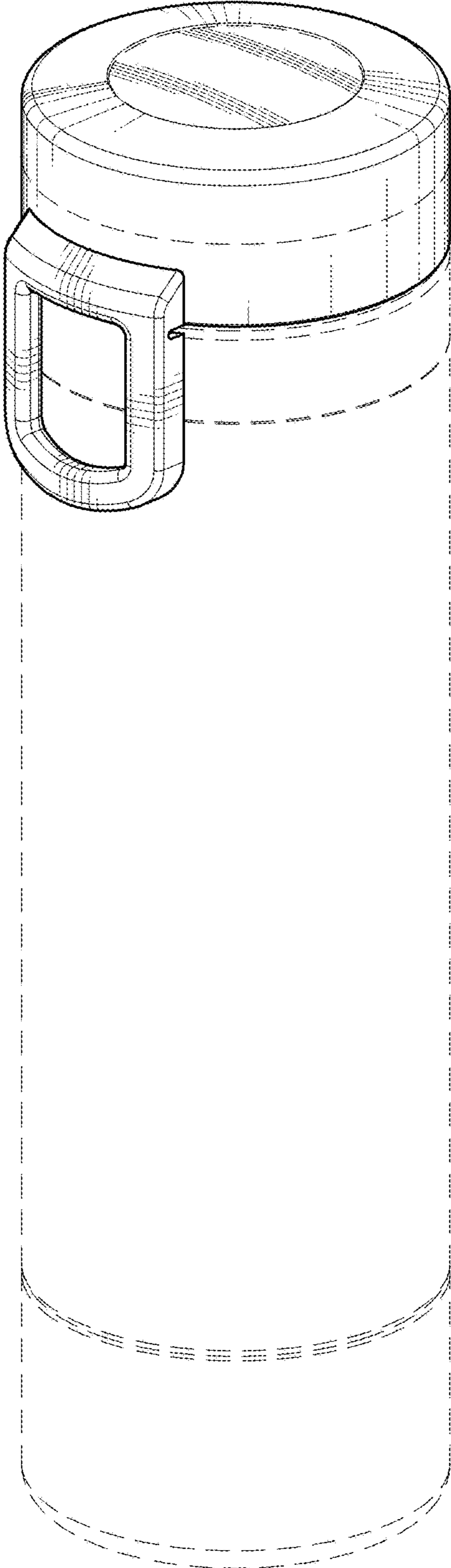


FIG. 1



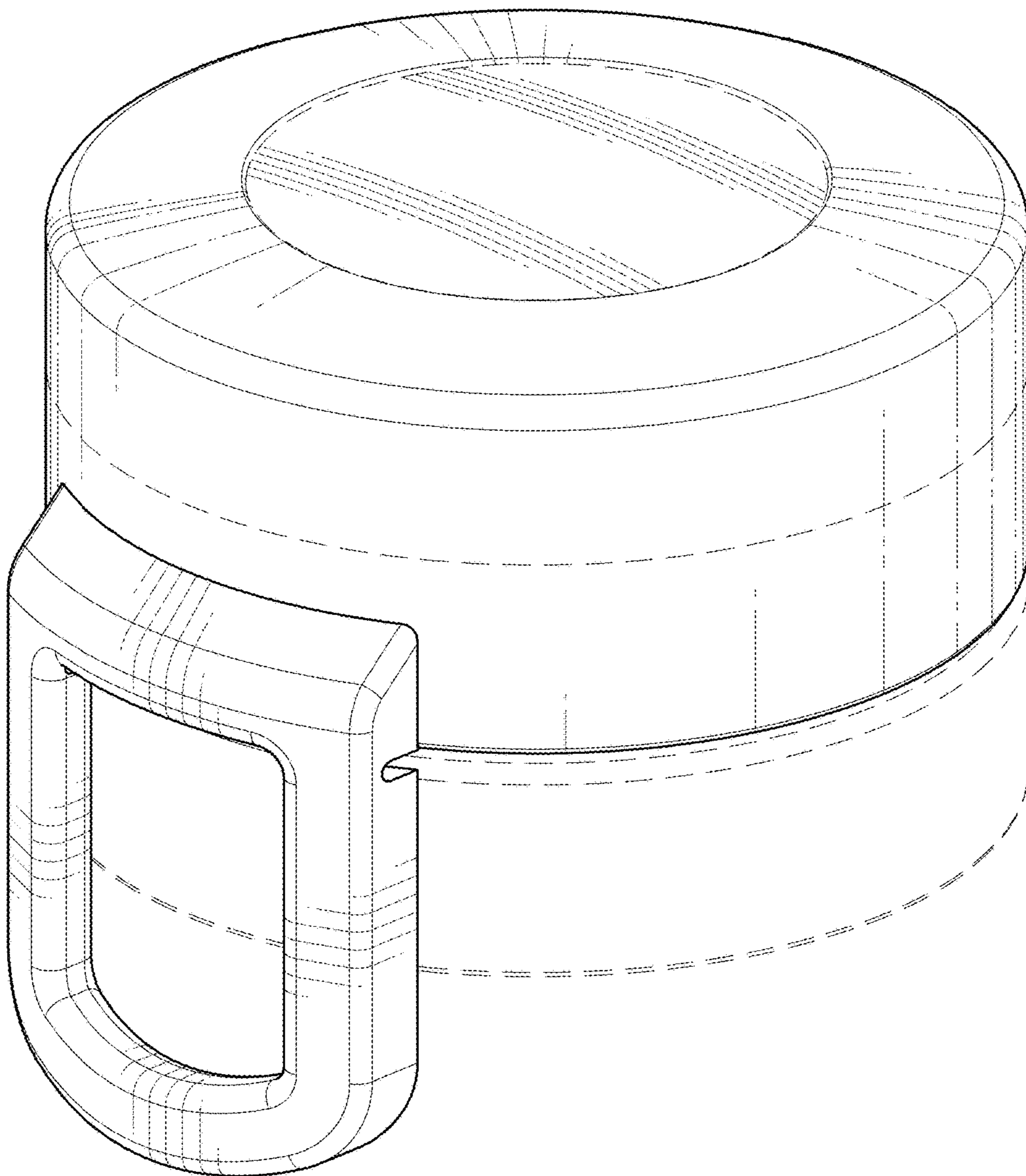


FIG. 2

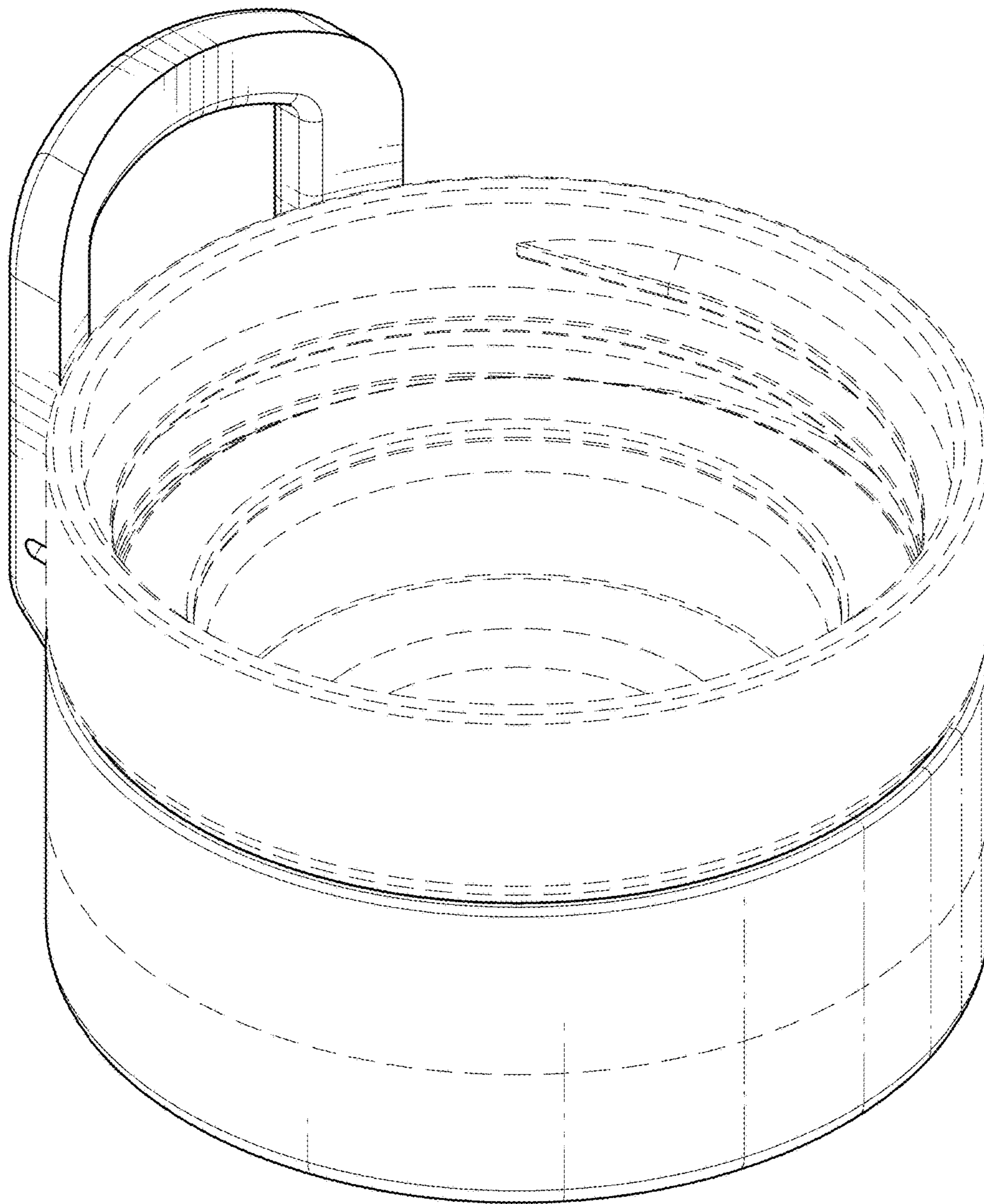


FIG. 3

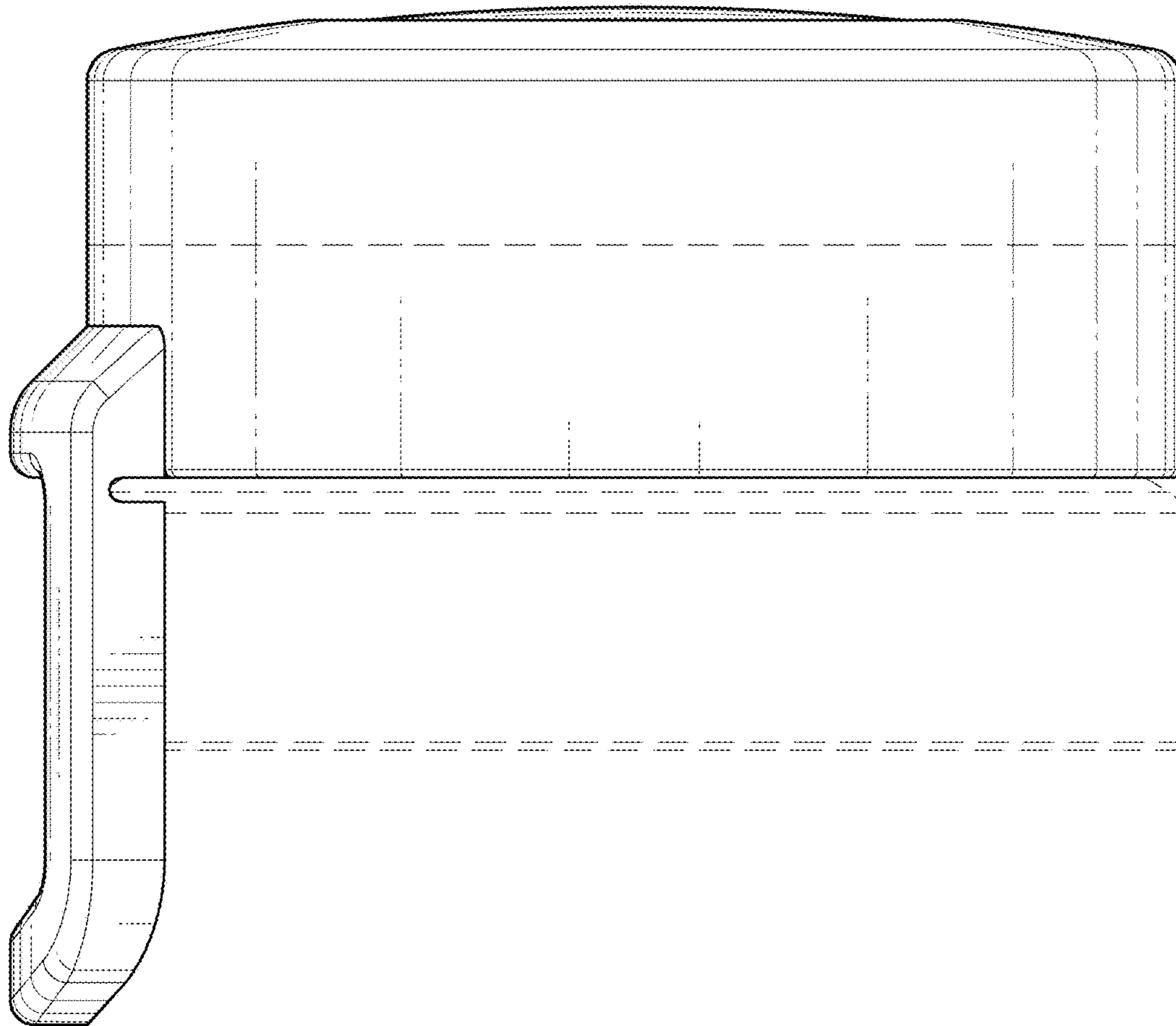


FIG. 4

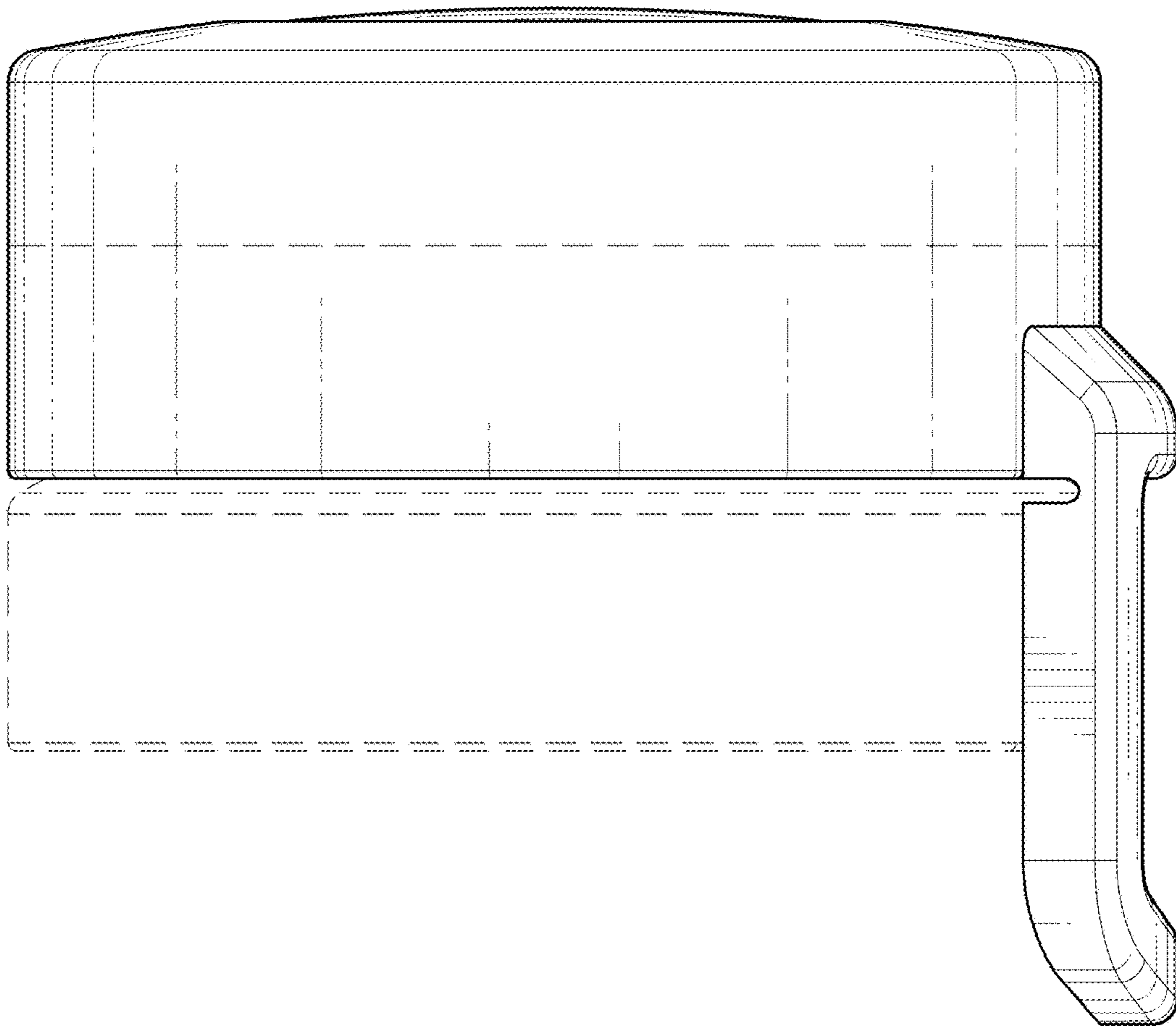


FIG. 5

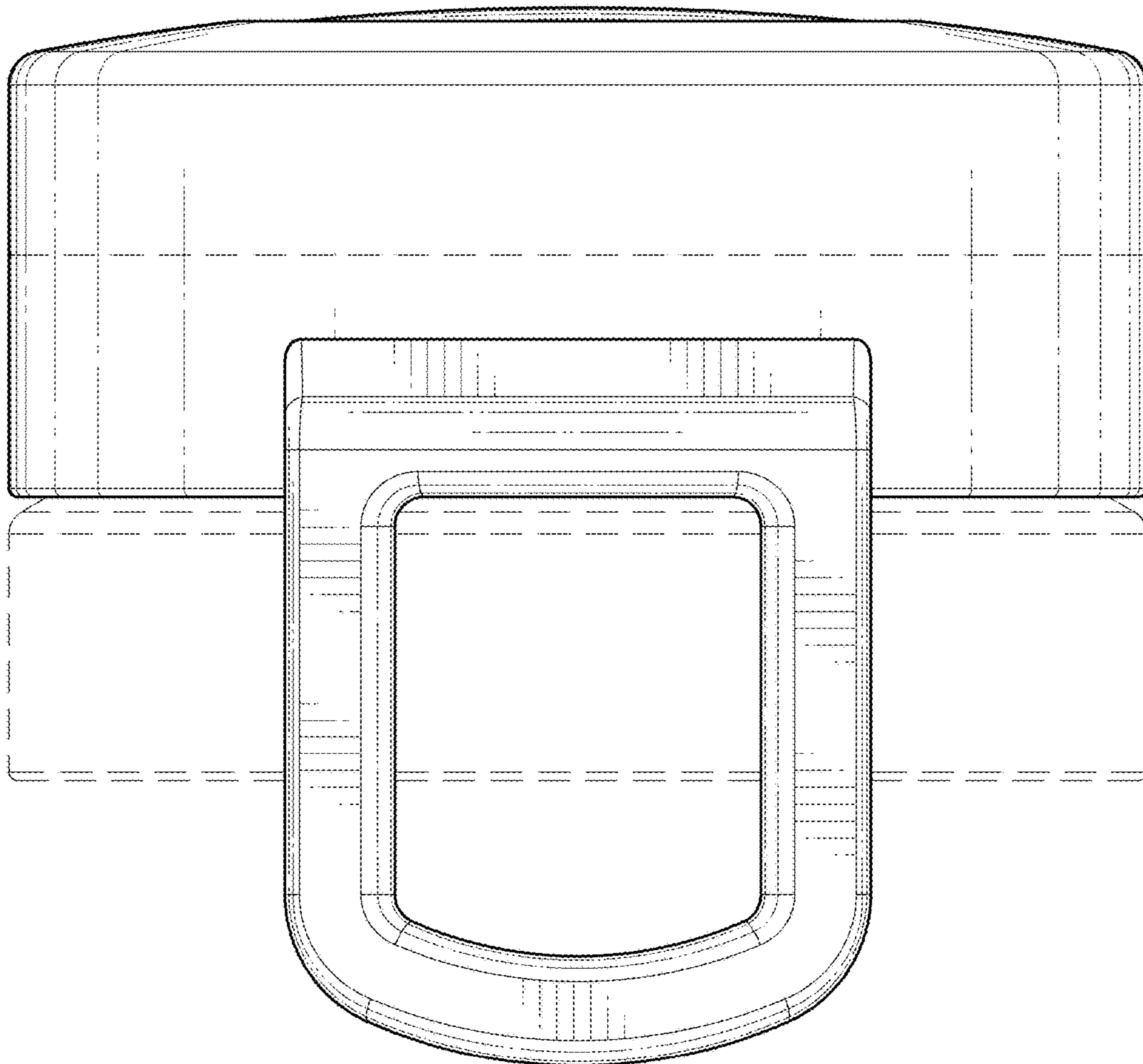


FIG. 6



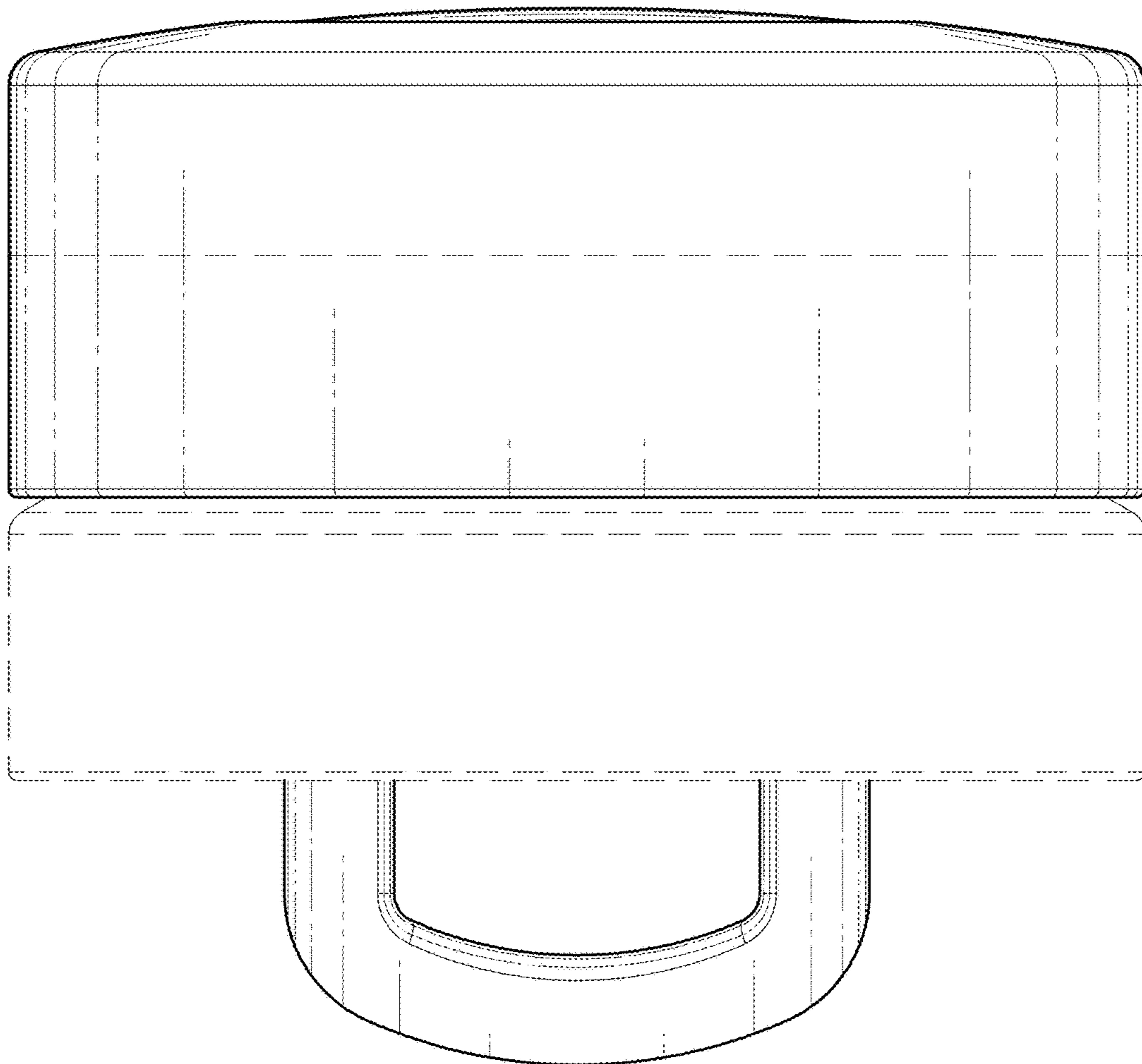


FIG. 7

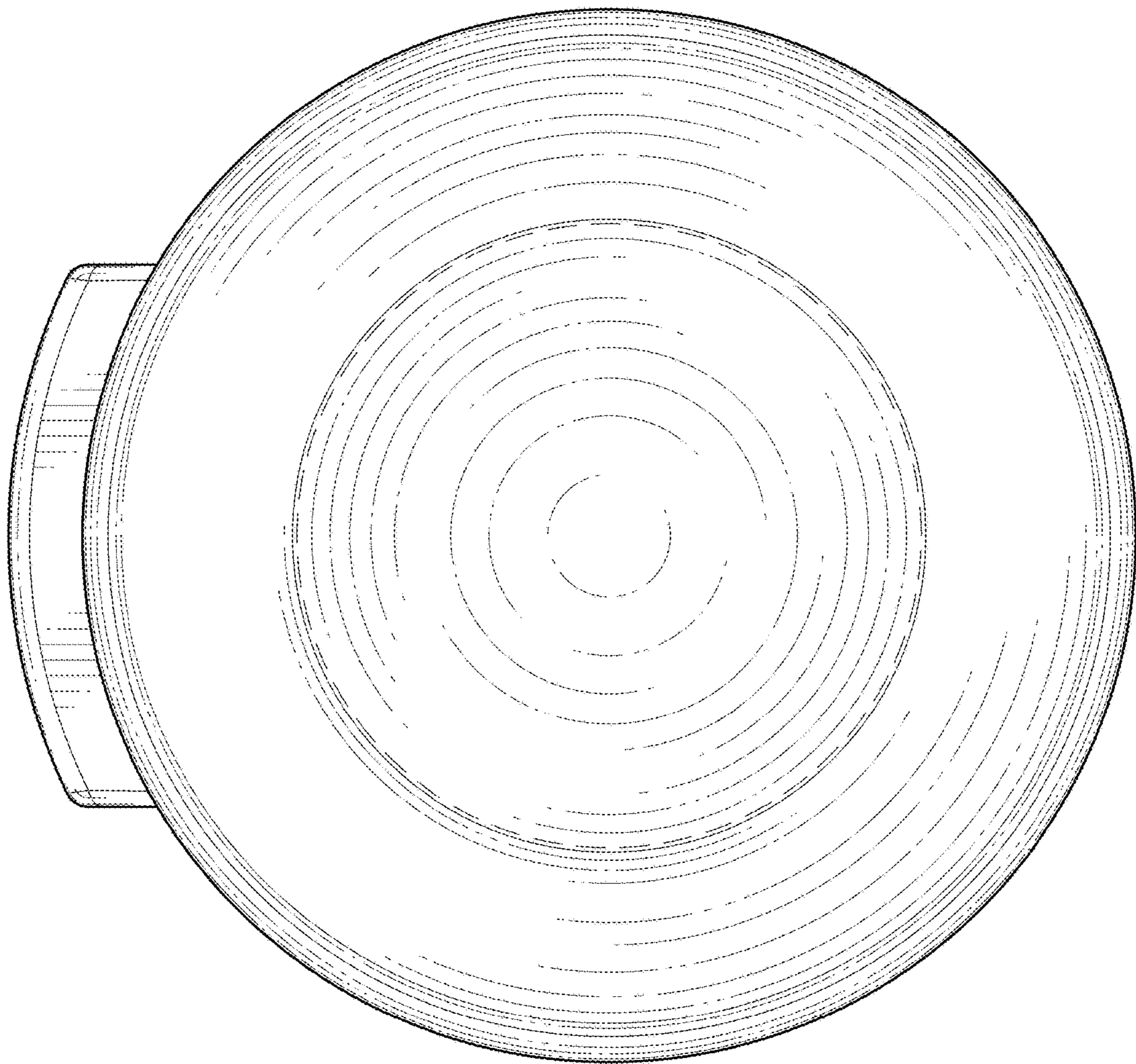


FIG. 8

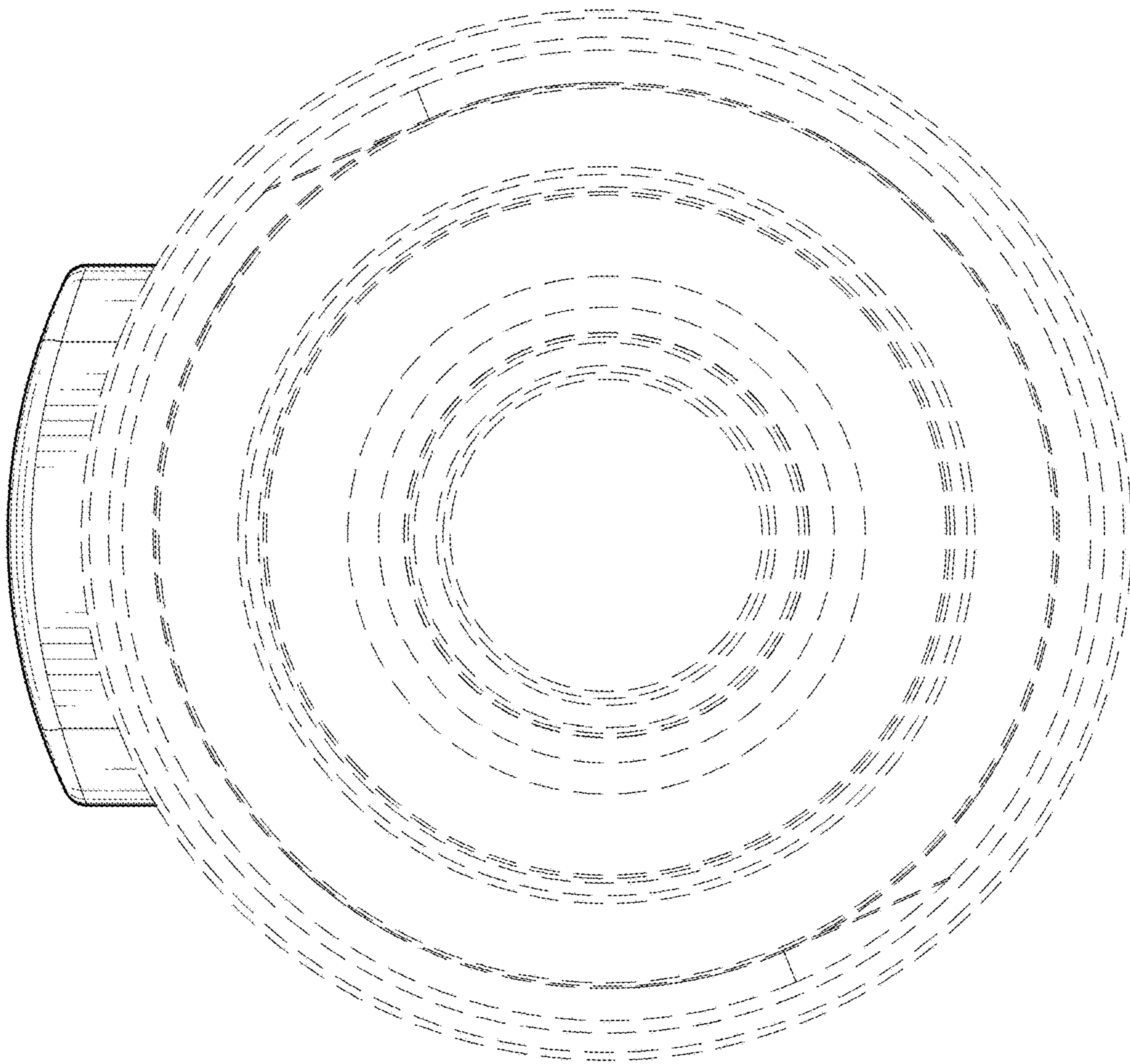


FIG. 9