



US00D822426S

(12) **United States Design Patent**
Gamble et al.

(10) **Patent No.:** **US D822,426 S**
(45) **Date of Patent:** **** Jul. 10, 2018**

(54) **FOOD WASTE DISPOSER**

(71) Applicant: **Emerson Electric Co.**, St. Louis, MO (US)

(72) Inventors: **Kelly T. Gamble**, Waterford, WI (US); **Randall E. Hammer**, Muskego, WI (US); **Walter A. Bennage**, Pleasant Prairie, WI (US); **Eric J. Schultz**, Thiensville, WI (US); **Rico A. Taylor**, Kenosha, WI (US); **Eric J. Obermeyer**, Franklin, WI (US); **Grey B. Parker**, West Bloomfield, MI (US); **David J. Byron**, Southfield, MI (US); **Evan A. Carpenter-Crawford**, Farmington Hills, MI (US)

(73) Assignee: **Emerson Electric Co.**, St. Louis, MO (US)

(**) Term: **15 Years**

(21) Appl. No.: **29/569,320**

(22) Filed: **Jun. 27, 2016**

(51) **LOC (11) Cl.** **31-00**

(52) **U.S. Cl.**
USPC **D7/375**; D7/372; D7/376

(58) **Field of Classification Search**
USPC D7/310-311, 372-386, 412-414, 619.1, D7/608, 678-679, 693; D34/39; 4/629
CPC . B02C 13/2804; B02C 18/00; B02C 18/0076; B02C 18/0084; B02C 18/0092; B02C 2013/2808; B02C 2013/2812; E03C 1/26; E03C 1/266; E03C 1/2665; E03C
(Continued)

(56) **References Cited**

U.S. PATENT DOCUMENTS

D109,972 S 6/1938 Anderson et al.
D169,626 S 5/1953 Koslo et al.

(Continued)

FOREIGN PATENT DOCUMENTS

CN 00336359.7 5/2001
CN 3255269 9/2002

(Continued)

OTHER PUBLICATIONS

In sink erator badger 444.*

(Continued)

Primary Examiner — Caron D Veynar

Assistant Examiner — Mehri F Bajoul

(74) *Attorney, Agent, or Firm* — Harness, Dickey & Pierce, P.L.C.

(57) **CLAIM**

The ornamental design for a food waste disposer, as shown and described.

DESCRIPTION

FIG. 1 is a front perspective view of a food waste disposer embodying our new design;

FIG. 2 is a rear perspective view of the food waste disposer of FIG. 1;

FIG. 3 is a front elevational view of the food waste disposer of FIG. 1;

FIG. 4 is a rear elevational view of the food waste disposer of FIG. 1;

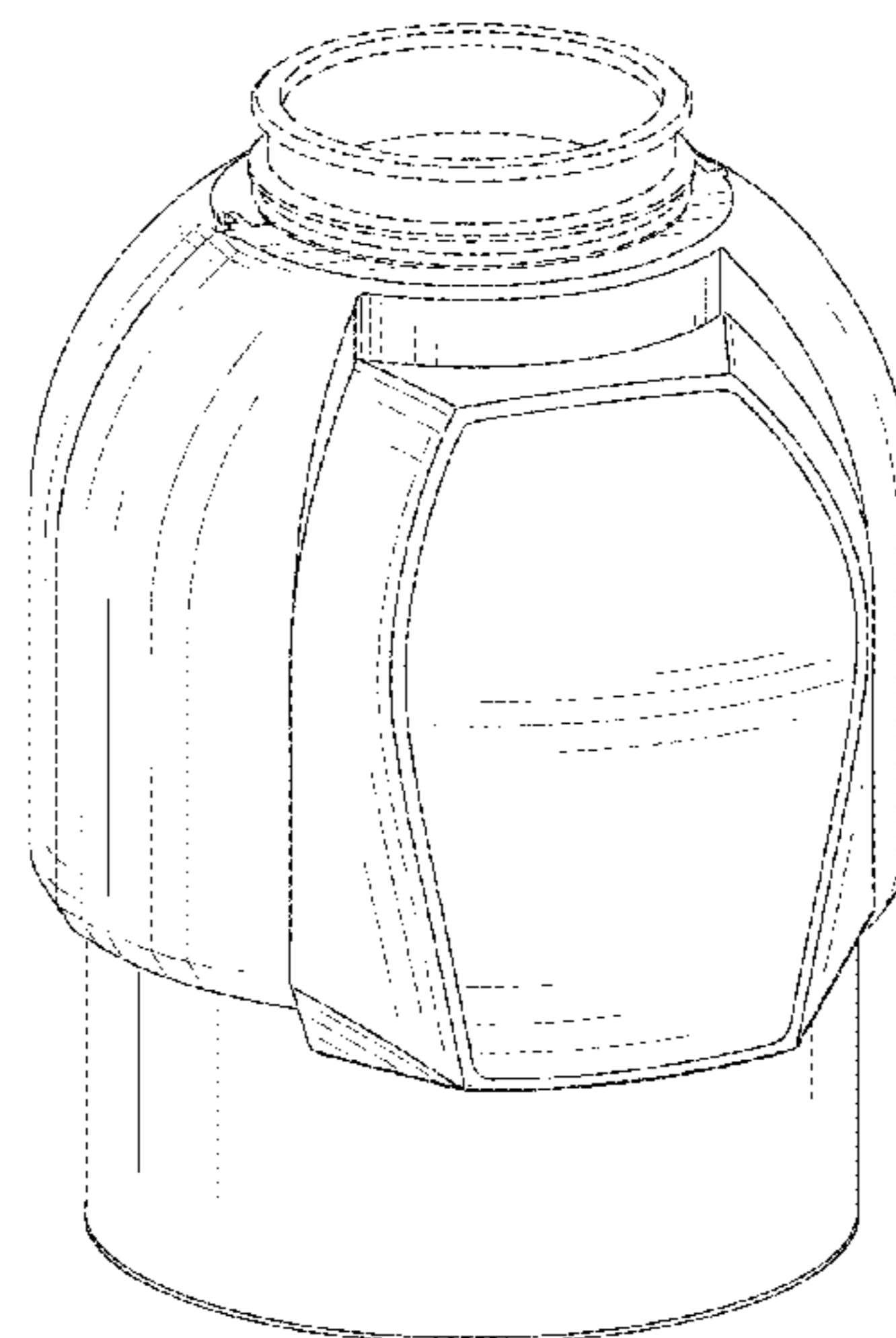
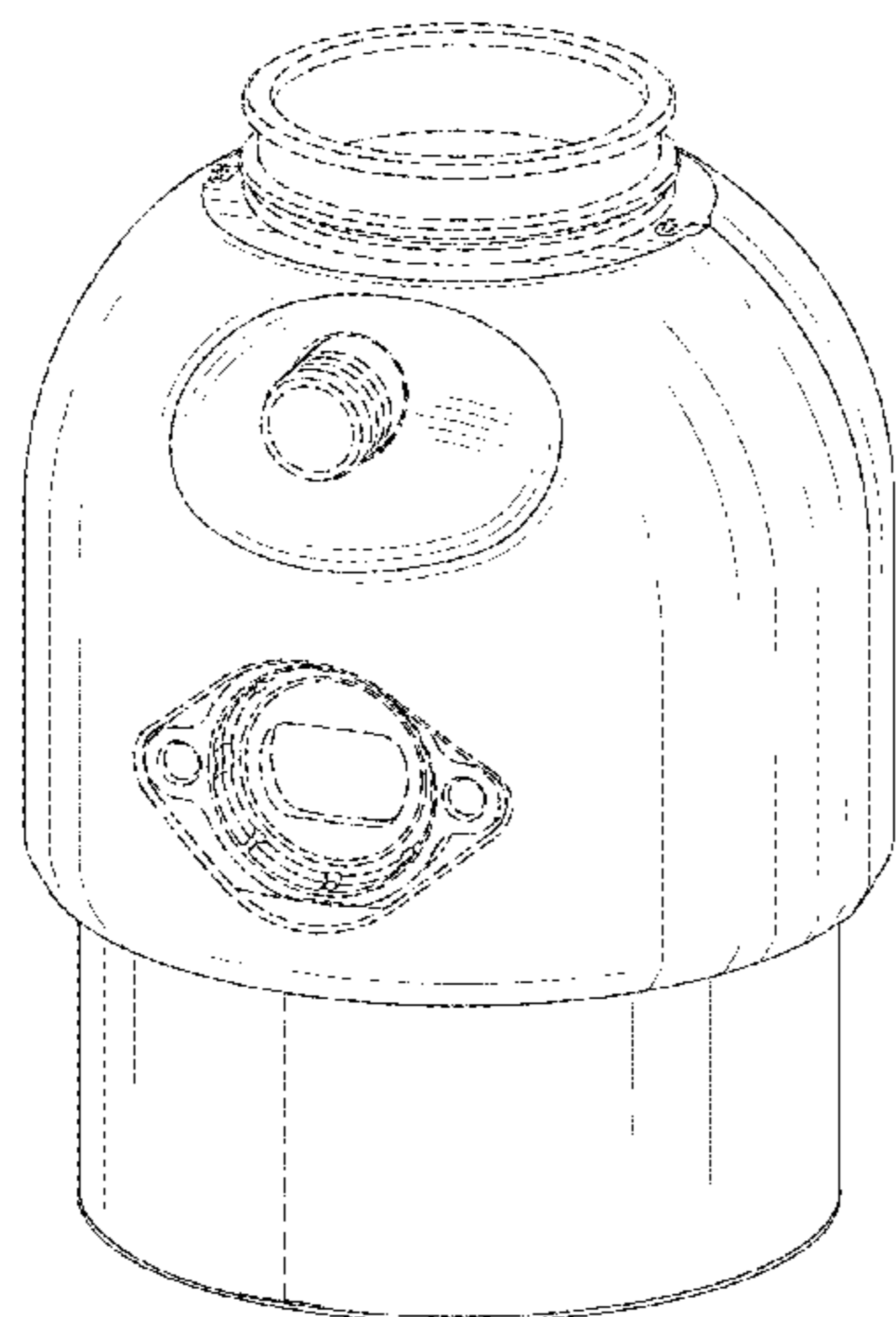
FIG. 5 is a top plan view of the food waste disposer of FIG. 1;

FIG. 6 is a bottom plan view of the food waste disposer of FIG. 1; and,

FIG. 7 is a right elevational view of the food waste disposer of FIG. 1 with the left elevational view being a mirror image thereof.

In the drawings the broken lines are included to show portions of the food waste disposer that form no part of the claimed design.

1 Claim, 4 Drawing Sheets



(58) **Field of Classification Search**
 CPC .. 1/28; E03C 1/30; E03C 1/302; E03C 1/304;
 A21C 1/02; A21C 1/04; A23N 1/00;
 A23N 1/02; A47G 19/22; A47J 43/04;
 A47J 43/25; A47J 43/27; A47J 43/042
 See application file for complete search history.

(56) **References Cited**
 U.S. PATENT DOCUMENTS

D170,874	S	11/1953	Lambert et al.	
2,750,121	A	6/1956	Schmidt et al.	
D178,854	S	9/1956	Waltman et al.	
2,965,318	A	12/1960	Jordan	
2,978,190	A	4/1961	Brucken et al.	
3,025,007	A	3/1962	Wieczorek	
3,026,050	A	3/1962	Bebinger	
3,038,172	A	6/1962	Fritz et al.	
D194,128	S	11/1962	Hawkins et al.	
3,144,213	A	8/1964	Hedlund	
3,159,354	A	12/1964	Yartz et al.	
3,163,369	A	12/1964	Hogue	
3,165,271	A	1/1965	Enright	
3,194,505	A	7/1965	Spackman	
3,213,720	A	10/1965	Wallis et al.	
3,236,462	A	2/1966	Stout	
3,246,132	A	4/1966	Jordan	
D205,750	S	9/1966	Cornelius	
D207,918	S	6/1967	Clark et al.	
3,335,969	A	8/1967	Egle et al.	
D212,127	S	8/1968	Smith et al.	
3,443,764	A	5/1969	Wetzel	
3,534,913	A	10/1970	Lawrenson	
D226,028	S	1/1973	Kennedy et al.	
3,739,992	A	6/1973	Bebinger	
3,814,333	A	6/1974	Sapienza	
3,862,720	A	1/1975	Guth	
3,875,462	A	4/1975	Kiefer et al.	
D237,299	S	10/1975	Pitts et al.	
D237,300	S	10/1975	Pitts	
D237,301	S	10/1975	Pitts	
D237,302	S	10/1975	Pitts	
D237,303	S	10/1975	Pitts	
D237,304	S	10/1975	Pitts	
D237,305	S	10/1975	Pitts	
D237,306	S	10/1975	Pitts	
4,128,210	A	12/1978	Brenner et al.	
4,134,555	A	1/1979	Rosselet	
D253,157	S *	10/1979	Dziekonski	D7/372
4,717,031	A	1/1988	Hewson	
D320,326	S *	10/1991	Barrault	D7/372
D331,170	S *	11/1992	Greiner	D7/382
D344,657	S	3/1994	Knopp	
5,340,036	A	8/1994	Riley	
D374,959	S	10/1996	Mull	
5,577,673	A	11/1996	McMurphy et al.	
5,795,062	A	8/1998	Johnson	
5,856,173	A	1/1999	Riley et al.	
D406,154	S *	2/1999	Copland	D15/82
6,007,006	A	12/1999	Engel et al.	
D419,362	S	1/2000	Bouhuys	
D426,421	S *	6/2000	Hirsch	D7/375
D430,987	S *	9/2000	Brandel	D7/375
D431,153	S *	9/2000	Brandel	D7/375
D431,751	S	10/2000	Cahen	
D431,752	S	10/2000	Brandel et al.	
D436,496	S	1/2001	Anderson et al.	
D443,792	S	6/2001	Peters et al.	
D451,755	S	12/2001	Brandel et al.	
D452,110	S	12/2001	Brandel et al.	
D454,467	S	3/2002	Magermans et al.	
D455,603	S *	4/2002	Brandel	D7/372
D455,604	S *	4/2002	Brandel	D7/375
6,439,487	B1	8/2002	Anderson et al.	
6,481,652	B2	11/2002	Strutz et al.	
D474,365	S	5/2003	Valentino	
D486,797	S	2/2004	Anderson et al.	

6,783,034	B1	8/2004	Brent	
D501,372	S *	2/2005	Lo	D7/372
D502,358	S *	3/2005	Weaden	D7/378
D510,238	S *	10/2005	Yen	D7/378
7,048,213	B2	5/2006	Strutz et al.	
7,100,850	B2	9/2006	Farmerie	
D534,760	S *	1/2007	Patterson	D7/375
D534,761	S *	1/2007	Patterson	D7/375
D535,142	S *	1/2007	Patterson	D7/375
D535,518	S *	1/2007	Patterson	D7/375
D535,850	S *	1/2007	Patterson	D7/375
D536,211	S	2/2007	Jara-Almonte et al.	
D537,673	S	3/2007	Anderson et al.	
D539,078	S	3/2007	Anderson et al.	
D542,594	S	5/2007	Jara-Almonte et al.	
D542,595	S	5/2007	Jara-Almonte et al.	
7,331,539	B2	2/2008	Jara-Almonte et al.	
D588,862	S *	3/2009	Saeed	D7/375
D593,354	S	6/2009	Romandy	
7,578,460	B2	8/2009	Berger	
7,654,480	B2	2/2010	Baer et al.	
7,918,411	B2	4/2011	Anderson et al.	
7,963,469	B2	6/2011	Hanson	
7,971,810	B2	7/2011	Hirsch et al.	
D654,302	S	2/2012	Shepherd	
8,146,843	B2	4/2012	Ye et al.	
8,220,731	B2	7/2012	Berger et al.	
D684,003	S *	6/2013	Bennage	D7/375
D684,004	S	6/2013	Koparde et al.	
D684,005	S *	6/2013	Mahale	D7/375
D706,572	S *	6/2014	Gamble	D7/375
D716,102	S *	10/2014	Morales	D7/608
D722,215	S *	2/2015	Sonzogni	D34/39
D725,864	S	3/2015	Sonzogni	
D728,302	S *	5/2015	Vu	D7/378
D730,681	S *	6/2015	Smith	D7/376
9,175,461	B2	11/2015	Bewley, Jr.	
D744,291	S *	12/2015	Shah	D7/313
D749,893	S *	2/2016	Bazzicalupo	D7/376
D752,839	S *	3/2016	Lehman	D34/39
D753,433	S *	4/2016	Gamble	D7/375
D780,505	S *	3/2017	Gamble	D7/375
D782,865	S *	4/2017	Bazzicalupo	D7/376
D782,866	S *	4/2017	Suess	D7/376
D787,893	S *	5/2017	Seiders	D7/608
D787,894	S *	5/2017	Seiders	D7/608
2002/0104909	A1	8/2002	Strutz	
2002/0170990	A1	11/2002	Anderson et al.	
2004/0256506	A1	12/2004	Berger	

FOREIGN PATENT DOCUMENTS

CN	3306017	7/2003
CN	3358455	3/2004
CN	3466796	8/2005
CN	301123447	1/2010
CN	301456820	2/2011
CN	301456821	2/2011
CN	301464004	2/2011
JP	S63-248988 A	10/1988

OTHER PUBLICATIONS

In sink erator—555 SS.*
 In sink erator—777 SS.*
 Badger .5 Plus—In sink erator.*
 Contractor 333.*
 Evergrind E303.*
 Evergrind E404.*
 Waste King 2600—1/2 HP.*
 In sink erator badger 444-.*
 In sink erator-555 SS, “Admitted as prior art”.*
 In sink erator-777 SS, “Admitted as prior art”.*
 Badger .5 Plus- In sink erator, “Admitted as prior art”.*
 Contractor 333, “Admitted as prior art”.*
 Evergrind E303, “Admitted as prior art”.*
 Evergrind E404, “Admitted as prior art”.*

(56)

References Cited

OTHER PUBLICATIONS

Waste King 2600- 1/2 HP, "Admitted as prior art".*

Insinkerator—"The Practical Idea That Built a Powerful Brand",
Emerson Appliance Solutions—© 2008.

ShinMaywa Corporation DH150SW, Dec. 1, 2003.

White Westinghouse International Series Heavy-Duty Food Waste
Disposer, Dec. 2006.

GFC1000Y Spec Sheet, Jul. 1997.

GFC700Y Spec Sheet, Jul. 1997.

GFC705Y Spec Sheet, Jul. 1997.

GFC300Y Product Brochure, Jun. 2000.

GFC800Y Spec Sheet, Jul. 1997.

GFC290Y Spec Sheet, Jul. 1997.

GFC295Y Product Brochure, Jun. 2000.

GFB1050V Spec Sheet, Mar. 1996.

* cited by examiner

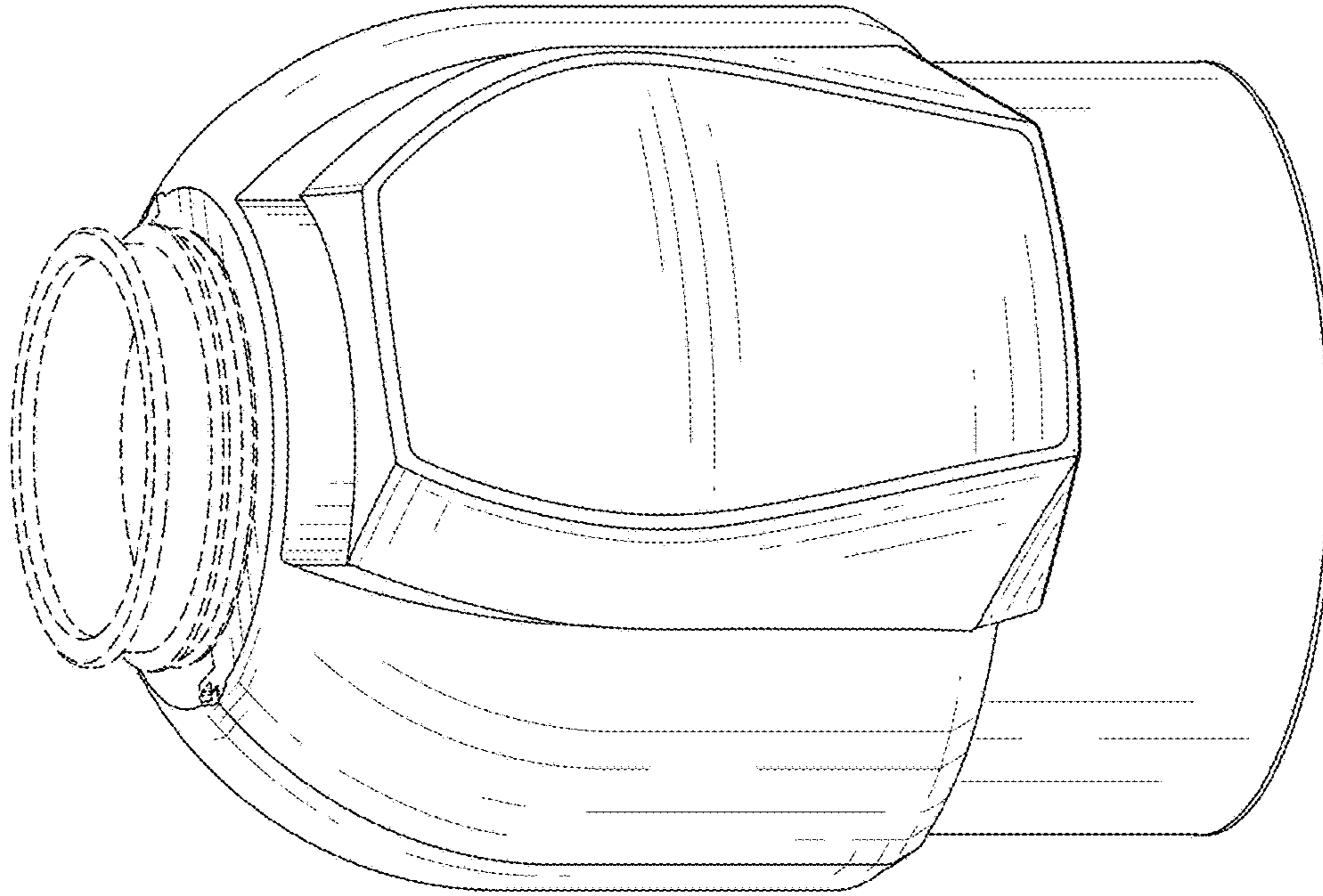


Fig. 2

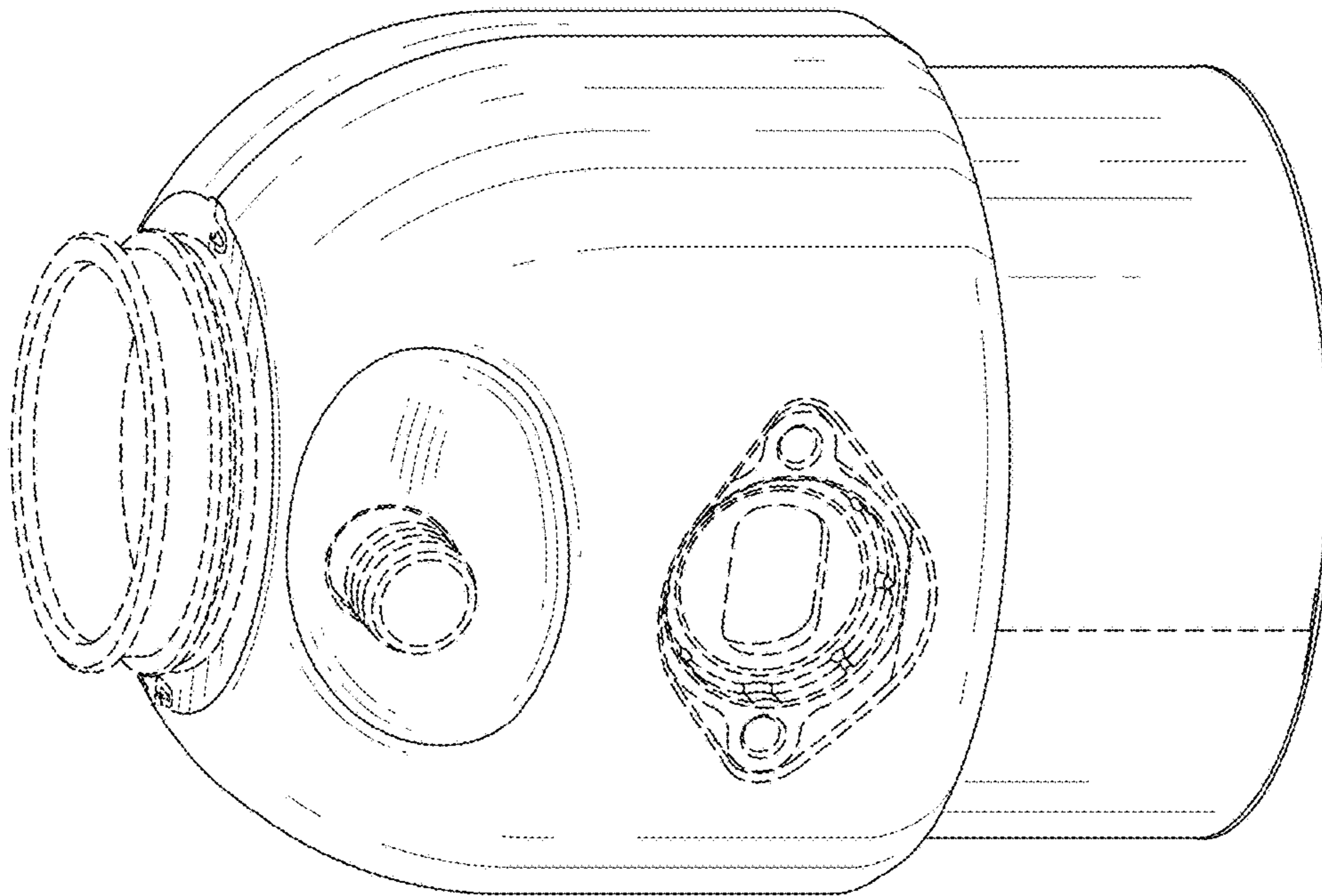


Fig. 1

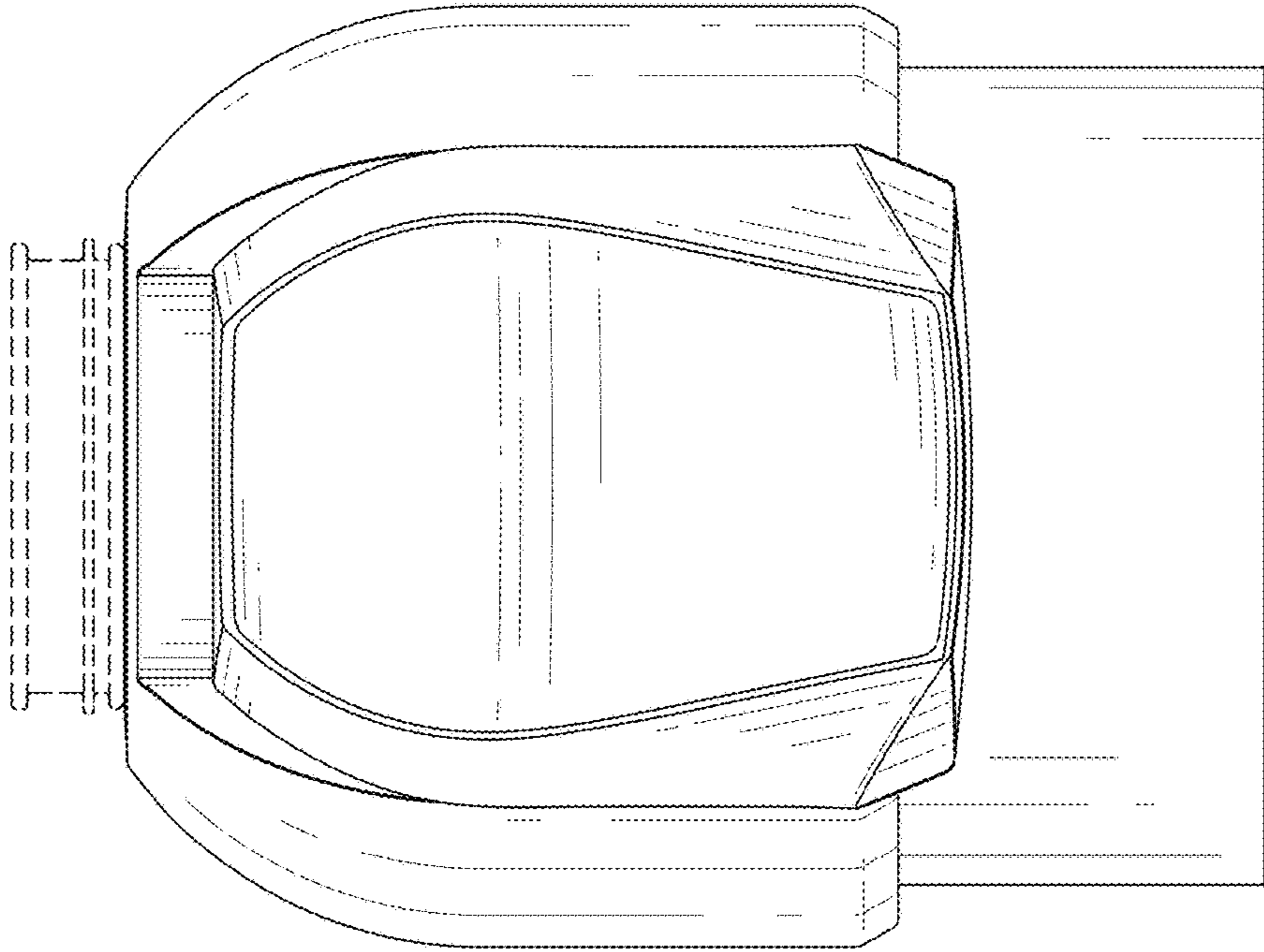


Fig. 4

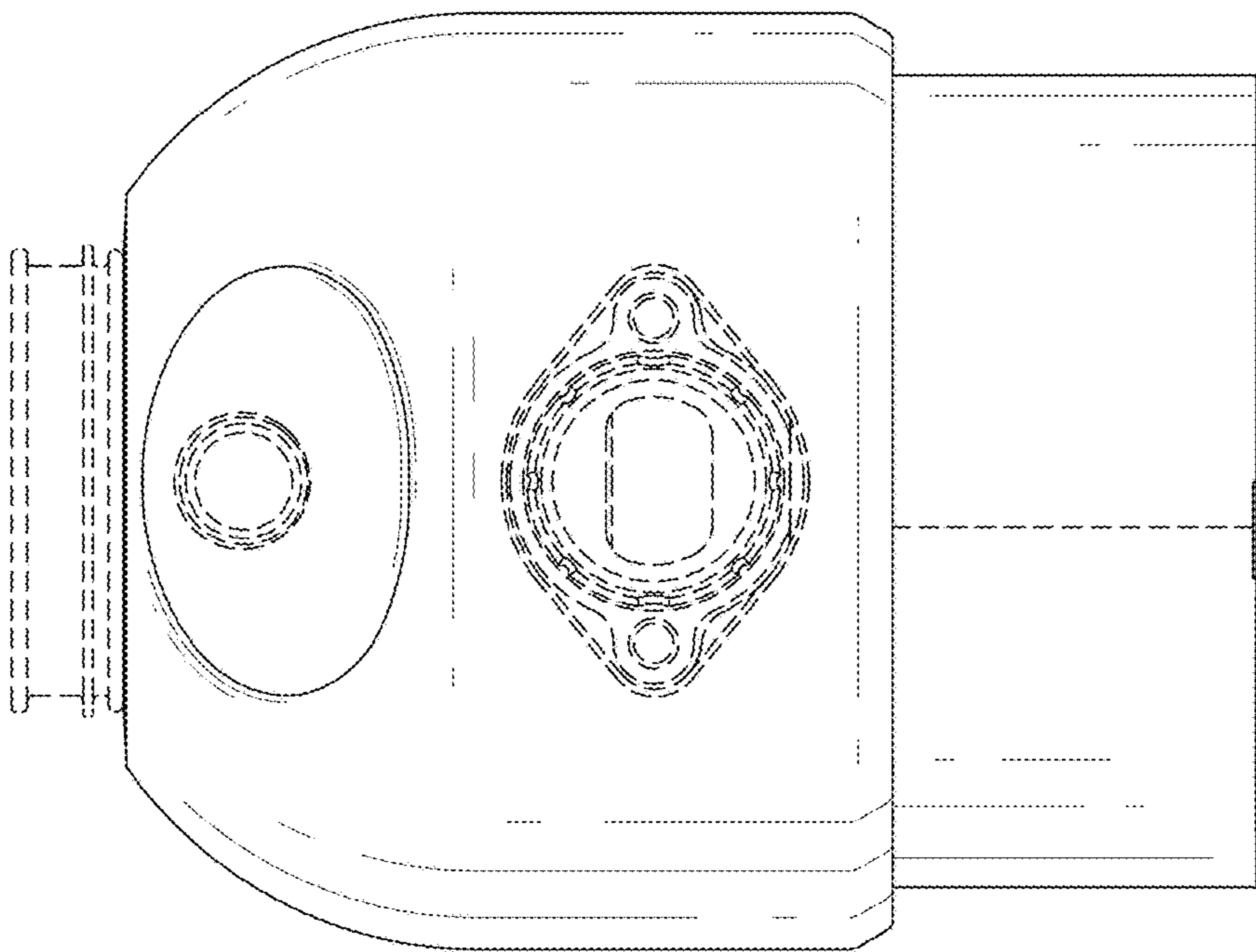


Fig. 3

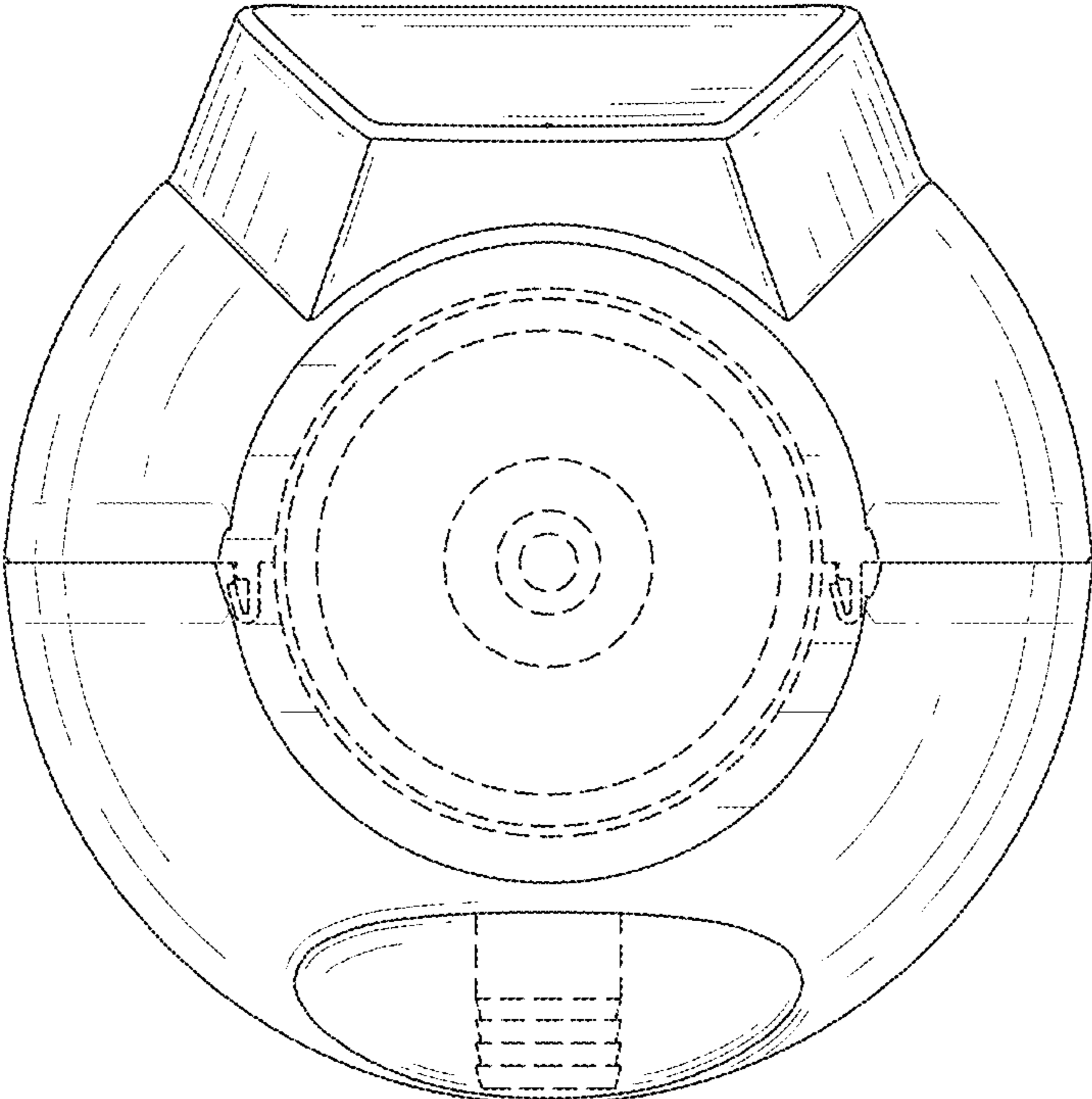


Fig. 5

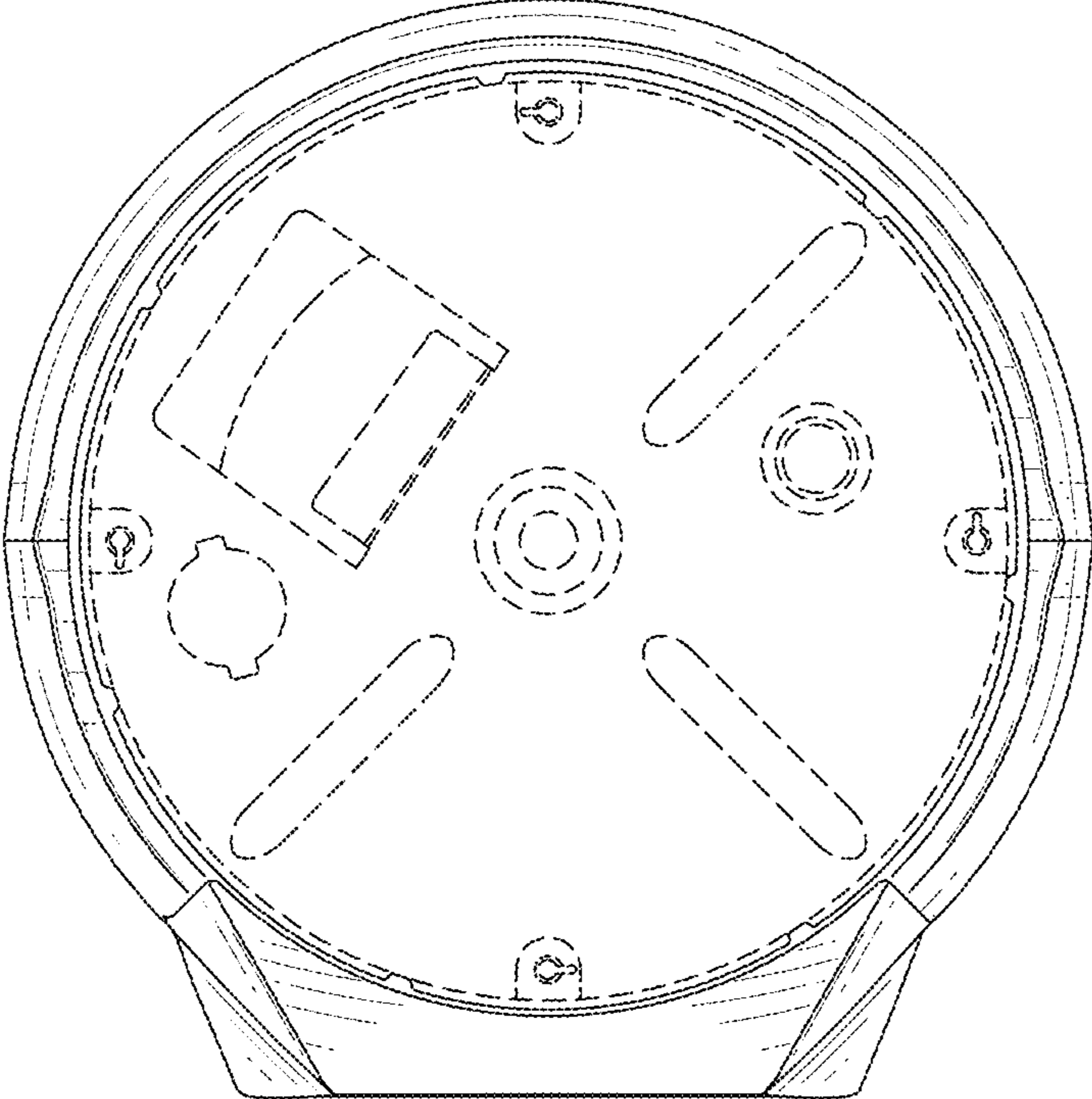


Fig. 6

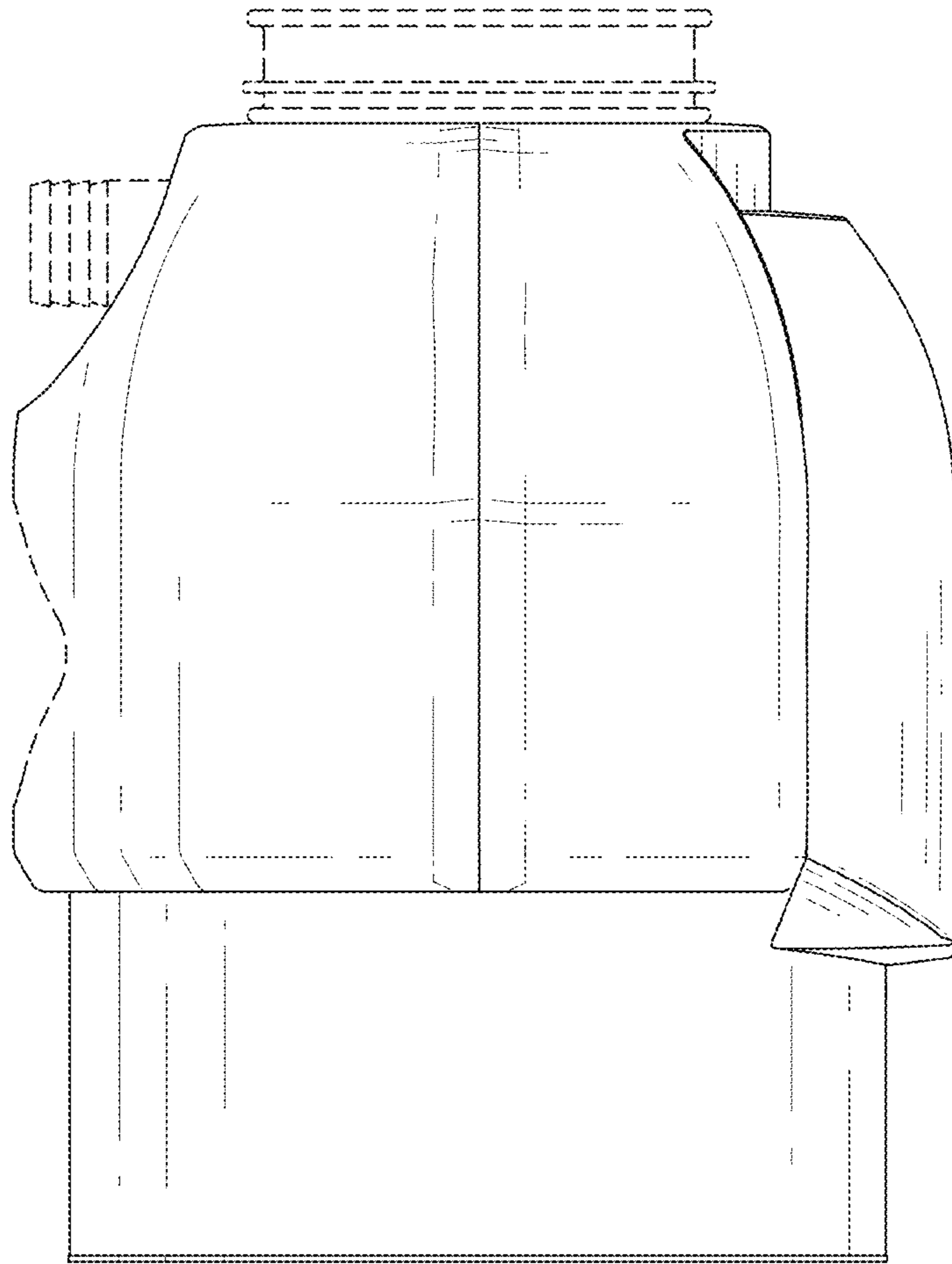


Fig. 7