



US00D822425S

(12) **United States Design Patent**
Menicanin et al.

(10) **Patent No.:** **US D822,425 S**
(45) **Date of Patent:** **** Jul. 10, 2018**

- (54) **PAN**
- (71) Applicant: **Thane IP Limited**, London (GB)
- (72) Inventors: **Nina Menicanin**, Toronto (CA);
Jelenko Piksa, Toronto (CA)
- (73) Assignee: **Thane IP Limited**, London (GB)
- (**) Term: **15 Years**
- (21) Appl. No.: **29/614,052**
- (22) Filed: **Aug. 15, 2017**
- (51) **LOC (11) Cl.** **07-02**
- (52) **U.S. Cl.**
USPC **D7/359**; D7/354
- (58) **Field of Classification Search**
USPC D7/323, 354–361, 402, 543, 545, 549,
D7/550.1, 553.1–553.8, 554.1–554.4, 555,
D7/584, 586, 667; D9/430–433,
D9/455–456, 737, 756–762
CPC A21B 3/00; A21B 3/13; A21B 3/15; A21B
3/134; A21B 5/00; A21B 5/02; A47J
36/022; A47J 36/025; A47J 36/027; A47J
37/00; A47J 37/04; B65D 1/22; B65D
1/24; B65D 1/34; B65D 1/36; B65D
81/343; B65D 85/36
See application file for complete search history.

- (56) **References Cited**
U.S. PATENT DOCUMENTS
D377,883 S * 2/1997 Candianides D7/361
D458,797 S * 6/2002 Kellermann D7/360
D470,711 S * 2/2003 Kloppsteck D7/359

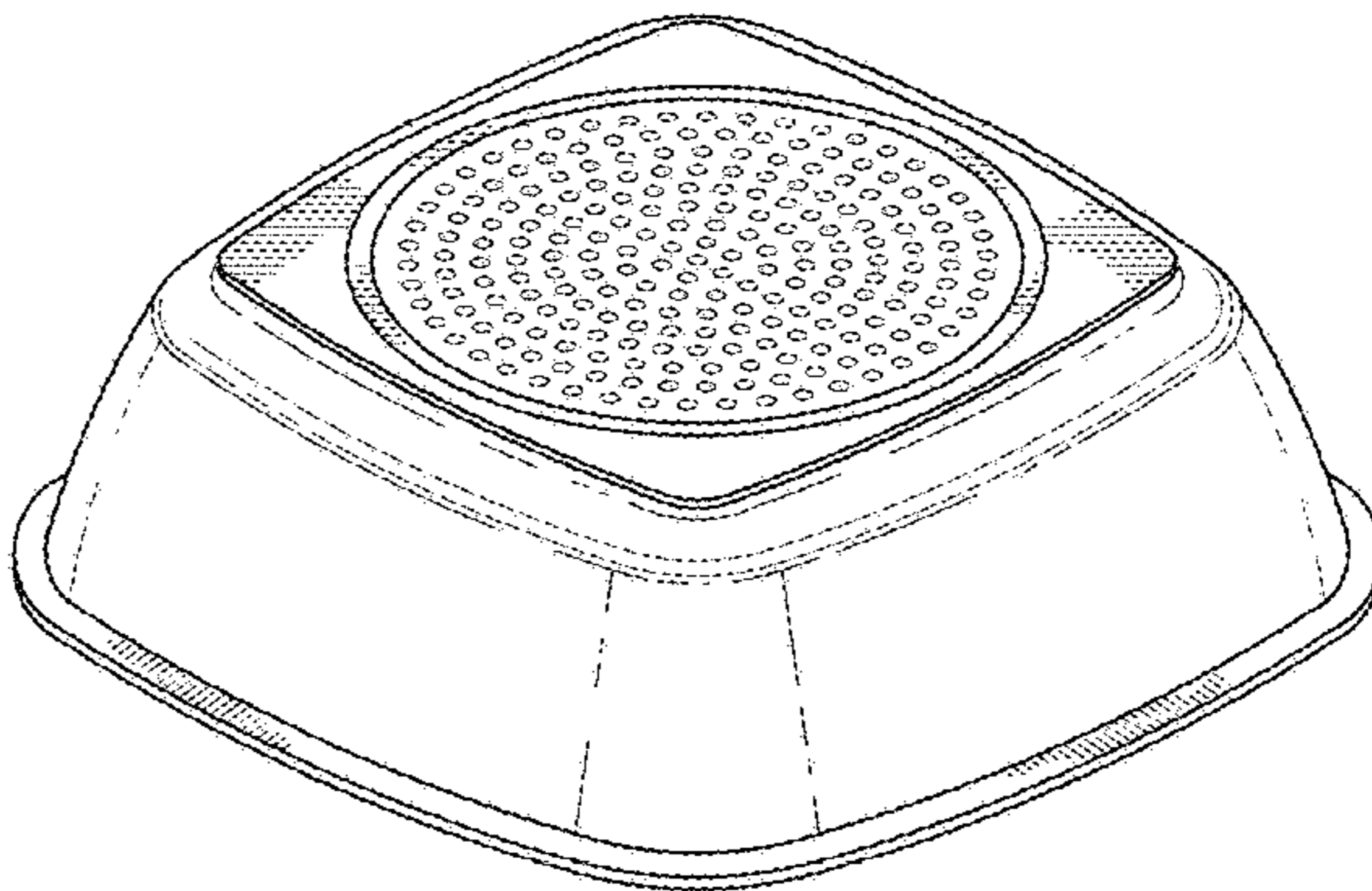
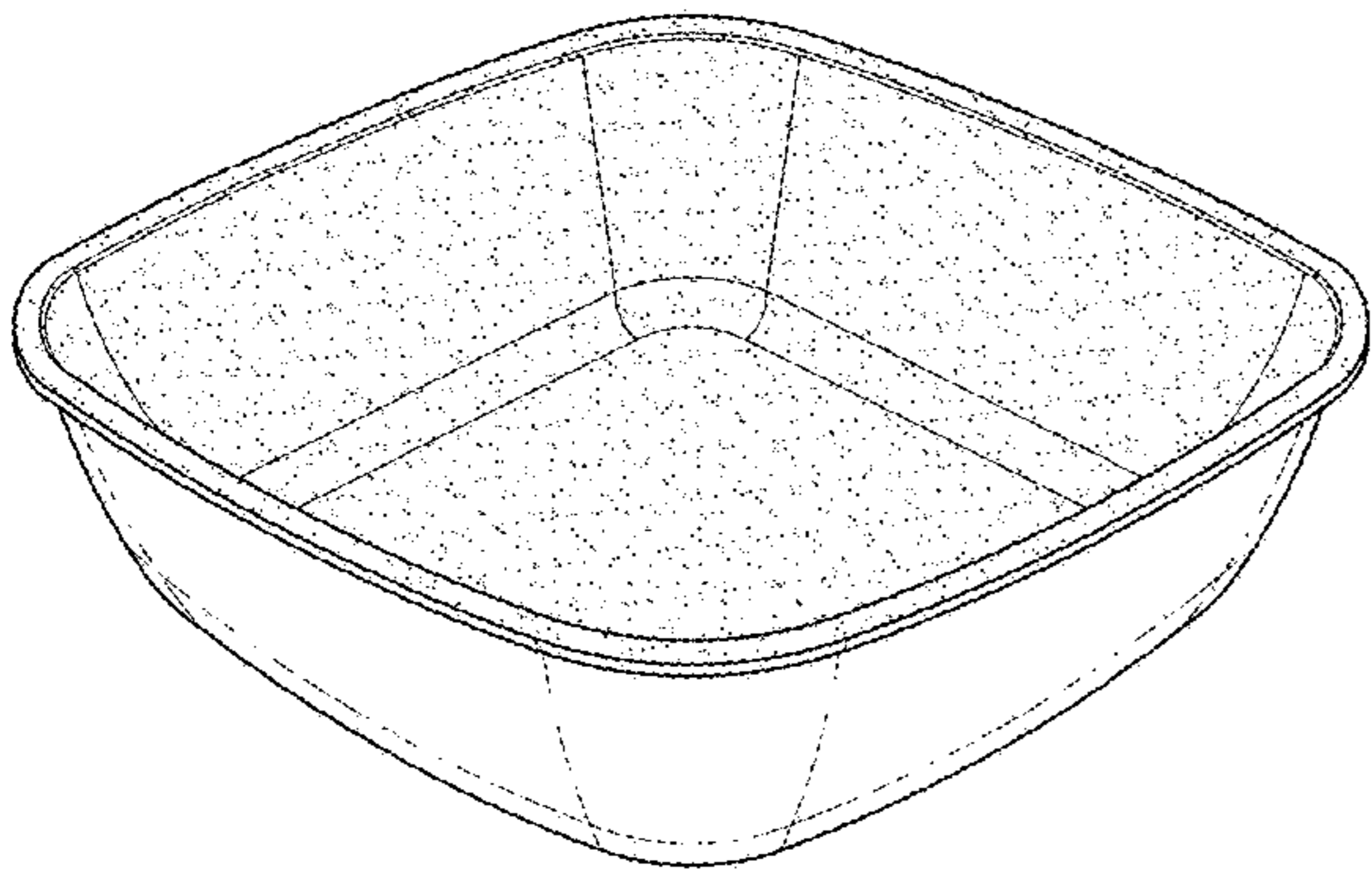
- D614,445 S * 4/2010 Ferron D7/354
- D627,193 S * 11/2010 Marin D7/354
- D641,217 S * 7/2011 Chen D7/667
- D664,000 S * 7/2012 Moulin D7/354
- D697,751 S * 1/2014 Schleinzer D7/354
- D766,647 S * 9/2016 Calkins D7/354
- D772,641 S 11/2016 Mirchandani et al.
- D778,103 S 2/2017 Mirchandani et al.
- D778,664 S 2/2017 Mirchandani et al.
- D790,909 S * 7/2017 Mirchandani D7/354
- D791,529 S * 7/2017 Mirchandani D7/354
- D797,491 S * 9/2017 Mirchandani D7/354
- D797,494 S * 9/2017 Mirchandani D7/354

* cited by examiner
Primary Examiner — Ricky Pham
(74) *Attorney, Agent, or Firm* — Intellectual Property
Law Offices of Joel Voelzke, APC

(57) **CLAIM**
The ornamental design for a pan, as shown and described.

DESCRIPTION
FIG. 1 is an oblique top view of a pan, showing our new design;
FIG. 2 is an oblique bottom view thereof;
FIG. 3 is a side elevation view thereof showing the front of the pan; the back of the pan is identical to the side shown in FIG. 3;
FIG. 4 is side elevation view thereof, showing the right side of the pan; the left side of the pan is identical to the side shown in FIG. 4;
FIG. 5 is a top plan view thereof; and,
FIG. 6 is a bottom plan view thereof.

1 Claim, 4 Drawing Sheets



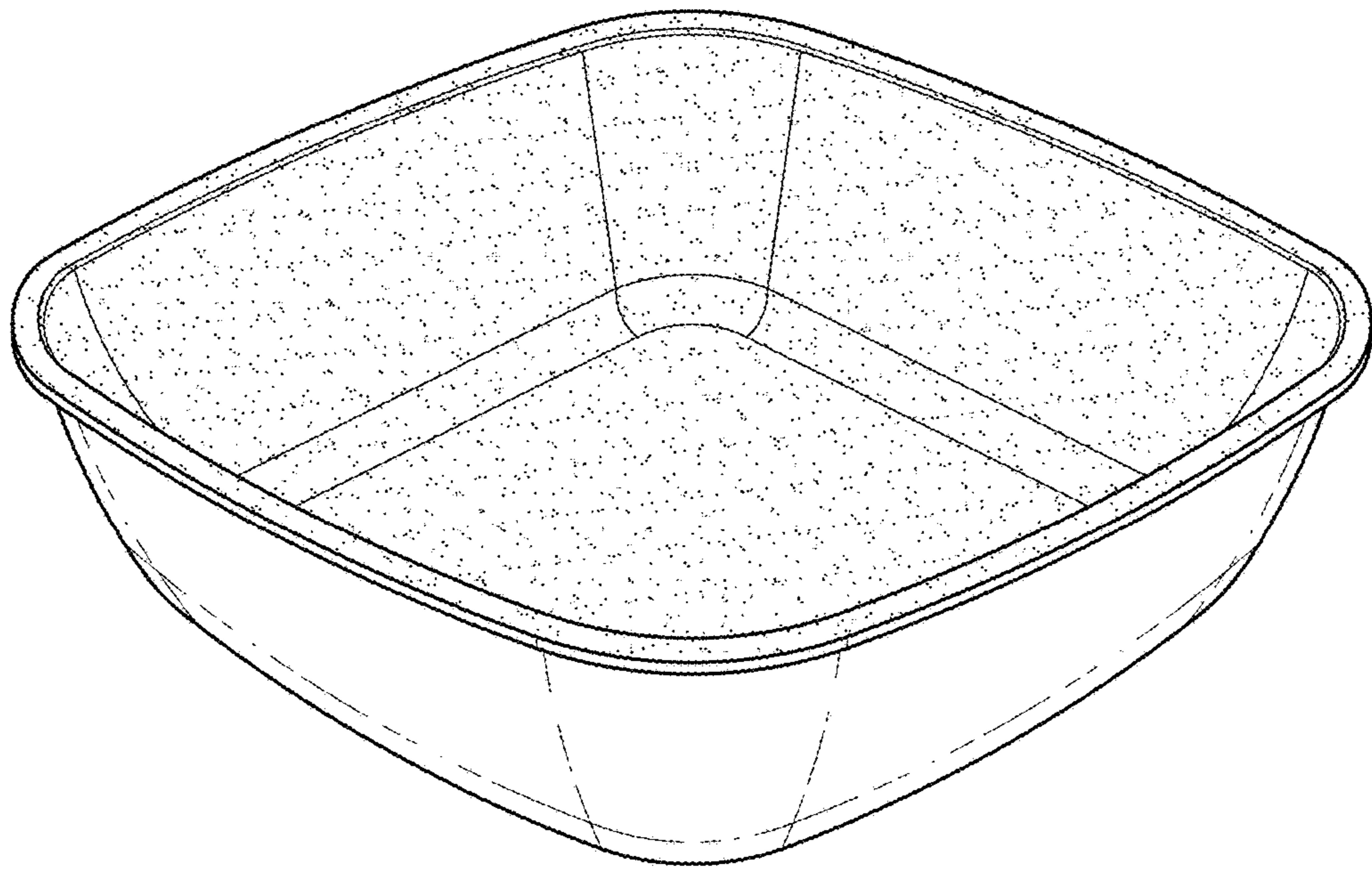


FIG. 1

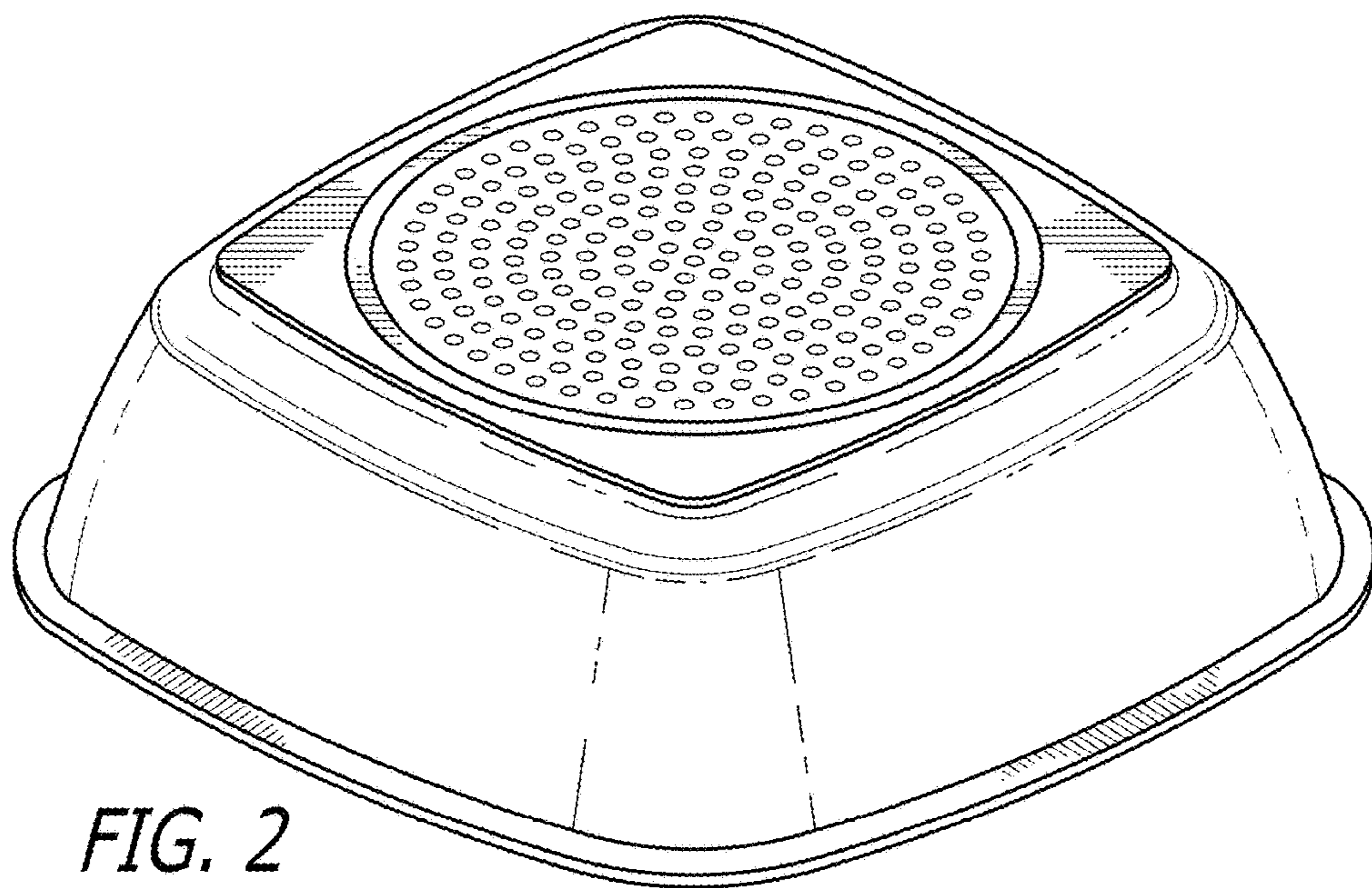


FIG. 2

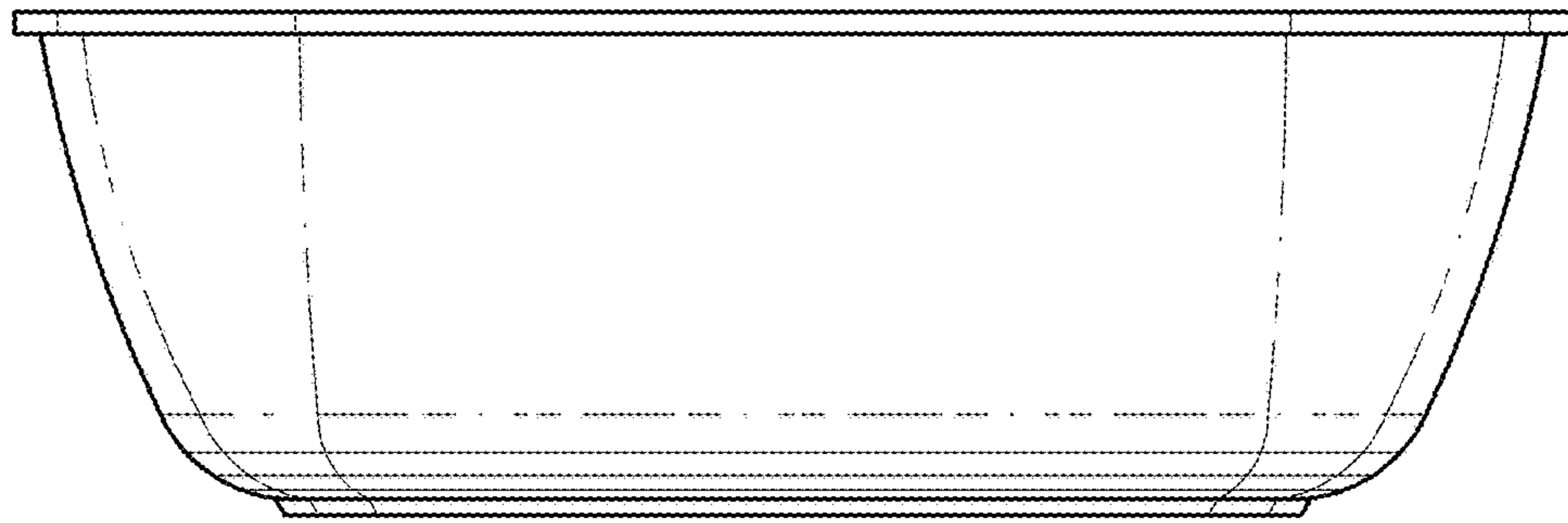


FIG. 3

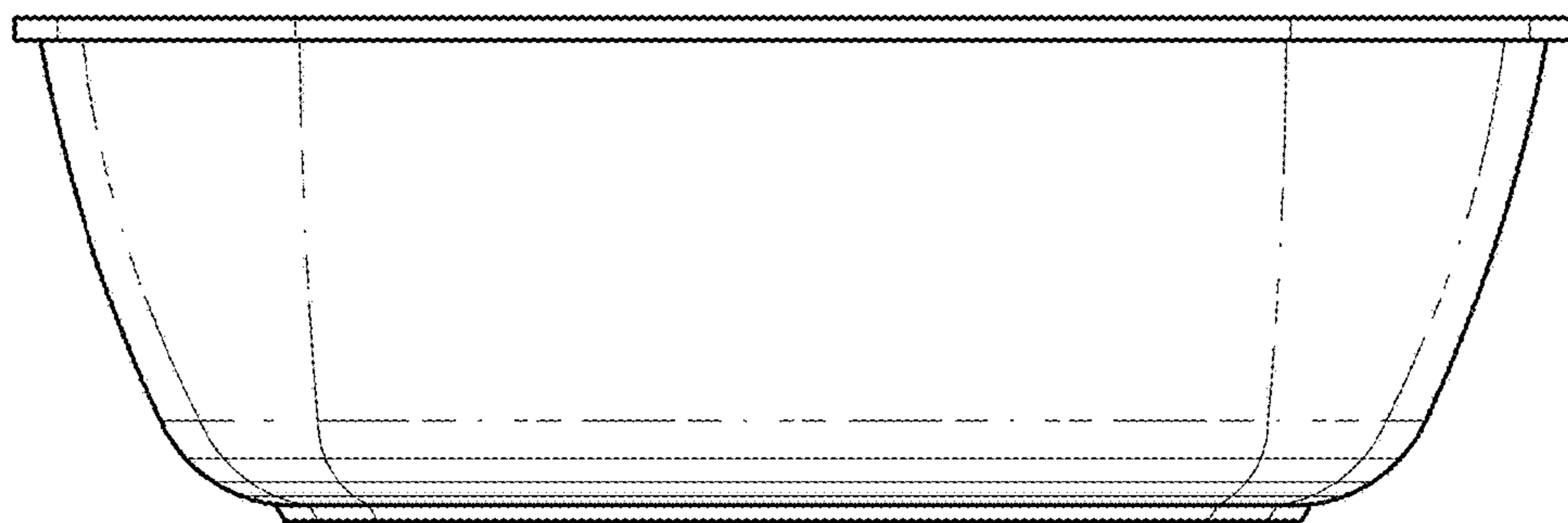


FIG. 4

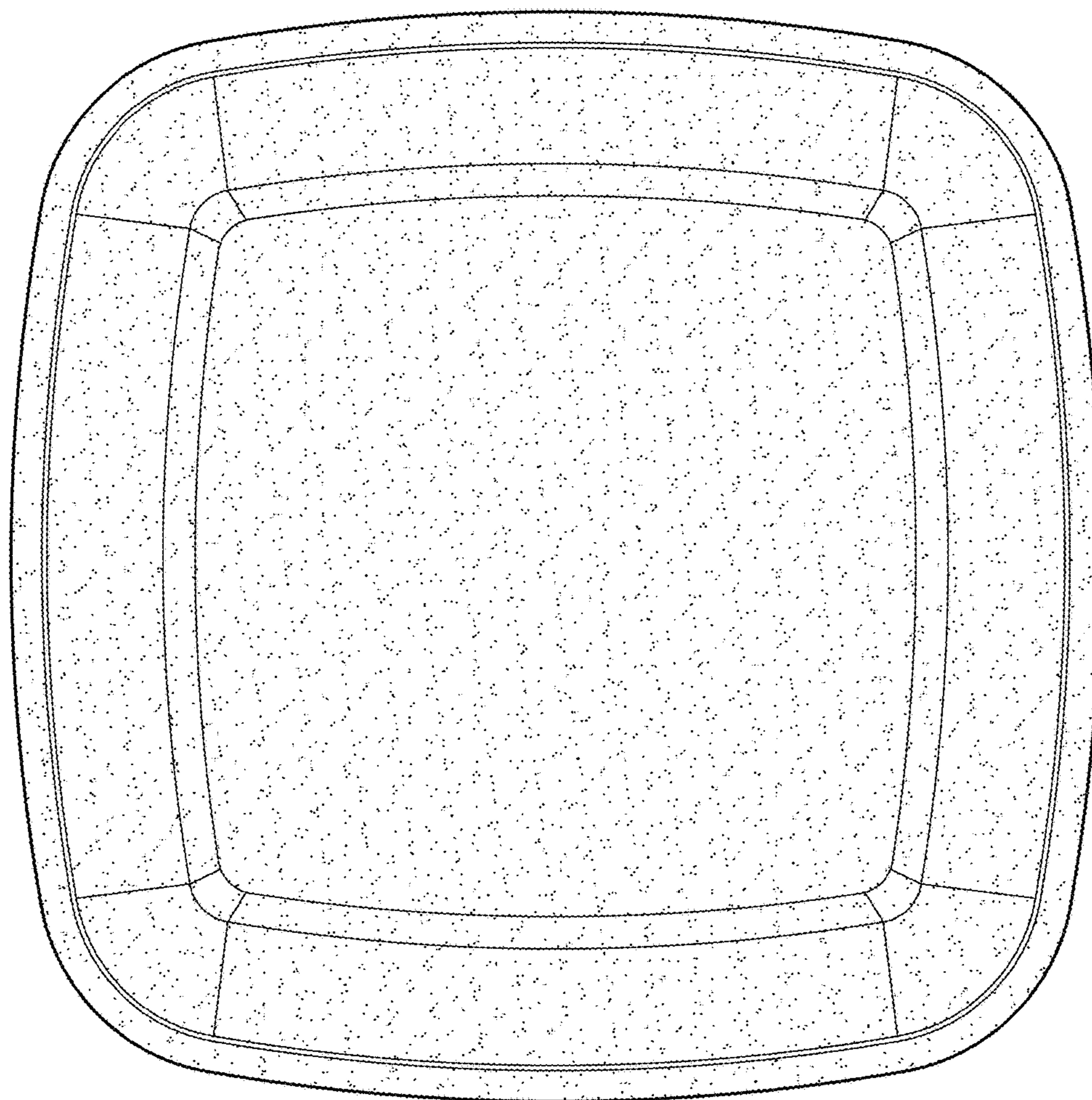


FIG. 5

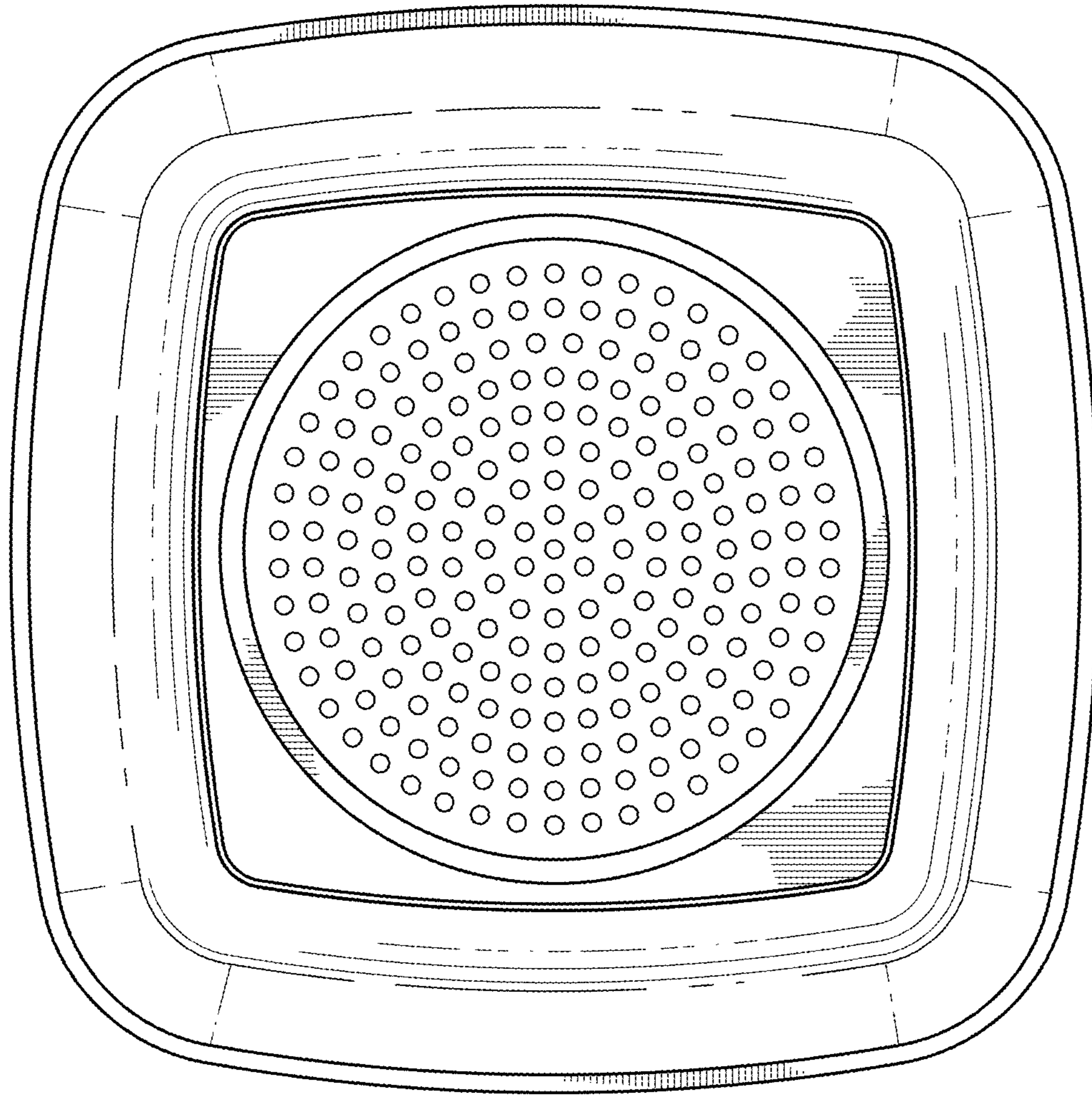


FIG. 6