



US00D822423S

(12) **United States Design Patent** (10) **Patent No.:** **US D822,423 S**
Demars et al. (45) **Date of Patent:** **** Jul. 10, 2018**

- (54) **BARBEQUE GRILL**
- (71) Applicants: **Robert Demars**, San Clemente, CA (US); **Alan Crawford**, Burbank, CA (US); **Takuya Idehara**, South Pasadena, CA (US); **Jim Keen**, Thousand Oaks, CA (US); **Spencer Mackay**, Agoura Hills, CA (US)
- (72) Inventors: **Robert Demars**, San Clemente, CA (US); **Alan Crawford**, Burbank, CA (US); **Takuya Idehara**, South Pasadena, CA (US); **Jim Keen**, Thousand Oaks, CA (US); **Spencer Mackay**, Agoura Hills, CA (US)
- (73) Assignee: **ORIGINAL IDEAS, INC.**, San Clemente, CA (US)
- (**) Term: **15 Years**
- (21) Appl. No.: **29/589,605**
- (22) Filed: **Jan. 3, 2017**
- (51) **LOC (11) Cl.** **07-02**
- (52) **U.S. Cl.**
USPC **D7/334**
- (58) **Field of Classification Search**
USPC D7/332-337, 354, 402, 403
CPC A47J 37/0704; A47J 37/0786; A47J 37/0763; A47J 37/0713; A47J 37/0781; A47J 33/00; F24C 15/12; F24C 15/18
See application file for complete search history.

5,906,193 A	5/1999	Leach et al.	
D420,243 S *	2/2000	Samaras	D7/332
D463,196 S	9/2002	Hsu	
D463,949 S *	10/2002	Pai	D7/334
D615,807 S *	5/2010	Creel	D7/354
D668,096 S *	10/2012	Simms, II	D7/334
D684,416 S *	6/2013	Keiser	D7/334
D714,090 S *	9/2014	Harper	D7/334
9,237,828 B2	1/2016	Walters et al.	
9,380,910 B1	7/2016	Noel	
2006/0054158 A1	3/2006	Nash	
2009/0308373 A1	12/2009	Scott et al.	
2010/0258105 A1	10/2010	Simms	
2010/0258106 A1 *	10/2010	Simms, II	A47J 37/0704 126/25 R
2011/0283990 A1 *	11/2011	Walters	A47J 37/0704 126/25 R
2016/0029840 A1	2/2016	Walters et al.	
2016/0220066 A1 *	8/2016	Roberts	A47J 37/0786

* cited by examiner

Primary Examiner — Susan B Hattan
Assistant Examiner — Brett Miller
 (74) *Attorney, Agent, or Firm* — Cislo & Thomas, LLP

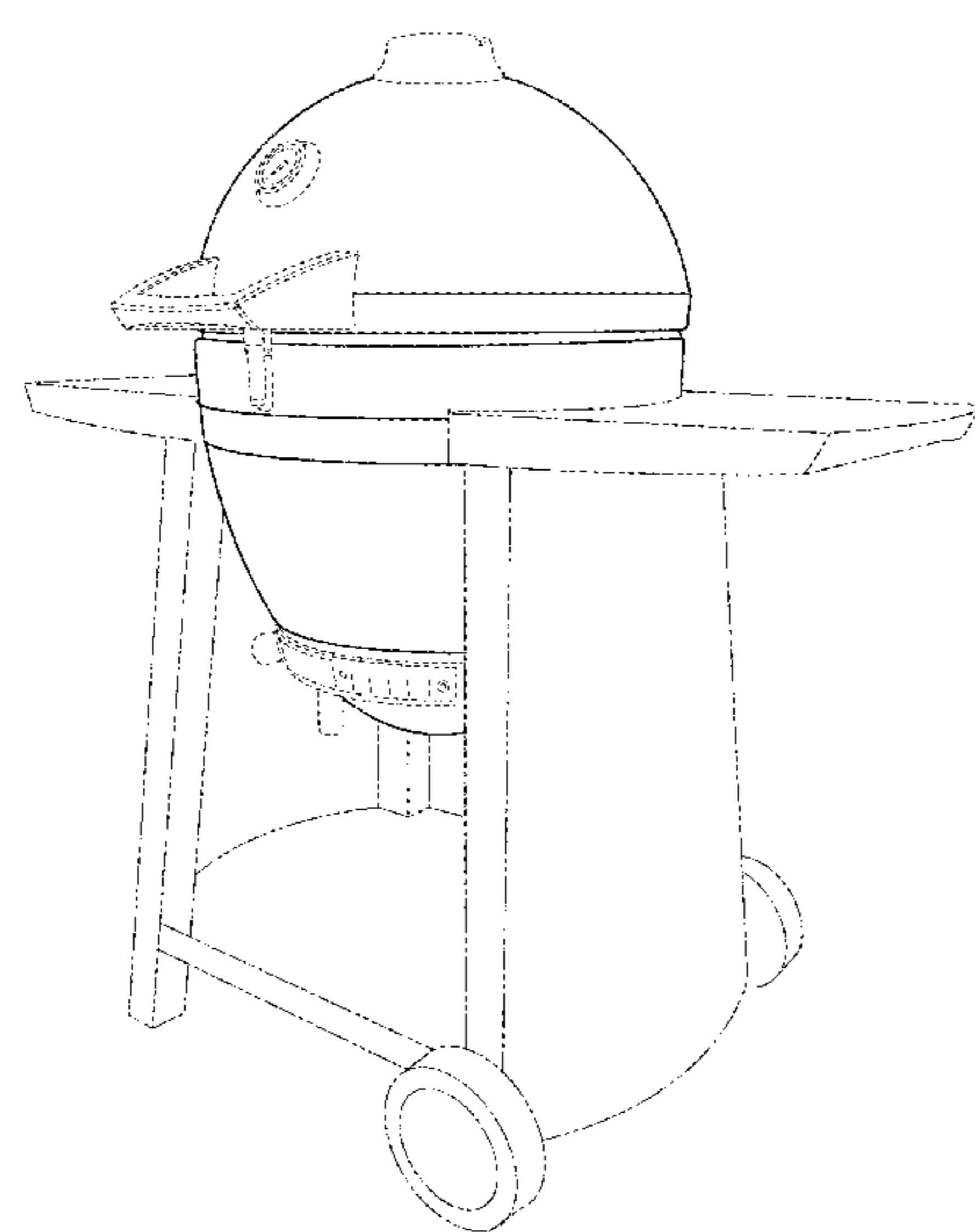
(57) **CLAIM**
 The ornamental design for a barbeque grill, as shown and described.

DESCRIPTION

FIG. 1 is a front perspective view of the barbeque grill showing our new design;
 FIG. 2 is rear perspective view thereof;
 FIG. 3 is a front elevation view thereof;
 FIG. 4 is a rear elevation view thereof;
 FIG. 5 is a right side elevation view thereof;
 FIG. 6 is a left side elevation view thereof;
 FIG. 7 is a top plan view thereof; and,
 FIG. 8 is a bottom plan view thereof.
 The broken lines are for environmental purposes only and form no part of the claimed design.

- (56) **References Cited**
 U.S. PATENT DOCUMENTS
 D201,416 S * 6/1965 Sazegar D7/337
 D201,937 S * 8/1965 Johnson D7/337
 3,276,440 A * 10/1966 Sazegar A47J 37/0704
 126/25 A
 5,865,099 A 2/1999 Waugh

1 Claim, 8 Drawing Sheets



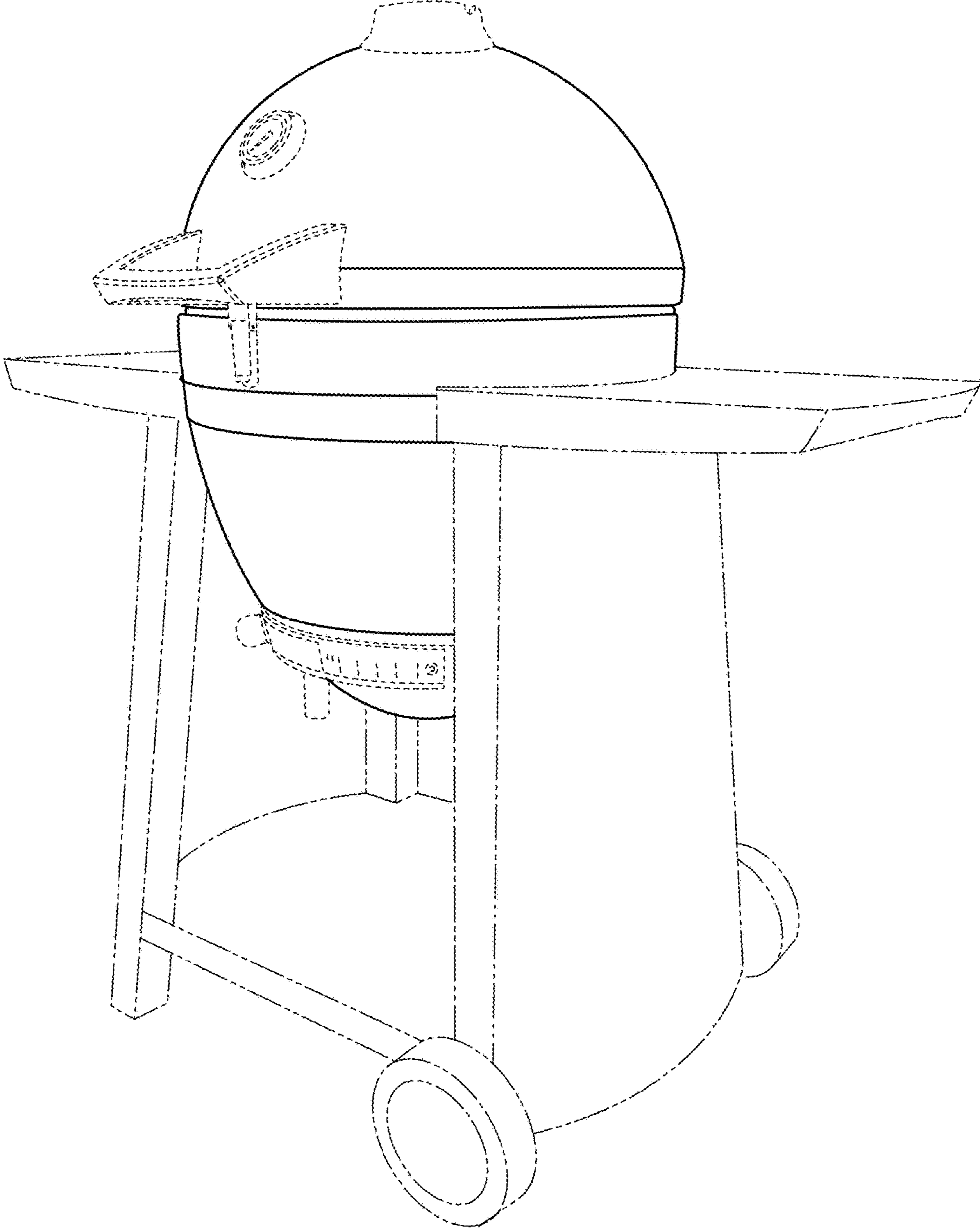


Fig. 1

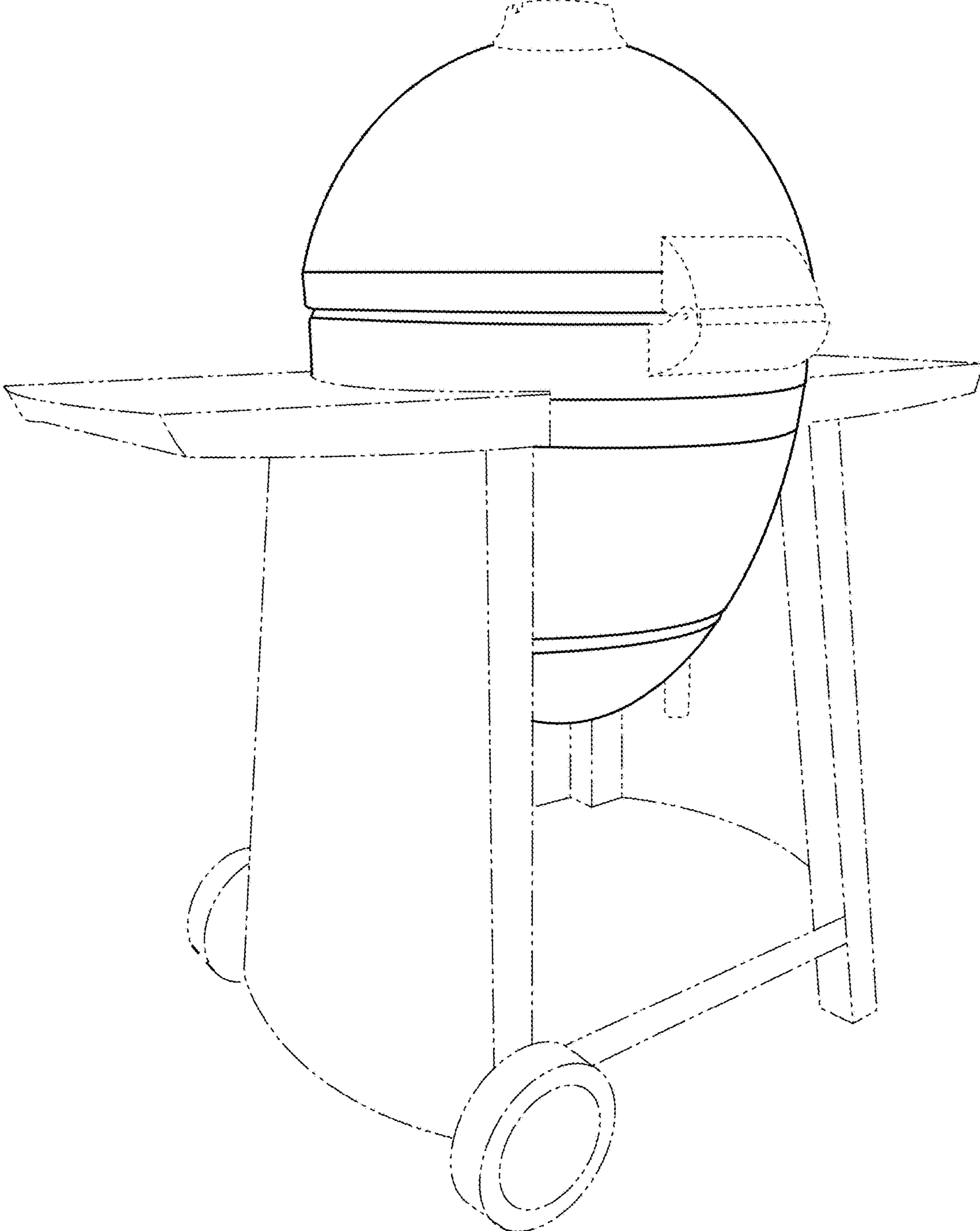


Fig. 2

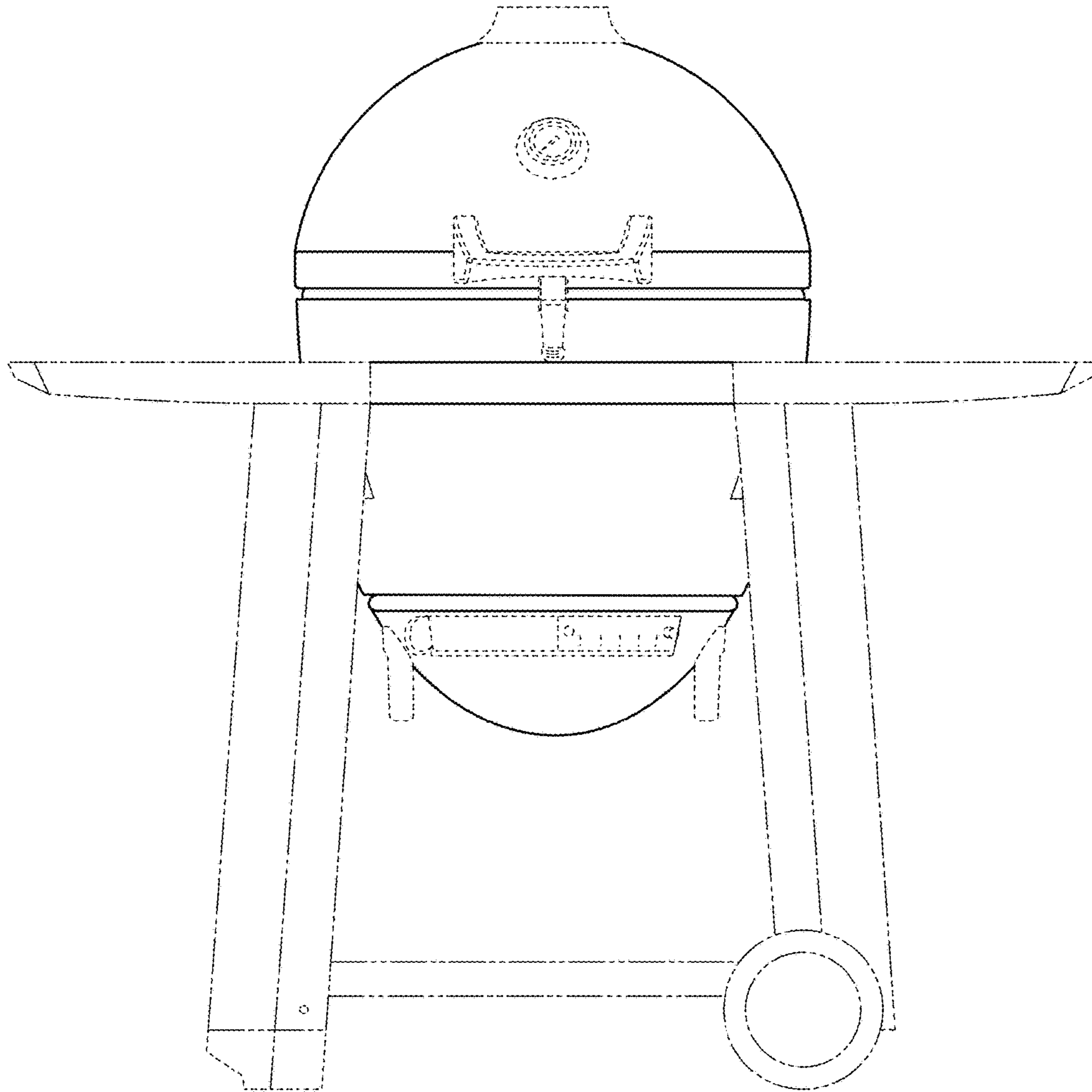


Fig. 3

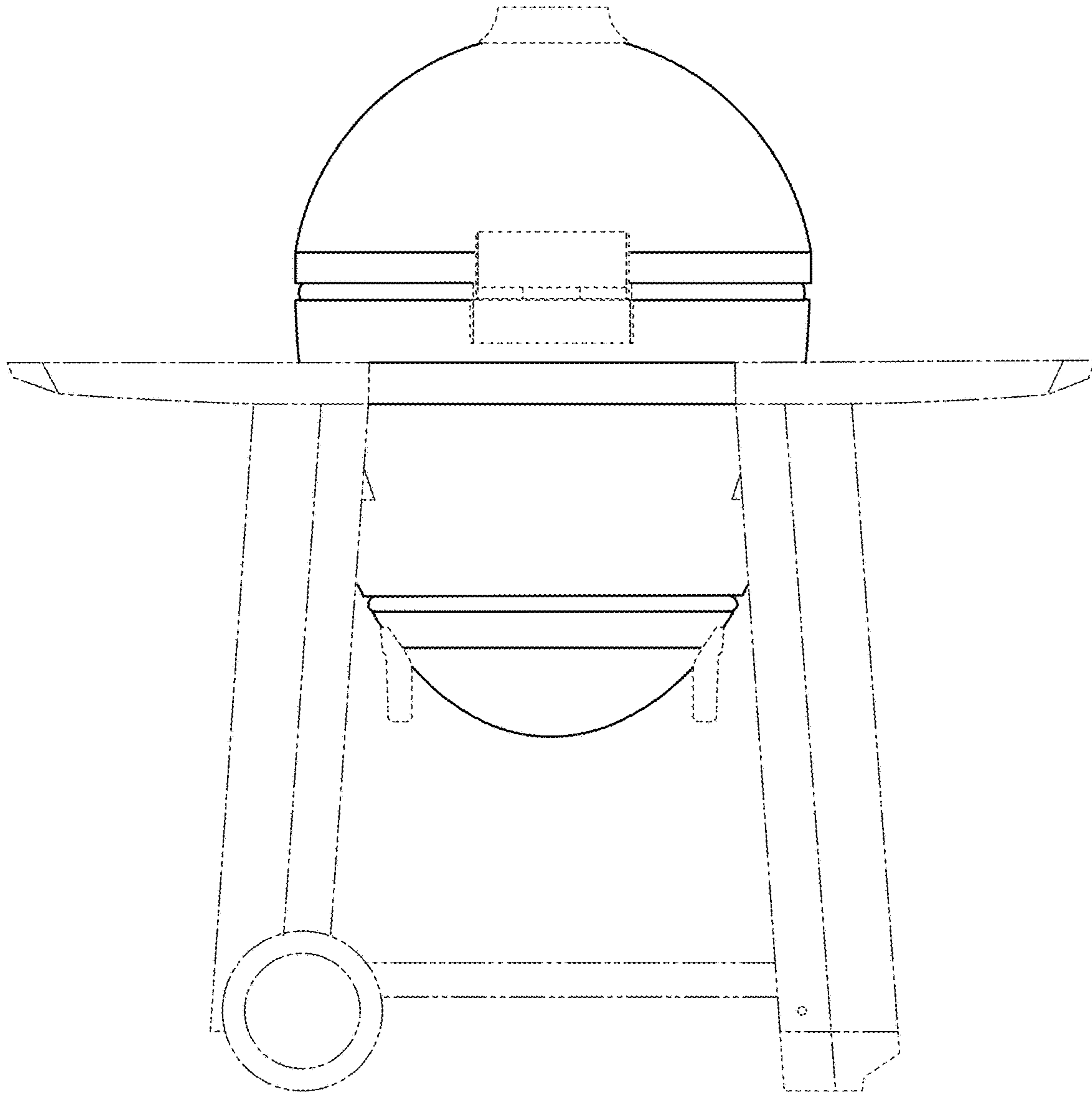


Fig. 4

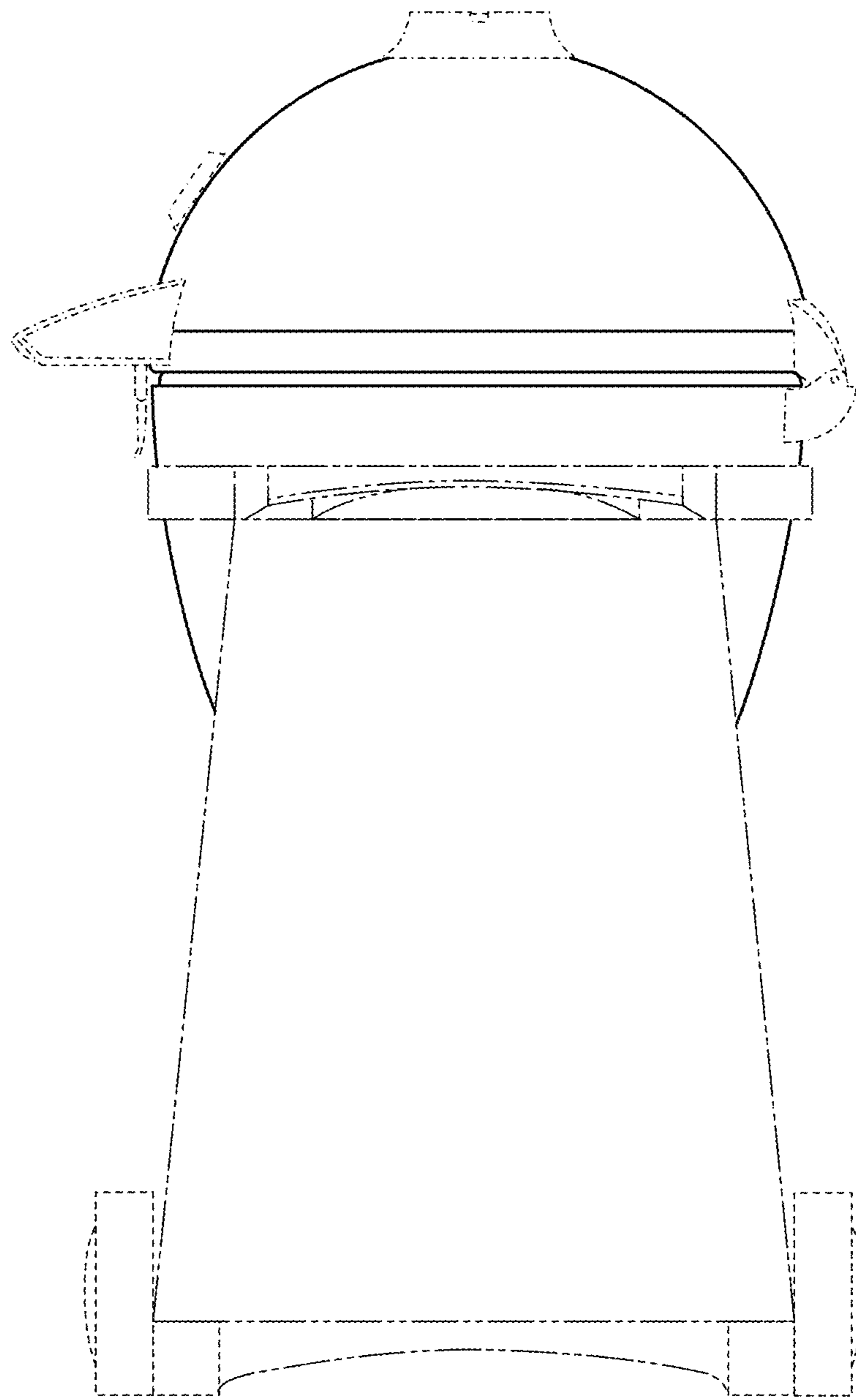


Fig. 5

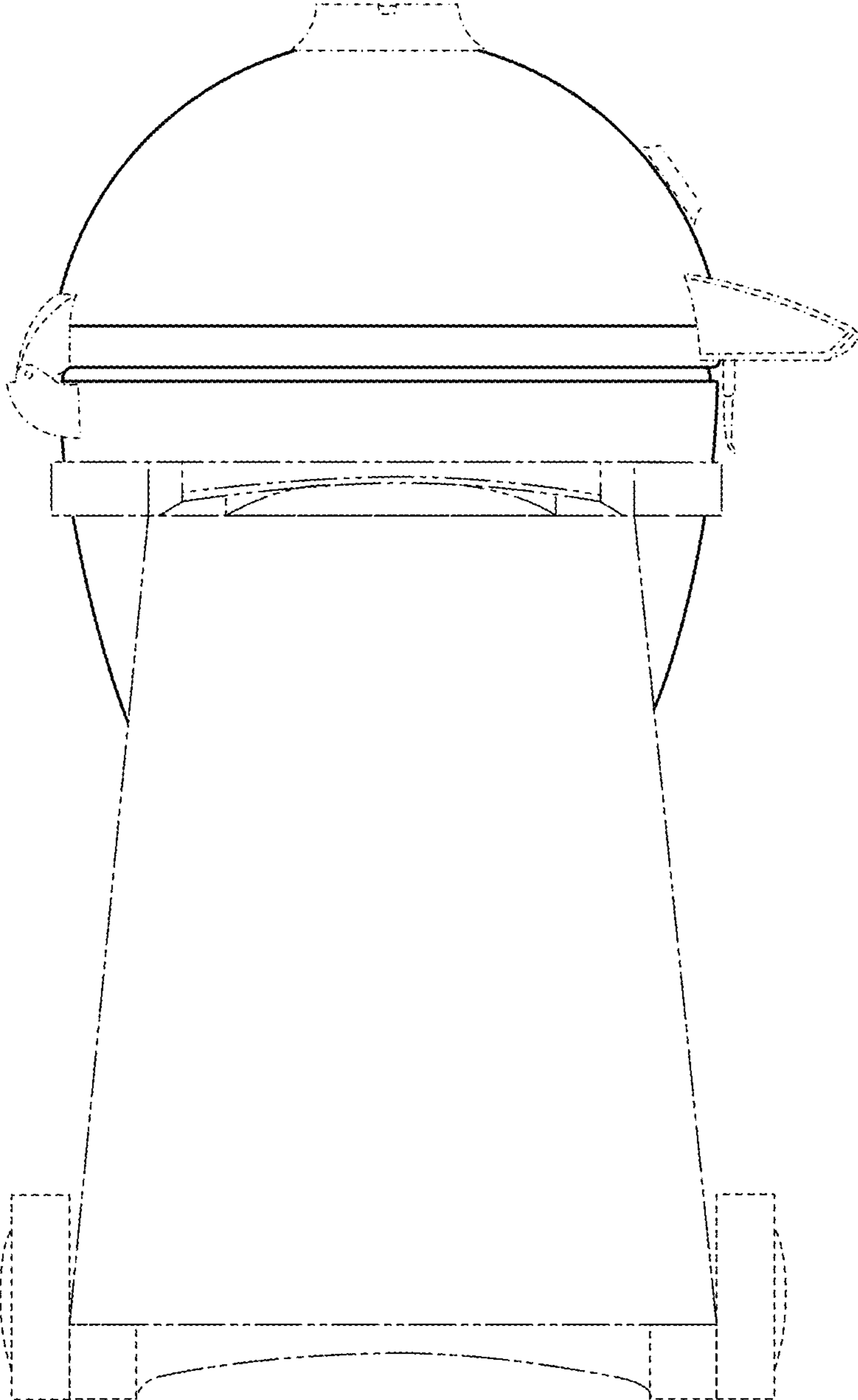


Fig. 6

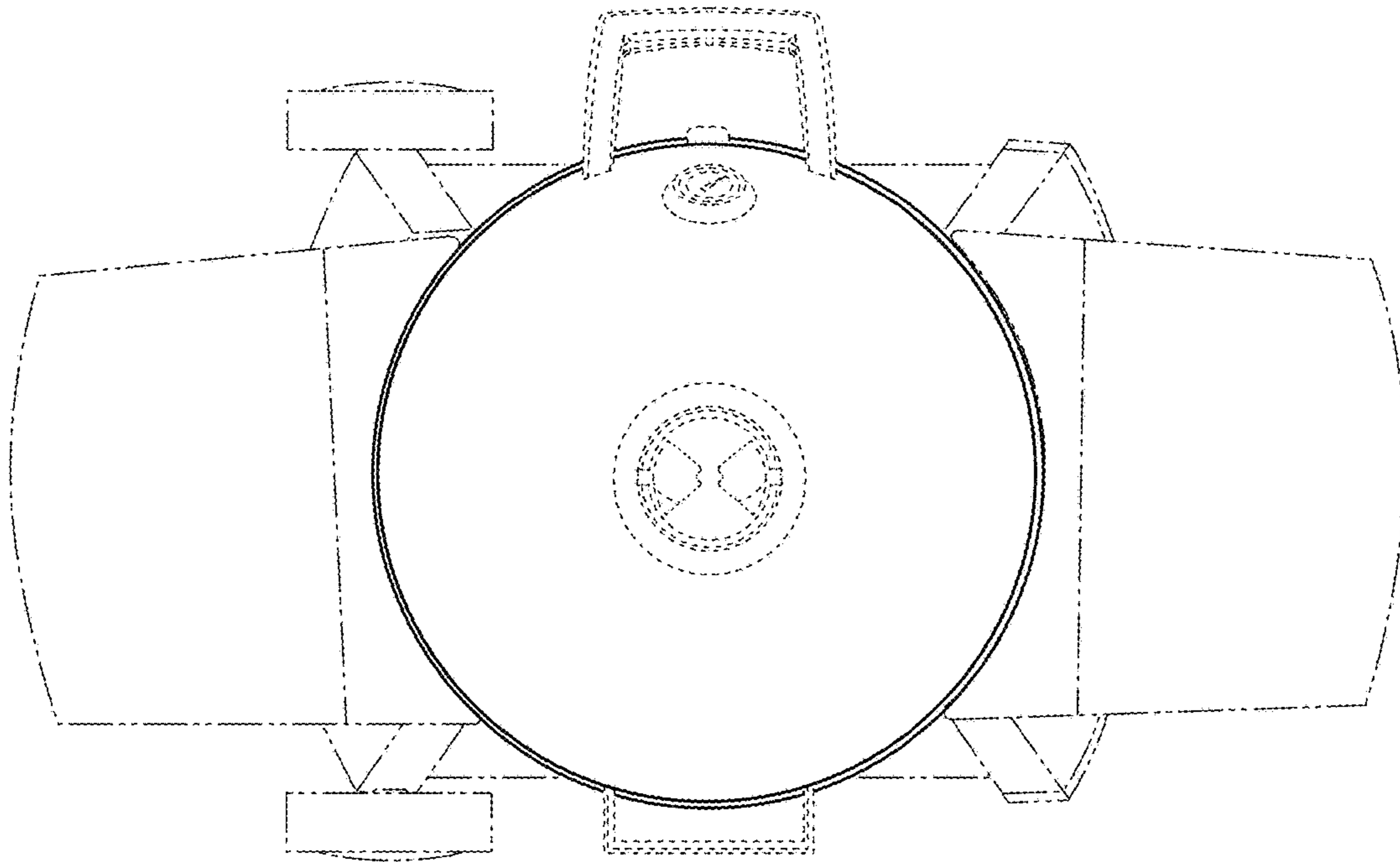


Fig. 7

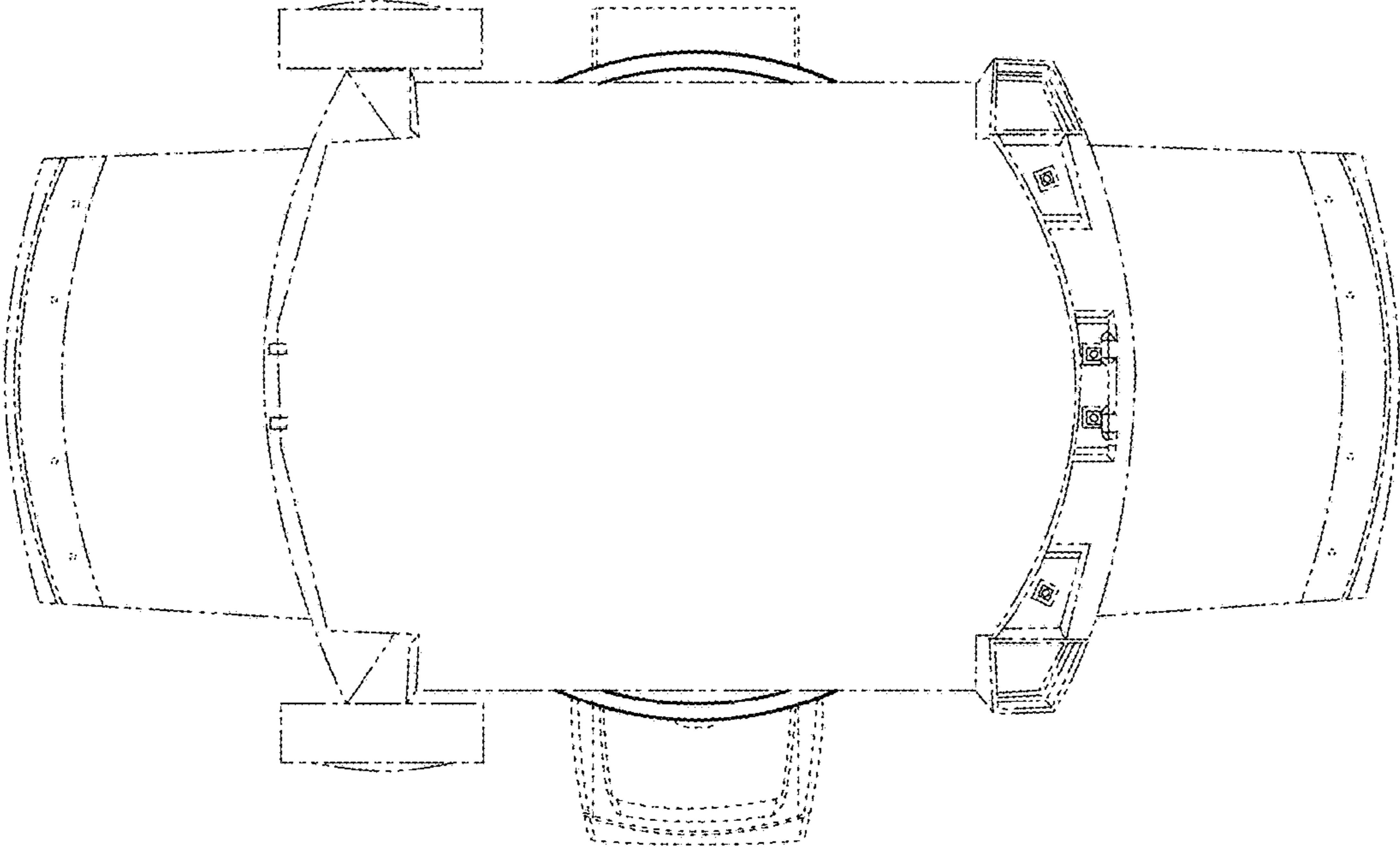


Fig. 8