



US00D822420S

(12) **United States Design Patent** (10) **Patent No.:** **US D822,420 S**
Paterson et al. (45) **Date of Patent:** **** Jul. 10, 2018**

(54) **SEATING DEVICE**

(71) Applicant: **Medline Industries, Inc.**, Mundelein, IL (US)

(72) Inventors: **Michael Paterson**, Chicago, IL (US);
Matt Costello, Chicago, IL (US);
Kristian Trendafilov, Mettmann (DE);
Luke Westra, Chicago, IL (US)

(73) Assignee: **Medline Industries, Inc.**, Northfield, IL (US)

(**) Term: **15 Years**

(21) Appl. No.: **29/558,299**

(22) Filed: **Mar. 16, 2016**

Related U.S. Application Data

(63) Continuation of application No. 14/845,235, filed on Sep. 3, 2015.

(51) **LOC (11) Cl.** **06-01**

(52) **U.S. Cl.**
USPC **D6/716**; D6/374; D6/380

(58) **Field of Classification Search**
USPC D6/334-336, 349, 367, 371, 373, 374,
D6/375, 379, 380, 716, 716.1, 716.2,
D6/716.3, 716.4, 689, 690; D23/304
CPC A47C 4/02; A47C 5/12; A47C 3/00; A47C
3/34; A47C 3/38; A47K 3/022; A47K
3/12; A47K 3/122; A47K 3/282
See application file for complete search history.

(56) **References Cited**

U.S. PATENT DOCUMENTS

3,855,646 A 12/1974 Glickman
3,944,281 A 3/1976 Piretti
4,472,844 A 9/1984 Mace
D276,767 S * 12/1984 Livi D6/349
D296,284 S * 6/1988 Colby D6/690

D300,996 S * 5/1989 Colby D6/690
D347,526 S 6/1994 Hamilton
5,335,377 A 8/1994 Masyada et al.
5,536,068 A * 7/1996 Valentor A47C 3/38
297/183.1
D375,638 S 11/1996 Dhanapal et al.
5,940,905 A * 8/1999 Cheng A47K 3/122
4/560.1

(Continued)

FOREIGN PATENT DOCUMENTS

WO 2001/070088 9/2001

OTHER PUBLICATIONS

“Briggs Healthcare”, Shower Chair; <http://www.walmart.com/ip/Mabis-DMI-Shower-Chair-with-Arms-and-Back-Rest/12354572>;
Unknown publication date but believe to be prior to filing of present application.

(Continued)

Primary Examiner — Mimosa De

(74) *Attorney, Agent, or Firm* — Philip H. Burrus, IV

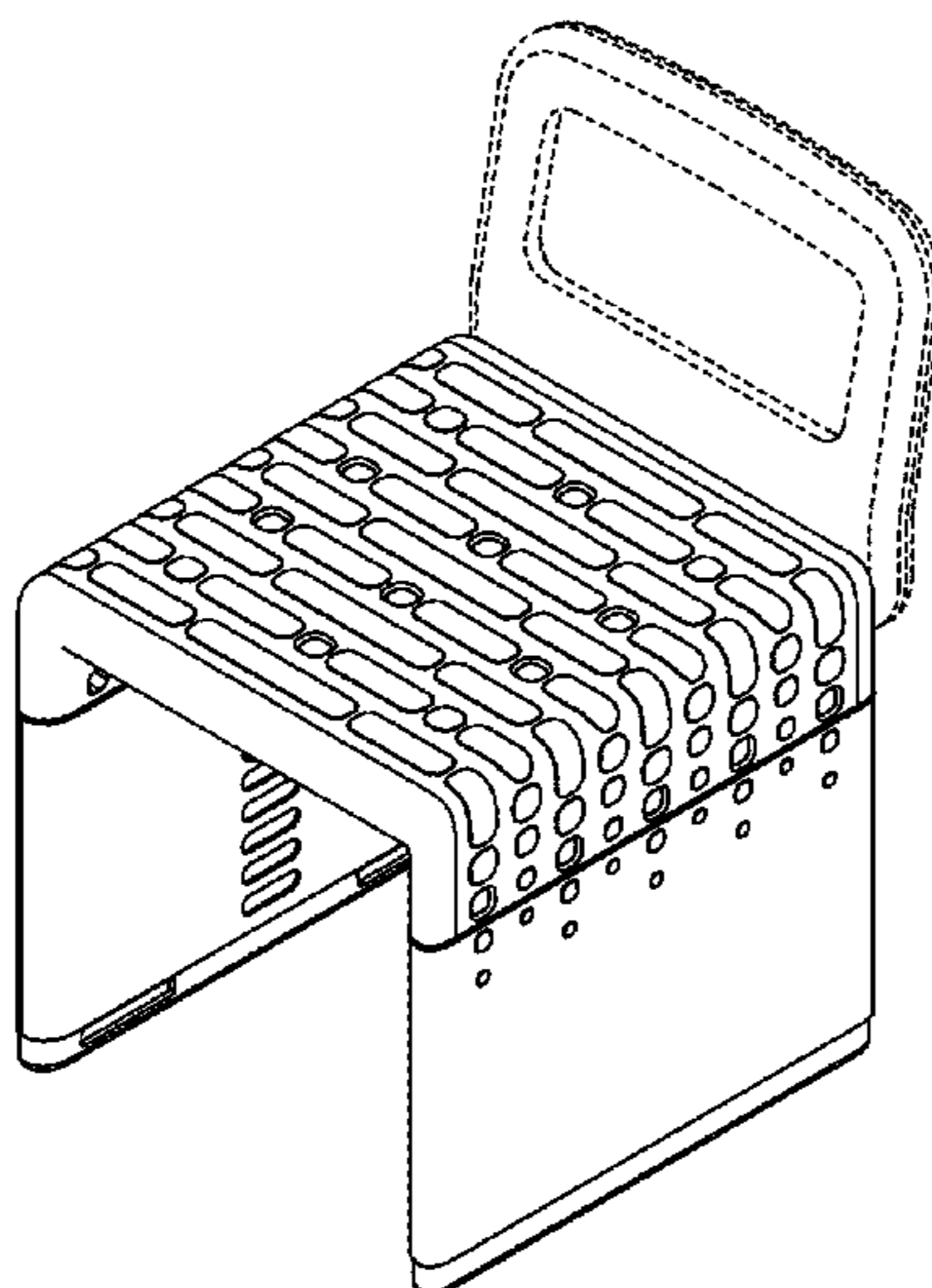
(57) **CLAIM**

The ornamental design for a seating device, as shown and described.

DESCRIPTION

FIG. 1 is a front elevation view of a seating device showing our new design;
FIG. 2 is a rear elevation view thereof;
FIG. 3 is a left elevation view thereof;
FIG. 4 is a right elevation view thereof;
FIG. 5 is a top plan view thereof;
FIG. 6 is a bottom plan view thereof; and,
FIG. 7 is a perspective view thereof.
All broken lines are included for the purpose of illustrating use and environment and form no part of the claimed design.

1 Claim, 4 Drawing Sheets



(56)

References Cited

U.S. PATENT DOCUMENTS

6,000,750	A	12/1999	Rossmann et al.	
6,039,403	A	3/2000	Hargroder	
6,065,251	A	5/2000	Kindrick	
D427,814	S *	7/2000	Black	D6/690
6,105,183	A	8/2000	Bly	
6,122,776	A *	9/2000	Cheng	A47K 3/122 297/440.24
D439,429	S *	3/2001	Higgs	A47K 3/122 D6/368
D466,337	S *	12/2002	Feng	D6/689
D478,749	S	8/2003	Gilbert et al.	
D478,750	S	8/2003	Gilbert et al.	
D479,051	S	9/2003	Darst et al.	
6,827,028	B1	12/2004	Callaway	
D501,611	S *	2/2005	Self	D6/362
D519,291	S *	4/2006	Higgs	A47K 3/282 D6/367
7,020,911	B2	4/2006	Oldham	
7,121,620	B1	10/2006	Fang	
D596,866	S	7/2009	Bergmann et al.	
7,690,055	B2	4/2010	Hammer et al.	
7,761,935	B1	7/2010	Whitaker	
D637,417	S	5/2011	Marcomini	
8,127,377	B2	3/2012	Ferrazzani	
8,152,233	B2	4/2012	Wechter	
8,181,285	B1	5/2012	Jackson	
D687,640	S *	8/2013	Pedersen	D6/349
D723,814	S *	3/2015	Hagstrom	D6/335
9,107,787	B2	8/2015	Wechter	
9,662,255	B2	5/2017	Wechter	
D802,311	S *	11/2017	Stricklin	D6/349
2004/0051365	A1	3/2004	Darst	
2007/0273181	A1	11/2007	Wechter	
2010/0288453	A1	11/2010	Richardson	
2012/0192351	A1	8/2012	Wechter	
2013/0117928	A1	5/2013	Hardie	

OTHER PUBLICATIONS

“DeVilbiss Healthcare”, Shower Chair with Back; <http://www.drivemedical.com/b2b/index.php/shower-chair-with-back-and-removable-padded-arms-217.html>; Unknown Publication Date but believe to be prior to filing of present application.
 “Essential Medical”, Molded Shower Chair; <http://www.walmart.com/ip/Essential-Medical-B3011-Molded-Shower-Bench-with-Arms-Back/35306400>; Unknown publication date but believe to be prior to filing of present application.
 “RehabMart.com”, Adjustable Shower Seats; <http://www.rehabmart.com/product/adjustable-shower-seats-18745.html>; Unknown Publication Date but believe to be prior to filing of present application.
 “Single Cube Chair”, CFC-999 Preschool Chairs; Hertz Furniture Website; <http://www.hertzfurniture.com/Preschool---Chairs----->

Single---Cube---Chair-----3462-----mo.html; Unknown Publication Date but prior to filing of present application.
 Ros, Nicholas, “NonFinal OA”, U.S. Appl. No. 14/845,235, filed Sep. 3, 2015, dated May 2, 2017.
 Ros, Nicholas, “Non-Final OA”, U.S. Appl. No. 14/845,235; filed Sep. 3, 2015; dated Nov. 22, 2017.
 Seating Device Images gathered by inventors; IA Collaborative and Medline; Unknown original publication of each image; Unknown publication dates but believed to be prior to filing of present application.
 “Medline Catalog”, Basic Shower Chair with Back; Medline Catalog; <https://www.medline.com/catalog/catalog.jsp>; Unknown Publication date but believed to be prior to present application filing date.
 “Medline Catalog”, Composite Bath Benches with Back; Medline Catalog; <https://www.medline.com/catalog/catalog.jsp>; Unknown Publication date but believed to be prior to present application filing date.
 “Medline Catalog”, Composite Transfer Benches; Medline Catalog; <https://www.medline.com/catalog/catalog.jsp>; Unknown Publication date but believed to be prior to present application filing date.
 “Medline Catalog”, Easy Care Shower Chair/Stool; Medline Catalog; <https://www.medline.com/catalog/catalog.jsp>; Unknown Publication date but believed to be prior to present application filing date.
 “Medline Catalog”, Home Care Glacier Shower Chair by Moen; Medline Catalog; <https://www.medline.com/catalog/catalog.jsp>; Unknown Publication date but believed to be prior to present application filing date.
 “Medline Catalog”, Knockdown Transer Benches; Medline Catalog; <https://www.medline.com/catalog/catalog.jsp>; Unknown Publication date but believed to be prior to present application filing date.
 “Medline Catalog”, Shower Chair with Back; Medline Catalog; <https://www.medline.com/catalog/catalog.jsp>; Unknown Publication date but believed to be prior to present application filing date.
 “Medline Catalog”, Shower Chair with Perineal Opening; Medline Catalog; <https://www.medline.com/catalog/catalog.jsp>; Unknown Publication date but believed to be prior to present application filing date.
 “Medline Catalog”, Shower Chairs with Microban; Medline Catalog; <https://www.medline.com/catalog/catalog.jsp>; Unknown Publication date but believed to be prior to present application filing date.
 “Medline Catalog”, Shower Chais/Stools by Invacare Corp; Medline Catalog; <https://www.medline.com/catalog/catalog.jsp>; Unknown publication date but believed to be prior to present application filing date.
 “Medline Catalog”, Snap N Save Heavy Duty Shower Chairs by Performance Health; Medline Catalog; <https://www.medline.com/catalog/catalog.jsp>; Unknown Publication date but belived to be prior to present application filing date.
 De, Mimosa , “Notice of Allowance”, U.S. Appl. No. 29/570,679; filed Jul. 11, 2016; dated Mar. 8, 2018.

* cited by examiner

FIG. 1

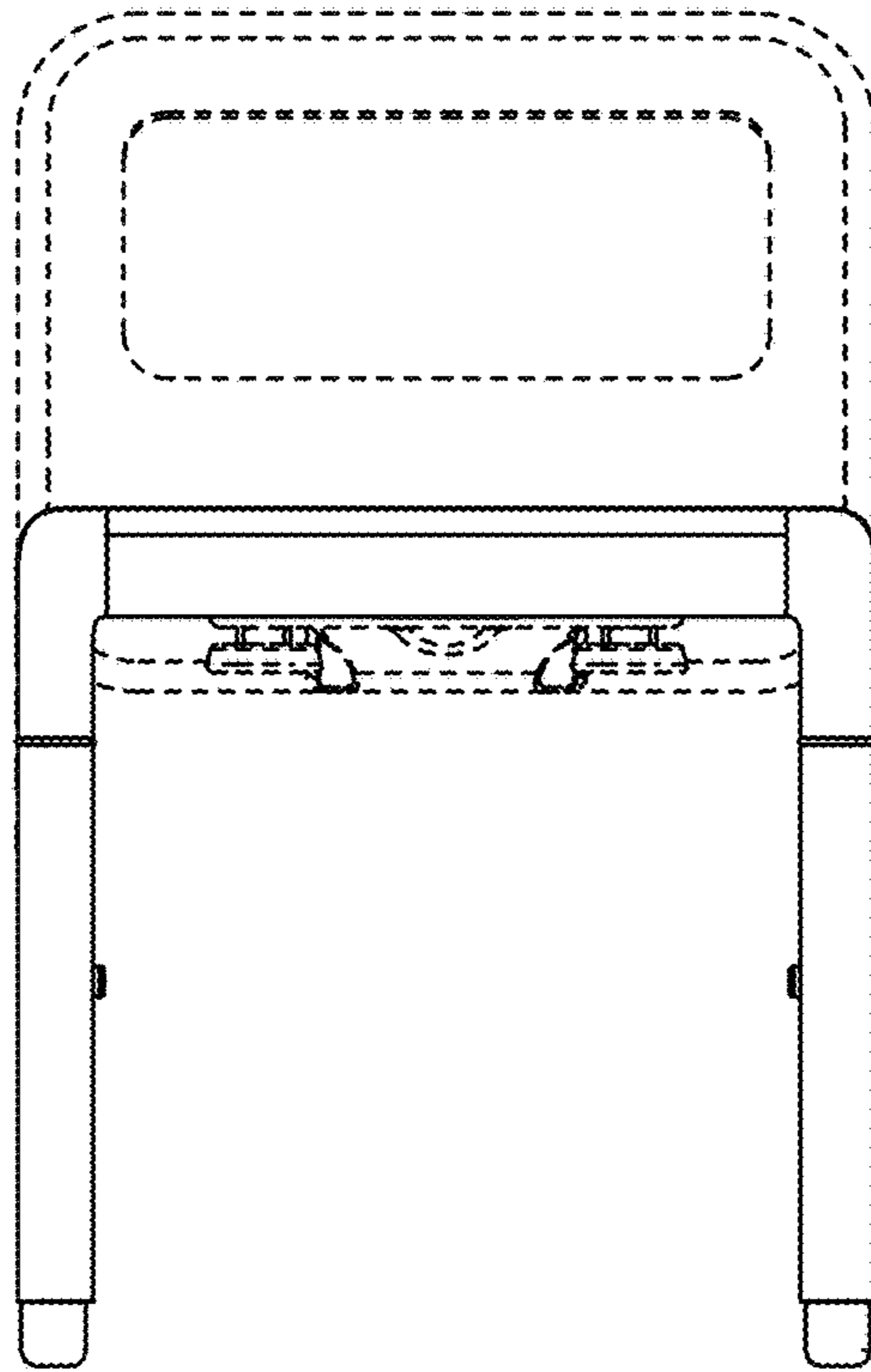


FIG. 2

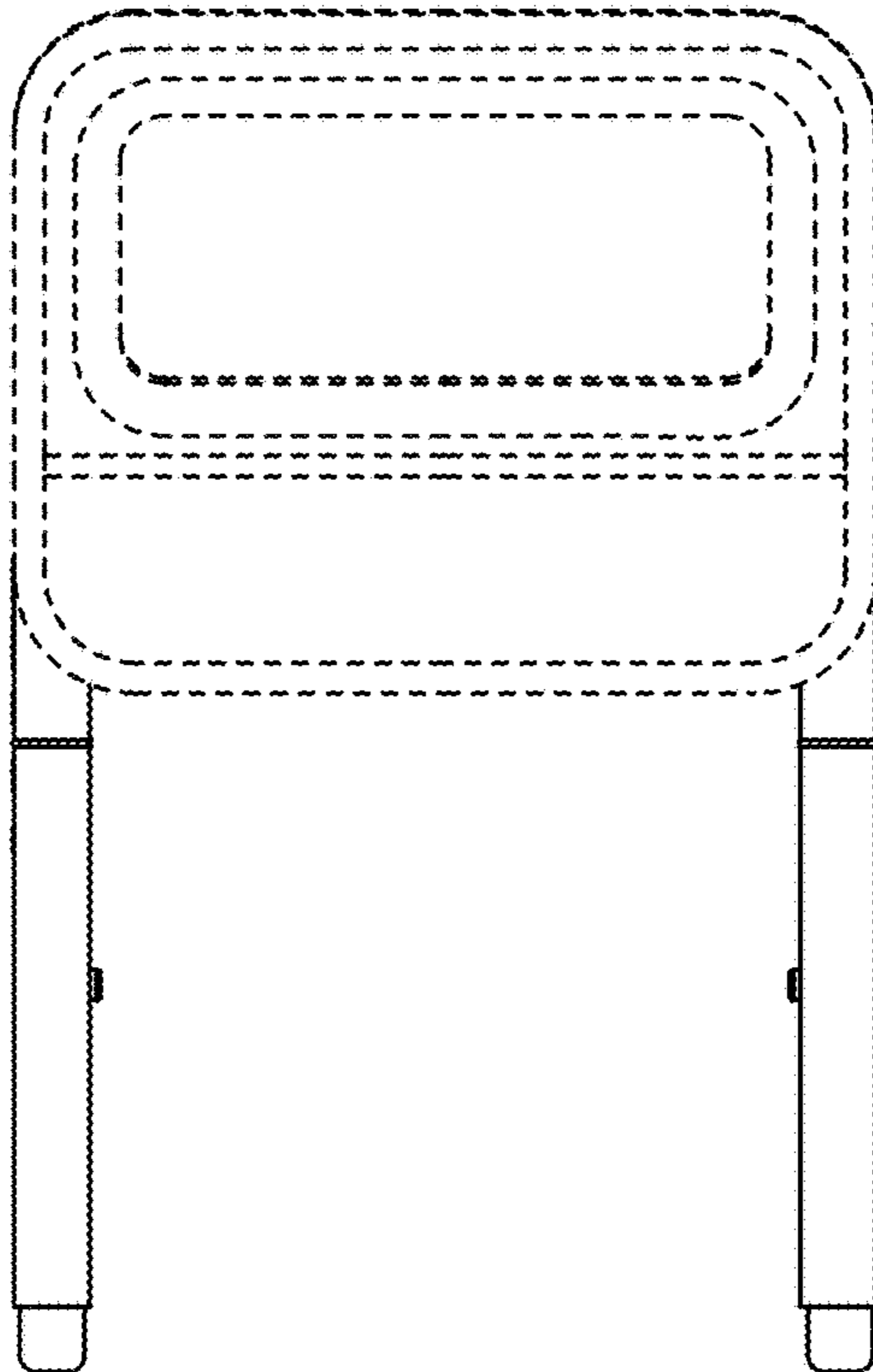


FIG. 3

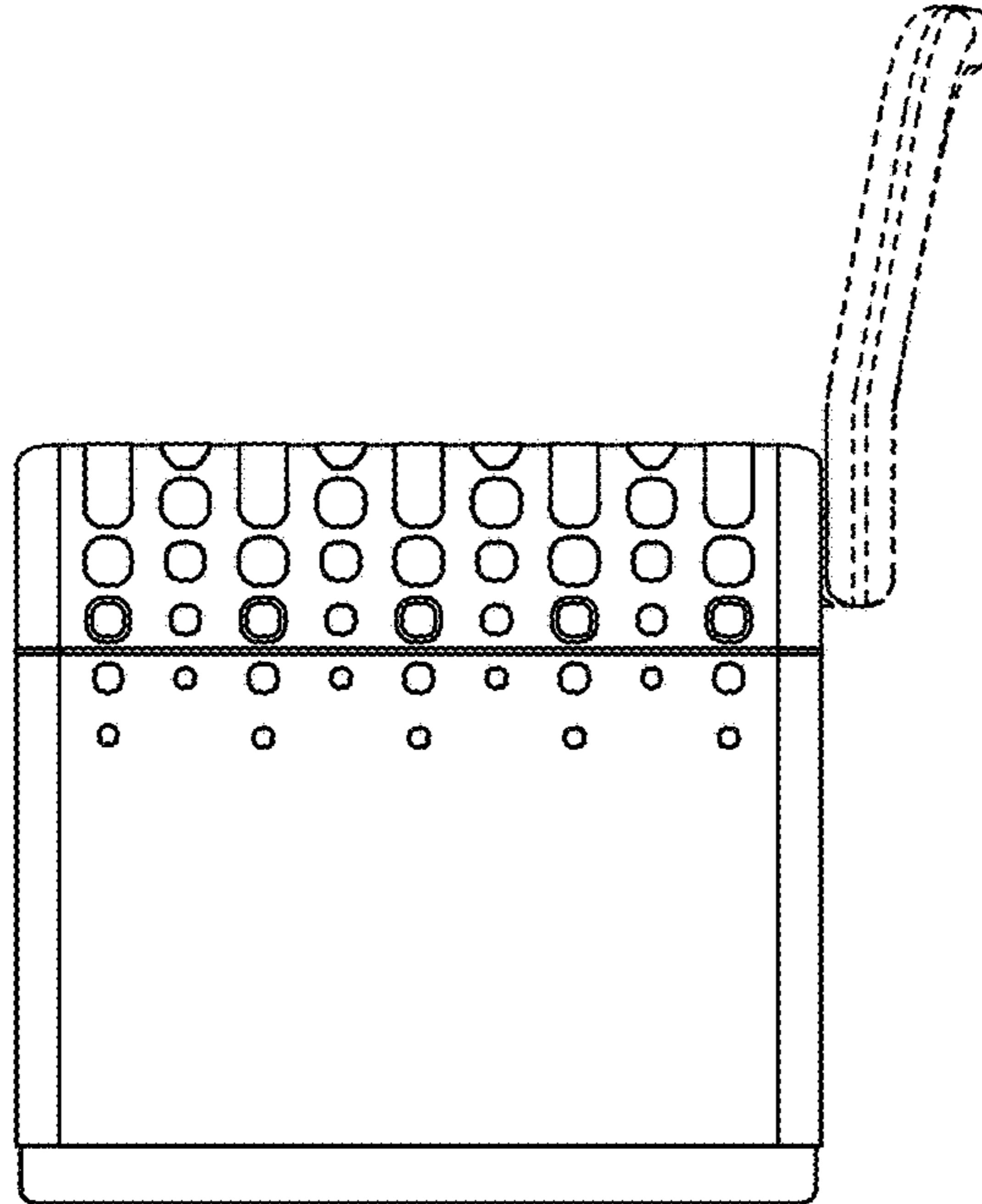


FIG. 4

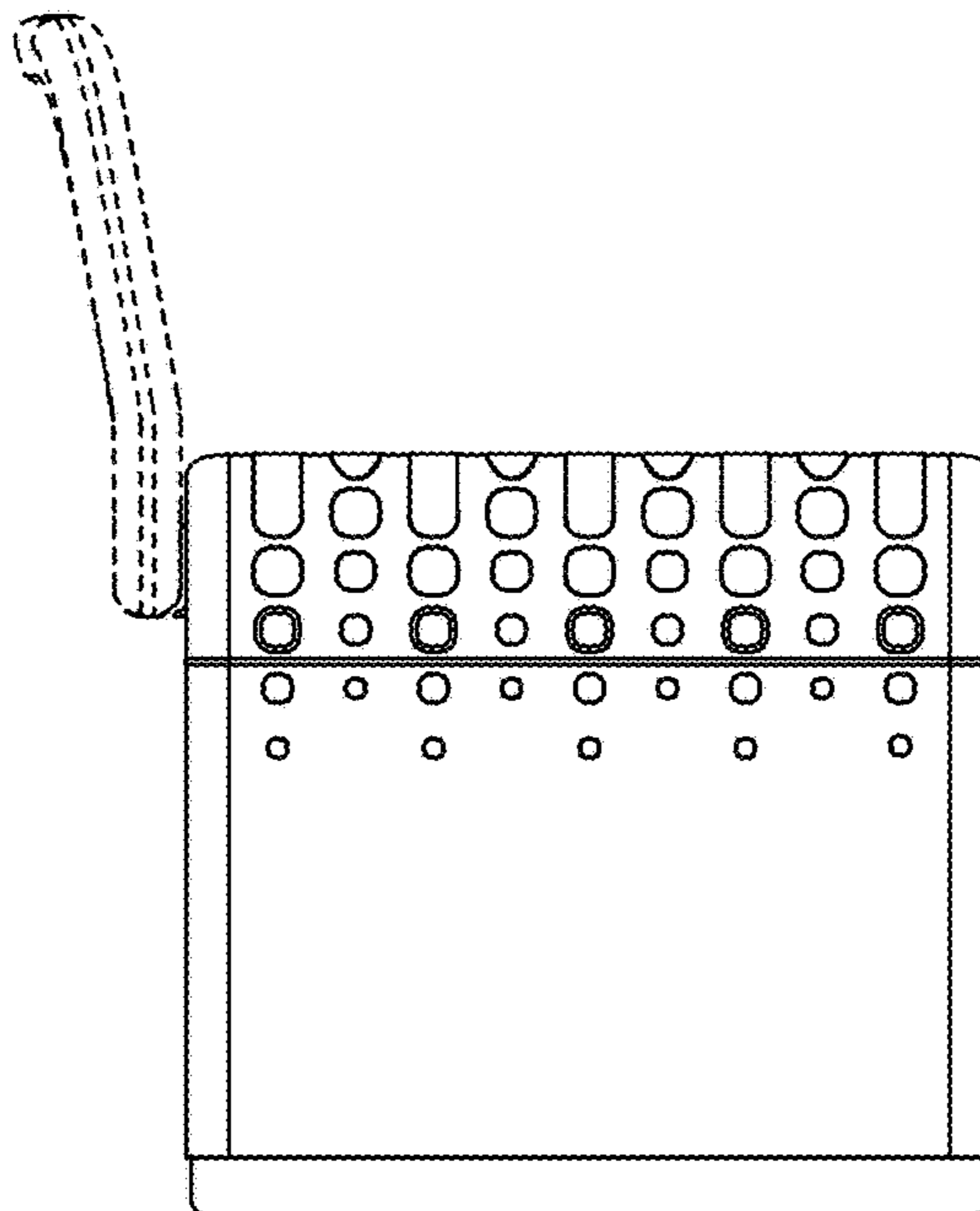


FIG. 5

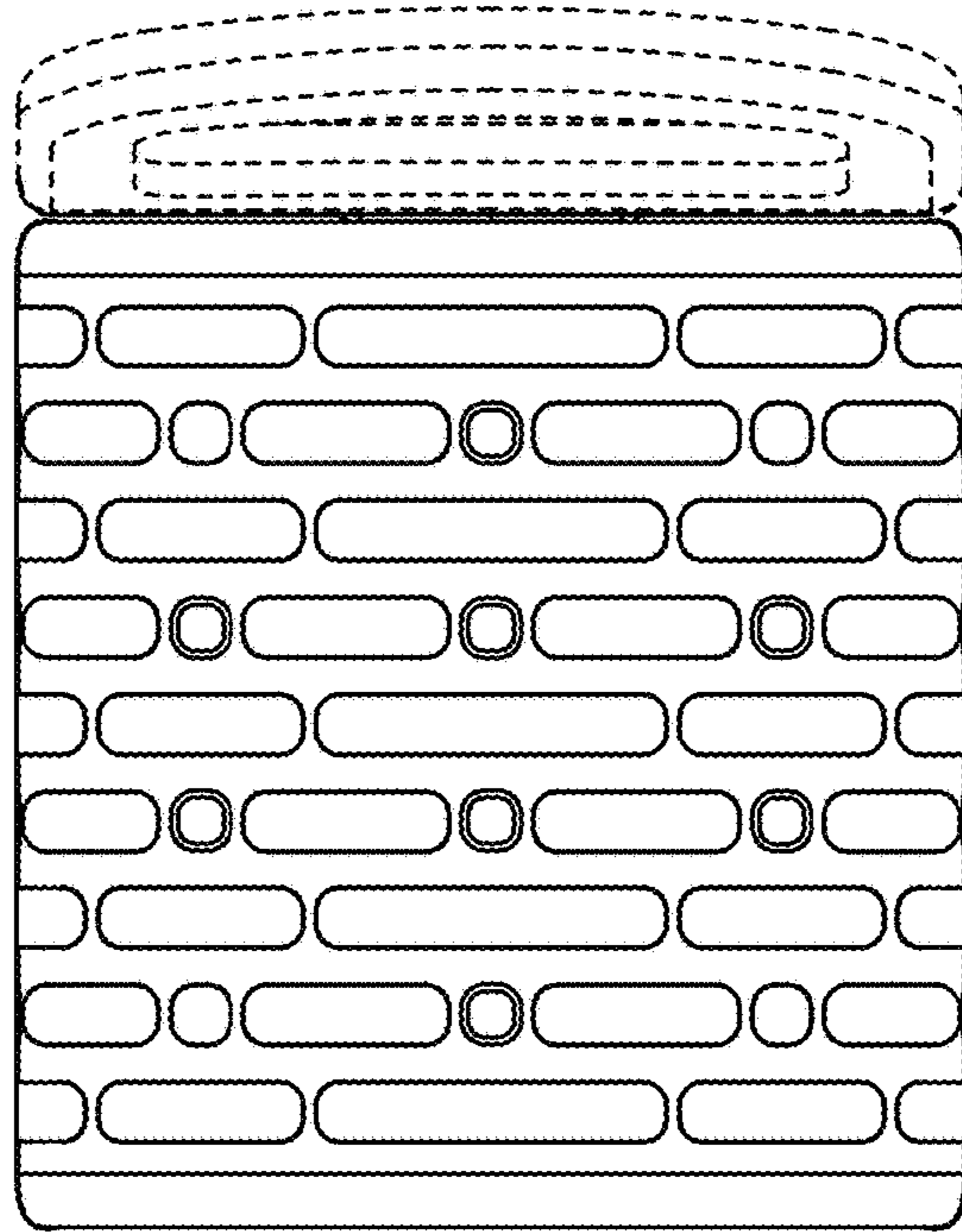
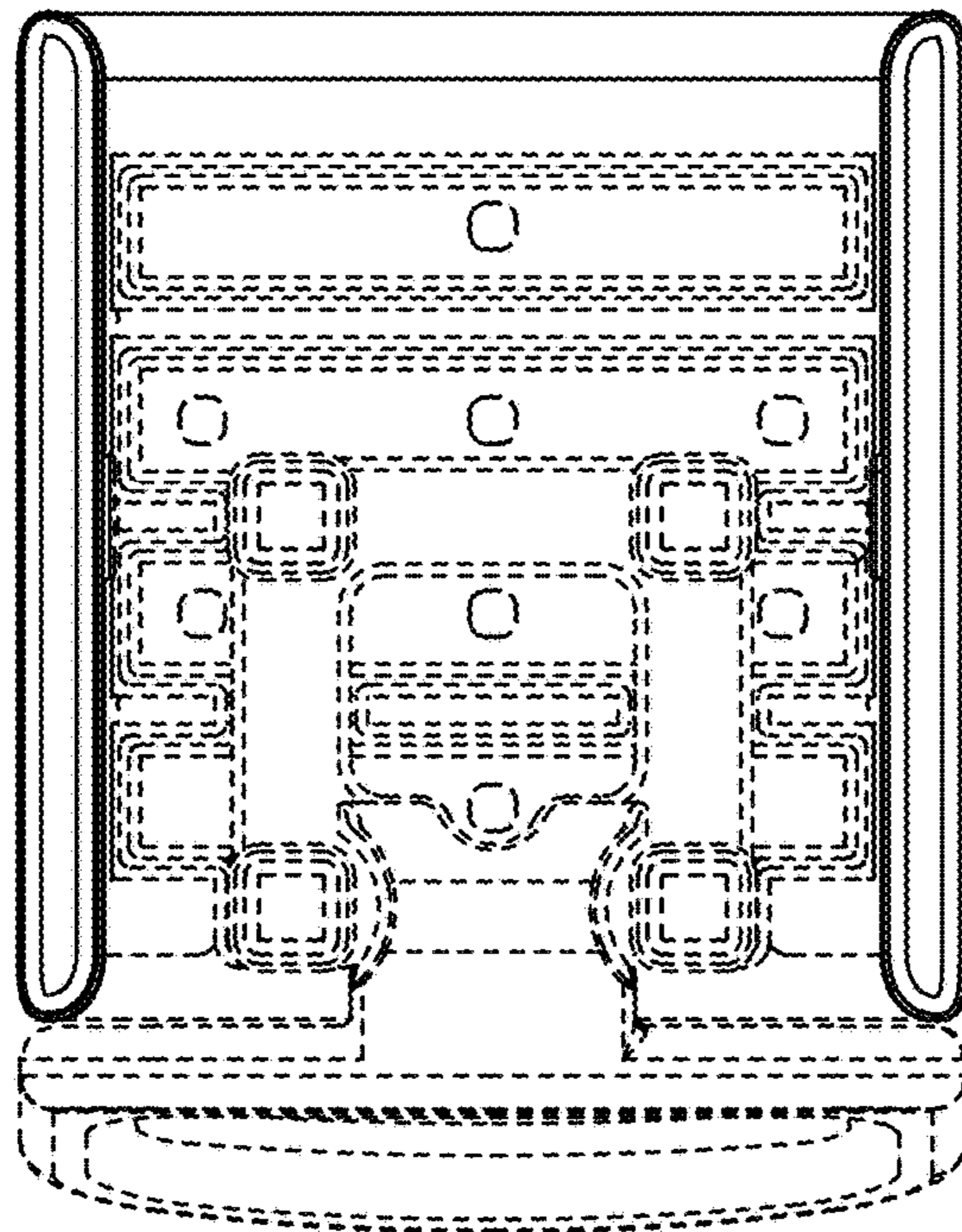


FIG. 6



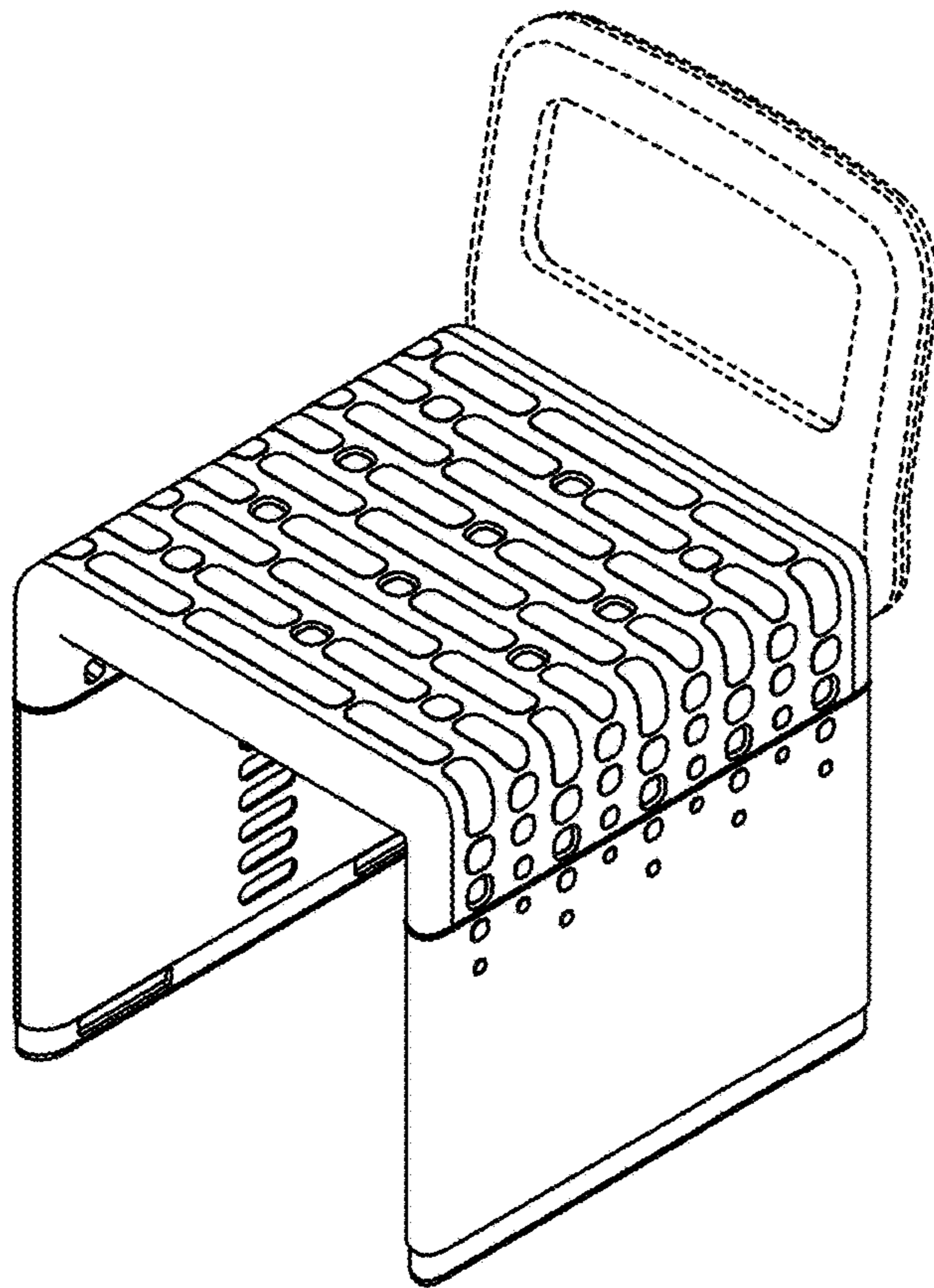


FIG. 7