



US00D822419S

(12) **United States Design Patent**  
**Prine, III**

(10) **Patent No.:** **US D822,419 S**

(45) **Date of Patent:** **\*\* Jul. 10, 2018**

- (54) **UNITARY TABLE SUPPORT**
- (71) Applicant: **George E. Prine, III**, Minneapolis, MN (US)
- (72) Inventor: **George E. Prine, III**, Minneapolis, MN (US)
- (\*\*) Term: **15 Years**
- (21) Appl. No.: **29/586,218**
- (22) Filed: **Dec. 1, 2016**
- (51) **LOC (11) Cl.** ..... **06-06**
- (52) **U.S. Cl.**  
USPC ..... **D6/709**
- (58) **Field of Classification Search**  
USPC ..... D6/337, 642, 663, 671, 677, 686, 687, D6/690, 691, 691.1, 691.2, 691.3, 691.4, D6/691.5, 693, 689, 691.9, 695, 695.2  
CPC ..... A47B 7/00; A47B 13/08; A47B 13/10; A47B 21/00; A47B 2009/006; A47B 11/00; A47B 2200/002; A47B 3/14; A47B 83/02; A47B 37/04  
See application file for complete search history.

(56) **References Cited**

**U.S. PATENT DOCUMENTS**

2,060,099	A *	11/1936	McNeff	.....	A01J 1/00 248/440
3,848,544	A *	11/1974	Douglas	.....	A47B 3/0917 108/6
4,522,443	A *	6/1985	Van Blankenburg	..	A47B 83/02 108/158.11
D315,650	S *	3/1991	Fisher	.....	D6/691.8
D331,852	S *	12/1992	Shimonovite	.....	D6/709
D348,989	S *	7/1994	Pomeroy	.....	D6/337
D387,913	S *	12/1997	Yurk	.....	D6/337
D462,204	S *	9/2002	Ross	.....	D6/690
D476,945	S *	7/2003	Burch	.....	D12/421
D508,803	S *	8/2005	Anderson	.....	D6/691

D510,823	S *	10/2005	Ng	.....	D6/683.1
D514,356	S *	2/2006	Ng	.....	D6/691
D530,548	S *	10/2006	McCurry	.....	D6/708
D530,942	S *	10/2006	Relling	.....	D6/691.8
D531,429	S *	11/2006	Henschel	.....	D6/349
D554,910	S *	11/2007	Krady	.....	D6/690
D572,504	S *	7/2008	Machin	.....	D6/690
D575,558	S *	8/2008	Garzon	.....	D6/691.1
D596,879	S *	7/2009	Collette	.....	D6/655.17
D609,505	S *	2/2010	Phookan	.....	D6/690
D622,983	S *	9/2010	Juskys	.....	D6/691
D624,337	S *	9/2010	Kapasi	.....	D6/690
D626,359	S *	11/2010	Wills	.....	D6/690
D655,951	S *	3/2012	McCurry	.....	D6/708
D690,543	S *	10/2013	Meissner	.....	D6/690
D718,541	S *	12/2014	Pedersen	.....	D6/337
D784,740	S *	4/2017	Chipperfield	.....	D6/337

(Continued)

*Primary Examiner* — Mary Ann Calabrese

*Assistant Examiner* — Sloan Rozin

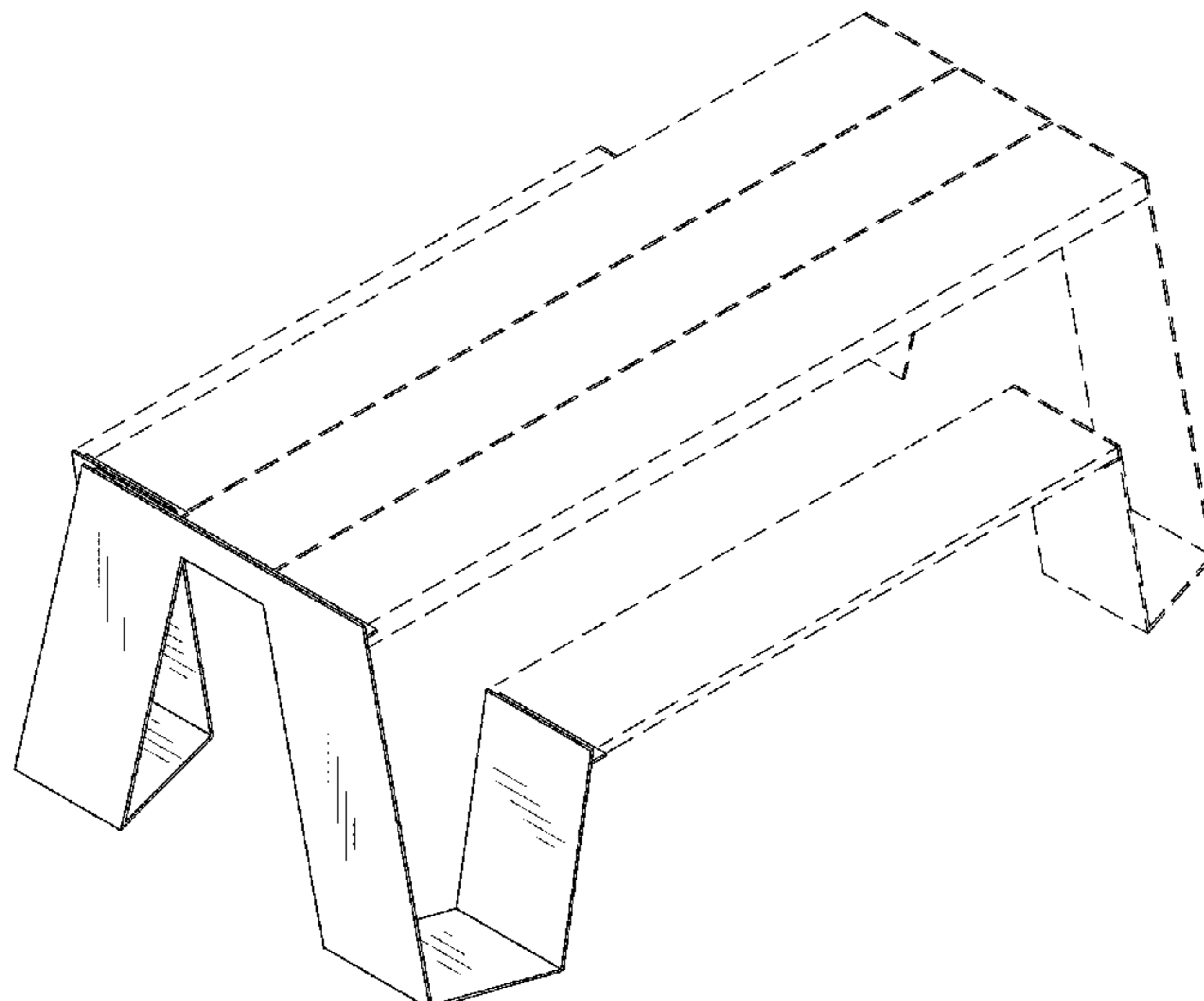
(57) **CLAIM**

The ornamental design for a unitary table support, as shown and described.

**DESCRIPTION**

FIG. 1 is a front, top perspective view of a unitary table support showing my new design;  
 FIG. 2 is a front, bottom perspective view of the unitary table support;  
 FIG. 3 is a right side view of the unitary table support, a left side view being a mirror image thereof;  
 FIG. 4 is a front view of the unitary table support;  
 FIG. 5 is a top view of the unitary table support, with the environment removed; and,  
 FIG. 6 is a bottom view of the unitary table support, with the environment removed.  
 The broken line showing in FIGS. 1, 2, and 3 is for the purpose of illustrating environment and forms no part of the claimed design.

**1 Claim, 5 Drawing Sheets**



(56)

**References Cited**

U.S. PATENT DOCUMENTS

D804,203 S \* 12/2017 Beldramme ..... D6/349  
2013/0264848 A1\* 10/2013 Furst ..... A47B 3/14  
297/158.4  
2014/0217954 A1\* 8/2014 Wilde ..... A47B 37/04  
320/101  
2014/0225401 A1\* 8/2014 Nellenbach ..... A47B 3/14  
297/158.4  
2017/0340100 A1\* 11/2017 Tsai ..... A47B 3/14

\* cited by examiner

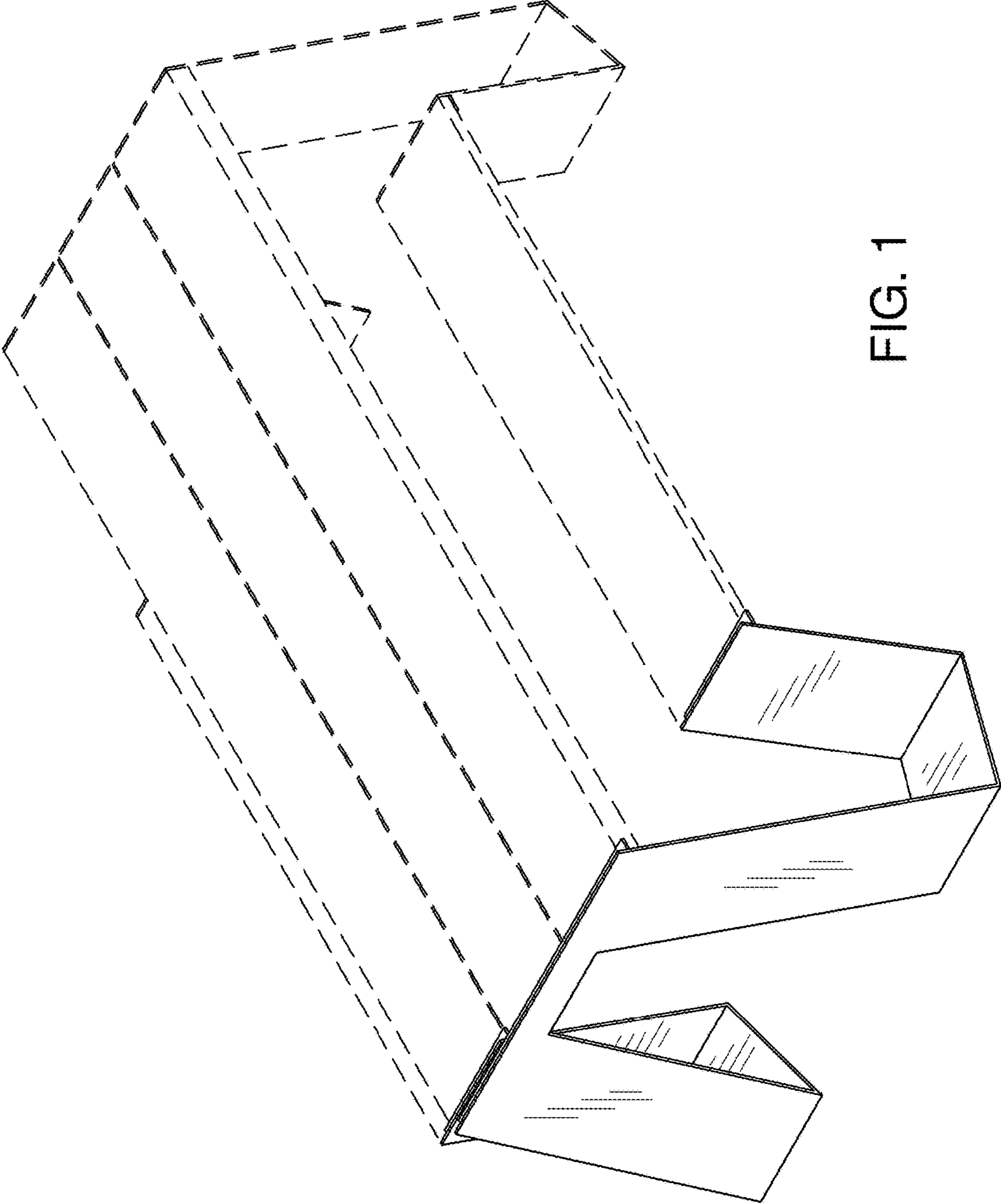


FIG. 1

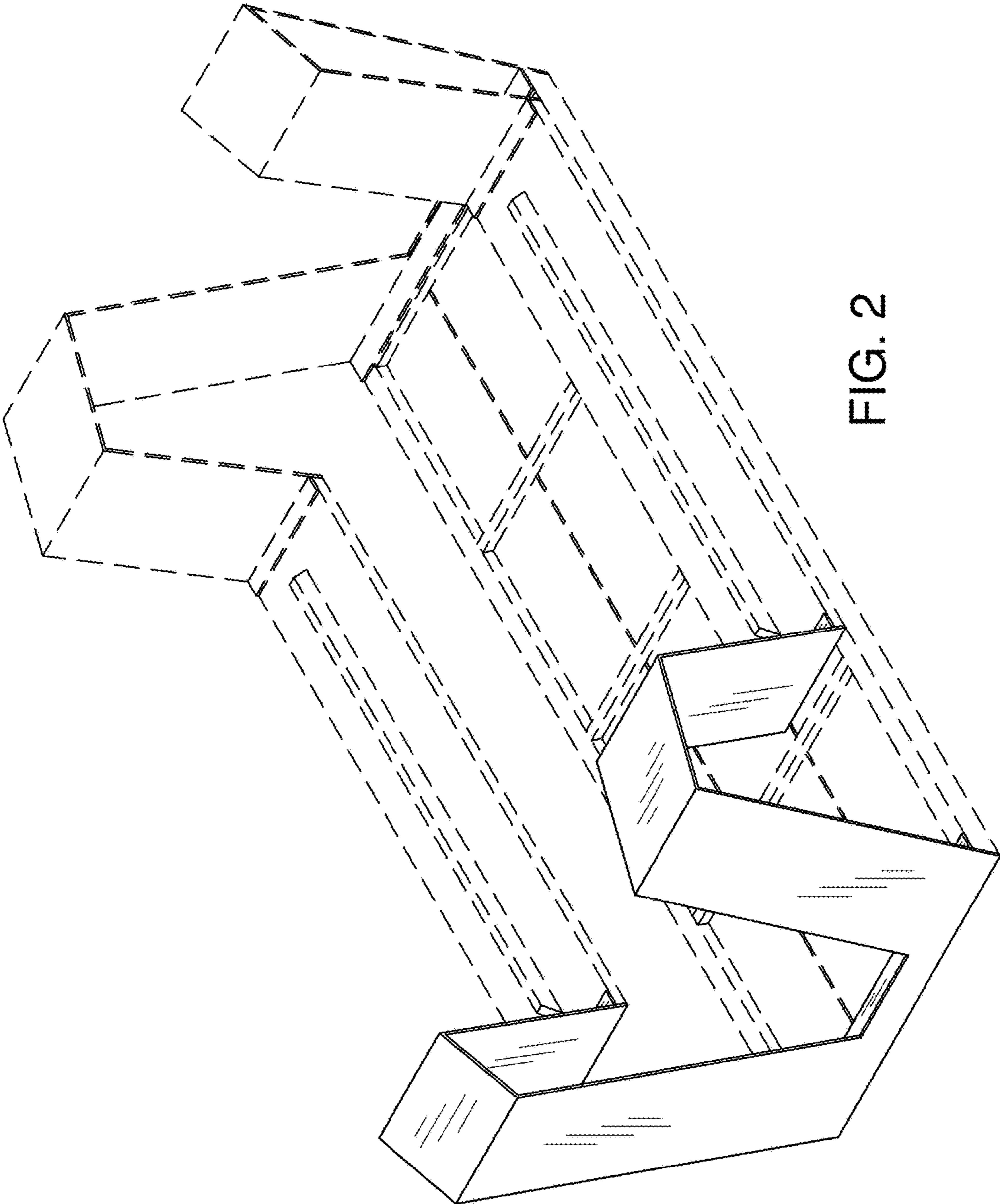


FIG. 2

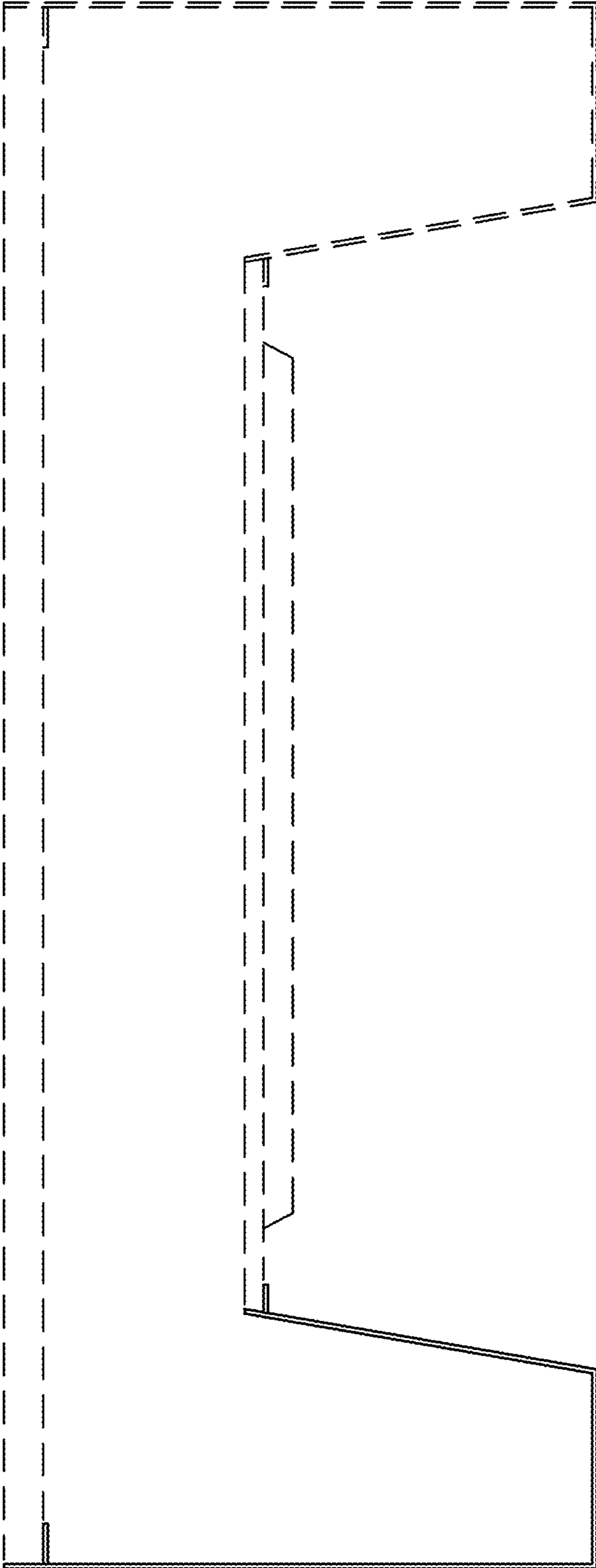


FIG. 3

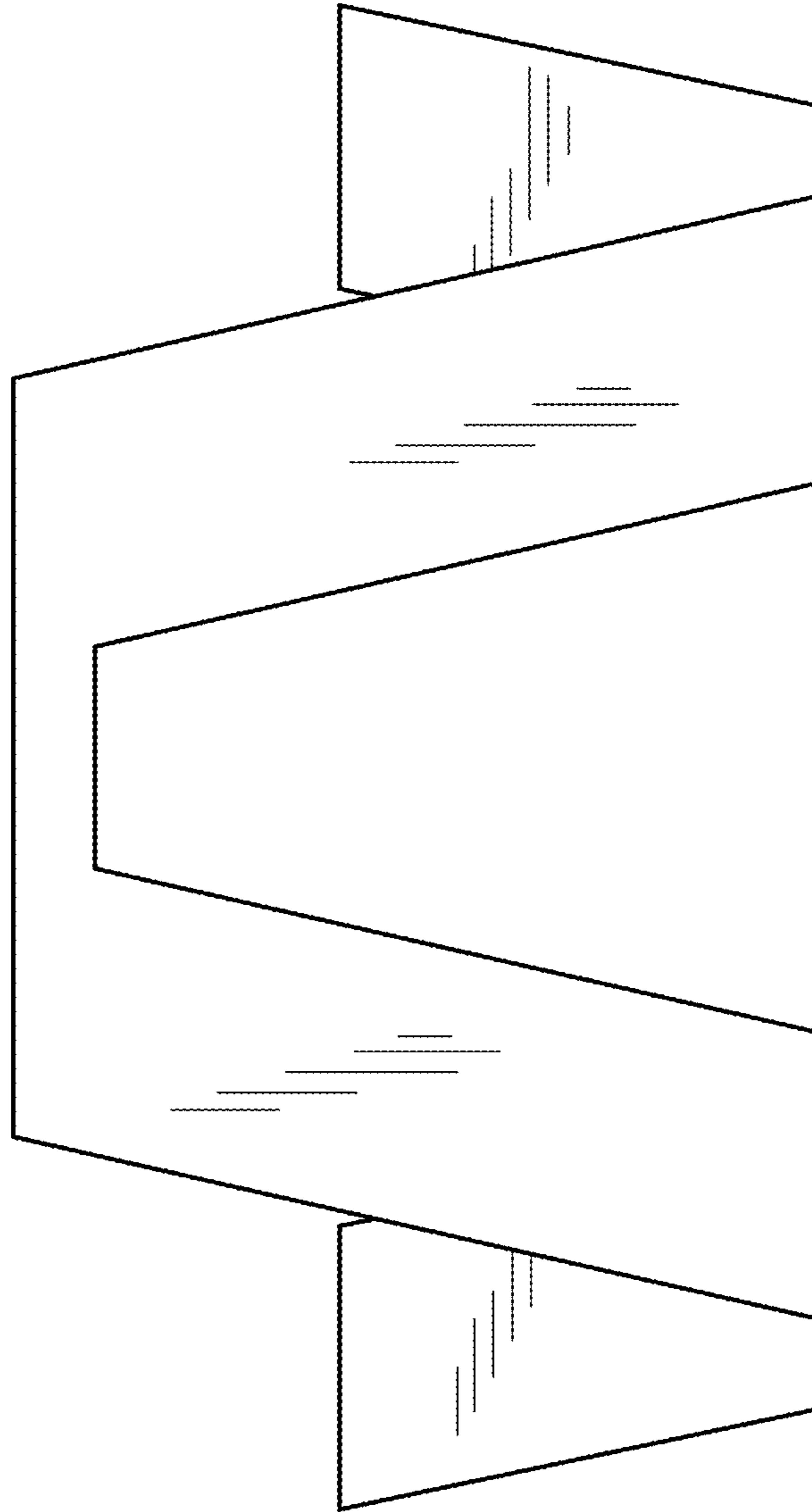


FIG. 4

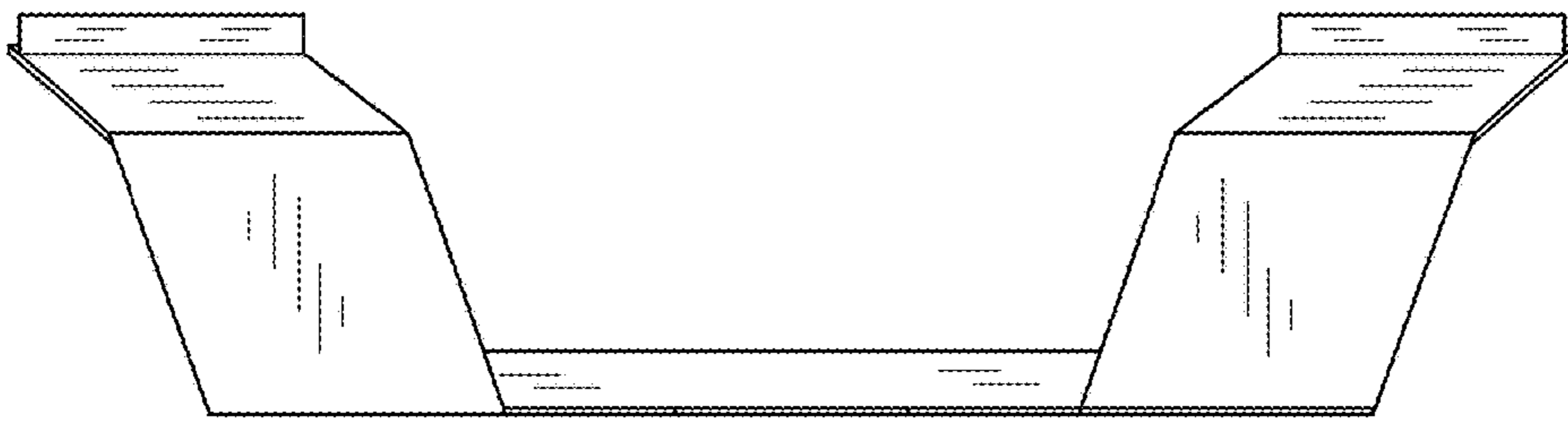


FIG. 6

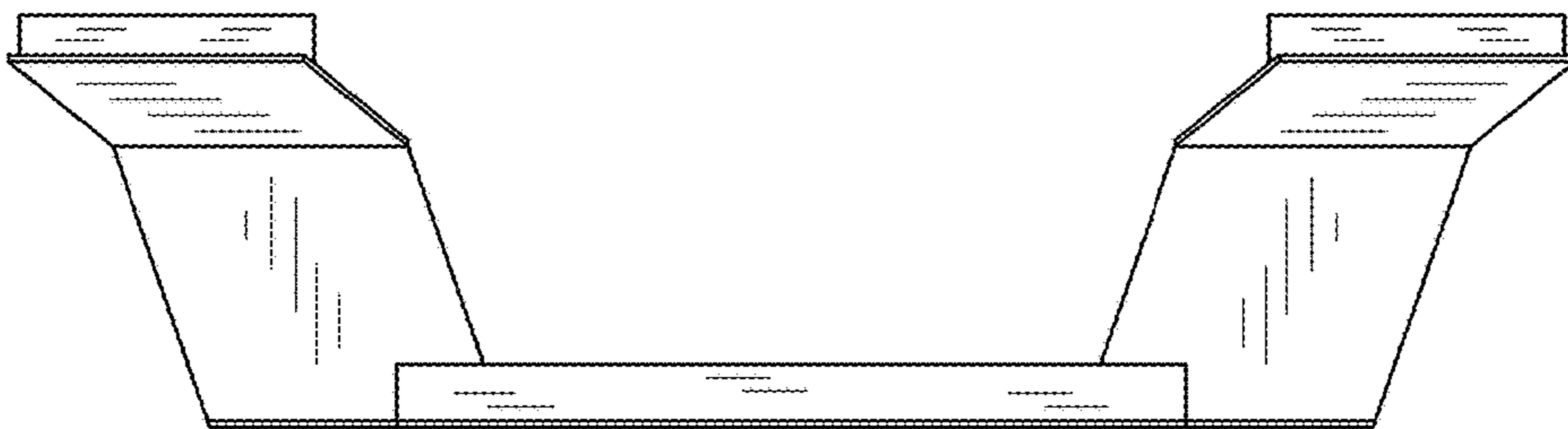


FIG. 5