



US00D822416S

(12) **United States Design Patent**
Tsukii

(10) **Patent No.:** **US D822,416 S**
(45) **Date of Patent:** **** Jul. 10, 2018**

(54) **BAR COUNTER**

(71) Applicant: **Toshikazu Tsukii**, Oro Valley, AZ (US)

(72) Inventor: **Toshikazu Tsukii**, Oro Valley, AZ (US)

(**) Term: **15 Years**

(21) Appl. No.: **29/606,938**

(22) Filed: **Jun. 8, 2017**

(51) **LOC (11) Cl.** **06-03**

(52) **U.S. Cl.**
USPC **D6/699**

(58) **Field of Classification Search**

USPC D6/641, 642, 648, 648.1, 648.2, 648.3,
D6/648.4, 649, 653, 655, 655.11, 655.13,
D6/656, 656.15, 699, 708, 708.16,
D6/708.17, 709, 709.2
CPC A47B 7/00; A47B 13/08; A47B 13/10;
A47B 21/00; A47B 2009/006; A47B
11/00; A47B 2200/002

See application file for complete search history.

(56) **References Cited**

U.S. PATENT DOCUMENTS

D352,845 S * 11/1994 Hellwig D6/656.16
D370,579 S * 6/1996 Simon D6/656.16
D374,787 S * 10/1996 Stoddard D6/656.16
5,957,062 A * 9/1999 Cox A47B 3/0815
108/133
D449,471 S * 10/2001 Petersen D6/690

D568,630 S * 5/2008 Paterson D6/708
D586,591 S * 2/2009 Stoller D6/708
D596,426 S * 7/2009 Pai D6/708
D596,881 S * 7/2009 Kitada D6/708
D627,176 S * 11/2010 Lin D6/653.15
D648,161 S * 11/2011 Truckor D6/708
D649,378 S * 11/2011 Rogers D6/708.16
D690,541 S * 10/2013 Rogers D6/675.5
D721,245 S * 1/2015 Agati D6/709
8,967,054 B2 * 3/2015 Henriott A47B 13/06
108/147.19
D738,144 S * 9/2015 Rogers D6/675.5
D801,736 S * 11/2017 Paul D6/684
2012/0304900 A1 * 12/2012 Henriott A47B 13/06
108/91

* cited by examiner

Primary Examiner — Mary Ann Calabrese

Assistant Examiner — Slaon Rozin

(74) *Attorney, Agent, or Firm* — Eugene Vamos

(57) **CLAIM**

The ornamental design for a bar counter, as shown.

DESCRIPTION

FIG. 1 is a perspective view of a bar counter showing my new design;

FIG. 2 is a front elevation view thereof;

FIG. 3 is a back elevation view thereof;

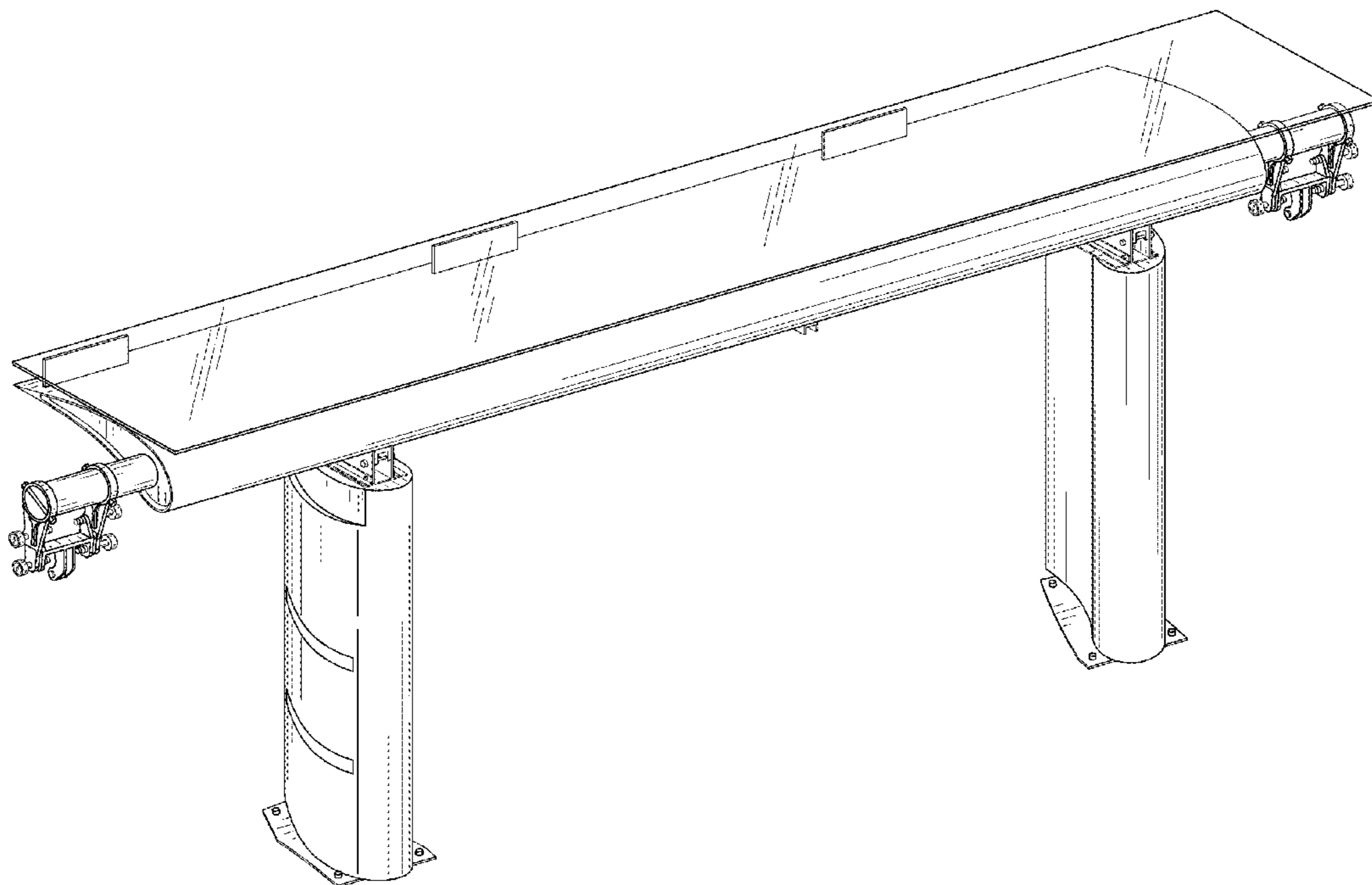
FIG. 4 is a right side elevation view thereof;

FIG. 5 is left side elevation view thereof;

FIG. 6 is a top plan view of thereof; and,

FIG. 7 is a bottom plan view thereof.

1 Claim, 5 Drawing Sheets



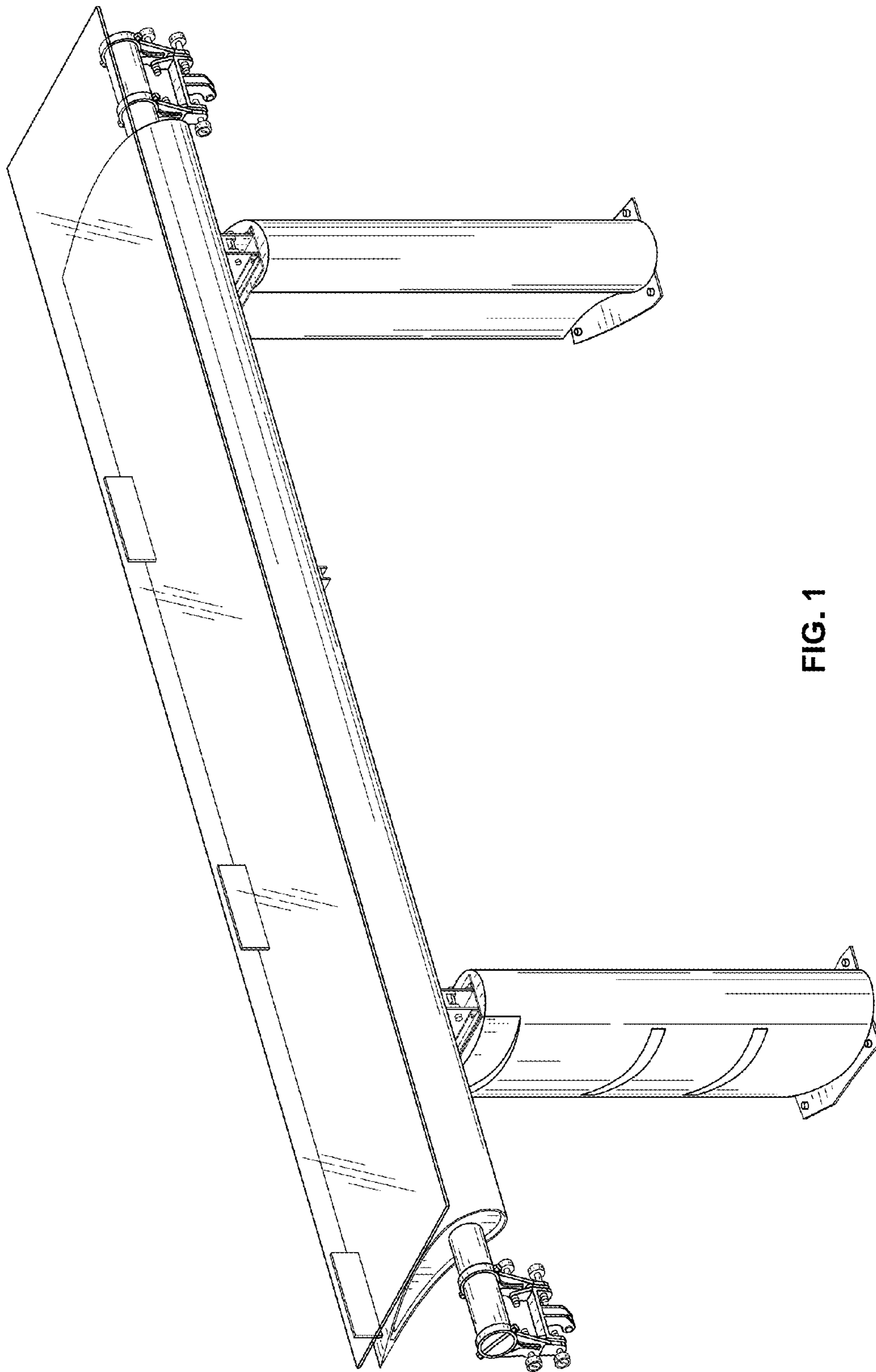


FIG. 1

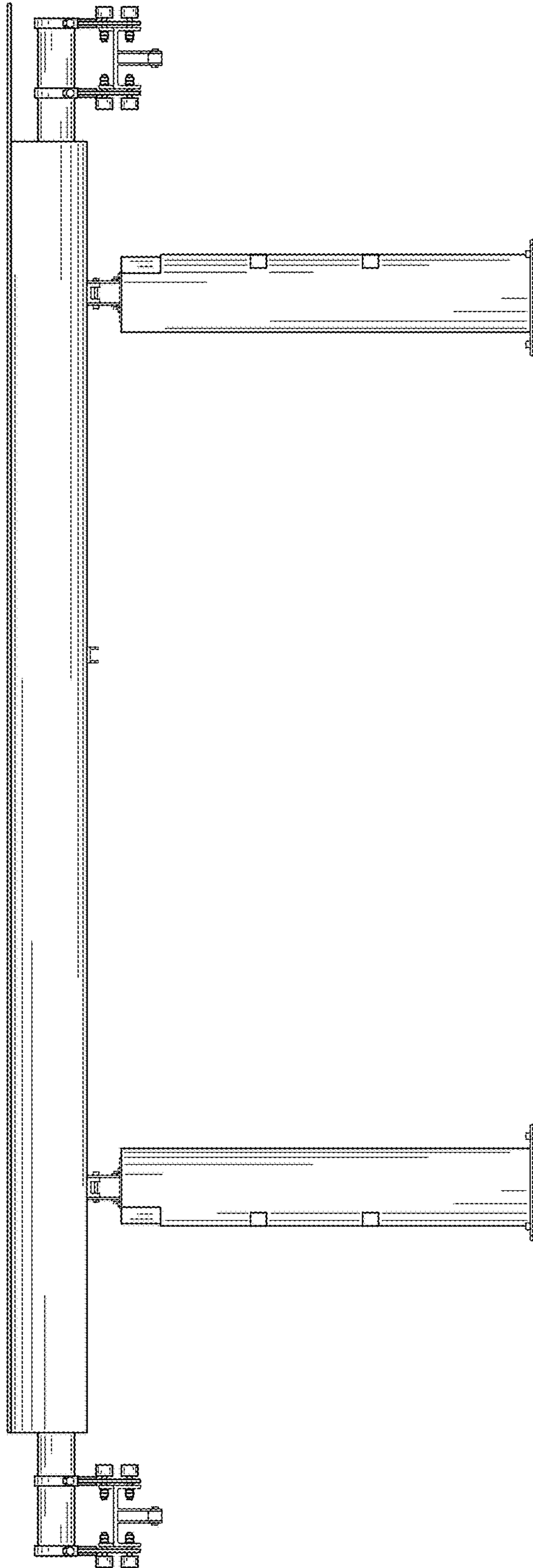


FIG. 2

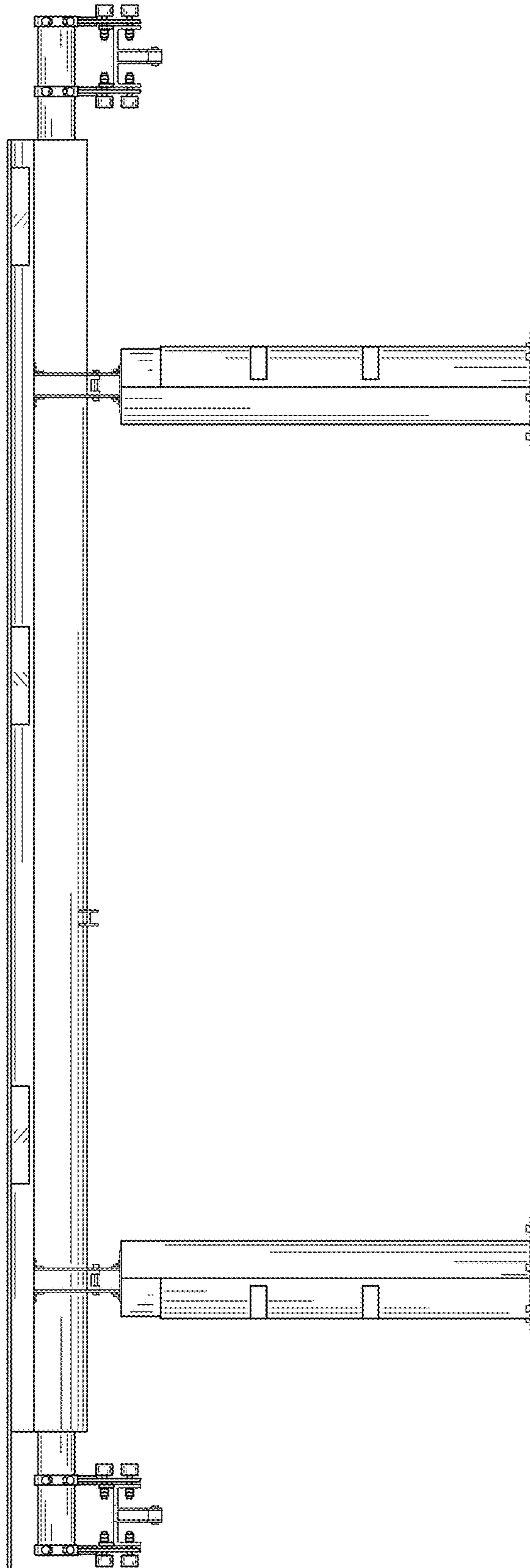


FIG. 3

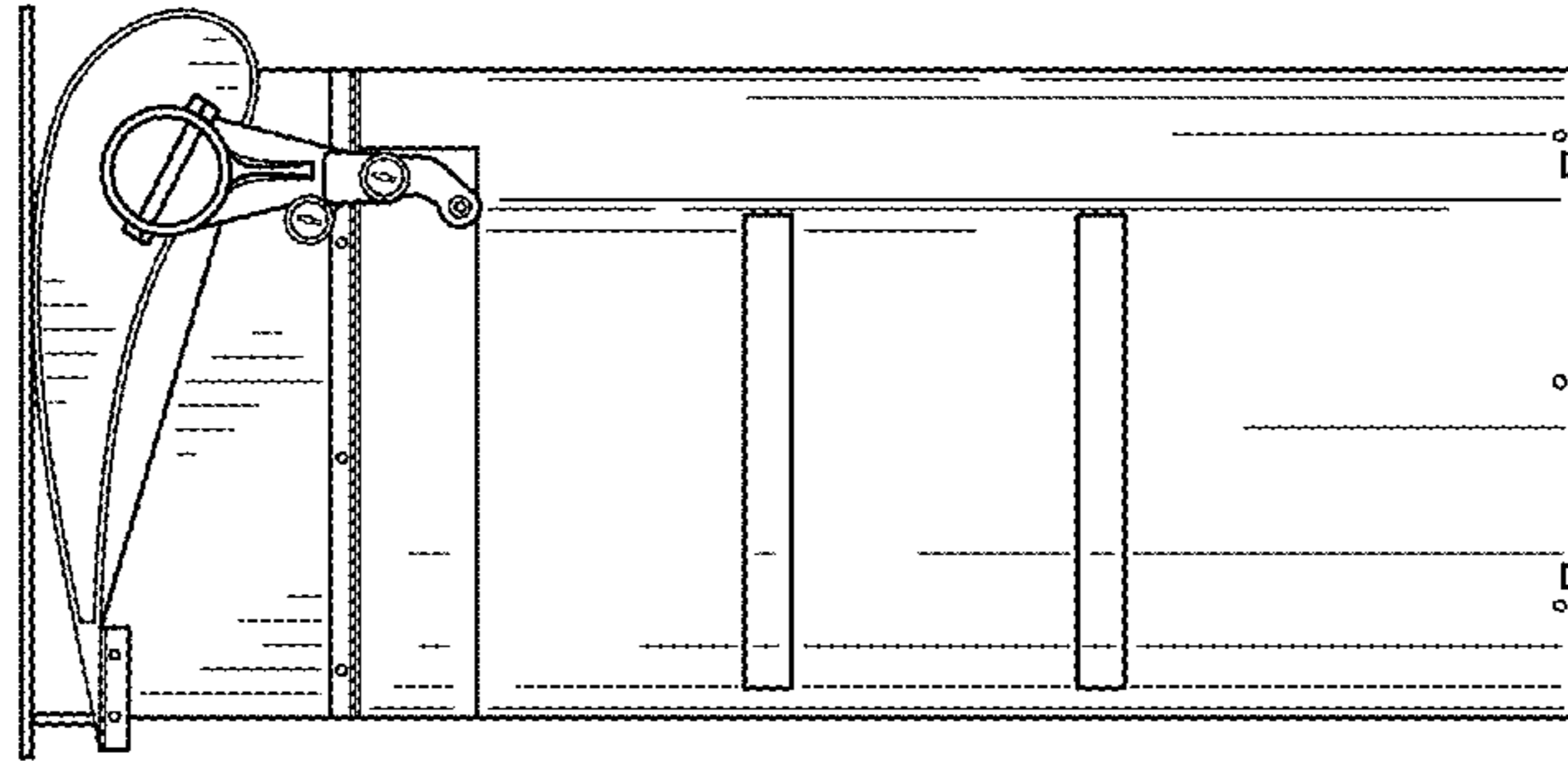


FIG. 5

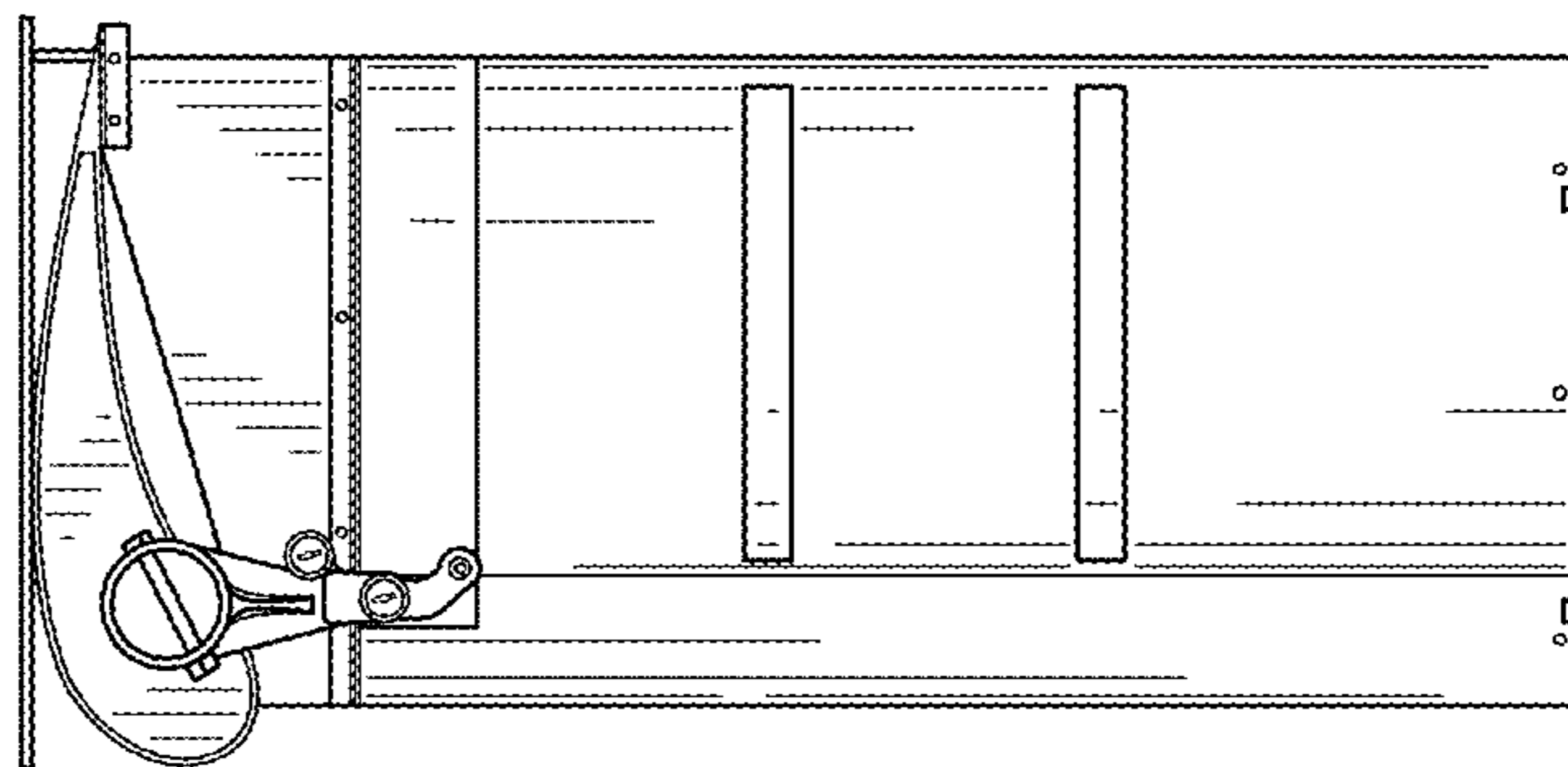


FIG. 4

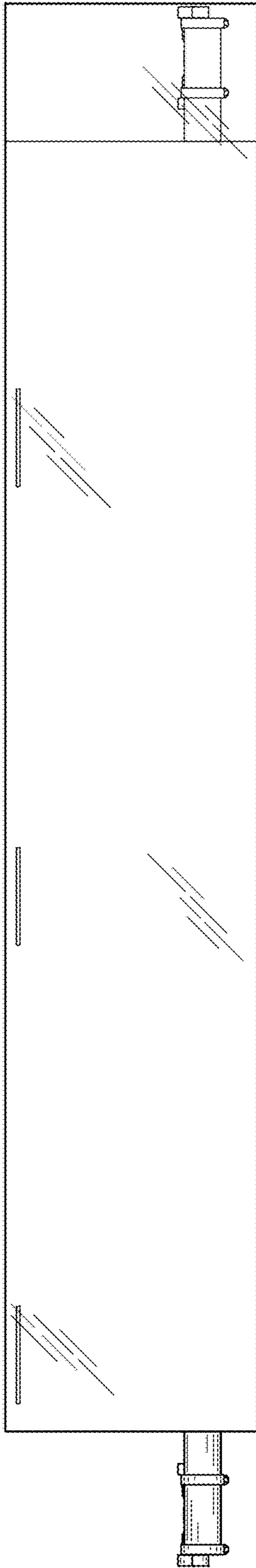


FIG. 6

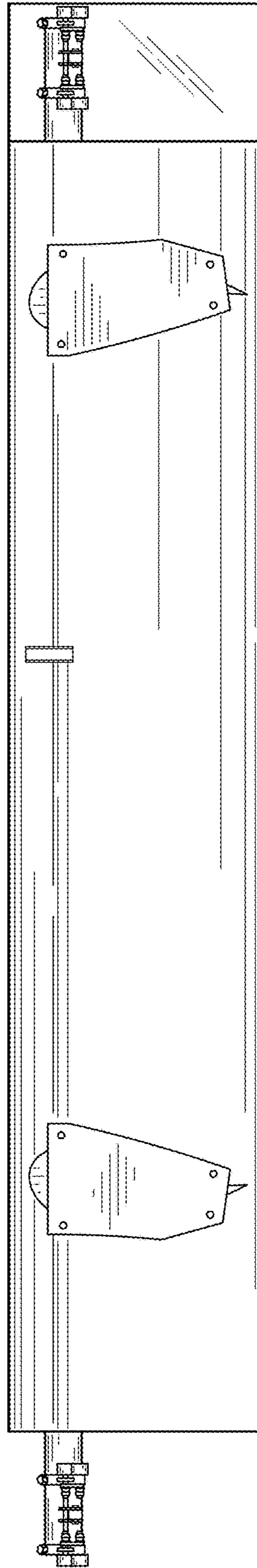


FIG. 7