



US00D822415S

(12) **United States Design Patent**
Hendifar et al.

(10) **Patent No.:** **US D822,415 S**
(45) **Date of Patent:** **** Jul. 10, 2018**

(54) **COFFEE TABLE**

(71) Applicant: **APPARATUS LLC**, New York, NY
(US)

(72) Inventors: **Gabriel Hendifar**, Rhinebeck, NY
(US); **Jeremy R. Anderson**, Rhinebeck,
NY (US)

(73) Assignee: **APPARATUS LLC**, New York, NY
(US)

(**) Term: **15 Years**

(21) Appl. No.: **29/558,090**

(22) Filed: **Mar. 15, 2016**

(51) **LOC (11) Cl.** **06-03**

(52) **U.S. Cl.**
USPC **D6/693**

(58) **Field of Classification Search**
USPC ... D6/641, 642, 644, 649, 656, 656.16, 685,
D6/690, 693, 693.1-693.3, 697
CPC A47B 7/00; A47B 13/00; A47B 13/003;
A47B 13/02; A47B 13/08; A47B 21/00;
A47B 87/002; A47B 2200/0001; A47B
2200/0003; A47B 2200/0011
See application file for complete search history.

(56) **References Cited**

U.S. PATENT DOCUMENTS

D164,425 S * 9/1951 Jones D6/650
D253,624 S * 12/1979 Browne D6/693.3
D268,384 S * 3/1983 Rosen D6/693.3

D366,374 S * 1/1996 Reese D6/649
D613,526 S * 4/2010 Priestman D6/697.1
D647,723 S * 11/2011 Ruggiero D6/643
D750,405 S * 3/2016 Muller D6/708.17

OTHER PUBLICATIONS

Web page from online catalogue of Chairish, Inc.; © 2016 Chairish inc. All rights reserved. 570 Pacific Avenue 2nd Floor San Francisco, CA 94113; <https://www.chairish.com/product/279152/2-piece-travertine-triangle-coffee-table>.

* cited by examiner

Primary Examiner — Mary Ann Calabrese
(74) *Attorney, Agent, or Firm* — Gottlieb, Rackman & Reisman, P.C.

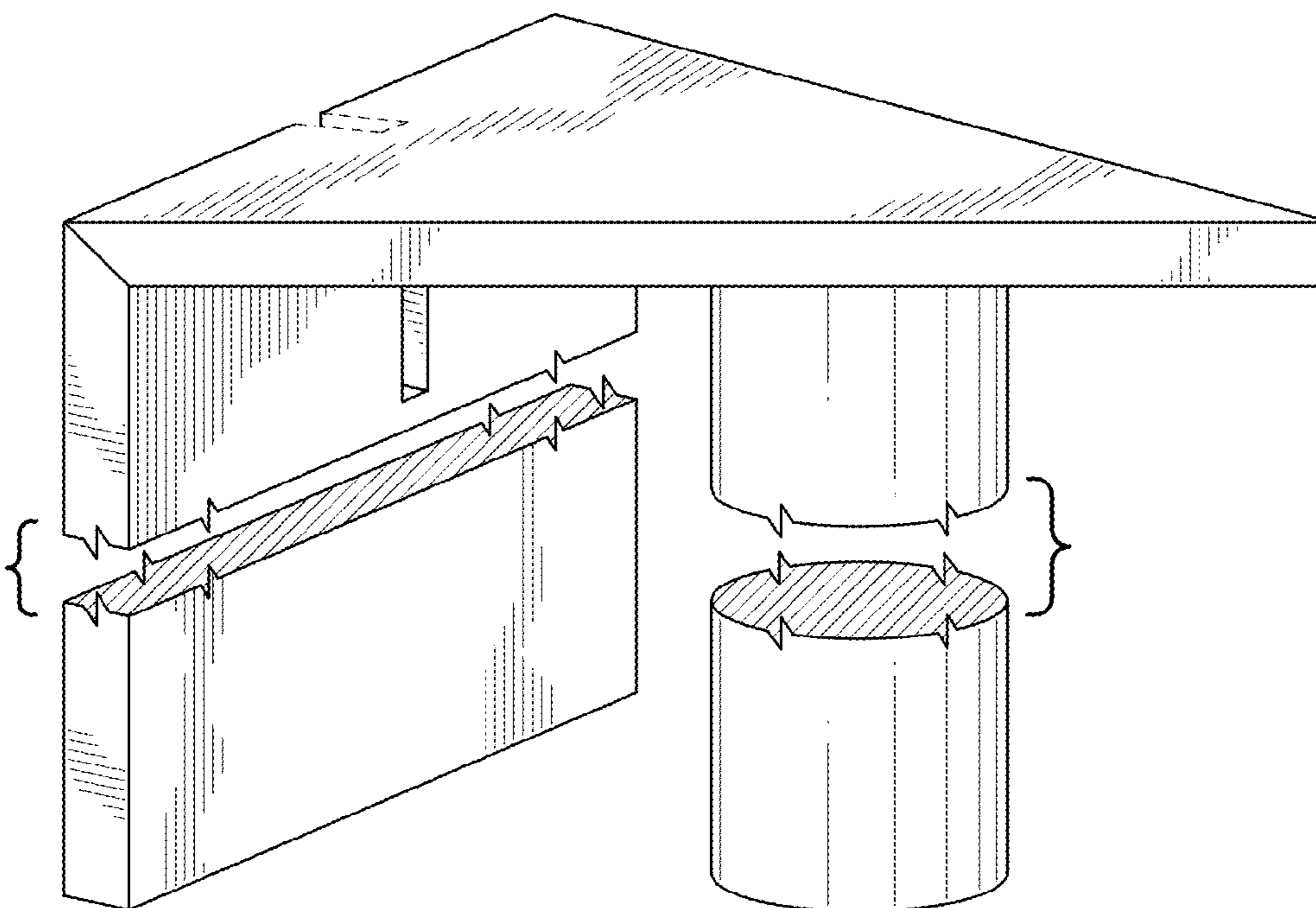
(57) **CLAIM**

The ornamental design for a coffee table, as shown and described.

DESCRIPTION

FIG. 1 is a perspective view of the coffee table, showing our design;
FIG. 2 is a right side elevation view thereof;
FIG. 3 is the left side elevation view thereof;
FIG. 4 is a front elevation view thereof;
FIG. 5 is a rear elevation view thereof;
FIG. 6 is a top plan view thereof; and,
FIG. 7 is a bottom plan view thereof.
The broken lines in the drawings show portions of the coffee table that form no part of the claimed design.

1 Claim, 7 Drawing Sheets



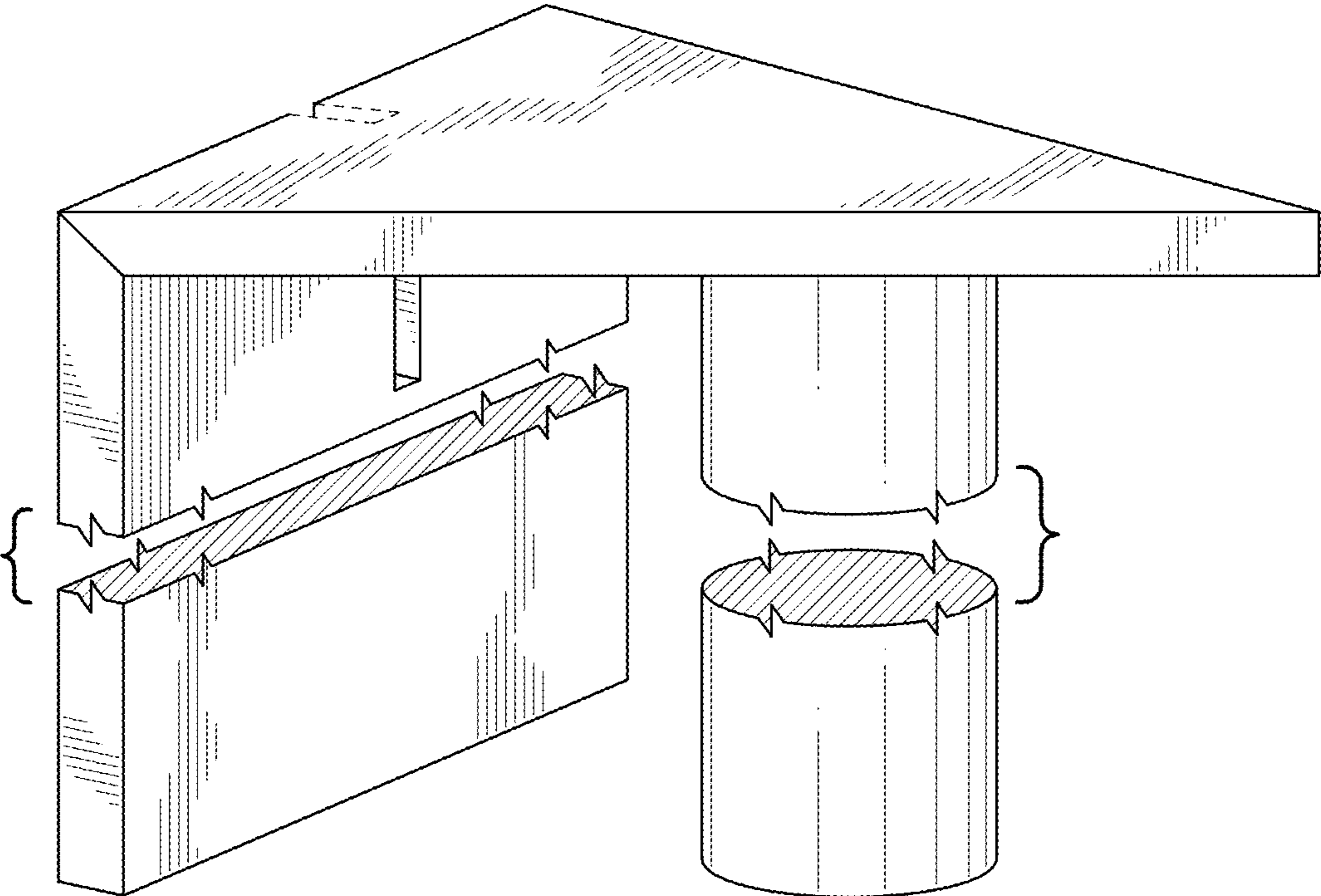


FIG. 1

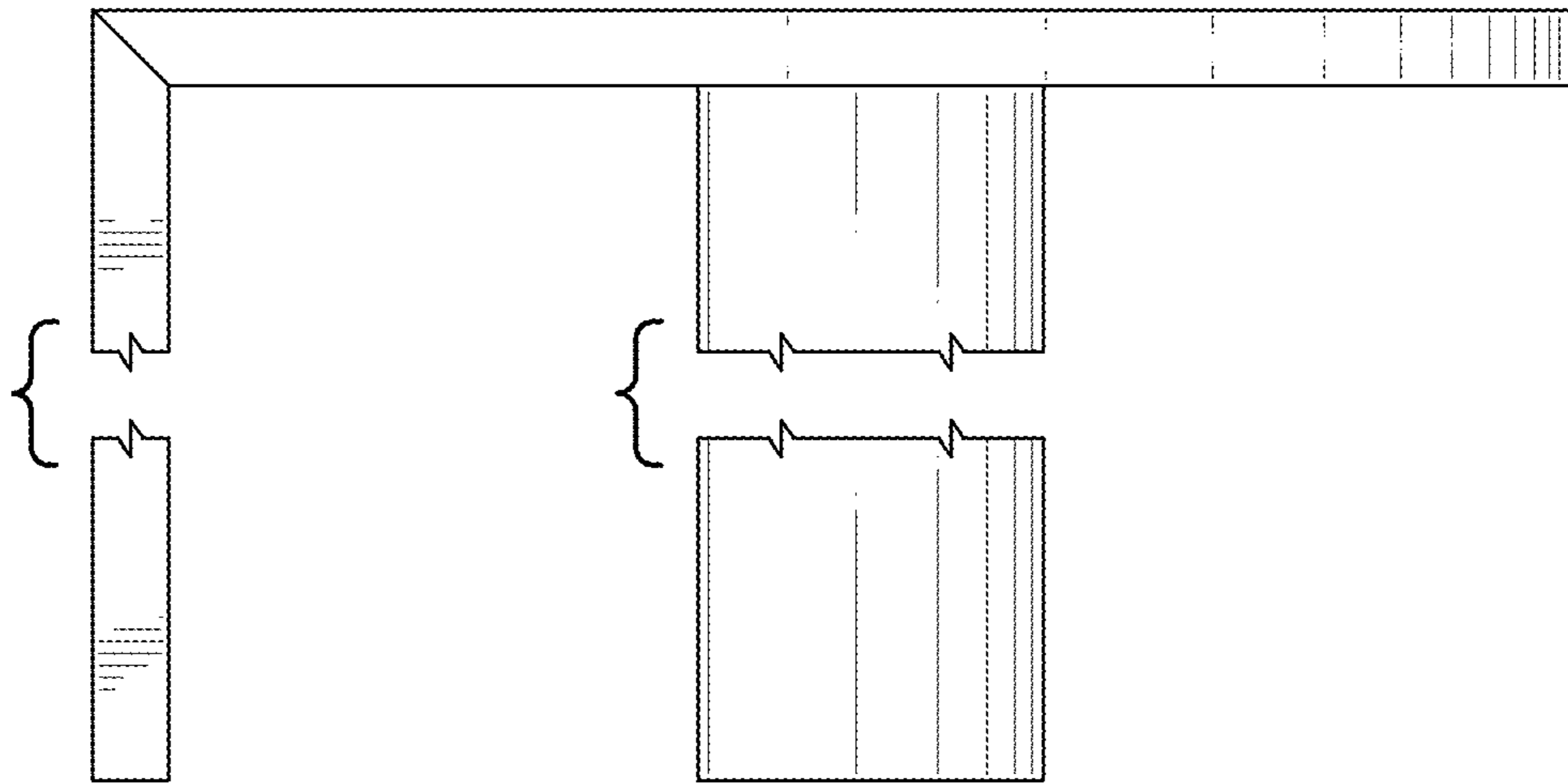


FIG.2

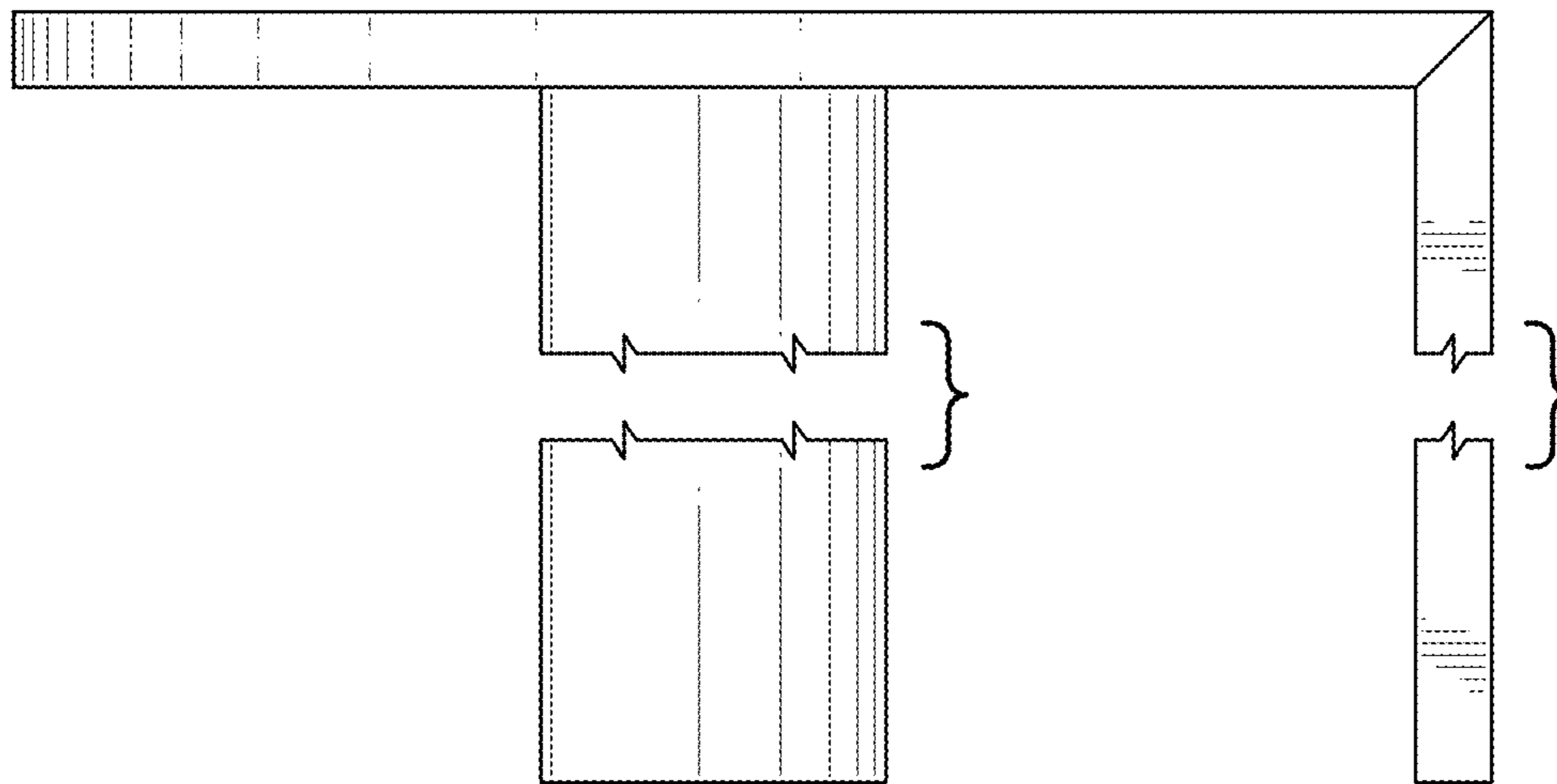


FIG. 3

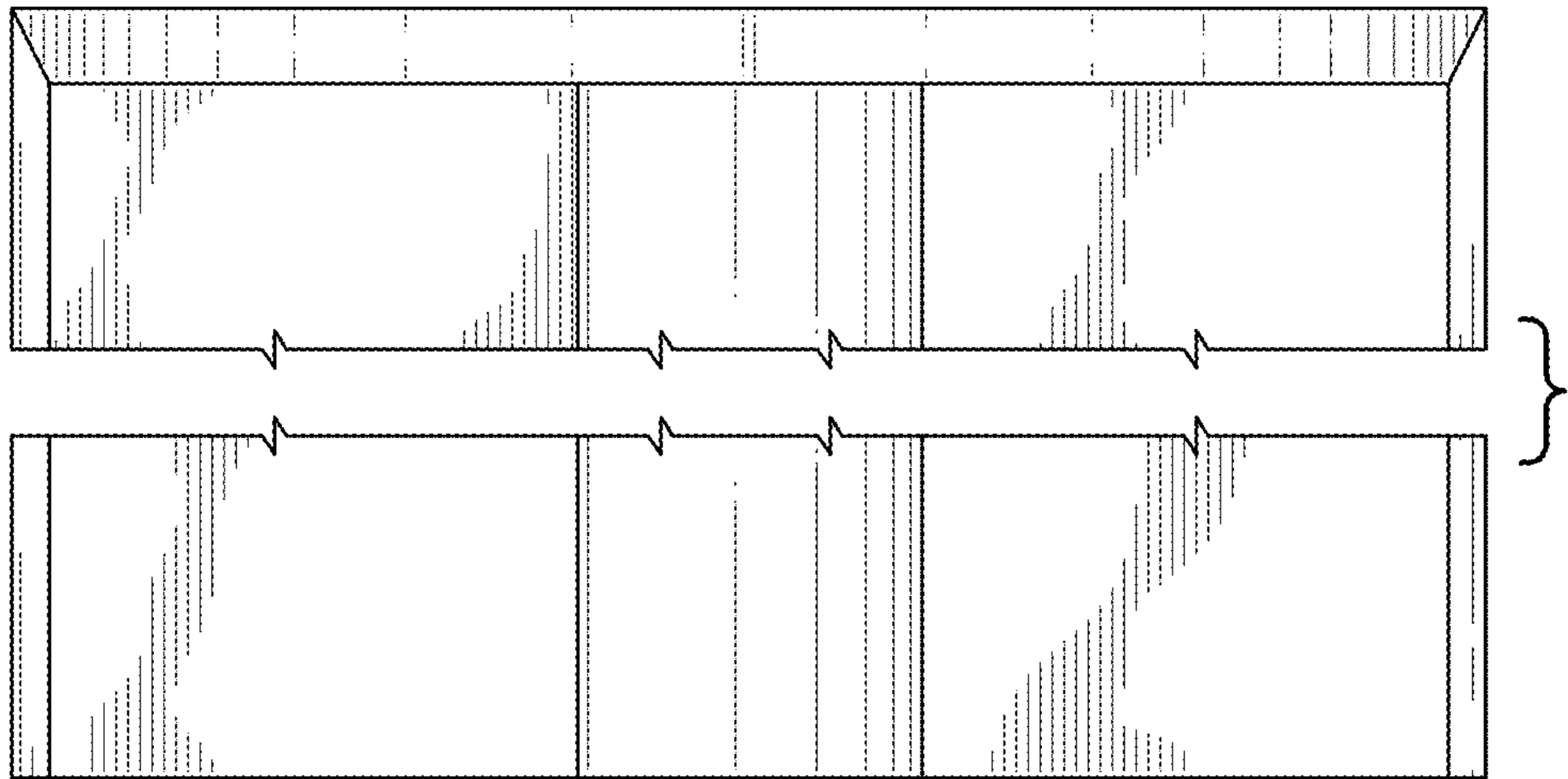


FIG.4

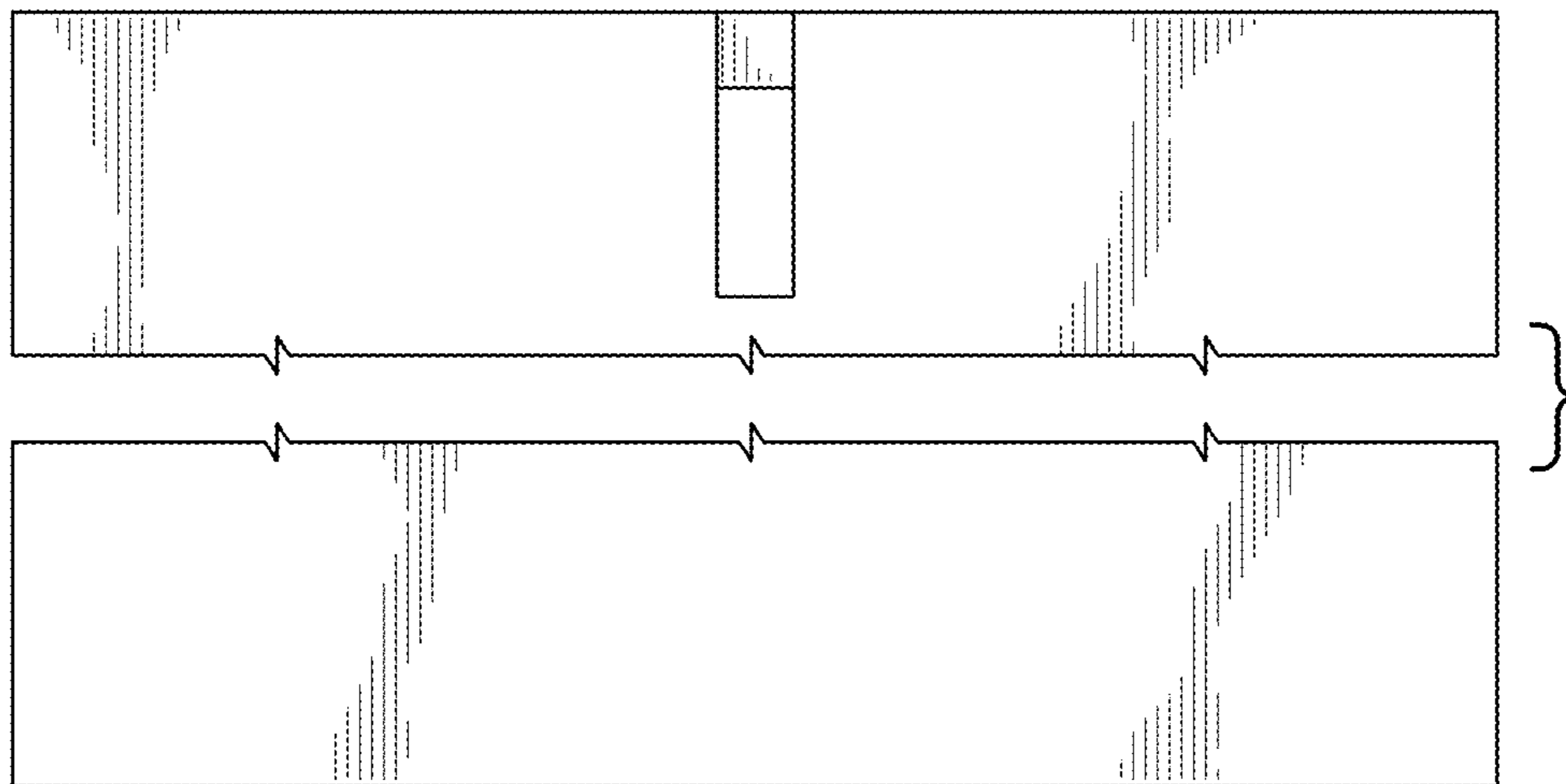


FIG. 5

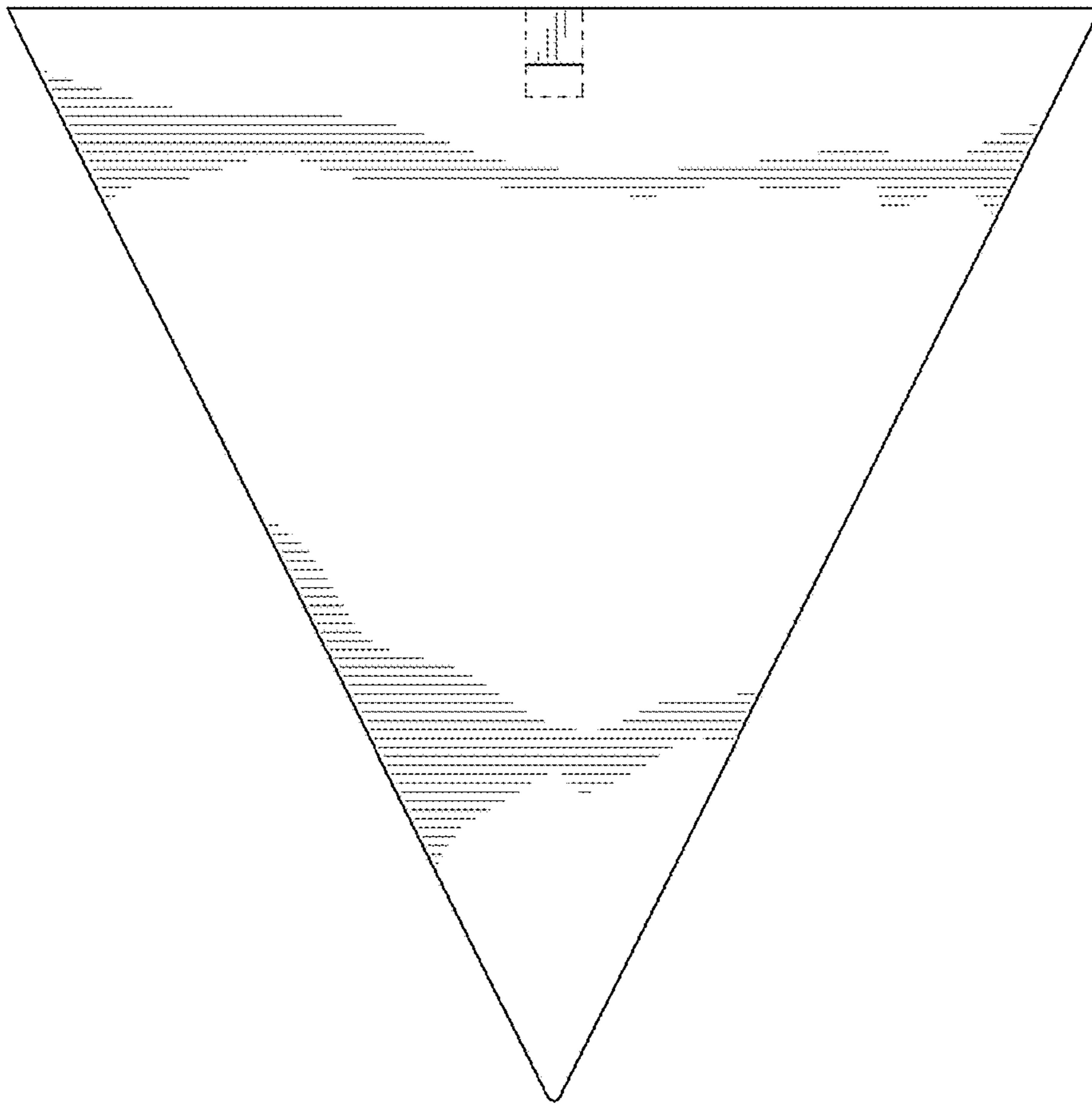


FIG. 6

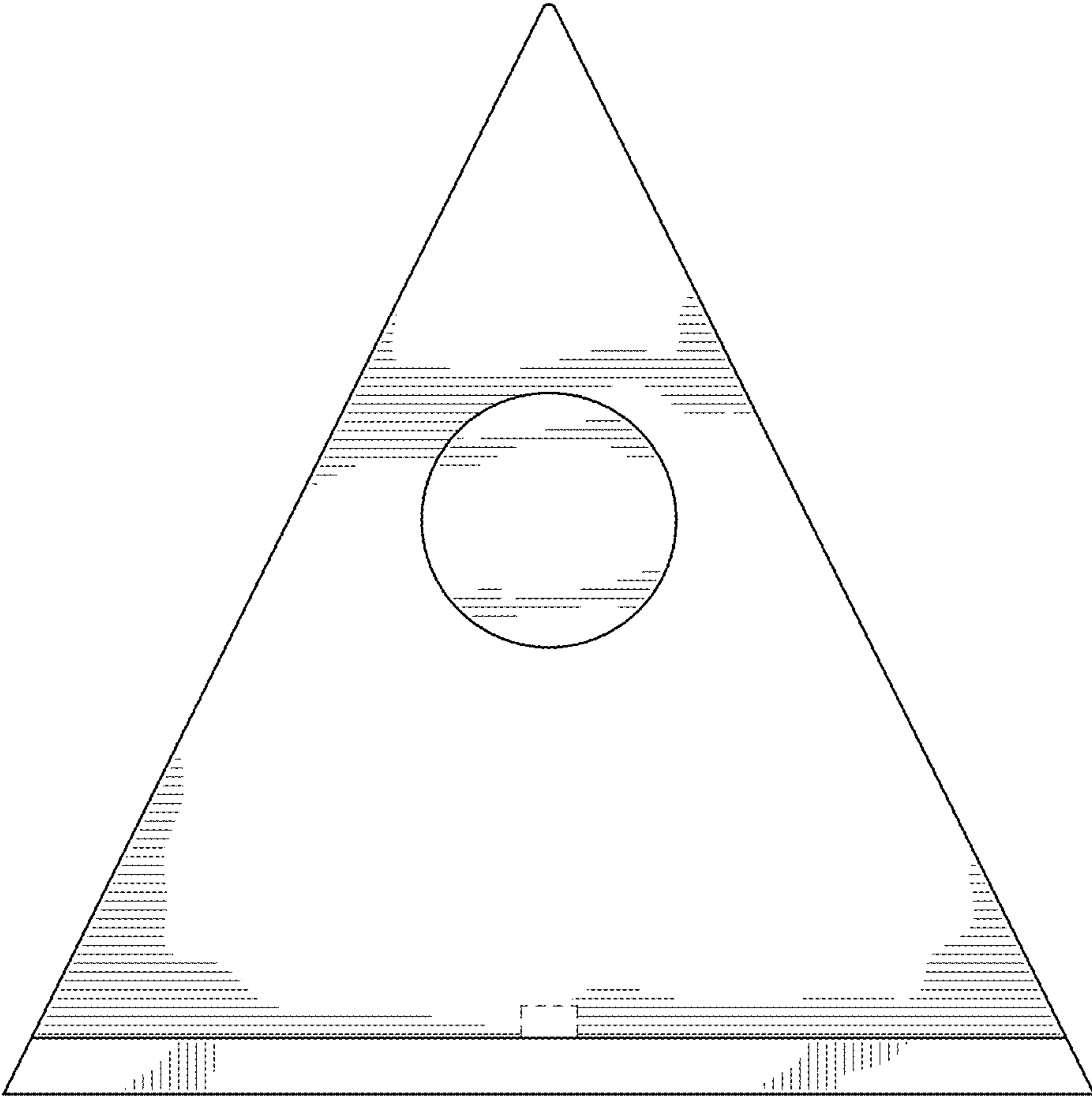


FIG. 7