



US00D822412S

(12) **United States Design Patent**
Nelson

(10) **Patent No.:** **US D822,412 S**
(45) **Date of Patent:** **** Jul. 10, 2018**

- (54) **MAGNETIC SHELF**
- (71) Applicant: **Kelly Nelson**, Seatac, WA (US)
- (72) Inventor: **Kelly Nelson**, Seatac, WA (US)
- (**) Term: **15 Years**
- (21) Appl. No.: **29/547,218**
- (22) Filed: **Dec. 2, 2015**
- (51) **LOC (11) Cl.** **06-06**
- (52) **U.S. Cl.**
USPC **D6/673; D6/574**
- (58) **Field of Classification Search**
USPC D6/672, 673, 678, 680.2, 683, 684, 705,
D6/512, 538, 547, 567; D20/42;
D8/380, 381
CPC A47F 5/0068; A47F 5/0025; A47B 96/027;
B25H 3/06; B65D 1/34; B65D 21/00;
B65D 2313/04
See application file for complete search history.

D407,558 S *	4/1999	Huguet	D3/314
D416,421 S *	11/1999	Hampshire	D3/304
D419,301 S *	1/2000	Hampshire	D3/304
6,041,717 A *	3/2000	Kubat	B60R 11/06 108/44
D451,367 S *	12/2001	Nakamura	D8/330
D529,737 S *	10/2006	Terada	D6/678
D550,482 S *	9/2007	Belokin	A47F 5/0068 D6/683
D575,966 S *	9/2008	Hopkins	D3/313
D575,972 S *	9/2008	Shiao	D6/567
D579,660 S *	11/2008	Snider	D3/304
D595,423 S *	6/2009	Johansson	D24/229
D602,722 S *	10/2009	Sandine	D6/553
D616,688 S *	6/2010	Hernandez	D6/553
D632,901 S *	2/2011	Christoffel	D6/683
D640,489 S *	6/2011	Tuholski	D6/574

(Continued)

FOREIGN PATENT DOCUMENTS

WO 2002064457 A1 8/2002
Primary Examiner — John Windmuller
Assistant Examiner — Steven Czyz

(56) **References Cited**

U.S. PATENT DOCUMENTS

D109,467 S *	5/1938	Armstrong et al.	D6/678
D214,300 S *	5/1969	Giesecke et al.	D6/683
D218,352 S *	8/1970	Hoch et al.	D6/683
D234,908 S *	4/1975	Maslow et al.	D8/381
D261,936 S *	11/1981	Sumiyasu	D13/183
D283,657 S *	5/1986	Chaplin	D6/675
D289,122 S *	4/1987	Meyer	D3/266
D299,396 S *	1/1989	Meyer	D6/522
D301,101 S *	5/1989	Meyer	D6/553
D322,181 S *	12/1991	Georgopoulos	D6/678
5,078,280 A *	1/1992	Nordeen	B25H 5/00 211/119.003
D338,685 S *	8/1993	Dakich	D19/92
5,638,966 A *	6/1997	Kuntz	A47K 10/40 211/153
5,699,910 A *	12/1997	Kubat	B25H 3/06 206/373
D405,611 S *	2/1999	Hawkins	D3/313

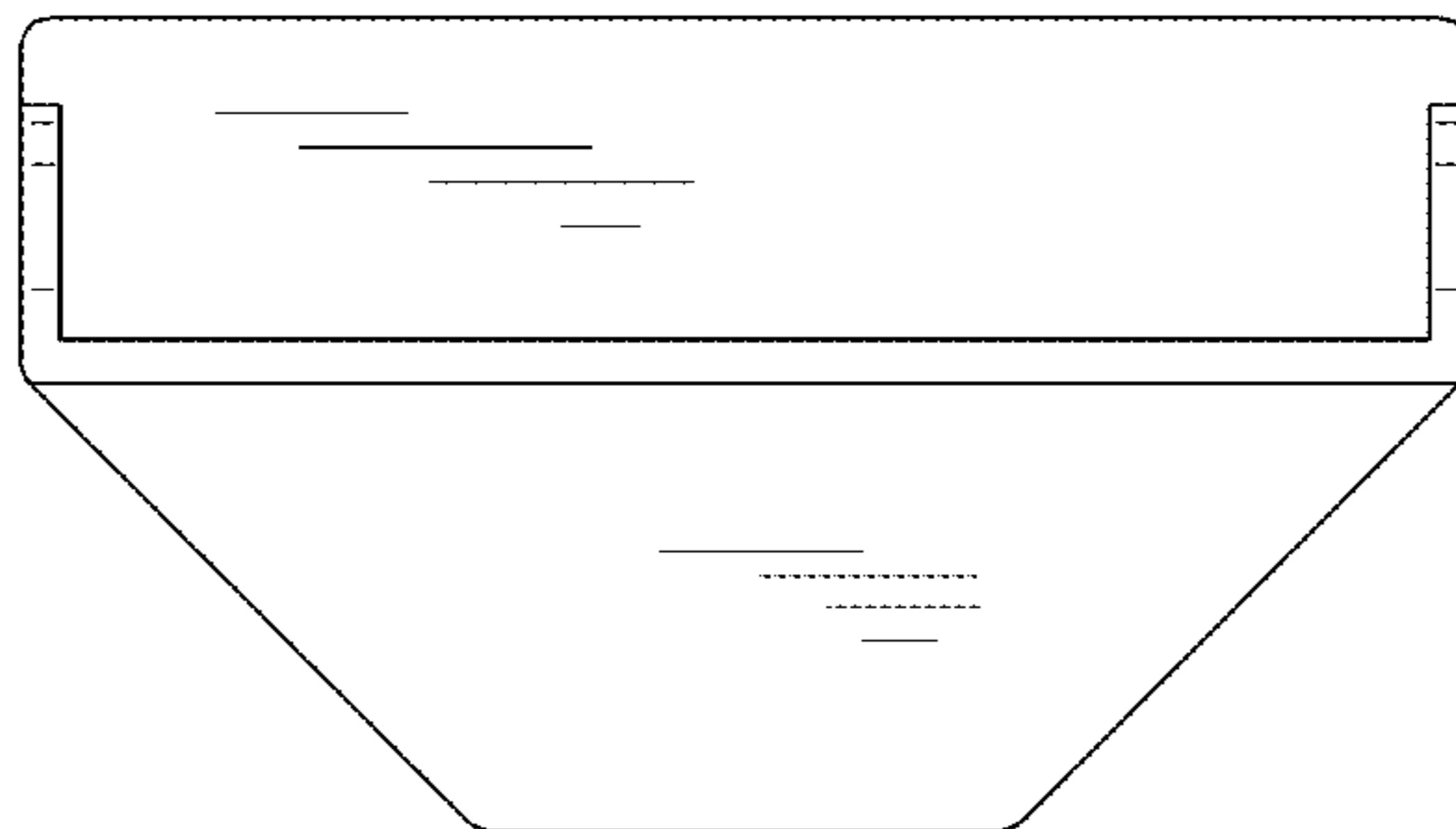
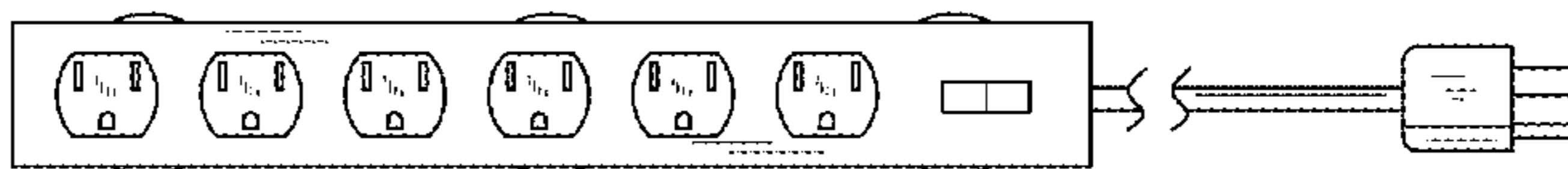
(57) **CLAIM**

I claim the ornamental design for a magnetic shelf, as shown and described.

DESCRIPTION

FIG. 1 is a front view of a magnetic shelf.
 FIG. 2 is a back view thereof.
 FIG. 3 is a left view thereof.
 FIG. 4 is a right view thereof.
 FIG. 5 is a top view thereof; and,
 FIG. 6 is a bottom view thereof.
 The cord on the power strip is shown broken away to indicate that it has no specific length other than what is shown.

1 Claim, 6 Drawing Sheets



(56)

References Cited

U.S. PATENT DOCUMENTS

D660,633	S	*	5/2012	Estrup	D6/574
D667,633	S	*	9/2012	Searcy	D3/313
D668,076	S	*	10/2012	Gokey	D6/681.1
D690,533	S	*	10/2013	Majcher	D6/574
D711,665	S	*	8/2014	Mattei	D6/567
8,967,562	B1	*	3/2015	Bileth	A47G 23/0225 220/23.2
D745,817	S	*	12/2015	Amash	D3/313
D757,184	S	*	5/2016	Balanchi	D21/404
D771,044	S	*	11/2016	Nguyen	D14/385
D775,466	S	*	1/2017	Wang	D3/304
D775,827	S	*	1/2017	Wang	D3/304
D775,828	S	*	1/2017	Wang	D3/304
D775,829	S	*	1/2017	Wang	D3/304
D775,931	S	*	1/2017	van Hillo	D8/349
D776,965	S	*	1/2017	Anderson	D6/705
2006/0283819	A1	*	12/2006	Larsen	A47F 1/12 211/59.2

* cited by examiner

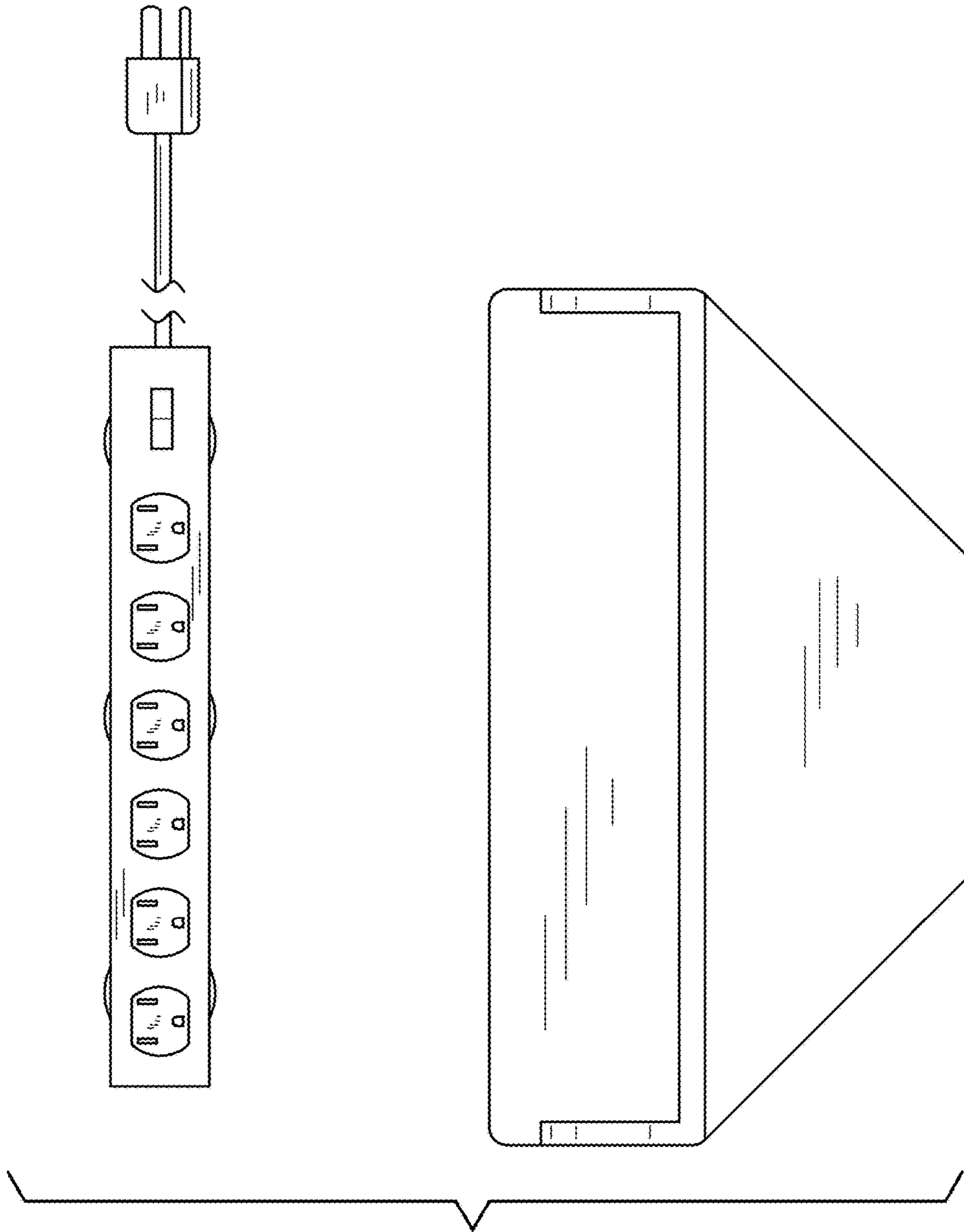


FIG. 1

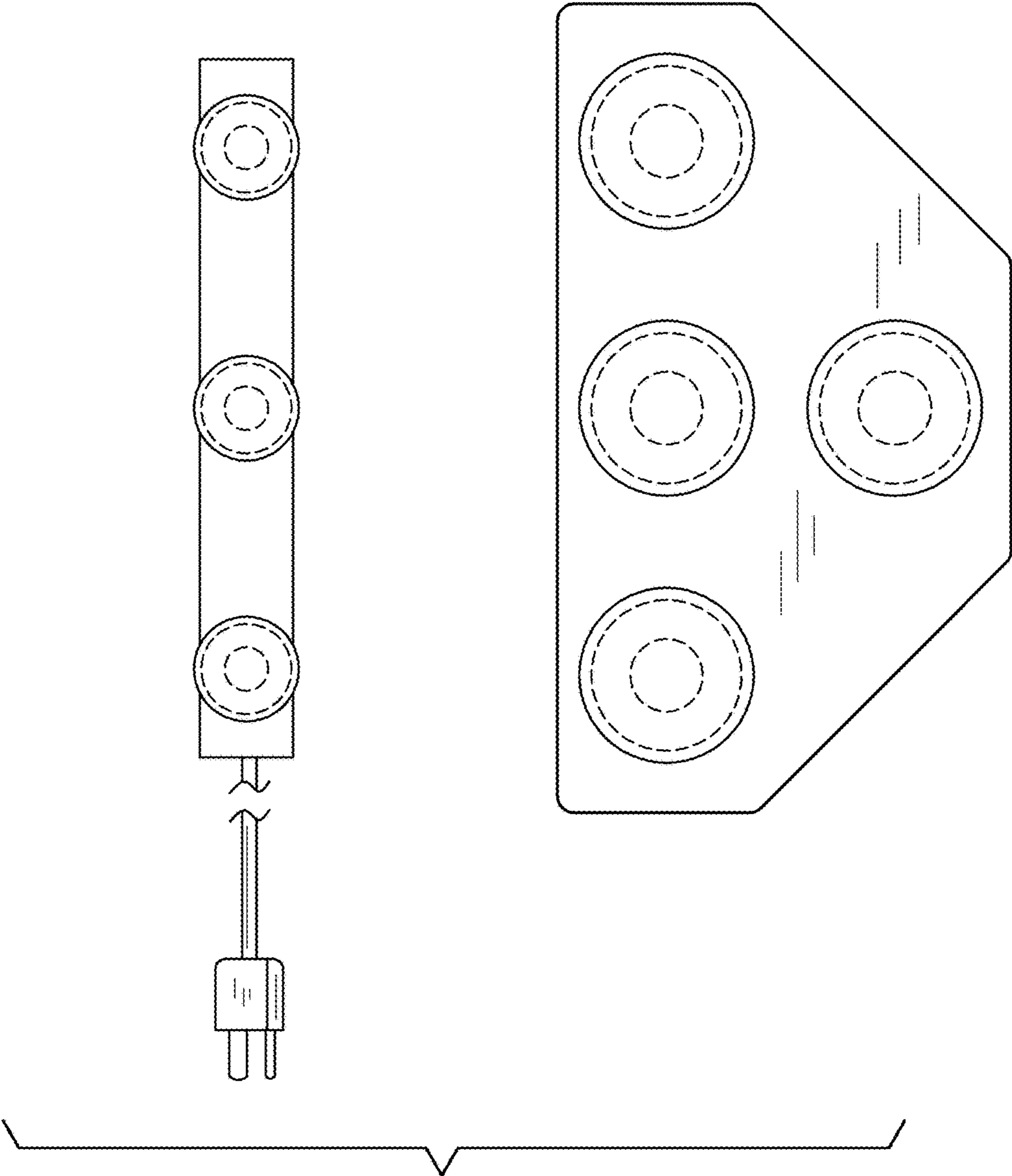


FIG. 2

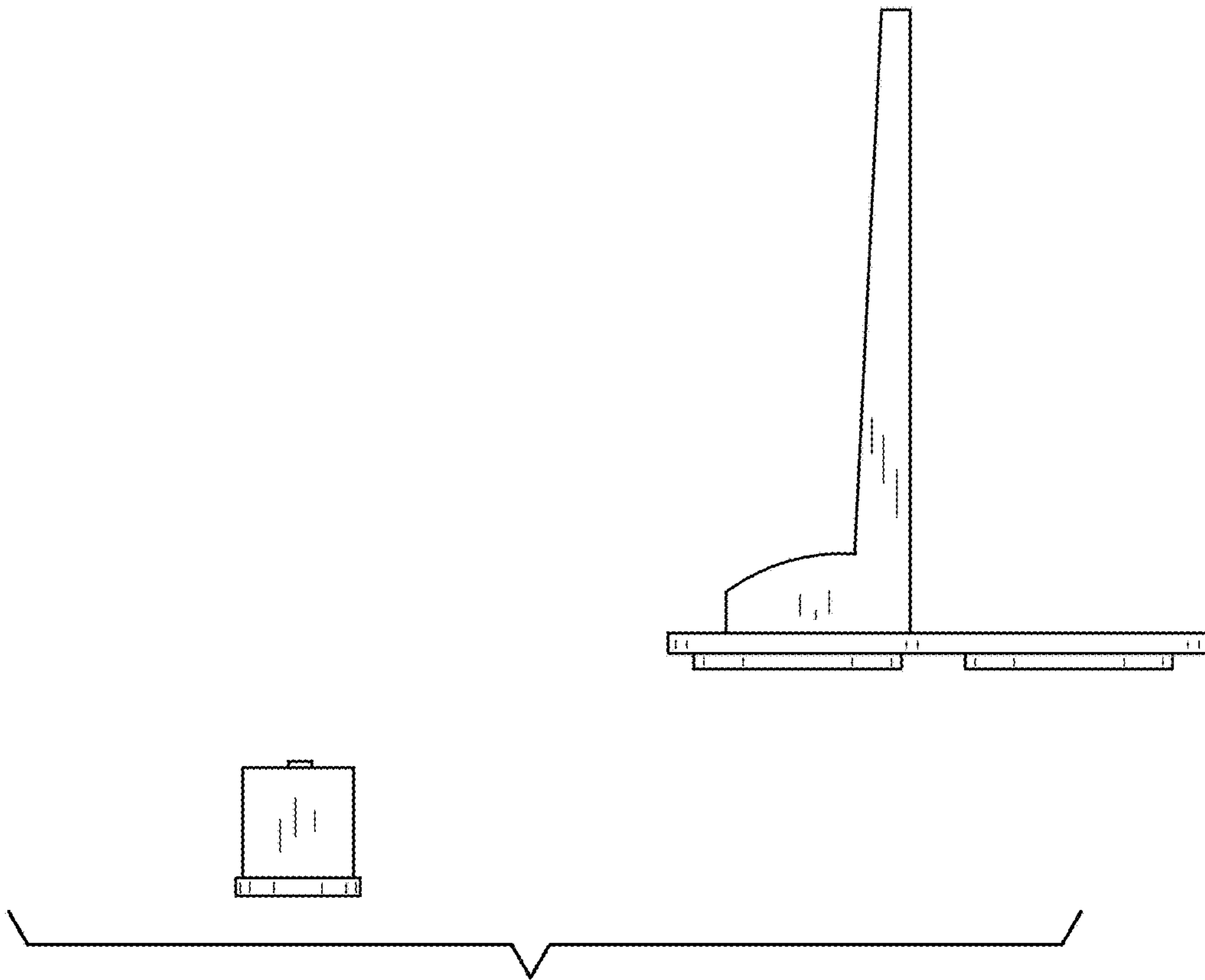


FIG. 3

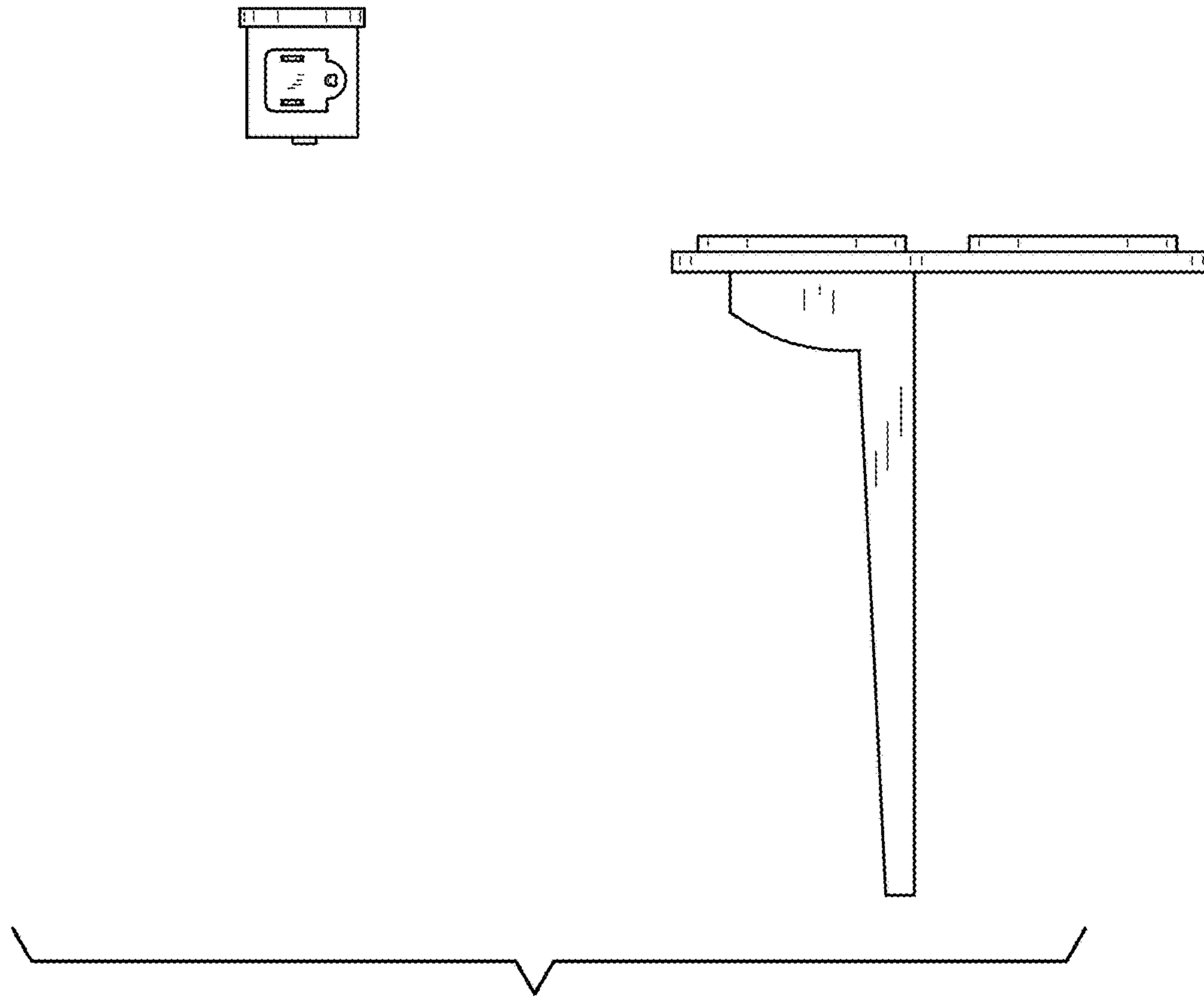


FIG. 4

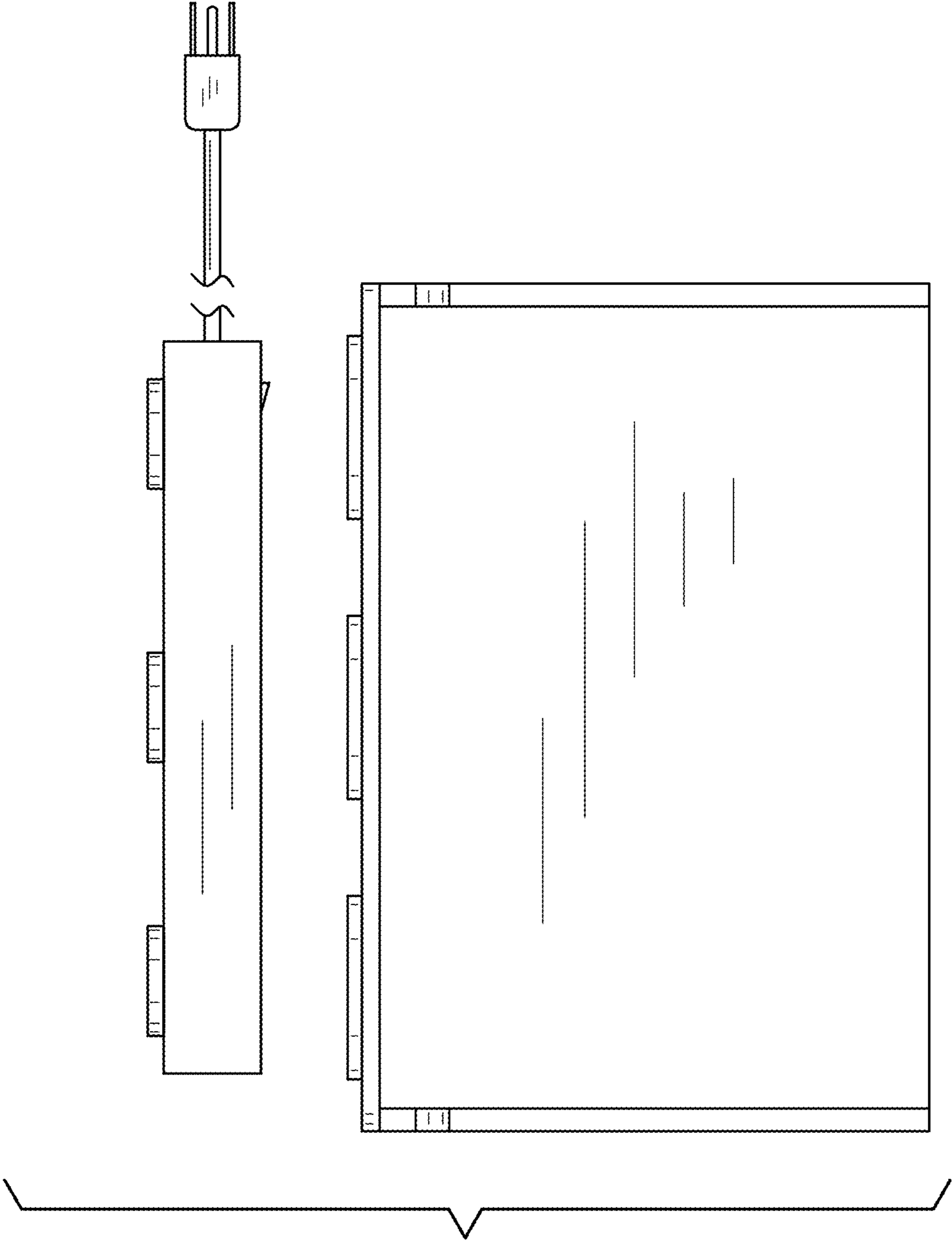


FIG. 5

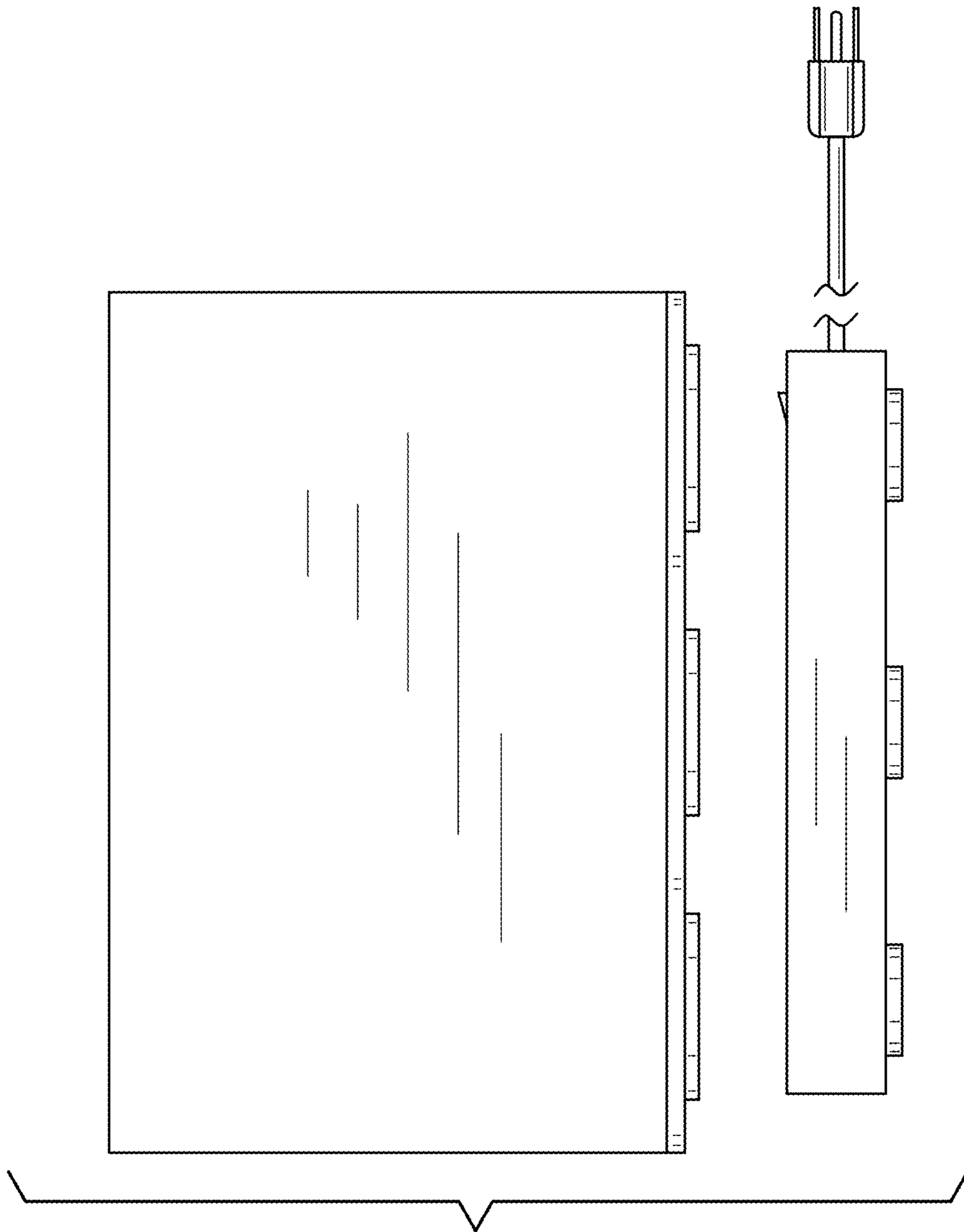


FIG. 6