



US00D822411S

(12) **United States Design Patent**
Monteiro

(10) **Patent No.:** **US D822,411 S**
(45) **Date of Patent:** **** Jul. 10, 2018**

(54) **CABINET**

(71) Applicant: **Luciano Trindade de Sousa Monteiro,**
Sao Paulo (BR)

(72) Inventor: **Luciano Trindade de Sousa Monteiro,**
Sao Paulo (BR)

(**) Term: **15 Years**

(21) Appl. No.: **29/622,804**

(22) Filed: **Oct. 19, 2017**

Related U.S. Application Data

(63) Continuation of application No. 15/160,141, filed on
May 20, 2016.

(30) **Foreign Application Priority Data**

Dec. 17, 2015 (BR) 102015031758

(51) **LOC (11) Cl.** **06-04**

(52) **U.S. Cl.**
USPC **D6/671.2**

(58) **Field of Classification Search**
USPC D6/657, 661, 662, 662.1, 667, 671,
D6/671.1, 671.2, 671.3, 671.4; D34/19,
D34/21

CPC A47B 17/04; A47B 45/00; A47B 67/00;
A47B 67/04; A47B 88/00; A47B 88/40
See application file for complete search history.

(56) **References Cited**

U.S. PATENT DOCUMENTS

880,182 A 2/1908 Zura
2,628,879 A 2/1953 Schultz
2,702,225 A 2/1955 Hawkins
2,941,856 A 6/1960 Frick
4,120,549 A * 10/1978 Bureau A47B 67/04
312/330.1
4,294,348 A 10/1981 Hastings

4,489,996 A 12/1984 Norton et al.
D356,703 S * 3/1995 Dickinson D34/19
5,482,162 A 1/1996 Dickinson
D403,886 S * 1/1999 Geier D6/671.1
D423,817 S * 5/2000 Holcomb D6/671.1
D423,818 S * 5/2000 Holcomb D6/671
D427,807 S * 7/2000 Holcomb D6/671.1
D435,982 S * 1/2001 Gardner D6/671.2
6,375,289 B1 4/2002 Yemini
D467,863 S * 12/2002 Boerret D6/671
D477,724 S * 7/2003 Bishop D6/671.1
D588,849 S * 3/2009 Kalkwarf D6/671.1

(Continued)

FOREIGN PATENT DOCUMENTS

WO WO 2015/031563 A1 3/2015

OTHER PUBLICATIONS

United States Patent and Trademark Office, Office Action for U.S.
Appl. No. 15/160,141, dated Mar. 31, 2017, 11 pages, U.S.A.

(Continued)

Primary Examiner — Mimoso De

(74) *Attorney, Agent, or Firm* — Alston & Bird LLP

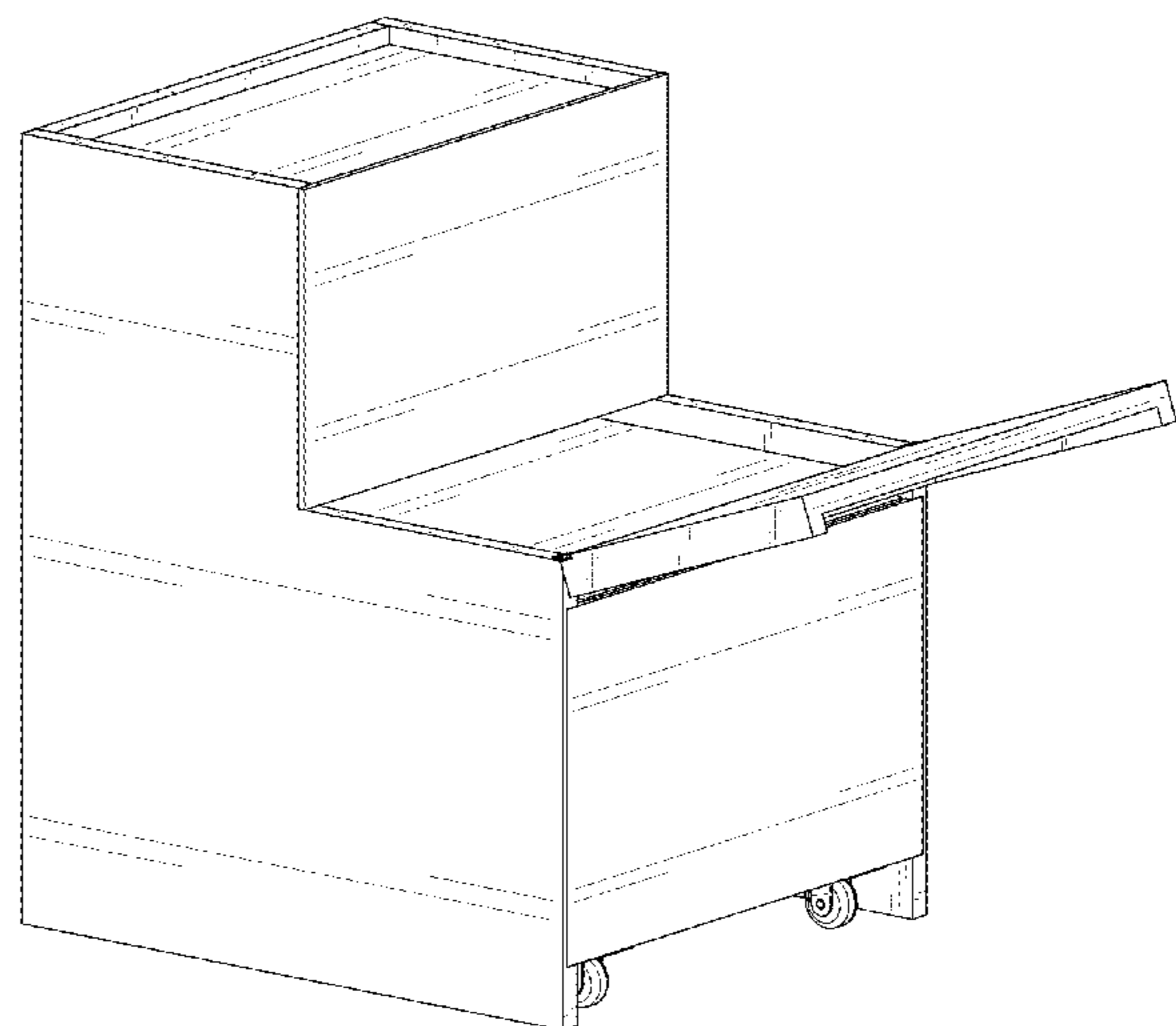
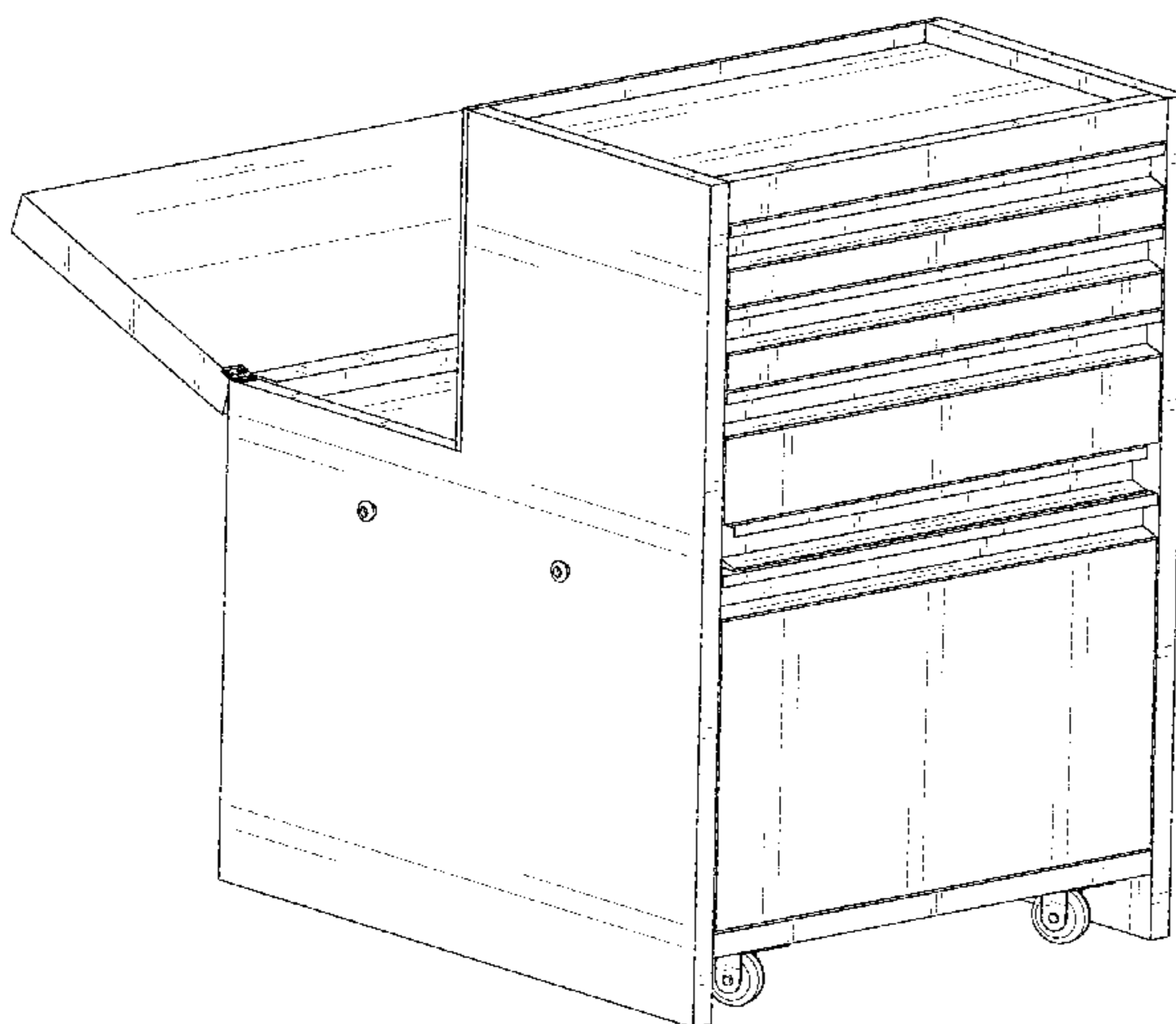
(57) **CLAIM**

I claim the ornamental design for a cabinet, as shown and
described.

DESCRIPTION

FIG. 1 is a front perspective view of the cabinet showing my
new design;
FIG. 2 is a rear perspective view thereof;
FIG. 3 is a rear elevation view thereof;
FIG. 4 is a right side elevation view thereof;
FIG. 5 is a left side elevation view thereof;
FIG. 6 is a front elevation view thereof;
FIG. 7 is a top plan view thereof; and,
FIG. 8 is a bottom plan view thereof.

1 Claim, 8 Drawing Sheets



(56)

References Cited

U.S. PATENT DOCUMENTS

7,641,294	B1	1/2010	Goldberg	
D732,858	S *	6/2015	Troyner	D6/671.1
D734,069	S *	7/2015	Zhao	D6/671.1
D734,070	S *	7/2015	Zhao	D6/671.1
D807,084	S *	1/2018	Waldner	D6/671.1
D809,830	S *	2/2018	Moyer	D6/667
2007/0103039	A1	5/2007	Holcomb et al.	
2007/0103040	A1	5/2007	Barrett et al.	
2016/0015455	A1	1/2016	Wu et al.	
2017/0172296	A1	6/2017	Monteiro	

OTHER PUBLICATIONS

United States Patent and Trademark Office, Office Action for U.S.
Appl. No. 15/160,141, dated Jul. 20, 2017, 11 pages, U.S.A.

* cited by examiner

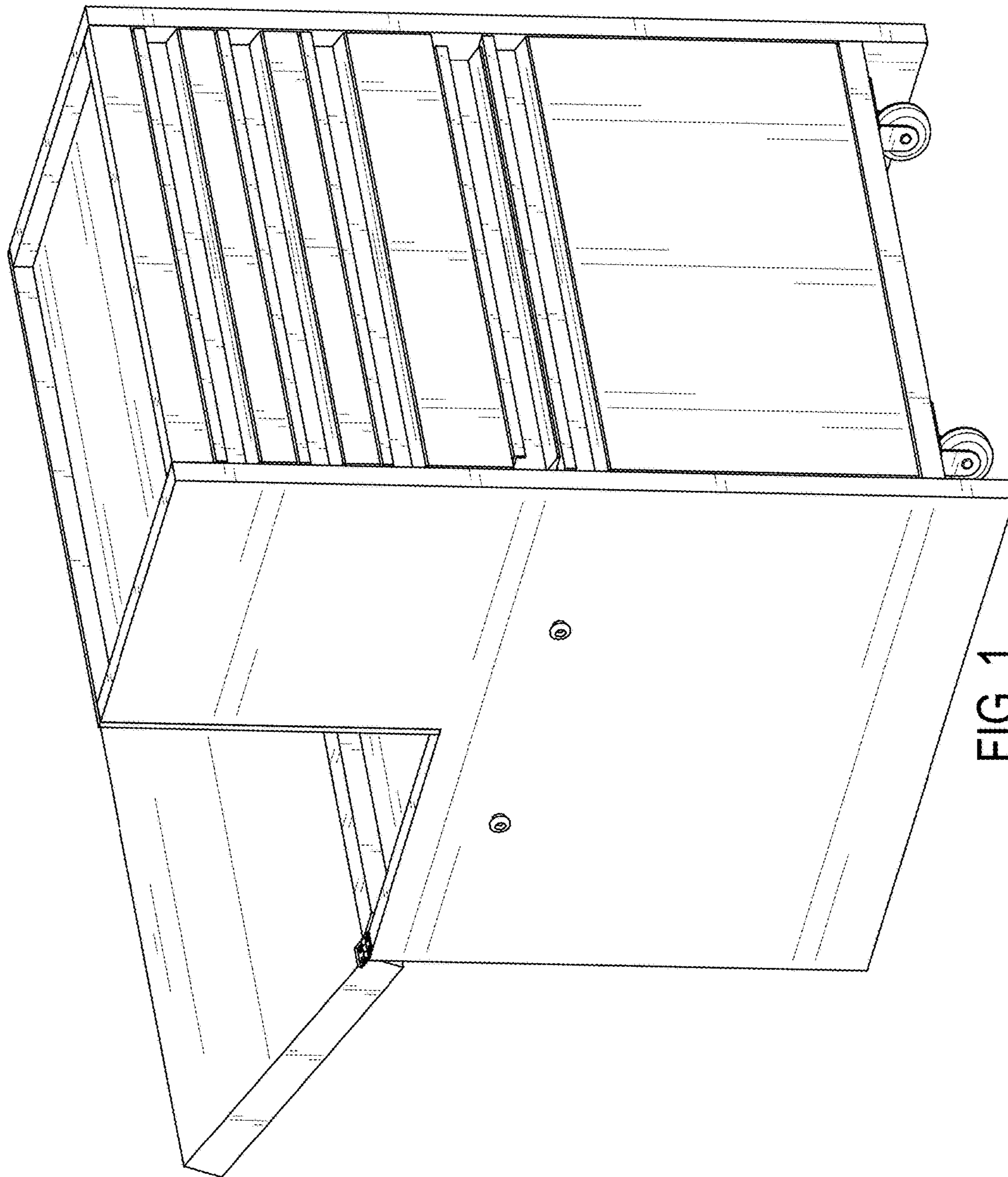


FIG. 1

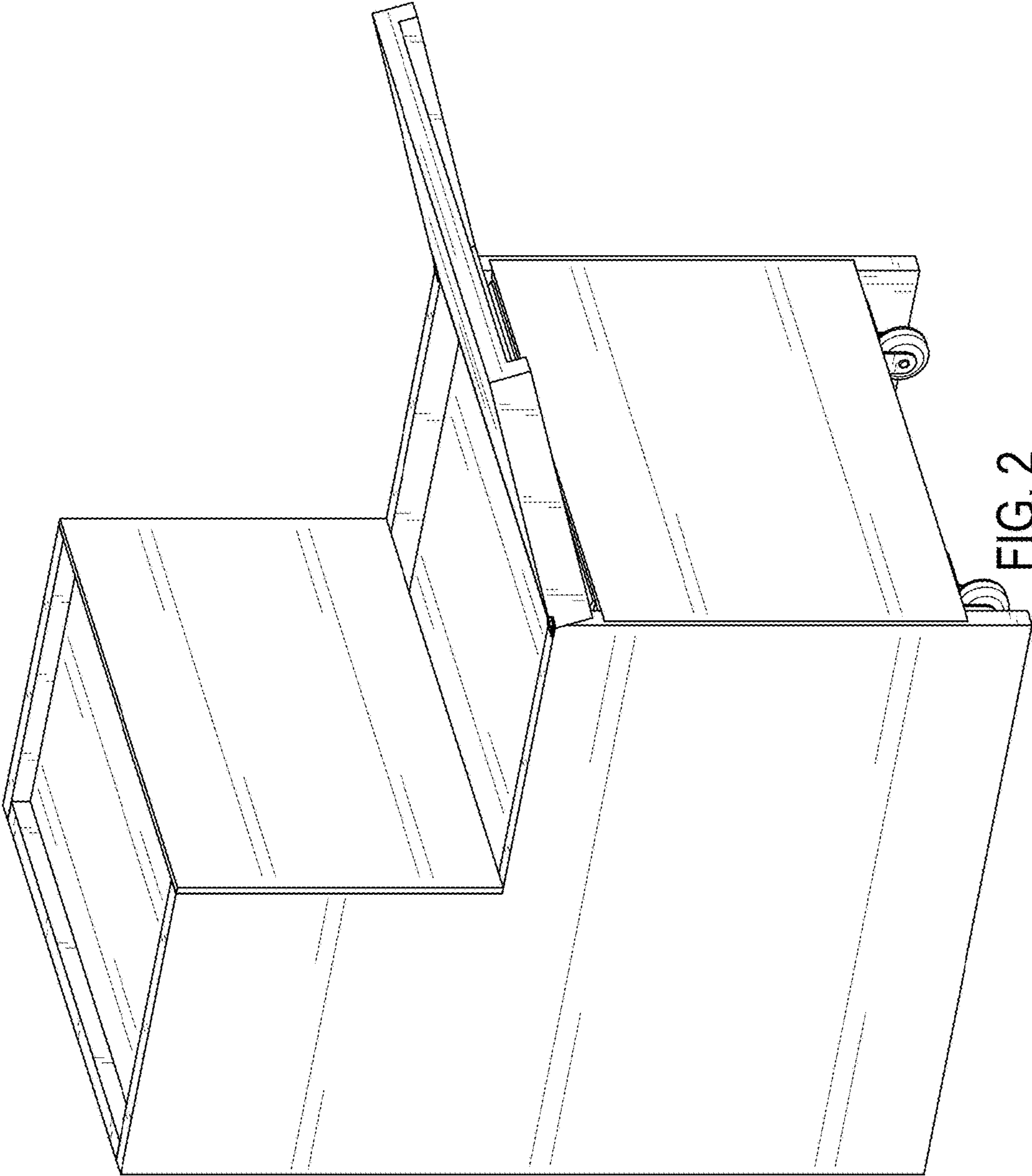


FIG. 2

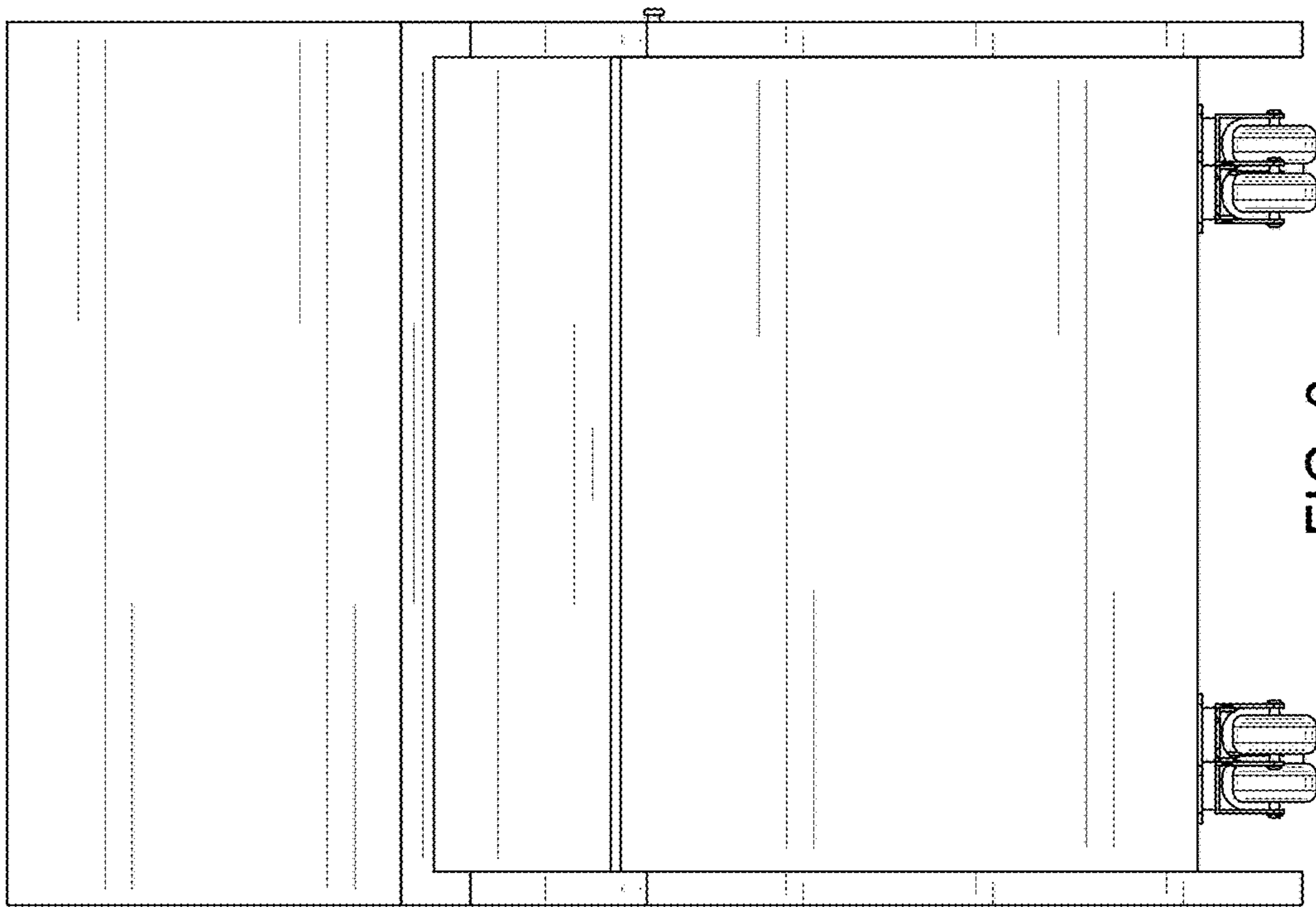


FIG. 3

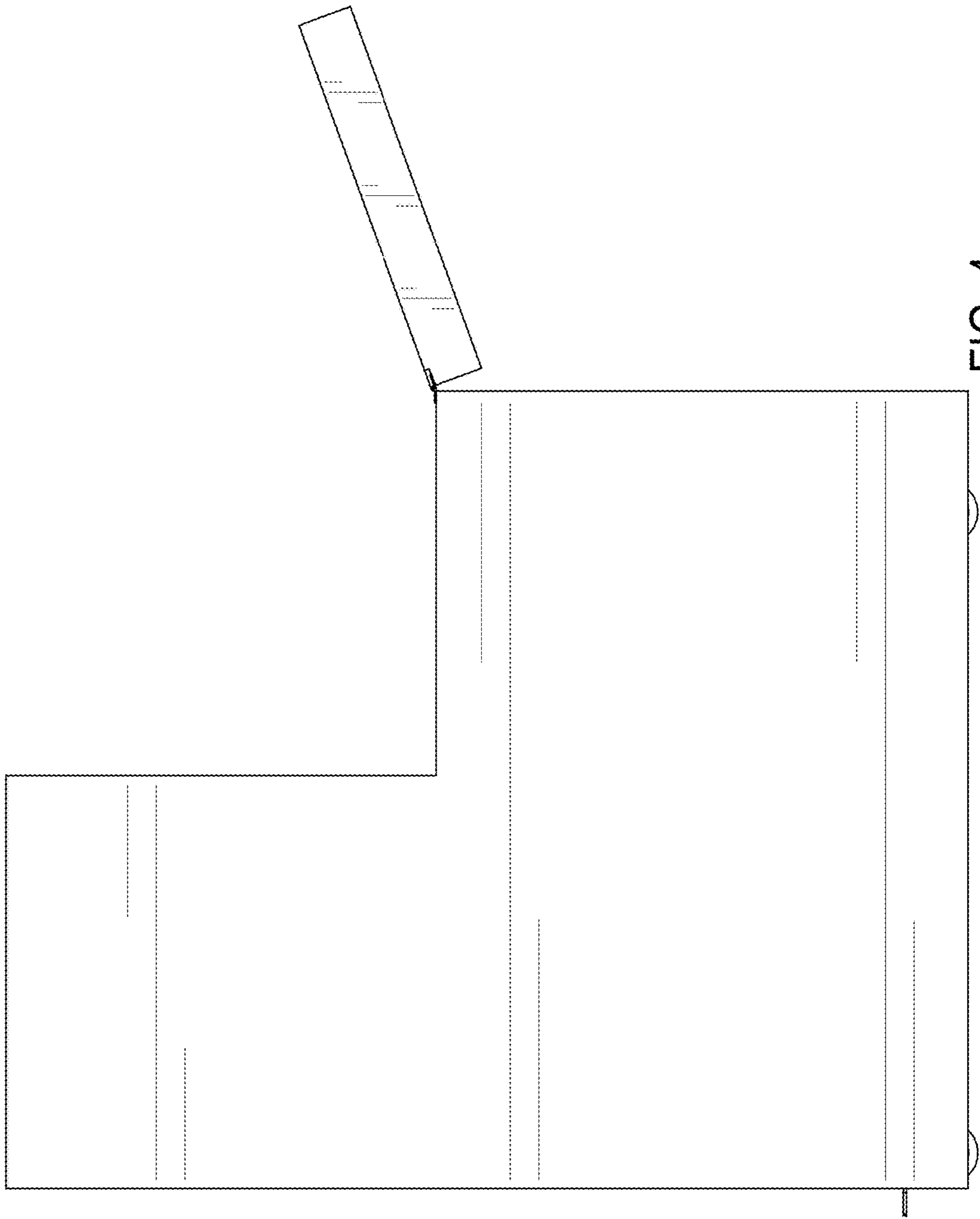


FIG. 4

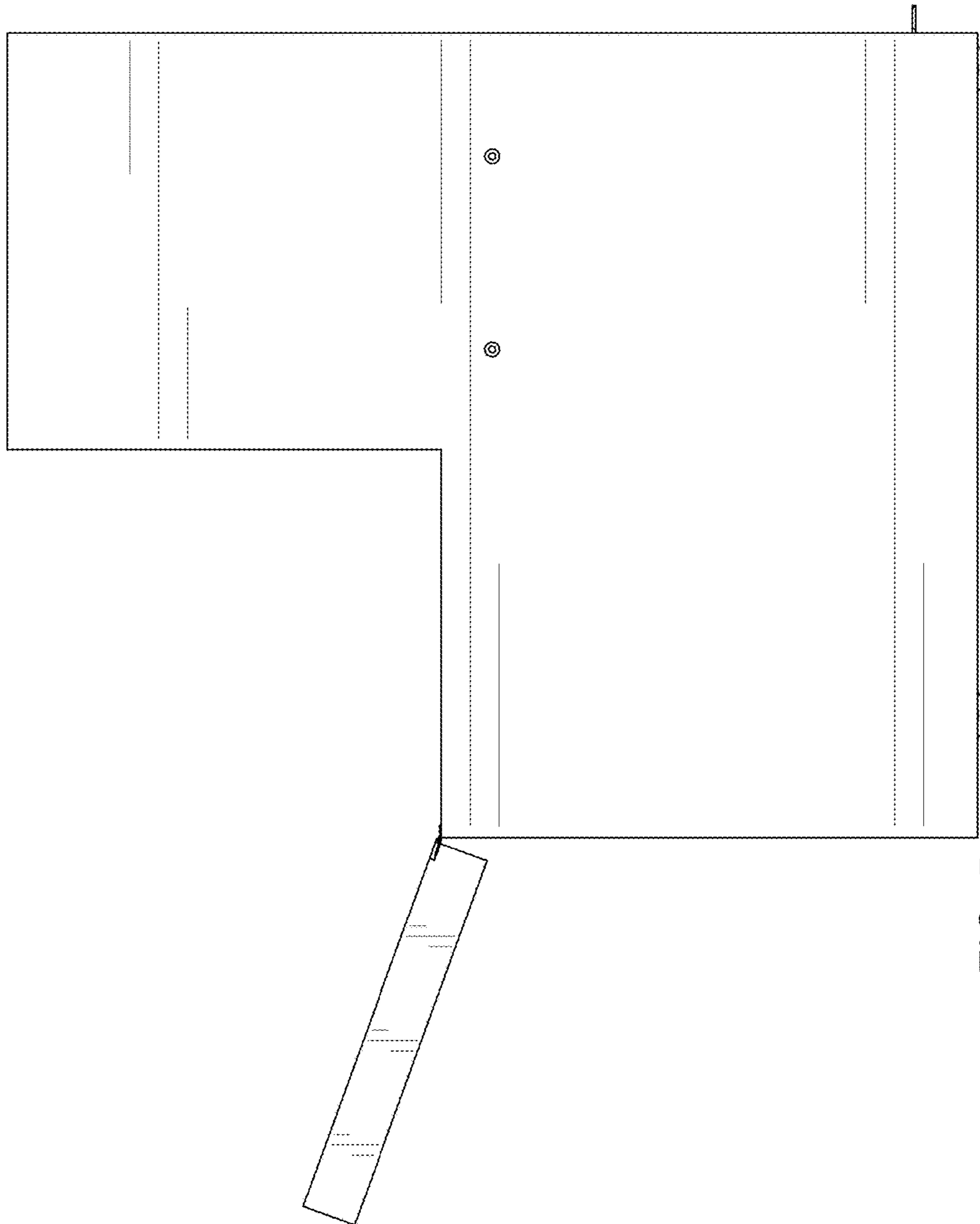


FIG. 5

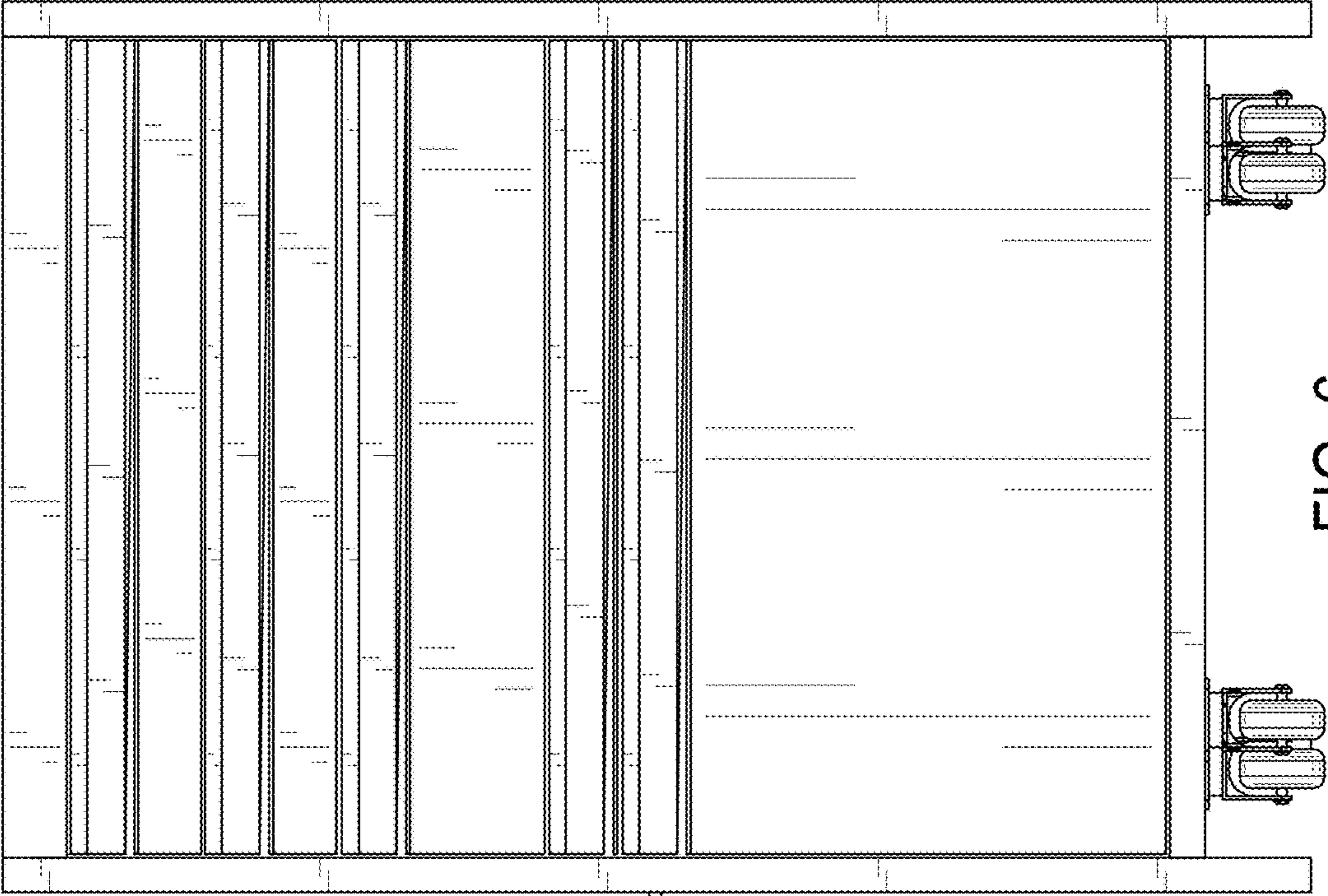


FIG. 6

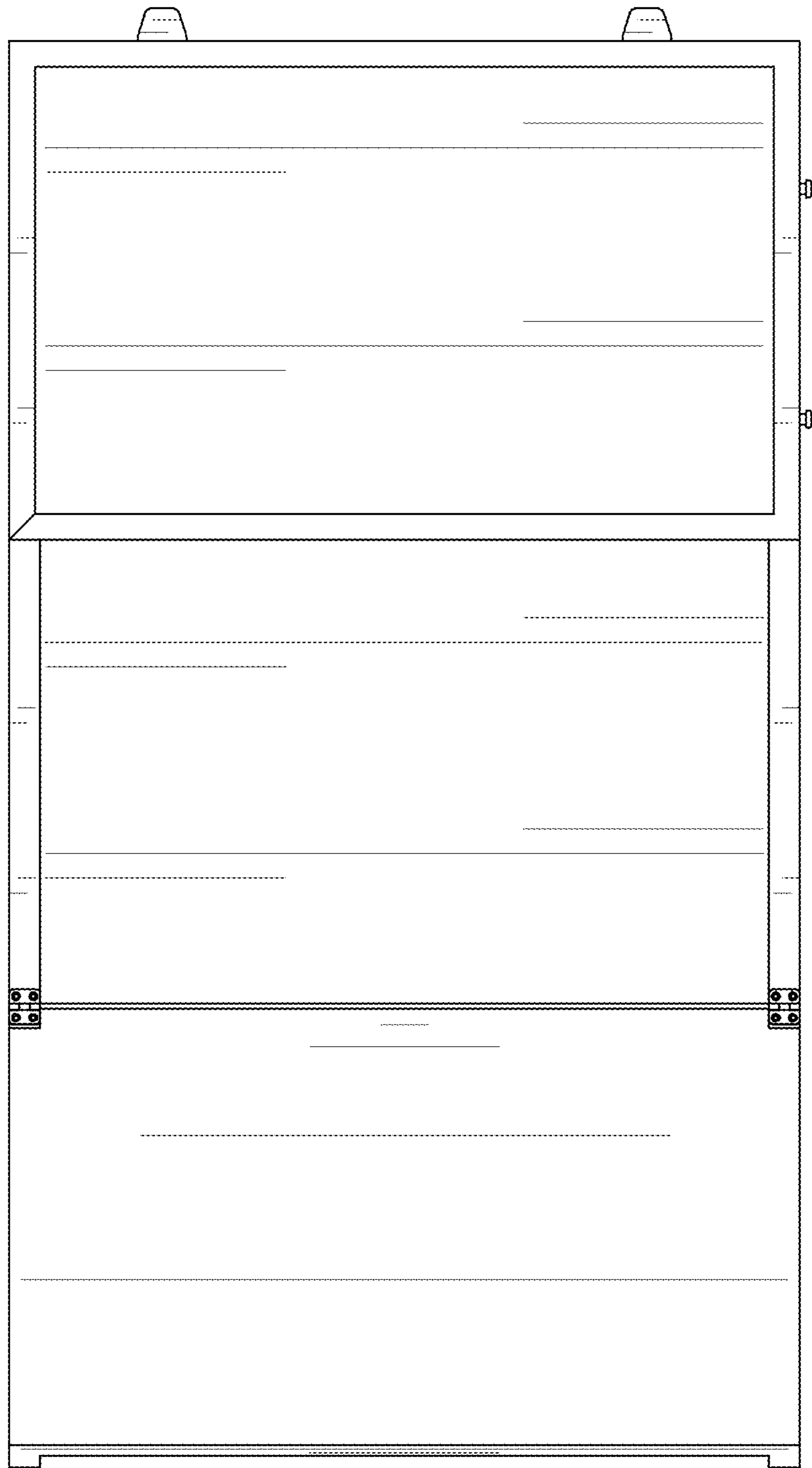


FIG. 7

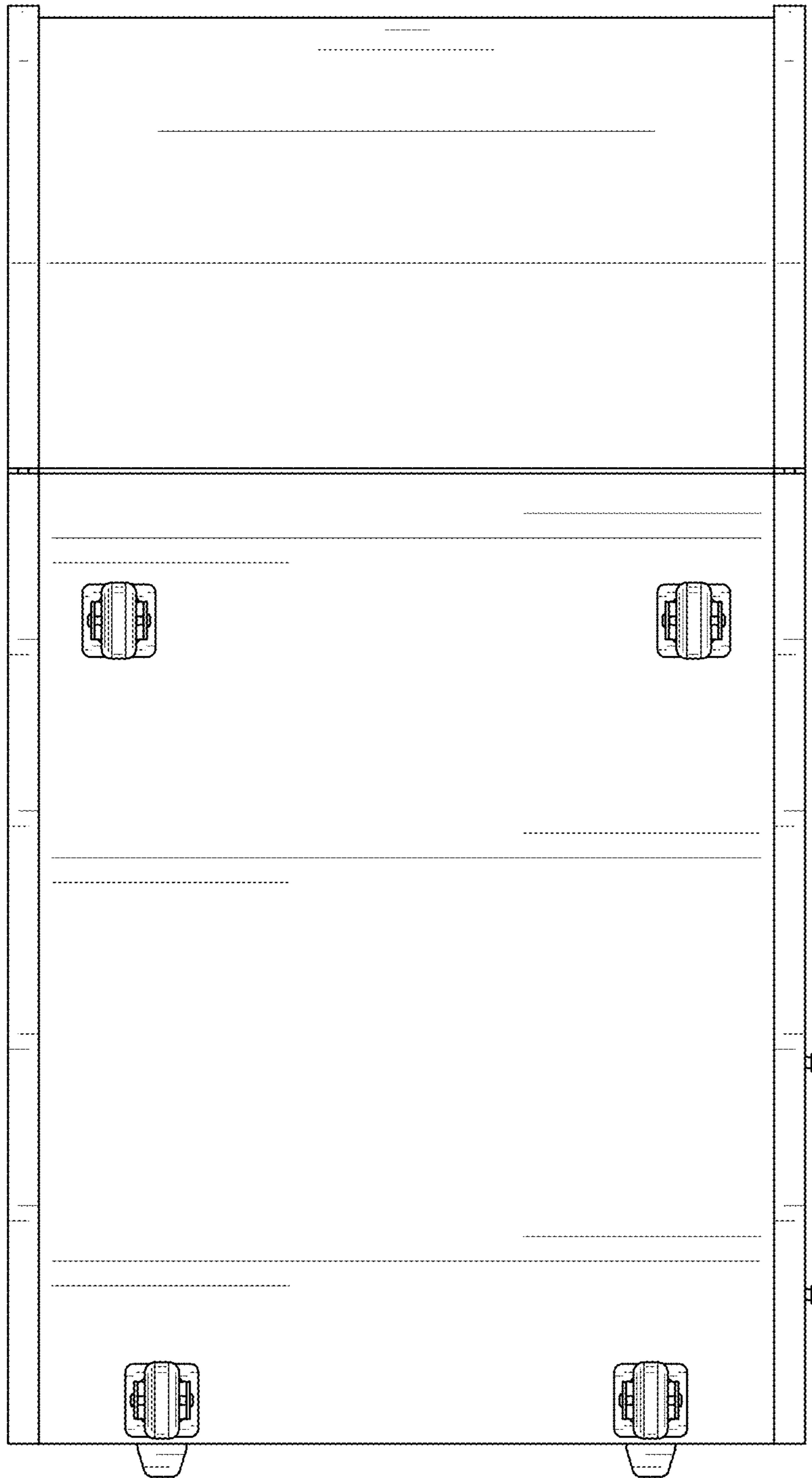


FIG. 8