



US00D822410S

(12) **United States Design Patent**
Berry, Jr. et al.

(10) **Patent No.:** **US D822,410 S**
(45) **Date of Patent:** **** Jul. 10, 2018**

(54) **INFLATABLE CUSHION**

A47G 9/08; A47G 2009/0276; A47G
9/0284; A47G 9/0292; A47G 9/04

(71) Applicants: **Homer Eugene Berry, Jr.**, Longview,
WA (US); **Carl TenBrink**, Huntington
Beach, CA (US)

See application file for complete search history.

(72) Inventors: **Homer Eugene Berry, Jr.**, Longview,
WA (US); **Carl TenBrink**, Huntington
Beach, CA (US)

(56) **References Cited**

U.S. PATENT DOCUMENTS

(**) Term: **15 Years**

4,206,524 A * 6/1980 Cook A61G 7/057
5/630
D271,647 S * 12/1983 McLeod D6/596
D309,542 S * 7/1990 Glenn 5/652
D310,312 S * 9/1990 Wong D6/596

(21) Appl. No.: **29/575,829**

(Continued)

(22) Filed: **Aug. 29, 2016**

Primary Examiner — Michelle E Wilson

(51) **LOC (11) Cl.** **06-09**

Assistant Examiner — Sanjeev Paul

(52) **U.S. Cl.**

(74) *Attorney, Agent, or Firm* — Quickpatents, LLC;

USPC **D6/604**

Kevin Prince

(58) **Field of Classification Search**

(57) **CLAIM**

USPC D6/333, 349, 355, 375, 388, 512, 563,
D6/564, 611, 707, 715, 716, 716.1,
D6/582–583, 587–592, 595–609,
D6/617–622; D24/183–185, 234, 178,
D24/180, 181, 189; D21/803, 804, 805,
D21/809, 599; 5/401, 420, 600, 630,
5/631, 632, 633, 635, 636, 638, 639, 646,
5/652, 652.1, 655, 703, 730; 297/1, 2, 4,
297/93, 180.11, 195.1, 195.11, 195.13,
297/393, 397, 452.12, 452.14, 452.15,
297/452.21, 452.24, 452.26, 452.48,
297/452.62, 482; D2/719, 725, 734, 741

We claim the ornamental design for an inflatable cushion, as
shown and described.

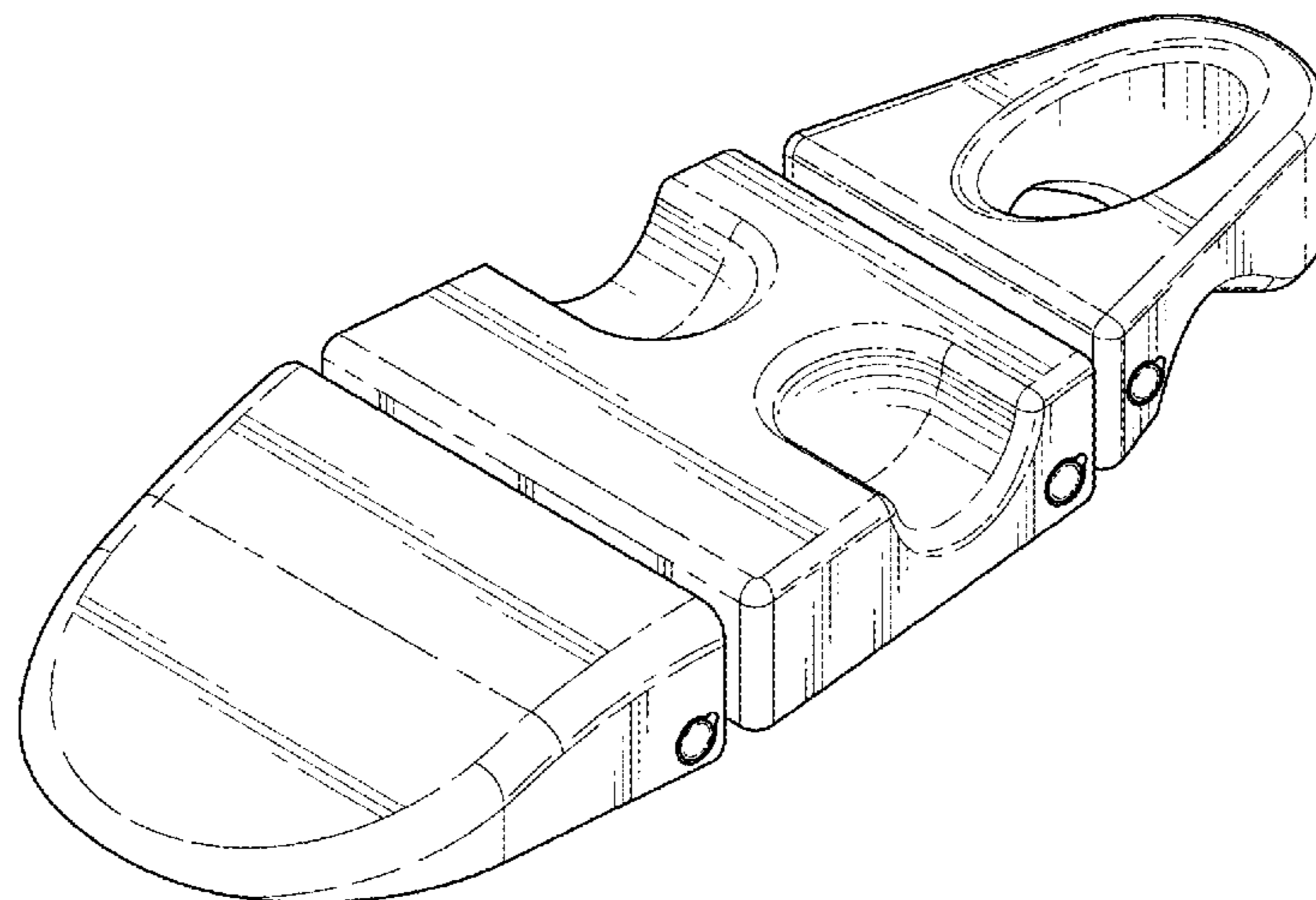
CPC A47G 9/10; A47G 9/1009; A47G 9/1027;
A47G 9/1045; A47G 9/1063; A47G
9/1072; A47G 9/1081; A47G 9/00; A47G
2009/001; A47G 2009/002; A47G
2009/003; A47G 2009/005; A47G
2009/006; A47G 9/02; A47G 9/0207;
A47G 9/0215; A47G 9/0223; A47G
9/023; A47G 9/0238; A47G 9/0246;
A47G 9/0253; A47G 9/0261; A47G 9/06;
A47G 9/062; A47G 9/066; A47G 9/068;

DESCRIPTION

FIG. 1 is a perspective view of an inflatable cushion,
showing our new design in a flat configuration;
FIG. 2 is an exploded perspective view of FIG. 1;
FIG. 3 is an exploded rear elevational view of FIG. 1;
FIG. 4 is an exploded front elevational view of FIG. 1;
FIG. 5 is an exploded right-side elevational view of FIG. 1;
FIG. 6 is an exploded left-side elevational view of FIG. 1;
FIG. 7 is an exploded top plan view of FIG. 1;
FIG. 8 is an exploded bottom plan view of FIG. 1; and,
FIG. 9 is a perspective view of the inflatable cushion,
illustrated in a seat-configuration.

The broken lines showing a person in FIG. 9 depict envi-
ronmental matter that forms no part of the claimed design.
It is understood that the front elevational view, rear eleva-
tional view, and bottom plan view of the inflatable cushion
are identical.

1 Claim, 7 Drawing Sheets



(56)

References Cited

U.S. PATENT DOCUMENTS

D341,406 S	*	11/1993	Scheurer	D21/805
D357,595 S	*	4/1995	Roschacher	5/706
D366,084 S	*	1/1996	Wolfe	D21/809
D375,989 S	*	11/1996	Jacobs	D21/809
D387,838 S	*	12/1997	Canela	D21/803
D415,281 S	*	10/1999	Swedberg	D24/183
D527,822 S	*	9/2006	Trevino	D24/183
D578,220 S	*	10/2008	Ebarb	D24/184
D752,359 S	*	3/2016	Lee	D6/601

* cited by examiner

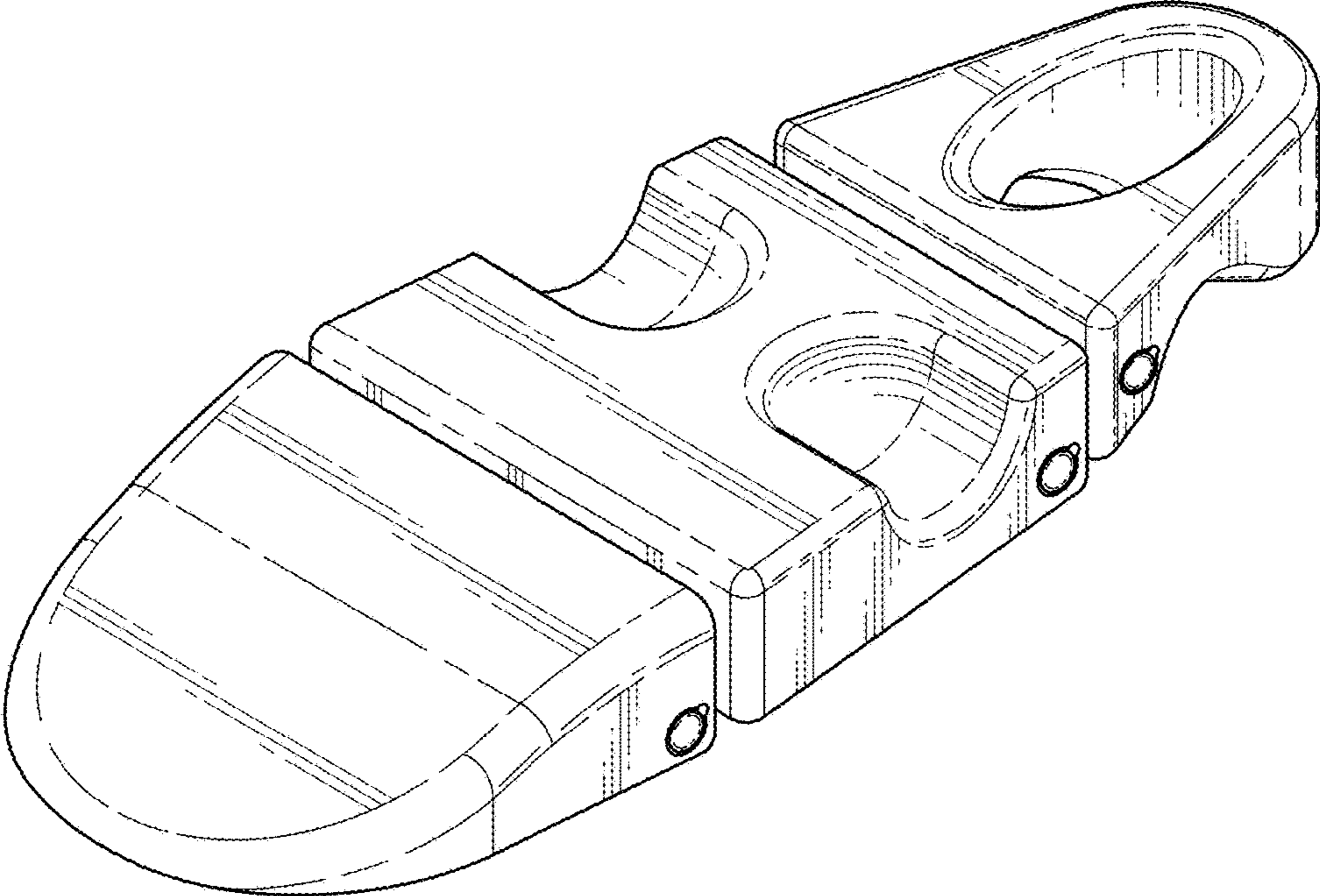


FIG. 1

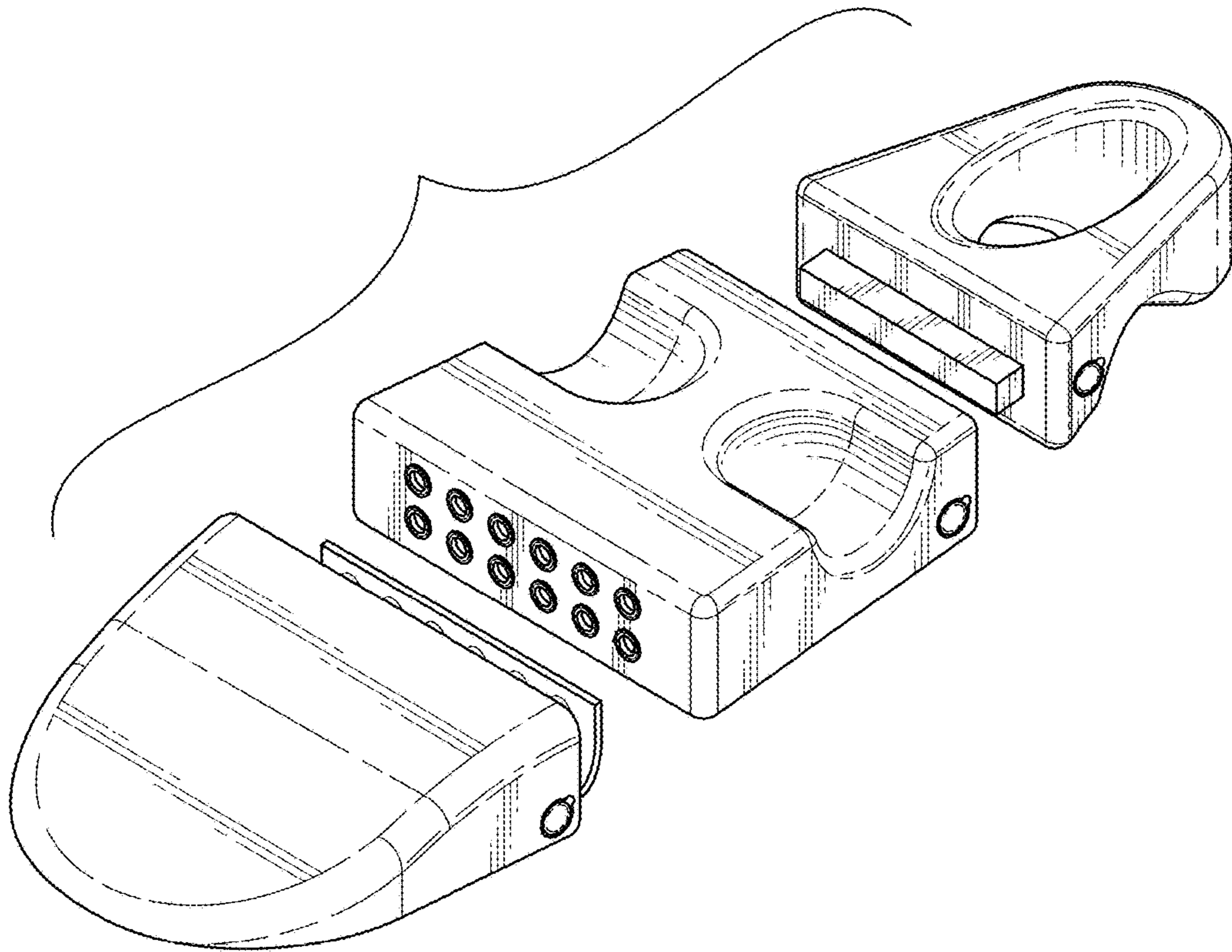


FIG. 2

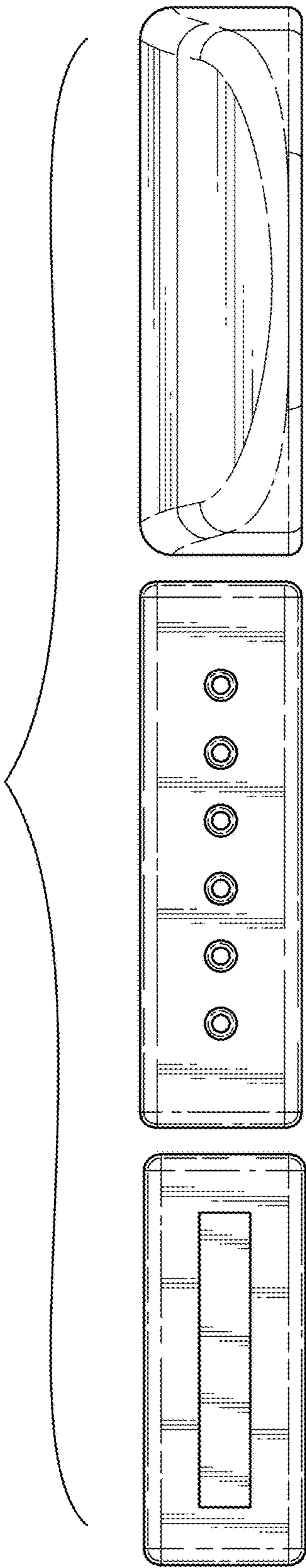


FIG. 3

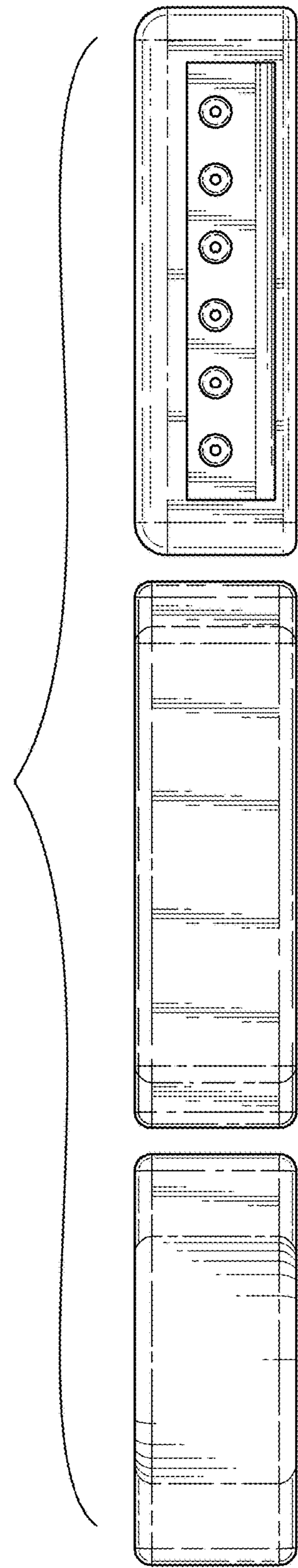


FIG. 4

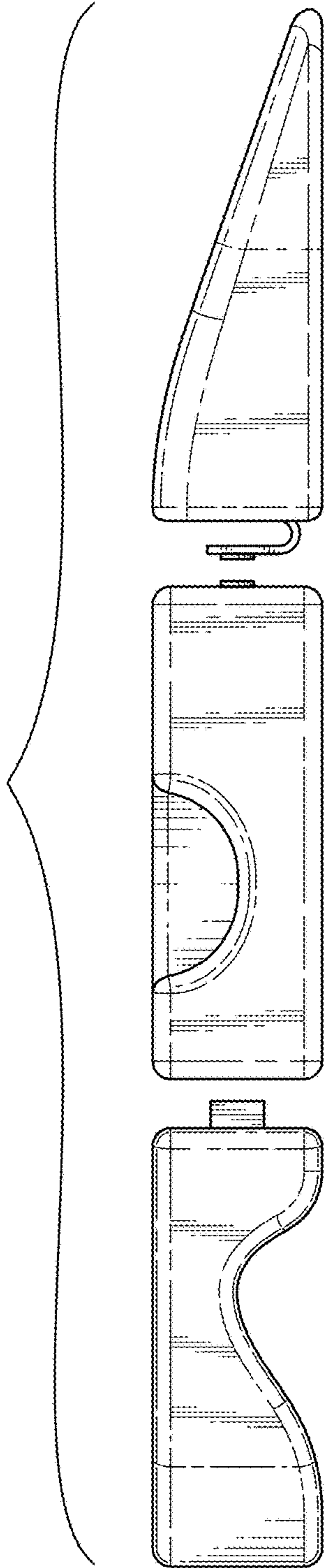


FIG. 5

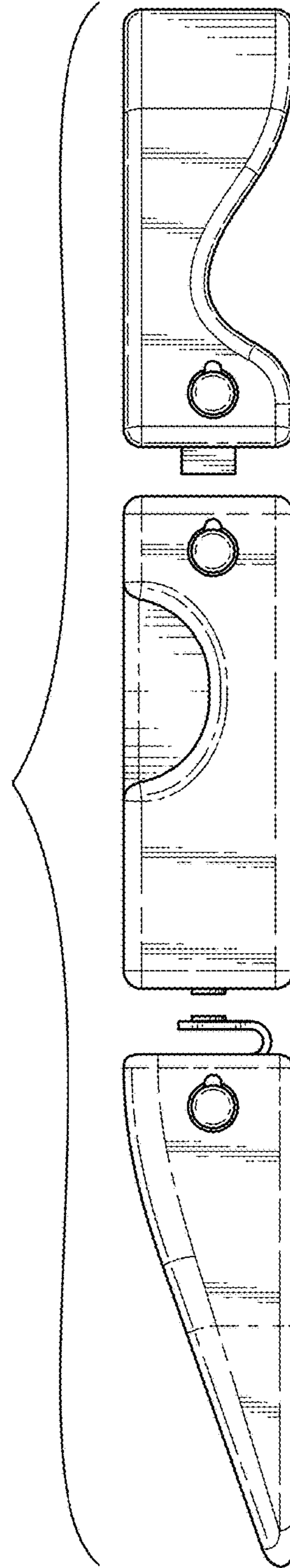


FIG. 6

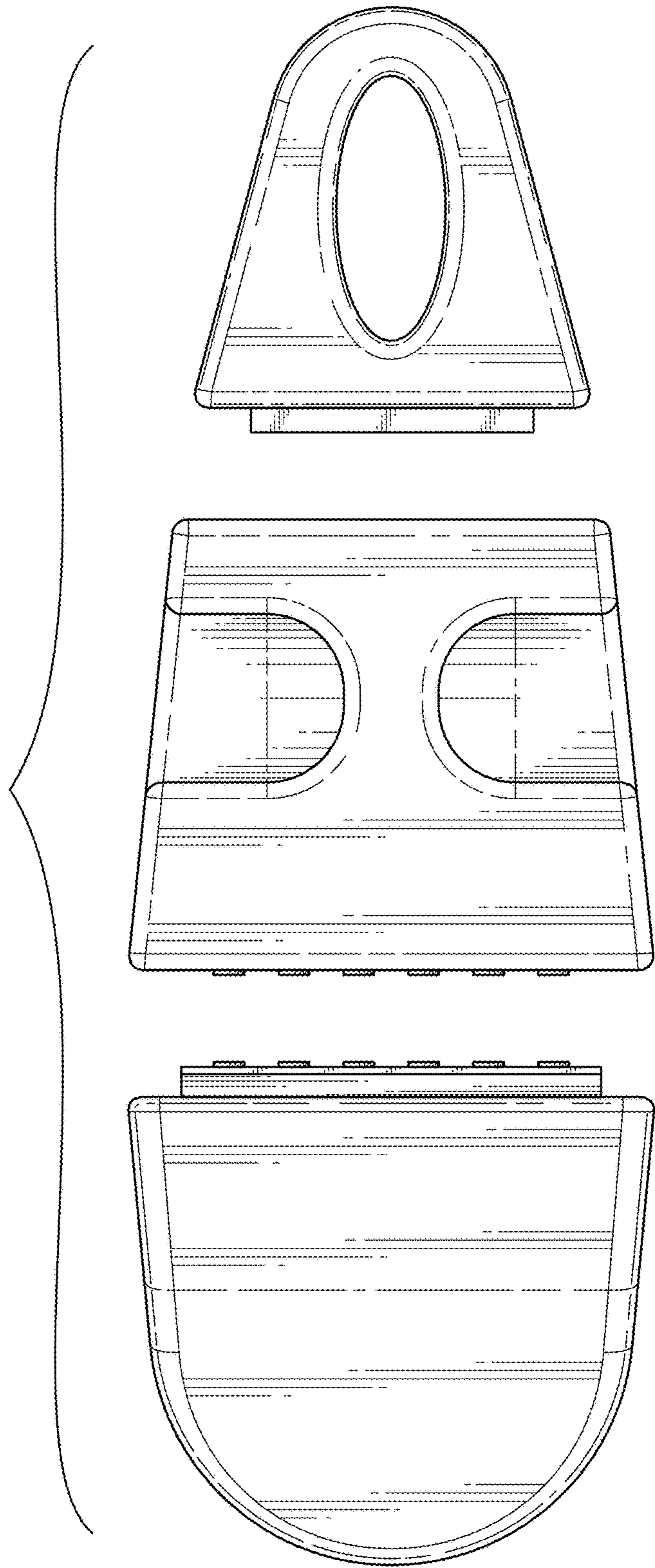


FIG. 7

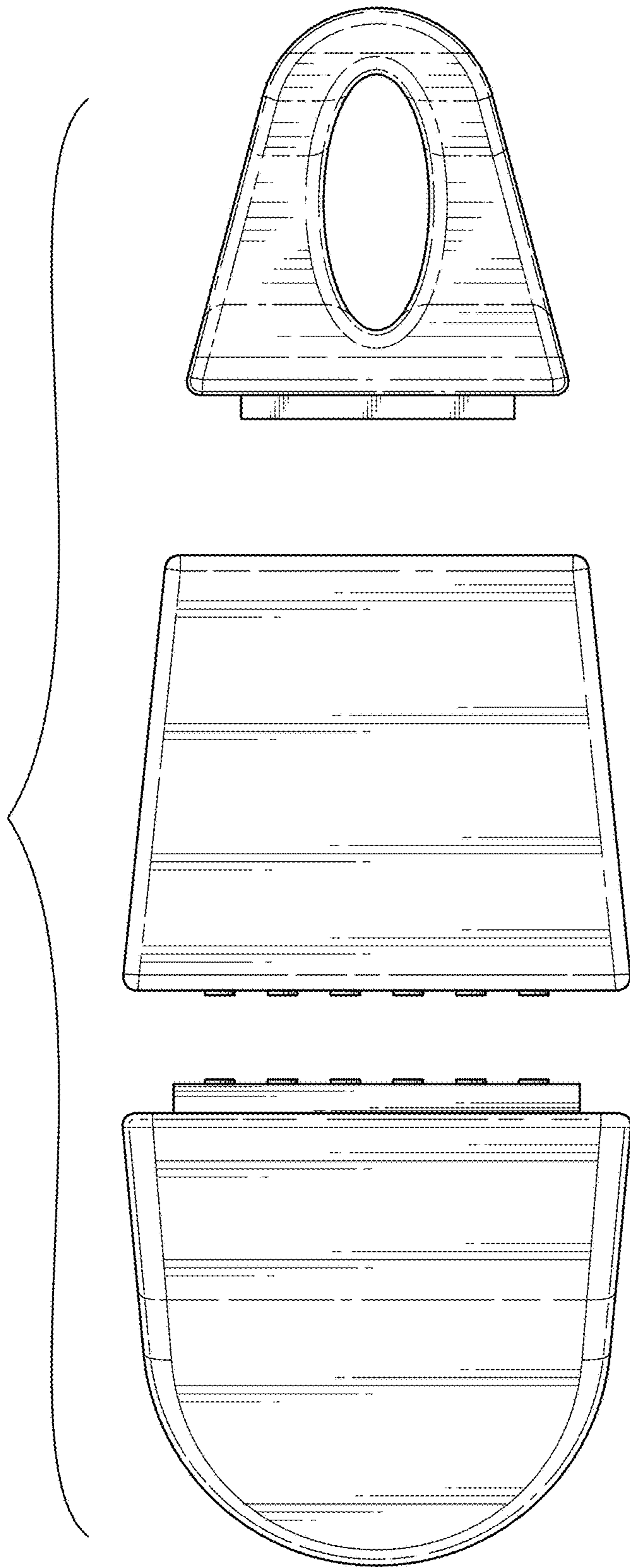


FIG. 8



FIG. 9