



US00D822405S

(12) **United States Design Patent**
Bernard

(10) **Patent No.:** **US D822,405 S**
(45) **Date of Patent:** **** Jul. 10, 2018**

- (54) **TOOTHBRUSH HOLDER**
- (71) Applicant: **Yacobina Bernard**, Alpine, NJ (US)
- (72) Inventor: **Yacobina Bernard**, Alpine, NJ (US)
- (**) Term: **15 Years**
- (21) Appl. No.: **29/566,491**
- (22) Filed: **May 31, 2016**
- (51) **LOC (11) Cl.** **23-02**
- (52) **U.S. Cl.**
USPC **D6/534**
- (58) **Field of Classification Search**
USPC D6/534, 524, 526, 527, 528; 211/13.1,
211/66, 70.6, 86.01, 87.01; 206/208, 228,
206/209, 209.1, 361, 362, 362.1, 362.2,
206/362.3; D11/117, 157, 115; D21/586,
D21/628; D1/115; D4/125
CPC A47K 1/09; A46B 2200/1066
See application file for complete search history.

- 6,334,451 B1 * 1/2002 Yang A46B 11/0027
132/311
- 6,769,538 B2 8/2004 Oswald
- D504,082 S * 4/2005 Weiser D11/117
- 6,997,322 B2 2/2006 Peterson
- D516,944 S * 3/2006 Weiser D11/117
- D522,912 S * 6/2006 Caldwell D11/117
- D524,690 S * 7/2006 Cork D11/147
- D552,390 S * 10/2007 Brantley D6/520
- D569,301 S * 5/2008 Fotherby D11/117
- D601,836 S * 10/2009 Carr D6/525
- 7,617,828 B1 * 11/2009 Sinha A46B 5/0075
132/286
- D657,570 S * 4/2012 Mahiques D4/124
- D687,339 S * 8/2013 Rues D11/117
- D704,093 S 5/2014 Newlon
- D751,946 S * 3/2016 Soofer D11/157
- D774,776 S * 12/2016 Mahiques D4/116

(Continued)

FOREIGN PATENT DOCUMENTS

CN 202198236 U 4/2012
Primary Examiner — David Muller
Assistant Examiner — Nathan Johnston

(56) **References Cited**

U.S. PATENT DOCUMENTS

- 1,938,736 A * 12/1933 Berman A41G 1/005
362/122
- D155,278 S * 9/1949 Fishchett D1/115
- D191,865 S * 12/1961 Moshelm 15/225
- D196,258 S * 9/1963 Dwyer D11/117
- 3,682,347 A 8/1972 Barrier
- D281,768 S 12/1985 Hansen, Jr.
- D289,021 S * 3/1987 Ditto D11/117
- D312,851 S * 12/1990 Kataoka D21/586
- D345,021 S * 3/1994 Storey D11/117
- D368,233 S * 3/1996 Spickelmier 428/24
- 5,638,840 A 6/1997 Lee
- D383,885 S * 9/1997 Franklin 426/803
- 5,779,046 A 7/1998 Plakos
- D417,887 S * 12/1999 Coipel D11/117
- D437,158 S 2/2001 Marro
- D438,139 S * 2/2001 Mozena D11/117

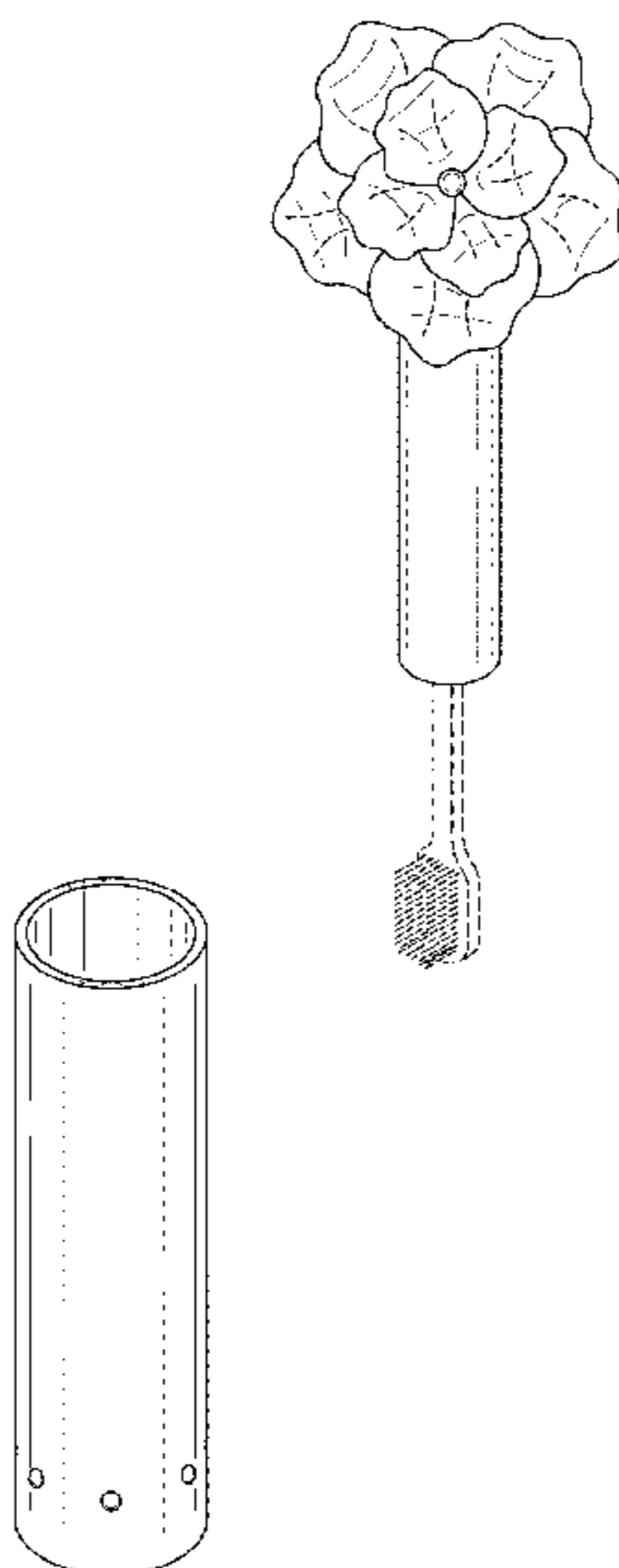
(57) **CLAIM**

I claim the ornamental design for a toothbrush holder, as shown and described.

DESCRIPTION

FIG. 1, is a front elevation view of the toothbrush holder showing my new design.
 FIG. 2 is a rear elevation view thereof.
 FIG. 3 is a side elevation view thereof.
 FIG. 4 is a top plan view thereof.
 FIG. 5 is a bottom plan view thereof; and,
 FIG. 6 is a perspective view thereof.
 The broken lines show portions of the design that form no part of the claimed design.

1 Claim, 5 Drawing Sheets



(56)

References Cited

U.S. PATENT DOCUMENTS

D789,026 S * 6/2017 Graham D1/106
2012/0160261 A1* 6/2012 Harden A46B 11/0027
132/311

* cited by examiner

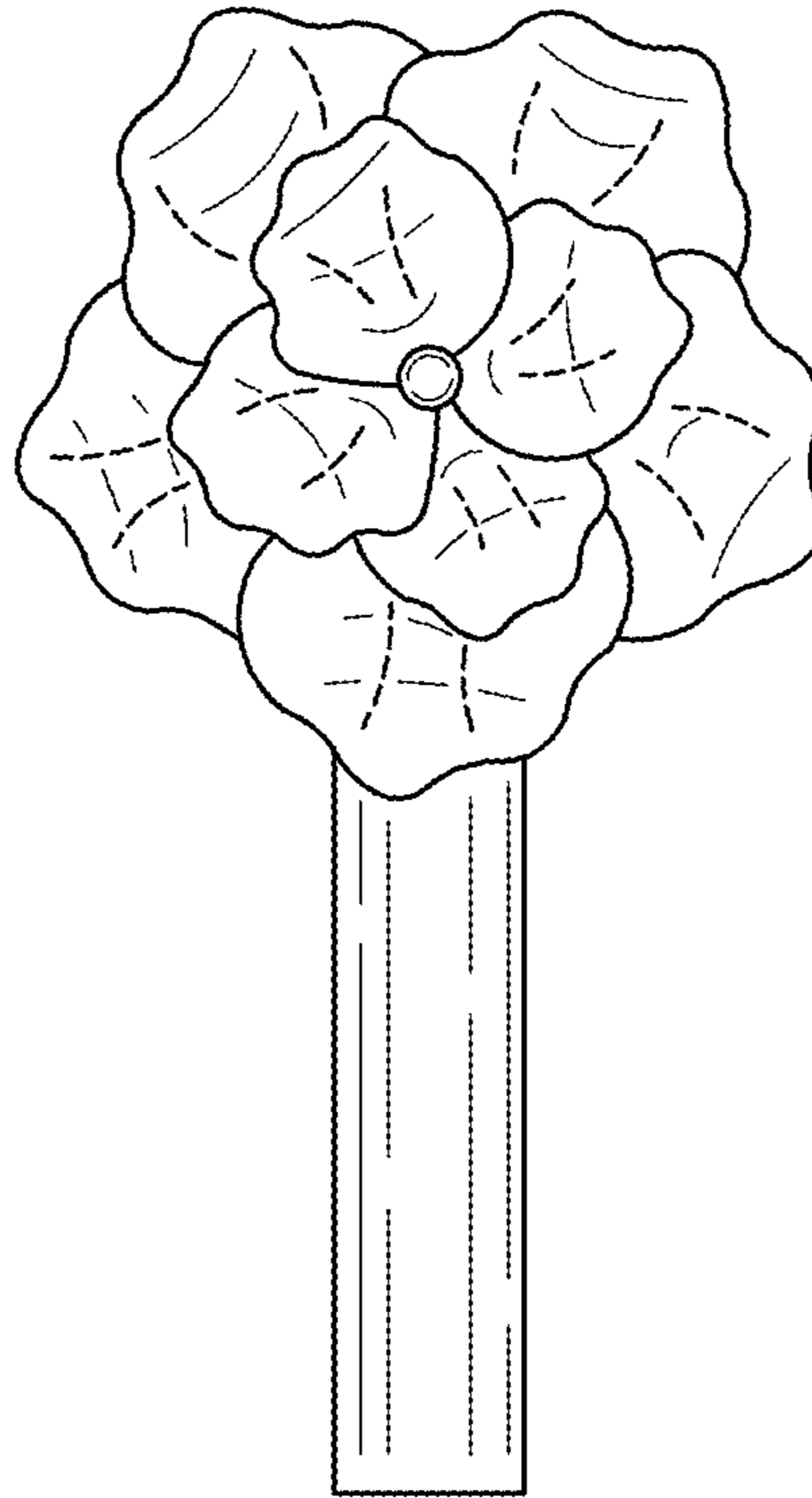


FIG. 1

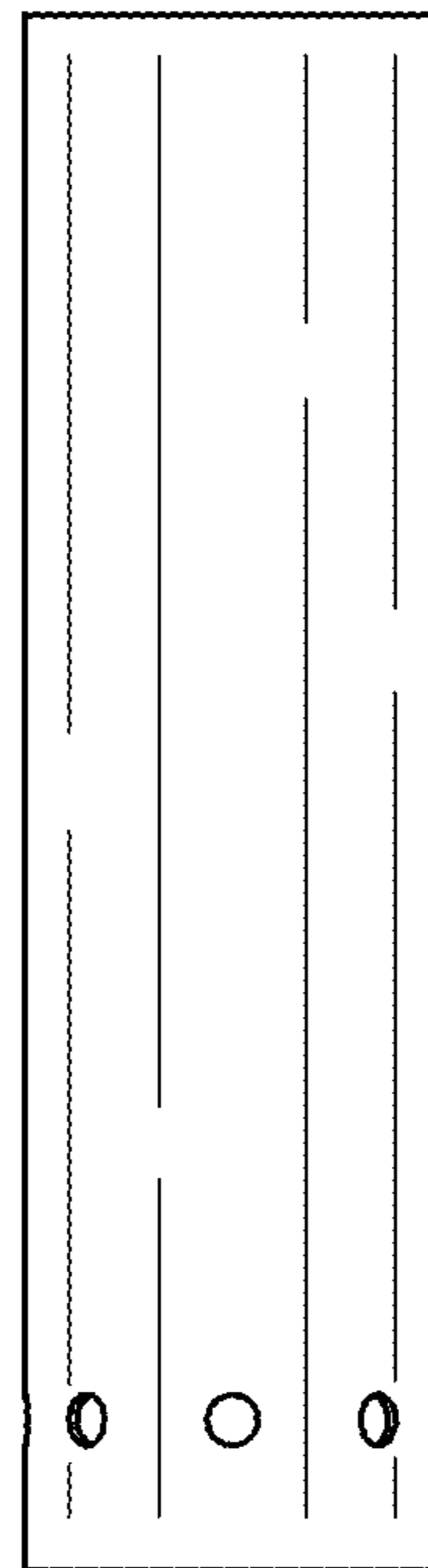


FIG. 2

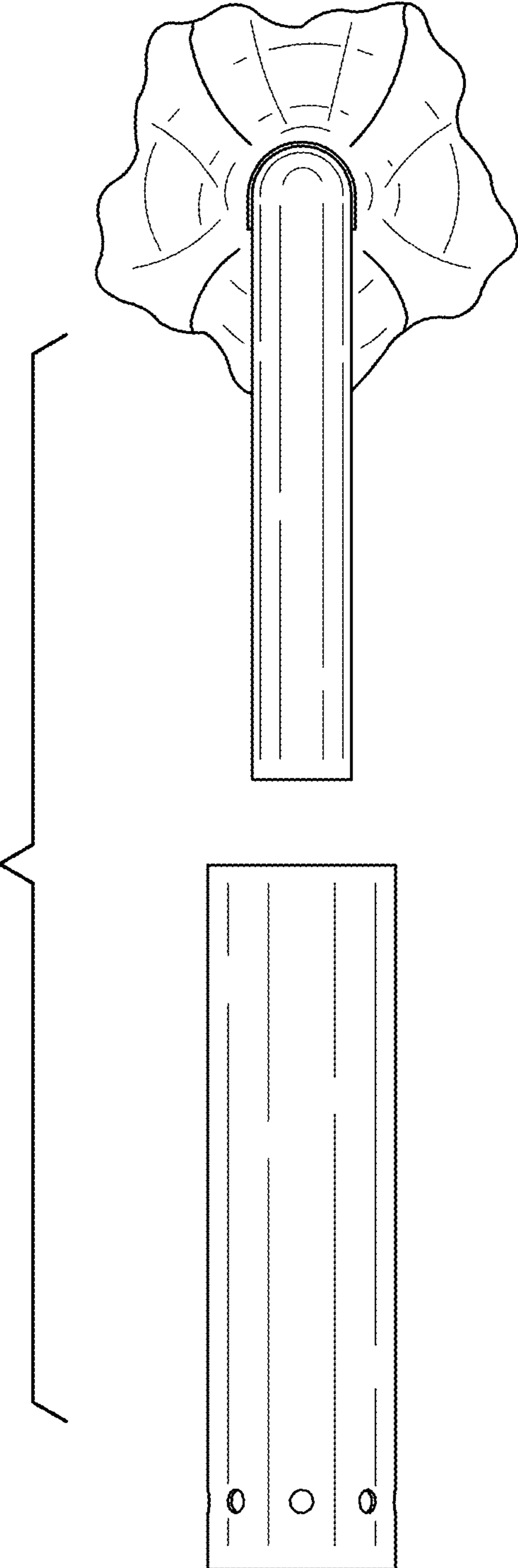


FIG. 3

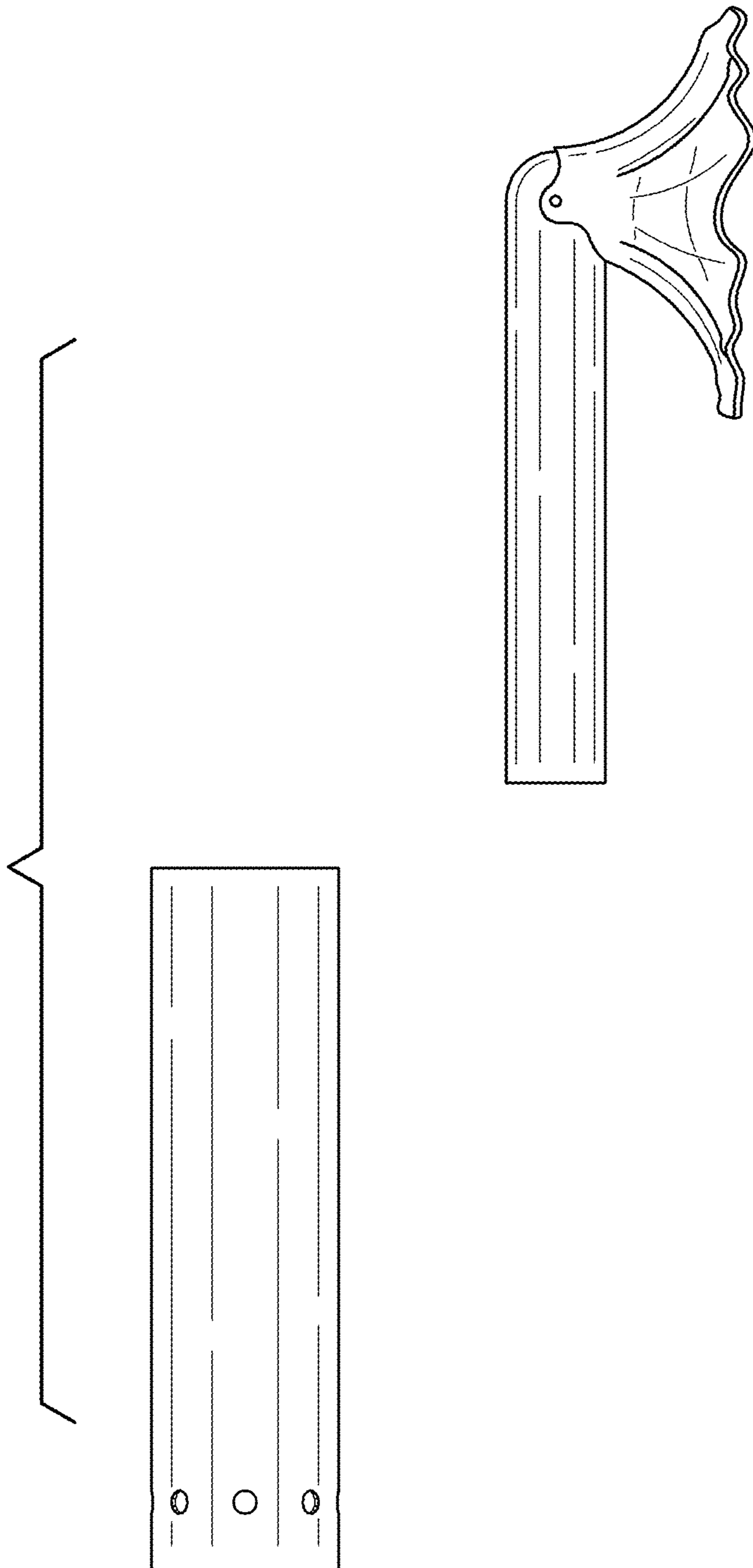


FIG. 4

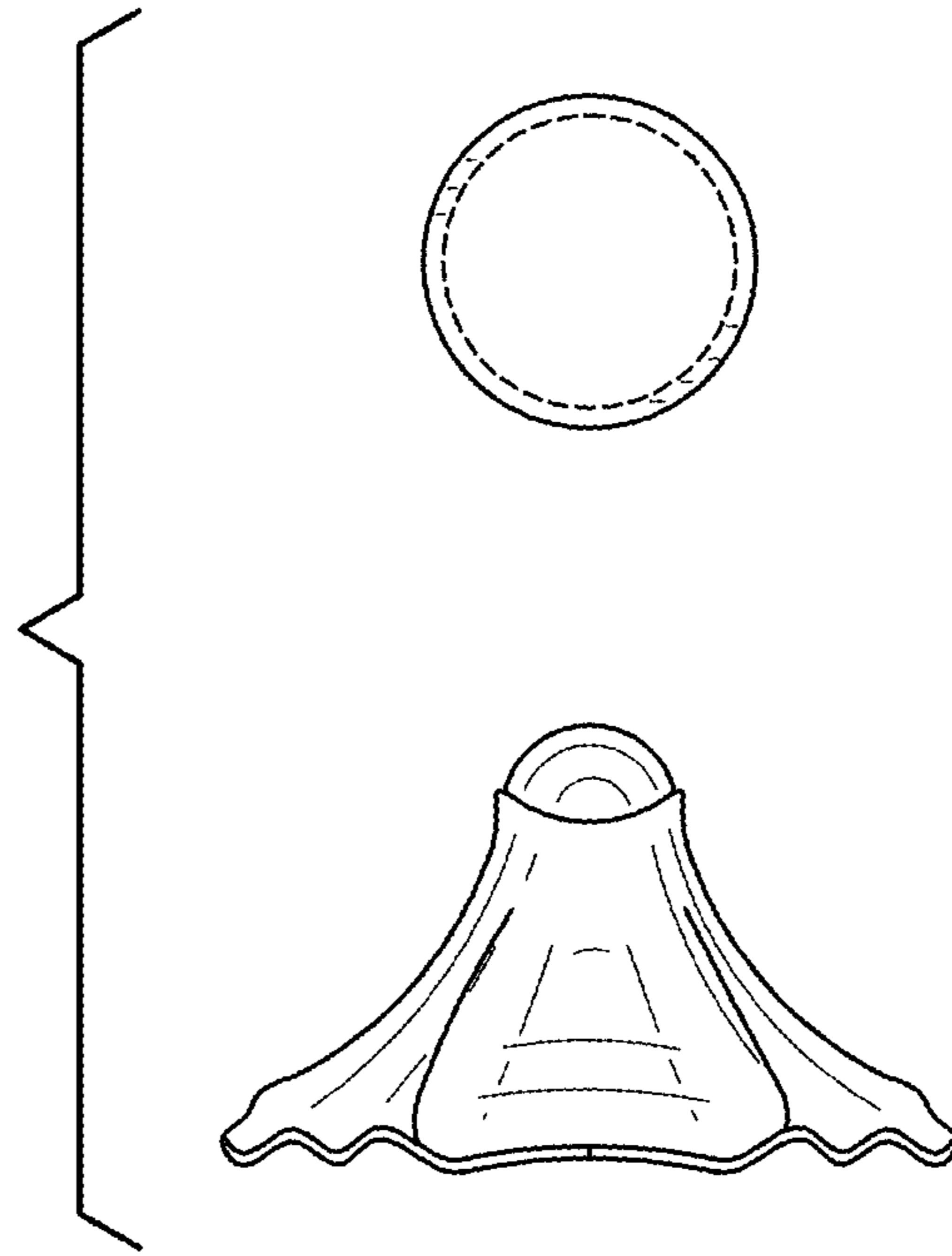
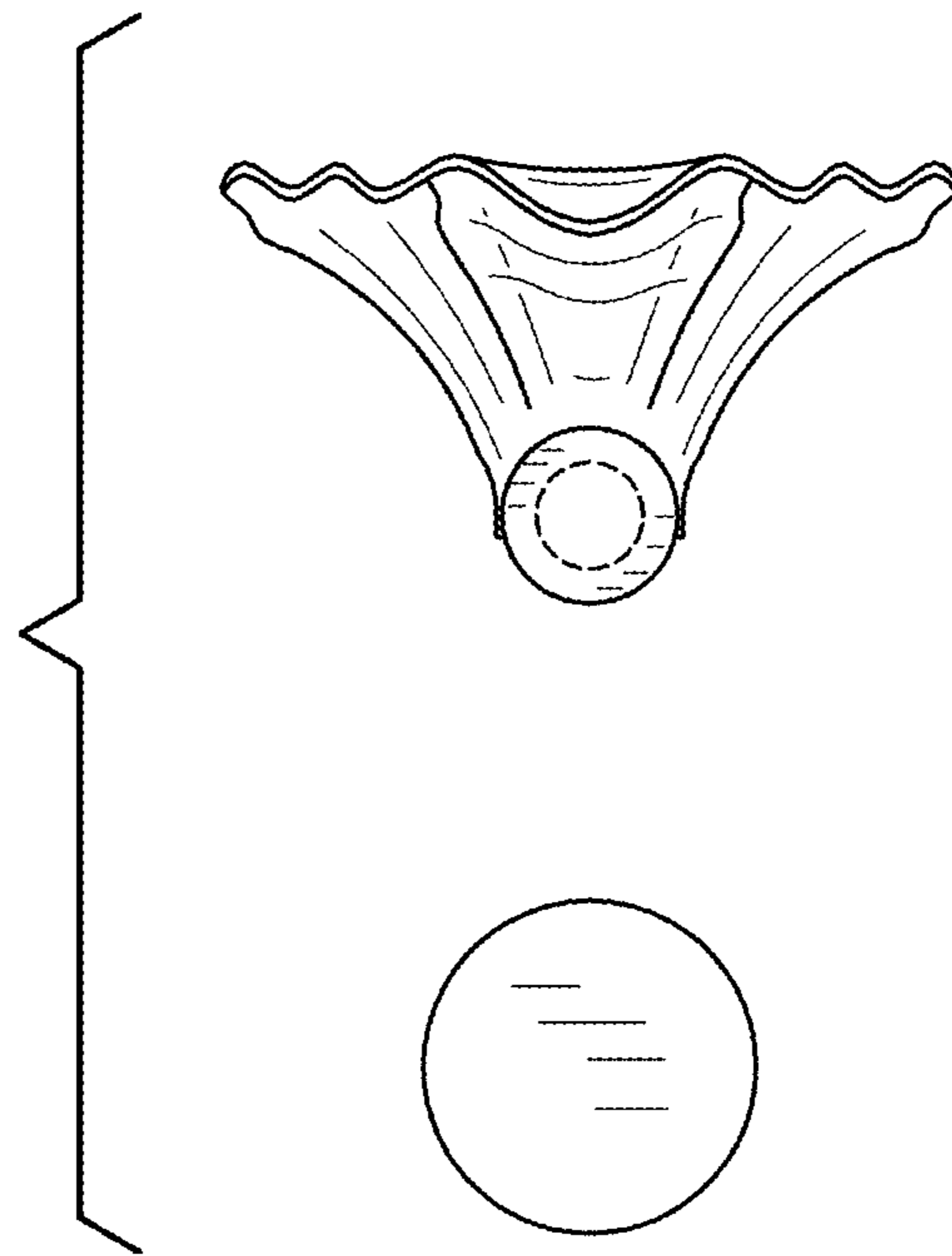


FIG. 5



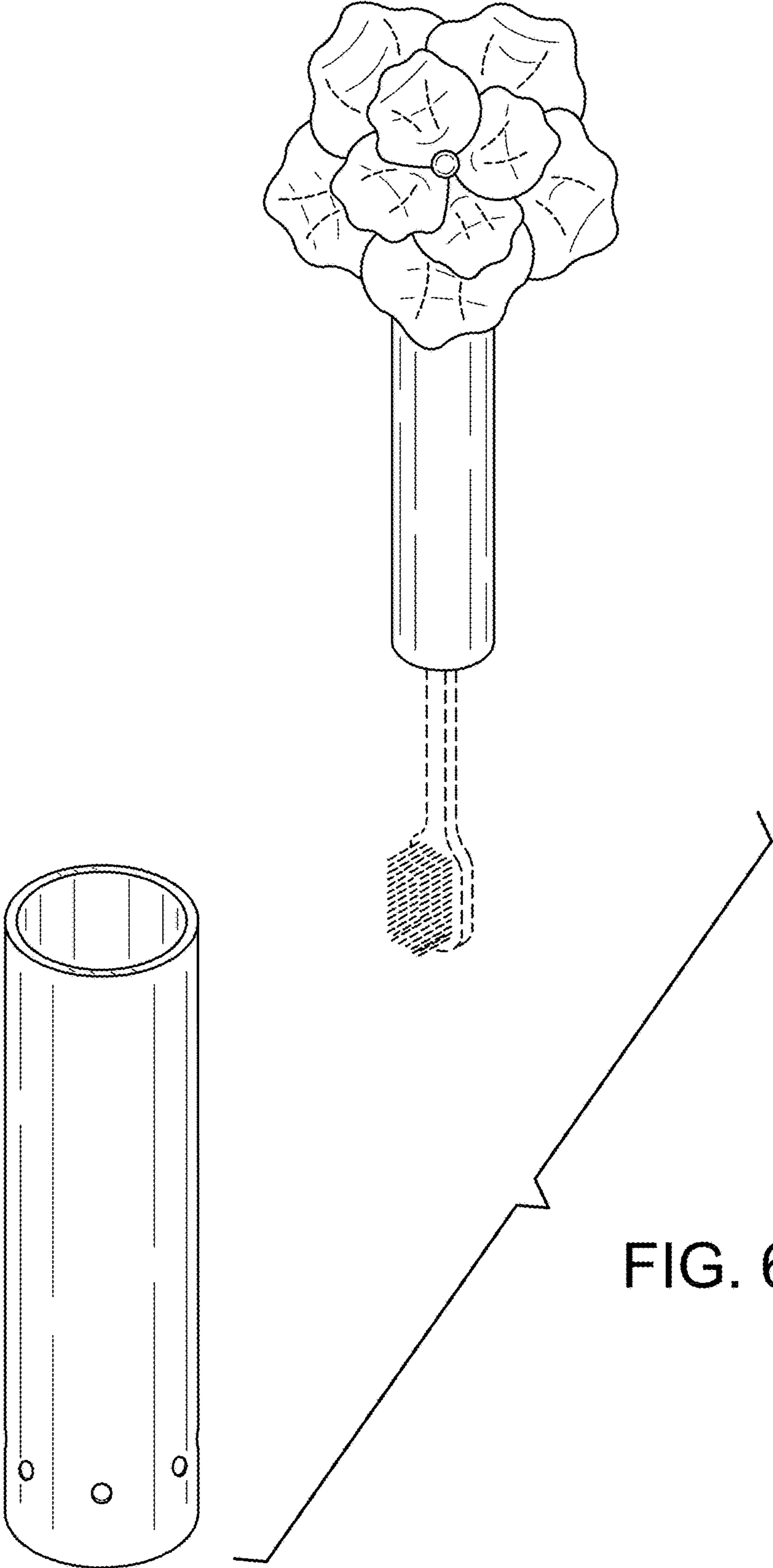


FIG. 6