



US00D822404S

(12) **United States Design Patent** (10) **Patent No.:** **US D822,404 S**  
**Eads** (45) **Date of Patent:** **\*\* Jul. 10, 2018**

- (54) **TISSUE HOLDER**
- (71) Applicant: **DELTA FAUCET COMPANY**,  
Indianapolis, IN (US)
- (72) Inventor: **Thad Eads**, North Manchester, IN (US)
- (73) Assignee: **DELTA FAUCET COMPANY**,  
Indianapolis, IN (US)
- (\*\*) Term: **15 Years**
- (21) Appl. No.: **29/600,399**
- (22) Filed: **Apr. 12, 2017**

D520,280 S *	5/2006	Ferrer Beltran	.....	D6/523
D520,787 S *	5/2006	Ferrer Beltran	.....	D6/523
D520,788 S *	5/2006	Hoernig	.....	D6/546
D521,288 S *	5/2006	Barry	.....	D6/523
D521,291 S *	5/2006	Ferrer Beltran	.....	D6/546
D521,292 S *	5/2006	Ferrer Beltran	.....	D6/546
D522,294 S *	6/2006	Ferrer Beltran	.....	D6/523
D522,295 S *	6/2006	Ferrer Beltran	.....	D6/546
D523,272 S *	6/2006	Ferrer Beltran	.....	D6/546
D523,273 S *	6/2006	Ferrer Beltran	.....	D6/546
D540,593 S *	4/2007	Hoernig	.....	D6/523
D550,489 S *	9/2007	Williams	.....	D6/523
D573,821 S *	7/2008	Rubin	.....	D6/523
D621,646 S *	8/2010	De Bonis	.....	D6/523
D683,987 S *	6/2013	Bickler	.....	D6/523
D764,207 S *	8/2016	Goodman	.....	D6/522
D766,613 S *	9/2016	Citterio	.....	D6/523
D767,727 S *	9/2016	Eads	.....	D23/242
D767,730 S *	9/2016	Eads	.....	D23/252
2009/0078815 A1 *	3/2009	Tong	.....	A47K 10/38 242/557

**Related U.S. Application Data**

- (62) Division of application No. 29/551,227, filed on Jan. 12, 2016, now Pat. No. Des. 790,875.
- (51) **LOC (11) Cl.** ..... **06-04**
- (52) **U.S. Cl.**  
USPC ..... **D6/523**
- (58) **Field of Classification Search**  
USPC ..... D6/518-523, 546, 549; 206/389;  
211/123, 124; 242/520, 555, 595, 597;  
248/309.1, 309.2  
CPC ..... A47K 10/12; A47K 10/38; A47K 10/22;  
A47K 10/40; A47K 2010/3233; A47K  
2010/3863  
See application file for complete search history.

\* cited by examiner

*Primary Examiner* — David Muller  
*Assistant Examiner* — Nathan Johnston  
(74) *Attorney, Agent, or Firm* — Edgar A. Zarins; Nirav D. Parikh

(57) **CLAIM**

The ornamental design for a tissue holder, as shown and described.

**DESCRIPTION**

FIG. 1 is a perspective view of a tissue holder showing my new design;  
FIG. 2 is a top plan view thereof;  
FIG. 3 is a front elevation view thereof;  
FIG. 4 is a rear elevation view thereof;  
FIG. 5 is a right side elevation view thereof; and,  
FIG. 6 is a left side elevation view thereof.

**1 Claim, 2 Drawing Sheets**

(56) **References Cited**  
U.S. PATENT DOCUMENTS

D374,585 S *	10/1996	Moon	.....	D6/523
D398,466 S *	9/1998	Odom	.....	D6/521
D450,503 S *	11/2001	Gottwald	.....	D6/523
D455,587 S *	4/2002	Ou-Young	.....	D6/523
D471,748 S *	3/2003	Moore	.....	D6/523
D520,279 S *	5/2006	Ferrer Beltran	.....	D6/523

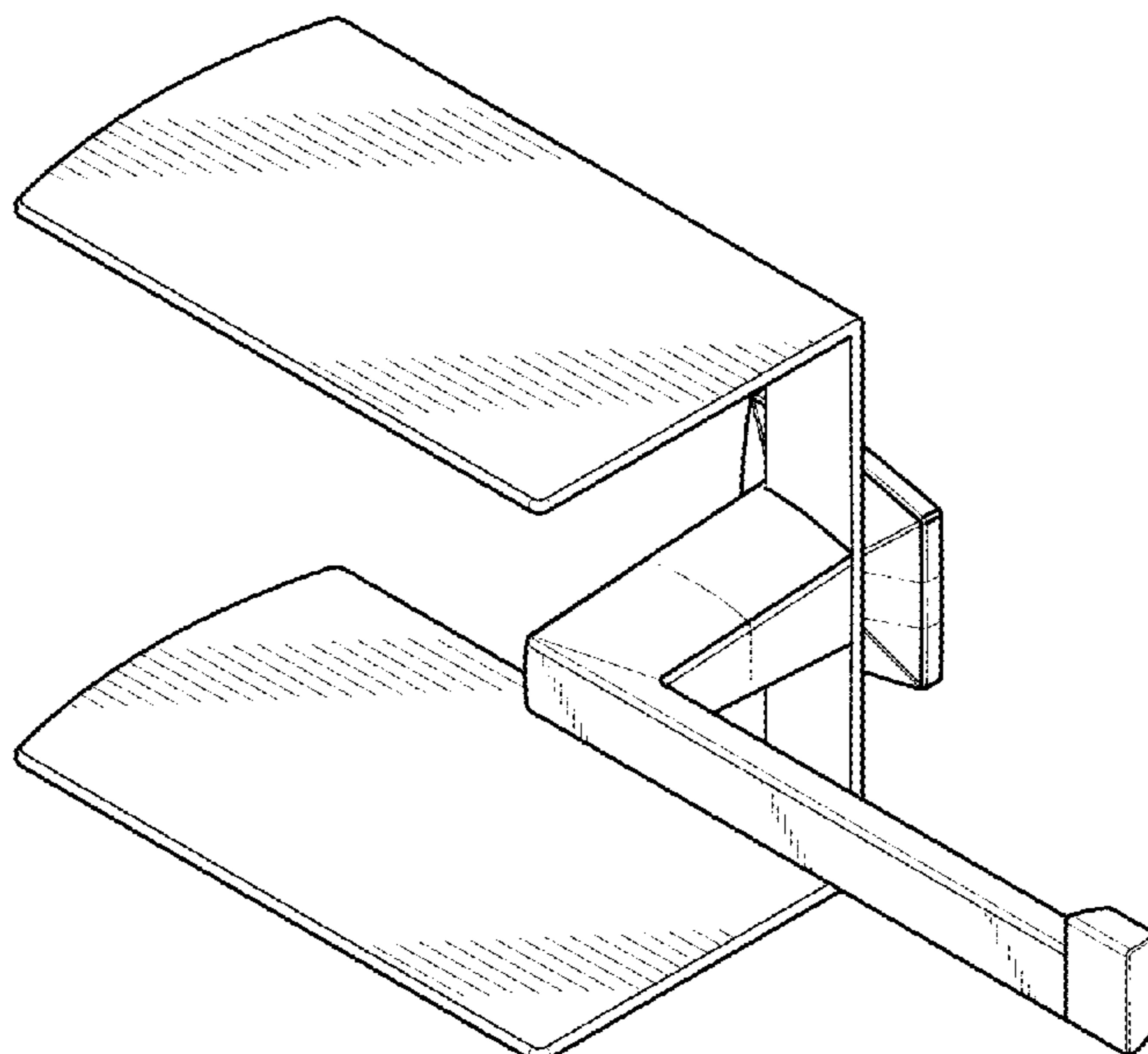


Fig-1

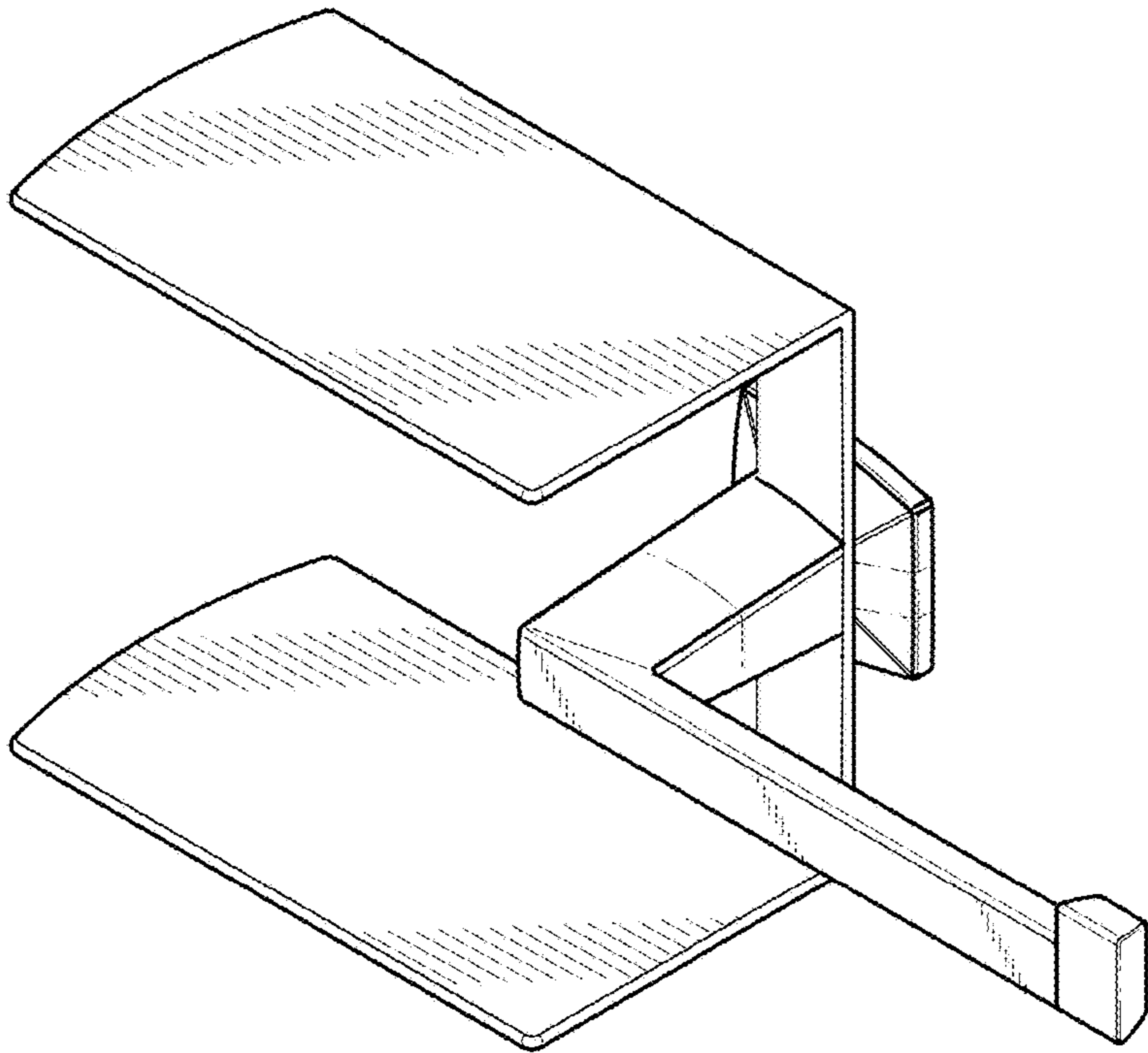


Fig-2

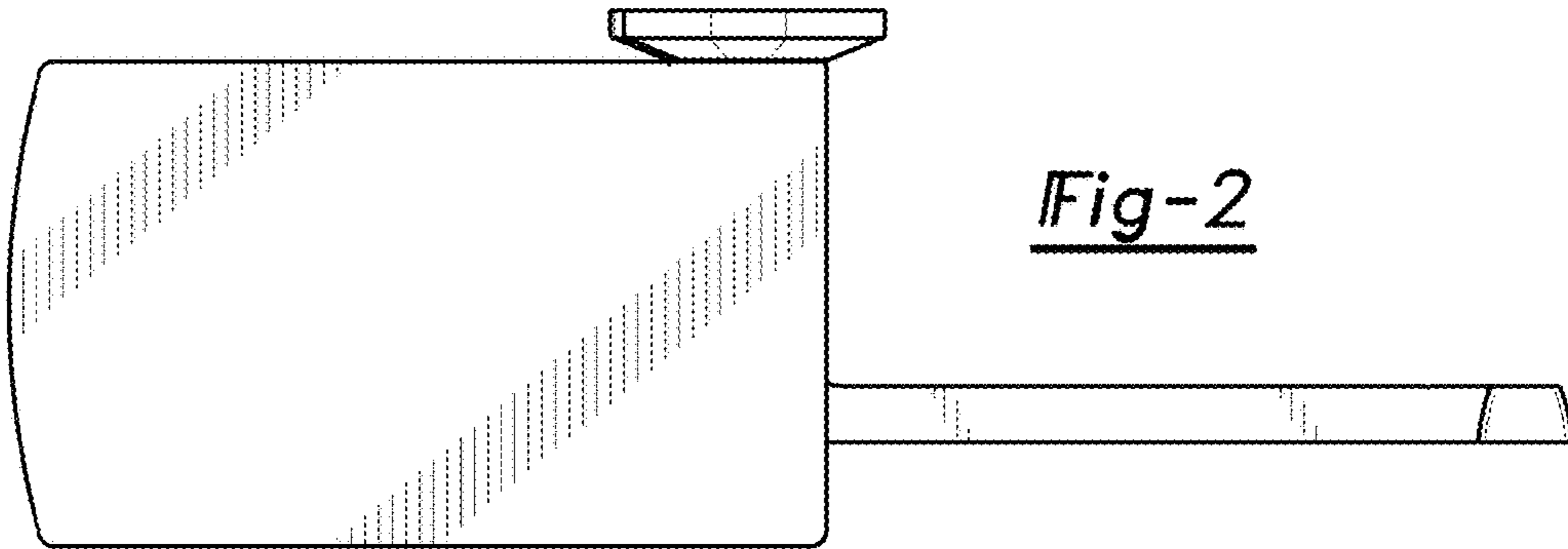
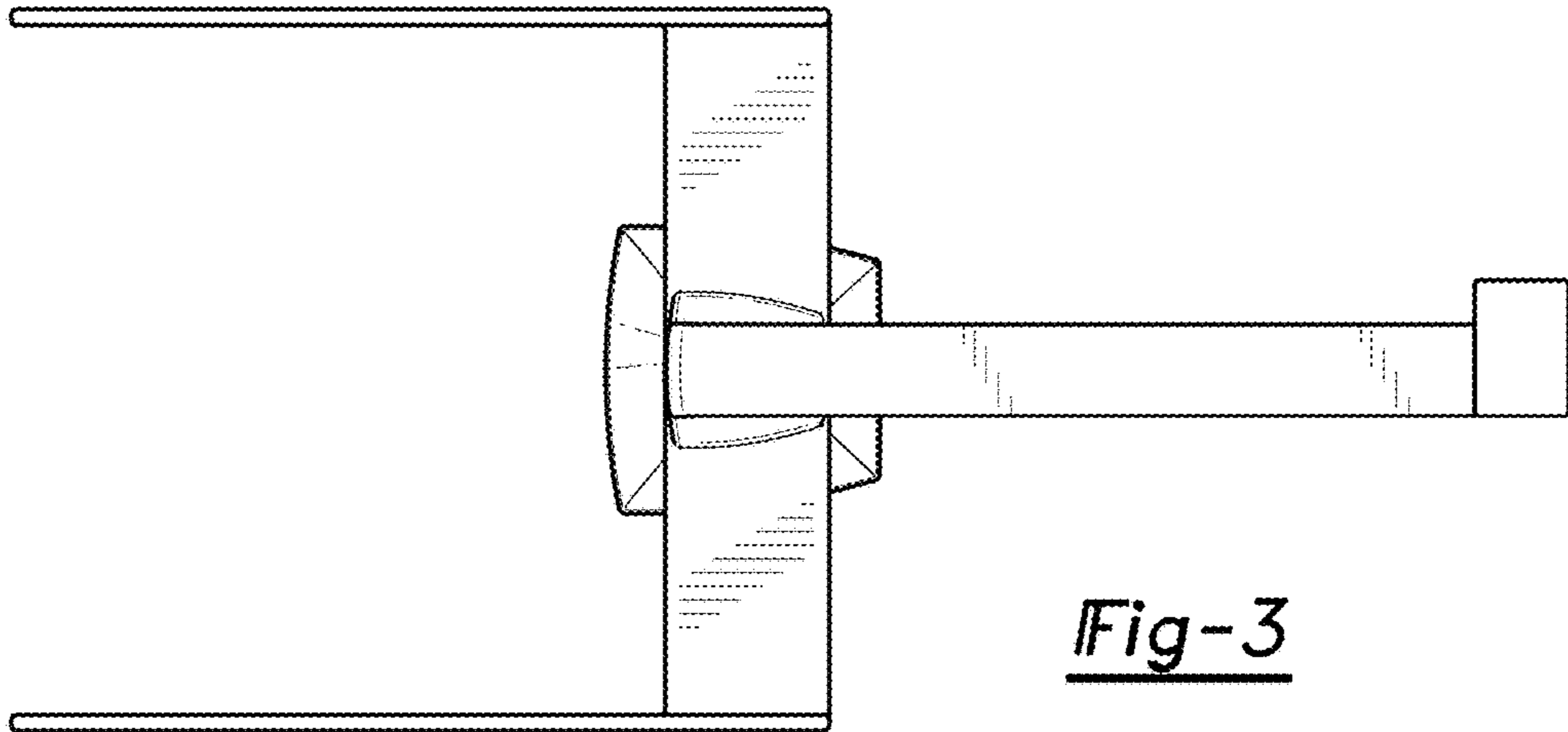


Fig-3



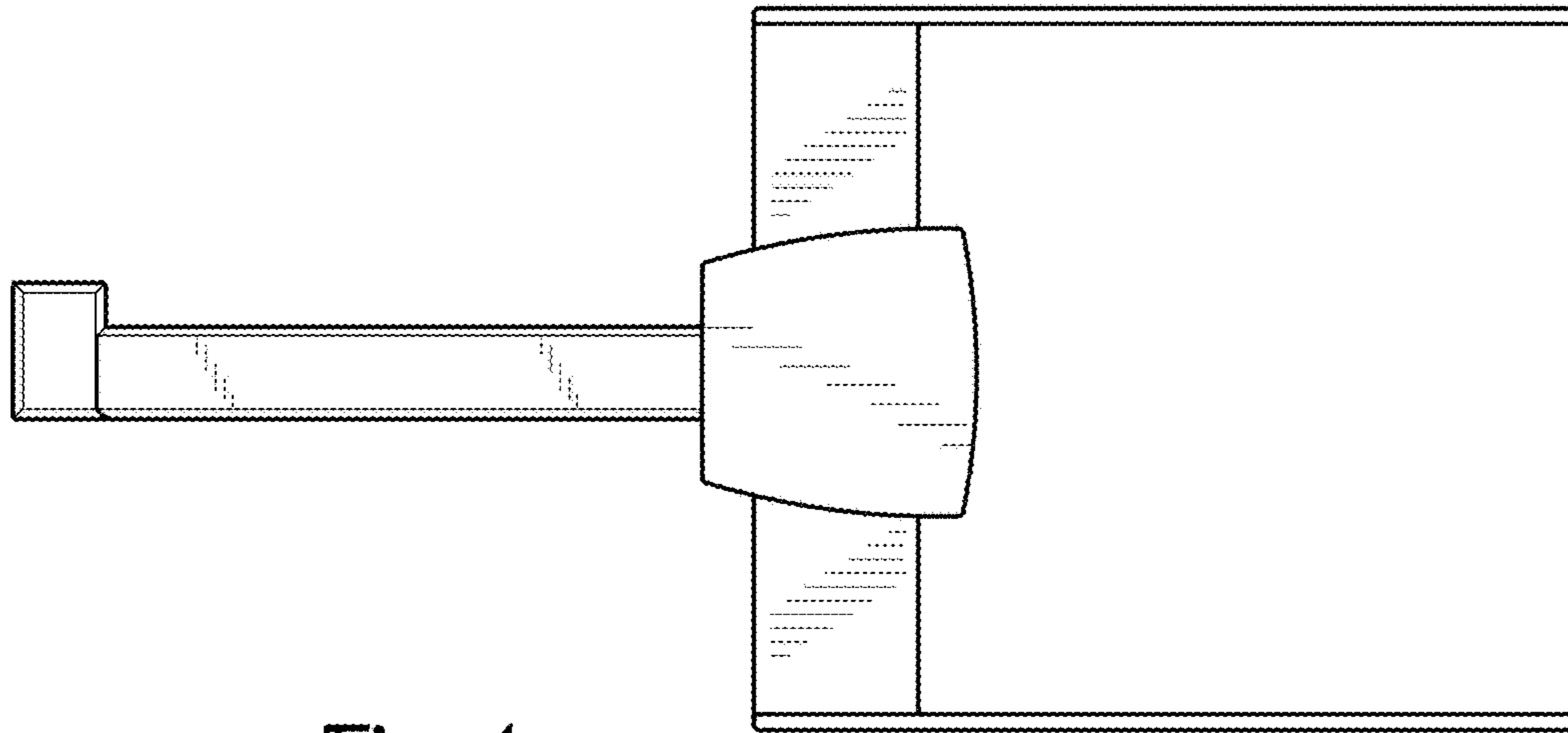


Fig-4

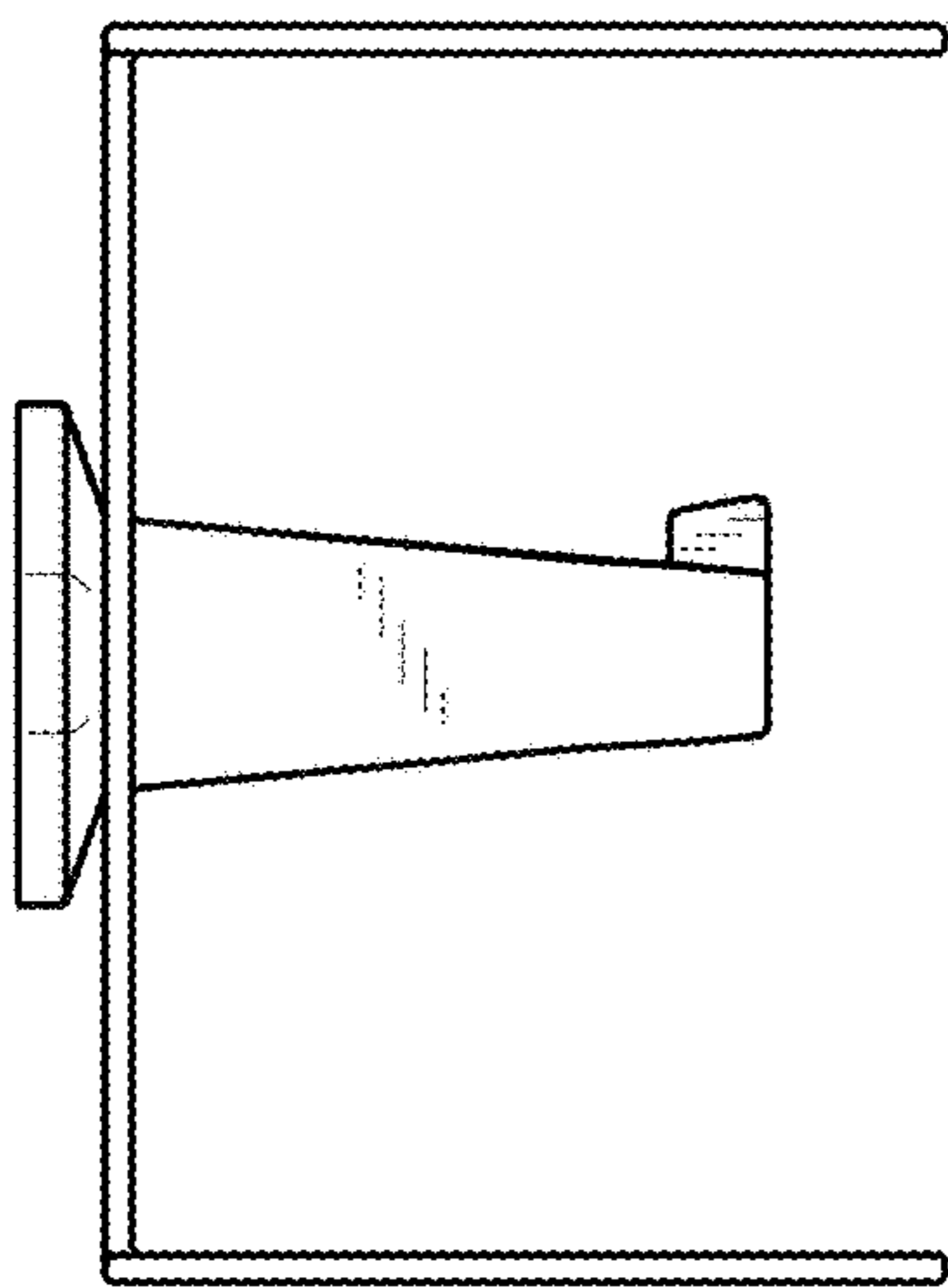


Fig-5

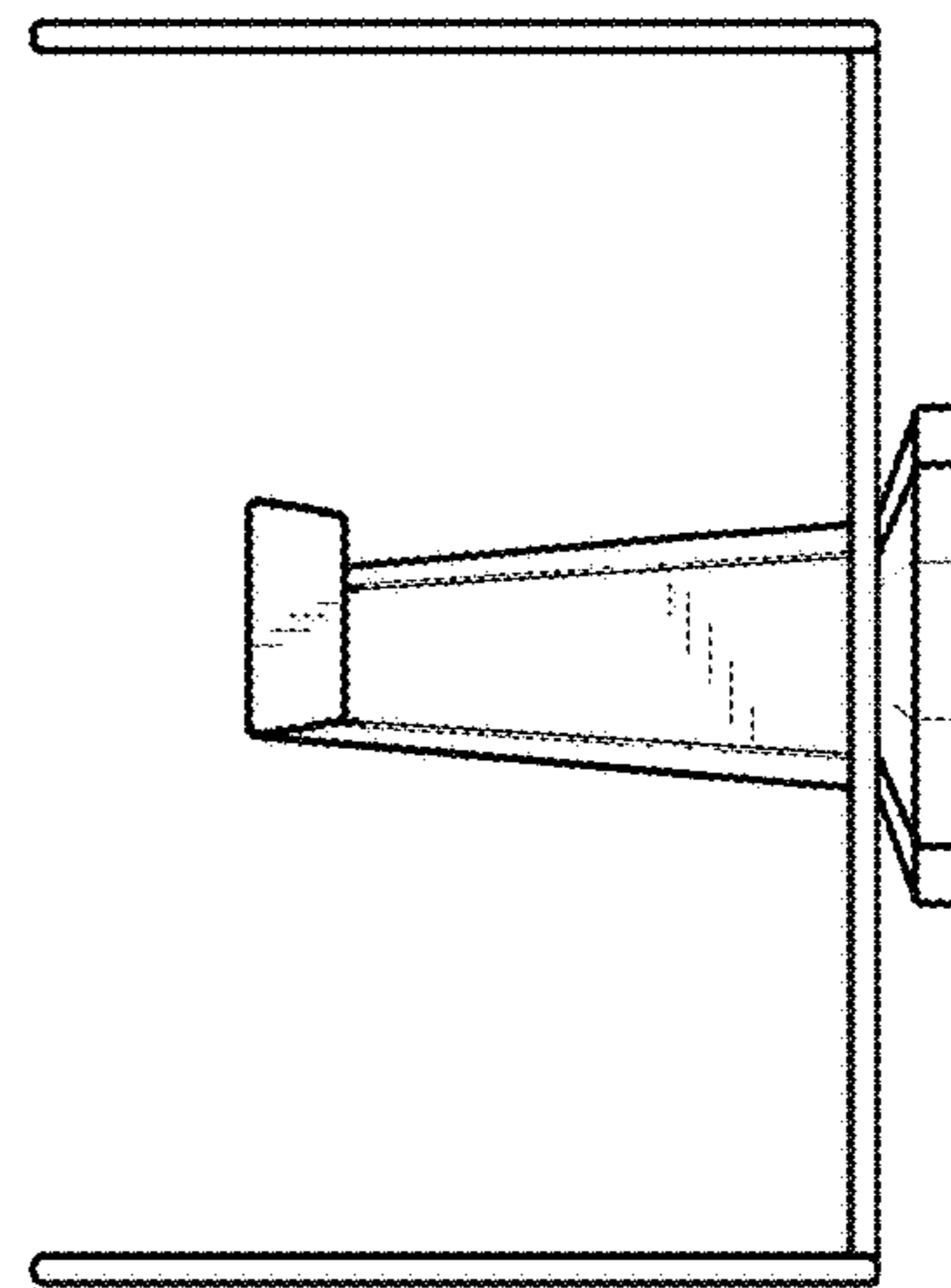


Fig-6