

US00D822403S

(12) **United States Design Patent** (10) **Patent No.:** **US D822,403 S**
Goodman et al. (45) **Date of Patent:** **** Jul. 10, 2018**

(54) **PAPER TOWEL HOLDER**
(71) Applicant: **Spectrum Diversified Designs, LLC**,
Streetsboro, OH (US)
(72) Inventors: **Sheldon Goodman**, Solon, OH (US);
Courtney Wilson, Chardon, OH (US);
Matthew Gregory Hanson, Chagrin
Falls, OH (US)
(73) Assignee: **SPECTRUM DIVERSIFIED
DESIGNS, LLC**, Streetsboro, OH (US)

2,697,562 A 4/1951 Langer
2,555,531 A 6/1951 Boord
2,592,571 A 4/1952 Huntington
2,936,148 A * 5/1960 Gralewicz A47G 25/0607
211/100

(Continued)

FOREIGN PATENT DOCUMENTS

DE 2645184 4/1978
DE 3928806 11/1990

(Continued)

OTHER PUBLICATIONS

Spectrum diversified website, reverse wall mount paper towel
holder, Nov. 14, 2017, [https://www.spectrumdiversified.com/whs/
products/Reverse-Wall-Mount-Paper-Towel-Holder](https://www.spectrumdiversified.com/whs/products/Reverse-Wall-Mount-Paper-Towel-Holder) (Year: 2017).*

Primary Examiner — David Muller
Assistant Examiner — Nathan Johnston
(74) *Attorney, Agent, or Firm* — Tucker Ellis LLP;
Patrick F. Clunk

(**) Term: **15 Years**
(21) Appl. No.: **29/594,246**
(22) Filed: **Feb. 16, 2017**
(51) **LOC (11) Cl.** **23-02**
(52) **U.S. Cl.**
USPC **D6/522**
(58) **Field of Classification Search**
USPC D6/518-523; 211/13.1, 16, 85.5, 86.01,
211/87.01, 88.04, 100, 105.1, 105.2, 106,
211/113, 123, 181.1, 182-183; 248/49,
248/175, 176.1, 200, 201, 205.1, 251,
248/302, 309.1, 315; D8/300, 370, 315;
108/28-29; 242/570, 590, 595-598;
D25/45
CPC A47K 10/40; A47K 10/3836; A47K 10/22;
A47K 10/38; A47K 2010/389; A47K
2010/3233; A47K 2010/3872
See application file for complete search history.

(57) **CLAIM**

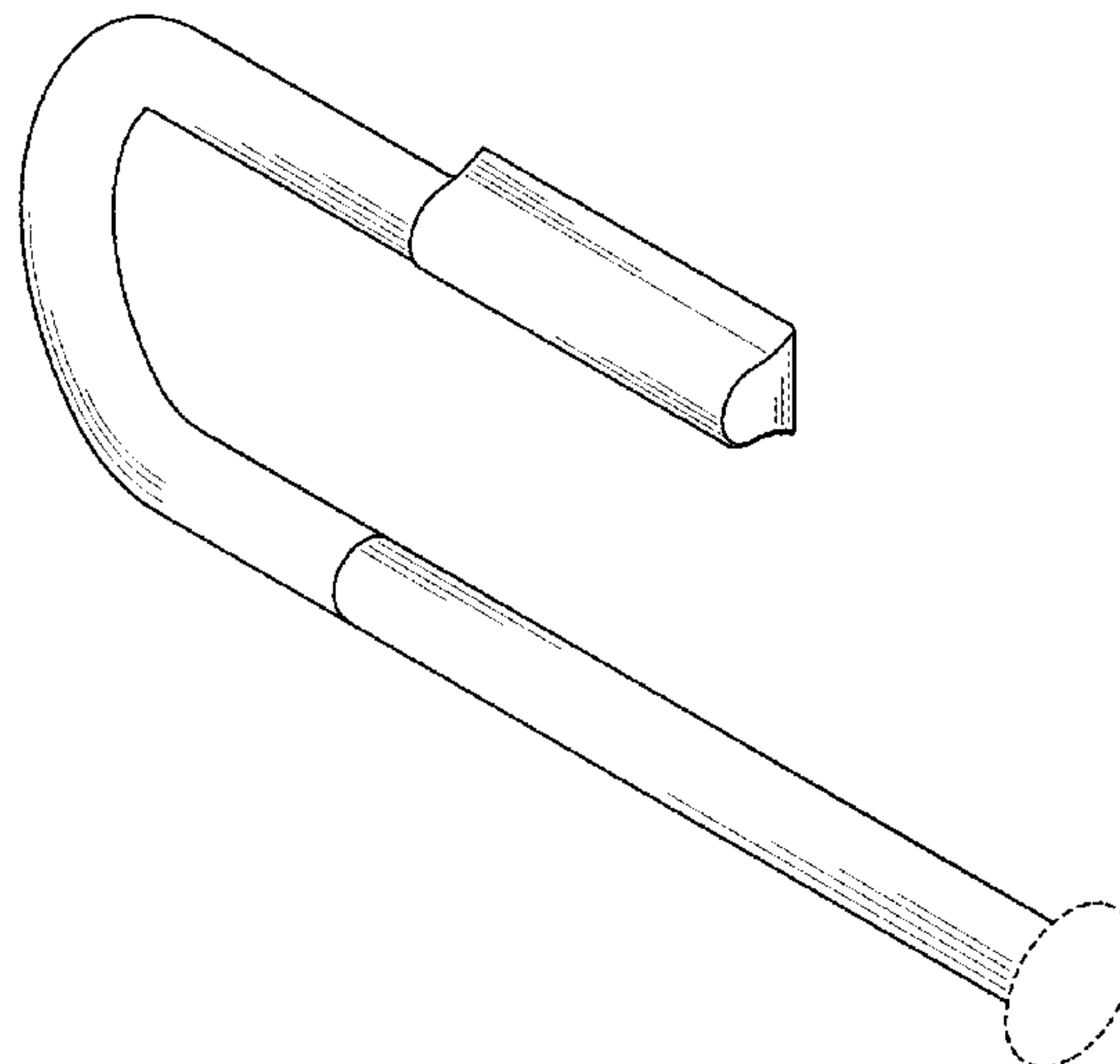
The ornamental design for a paper towel holder, as shown
and described.

DESCRIPTION

FIG. 1 is a perspective view of a paper towel holder showing
our new design;
FIG. 2 is a front elevation view thereof;
FIG. 3 is a rear elevation view thereof;
FIG. 4 is a left side elevation view thereof;
FIG. 5 is a right side elevation view thereof;
FIG. 6 is a top plan view thereof; and,
FIG. 7 is a bottom plan view thereof.
The broken lines show portions of the design that form no
part of the claimed design.

(56) **References Cited**
U.S. PATENT DOCUMENTS
320,576 A 6/1885 Myers
1,634,746 A 7/1927 Harris
1,687,819 A 10/1928 Worthington
1,692,059 A 11/1928 Starner
2,240,629 A * 5/1941 Smith A47K 10/3836
242/592
D155,897 S * 11/1949 Huntington 242/597.2

1 Claim, 4 Drawing Sheets



(56)

References Cited

U.S. PATENT DOCUMENTS

3,067,963 A 12/1962 Suggs
 3,227,386 A 1/1966 Pitcher
 4,241,885 A 12/1980 Robinson
 4,270,706 A 6/1981 Robinson
 4,319,687 A * 3/1982 Hull A47K 10/3836
 242/596.7
 D277,347 S * 1/1985 Thompson D6/523
 5,772,048 A * 6/1998 Sopcisak B62H 3/00
 211/196
 D424,345 S * 5/2000 Duggan D6/523
 D425,741 S * 5/2000 Duggan D6/523
 D431,947 S * 10/2000 Kopcak D6/523
 D432,829 S * 10/2000 Gastelum D6/523
 D432,830 S * 10/2000 Gastelum D6/523
 D433,261 S * 11/2000 Solowiej D6/523
 D442,406 S * 5/2001 Goodman D6/523
 D448,592 S 10/2001 McBride
 D449,477 S * 10/2001 Travis D6/546
 D450,502 S * 11/2001 Goodman D6/522
 D450,503 S * 11/2001 Gottwald D6/523
 D452,397 S * 12/2001 Gilbert D6/518
 6,345,797 B1 * 2/2002 Ming-Hsiao A47K 10/40
 211/105.1
 D464,834 S * 10/2002 Yen D6/546
 D465,365 S * 11/2002 Moore D6/523
 D477,481 S * 7/2003 Ouano D6/523
 D521,291 S * 5/2006 Ferrer Beltran D6/546

D521,292 S * 5/2006 Ferrer Beltran D6/546
 D522,295 S * 6/2006 Ferrer Beltran D6/546
 D523,273 S * 6/2006 Ferrer Beltran D6/546
 7,306,185 B1 12/2007 Miller
 D559,599 S * 1/2008 Bickler D6/523
 D576,435 S * 9/2008 Snell D6/513
 D663,984 S * 7/2012 Fritz D6/546
 8,621,988 B1 * 1/2014 O'Dea A47J 43/18
 211/181.1
 D699,967 S * 2/2014 Goodman D6/522
 D701,058 S * 3/2014 Goodman D6/522
 D723,298 S * 3/2015 Goodman D6/513
 D763,596 S * 8/2016 Goodman D6/522
 D764,207 S * 8/2016 Goodman D6/522
 D784,043 S * 4/2017 Goodman D6/546
 D788,489 S * 6/2017 Goodman D6/546
 2008/0001018 A1 * 1/2008 Burnett A47K 10/3836
 242/597.5
 2009/0078816 A1 * 3/2009 Tong A47K 10/38
 242/597
 2011/0101152 A1 5/2011 Molstad

FOREIGN PATENT DOCUMENTS

FR	2897606	8/2007
GB	1073205	6/1967
KR	1118522	2/2012
WO	9905952	2/1999

* cited by examiner

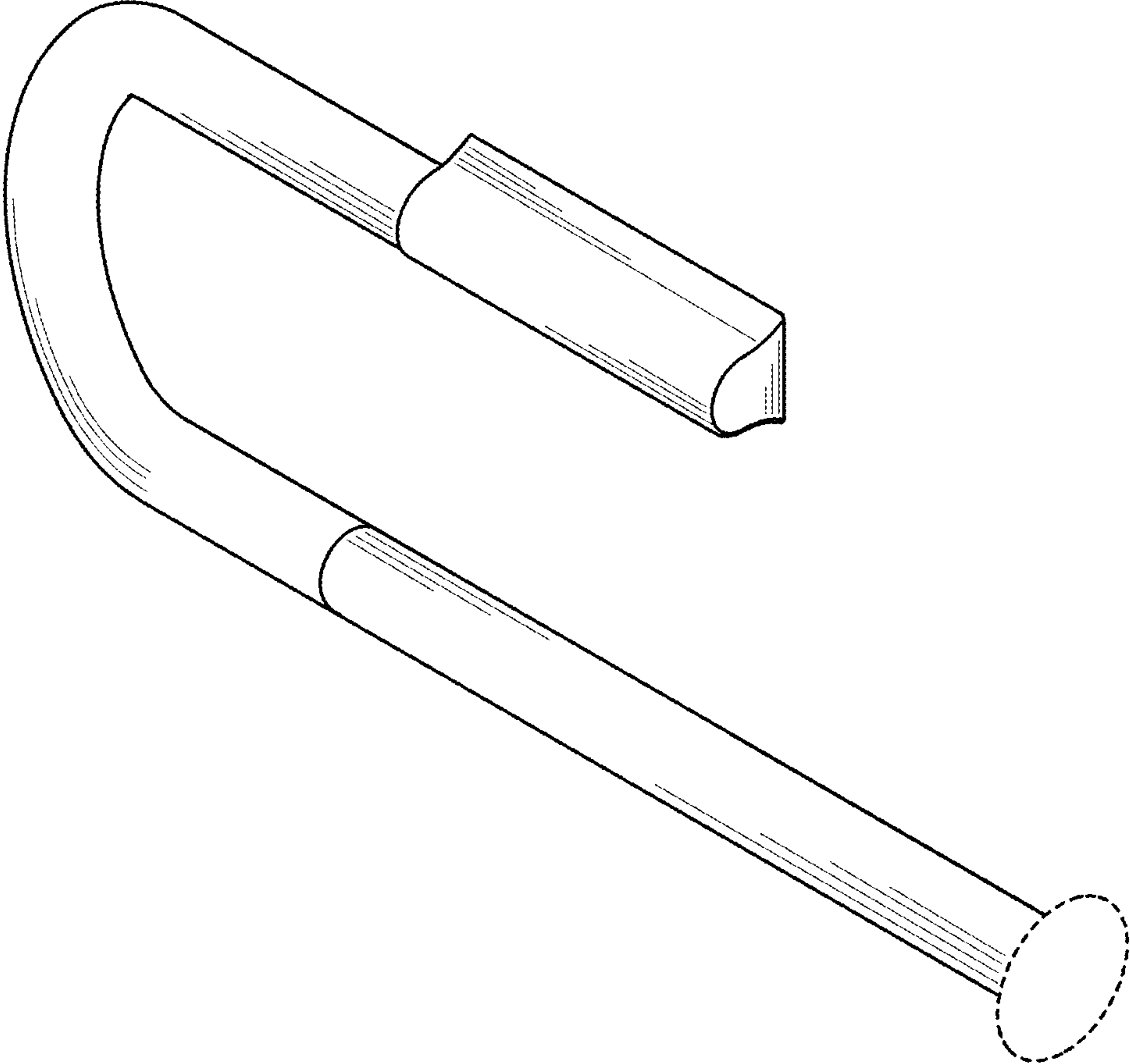


FIG. 1

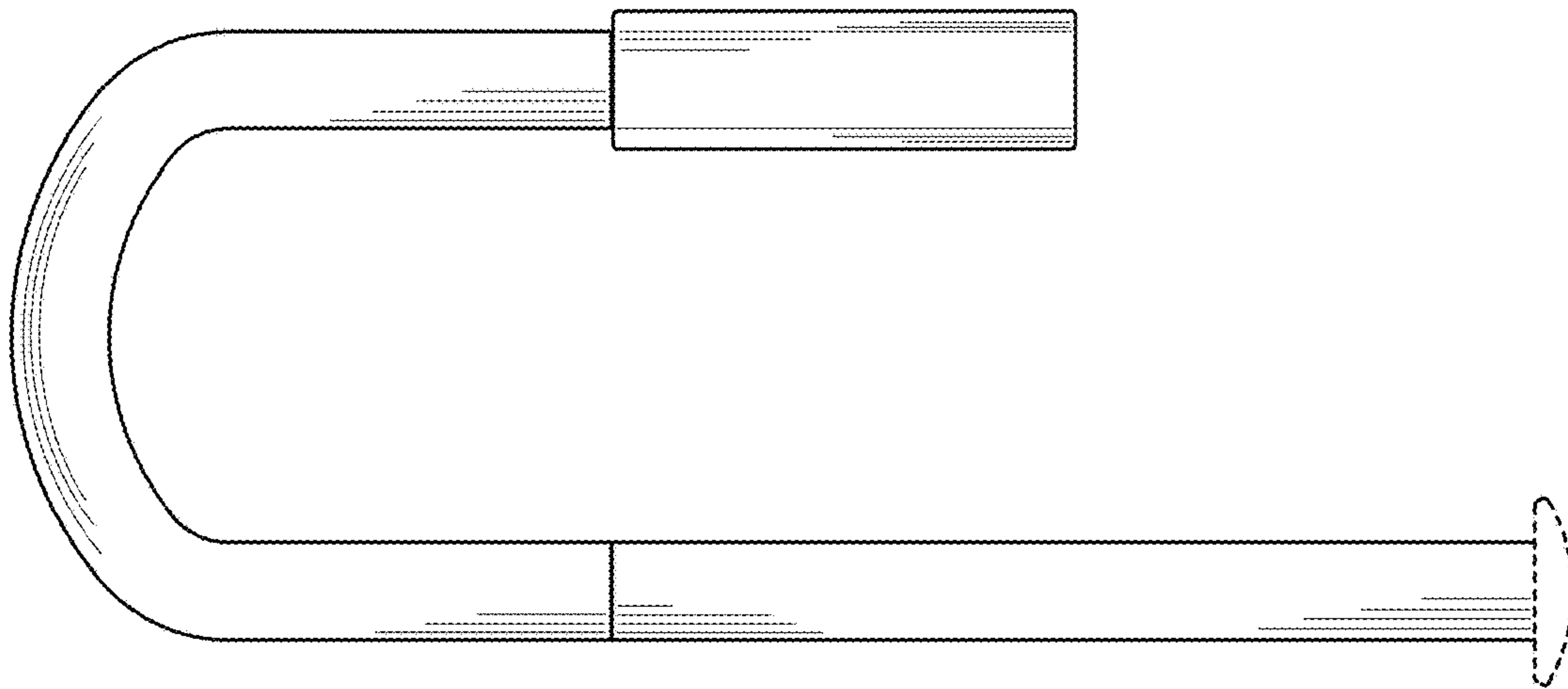


FIG. 2

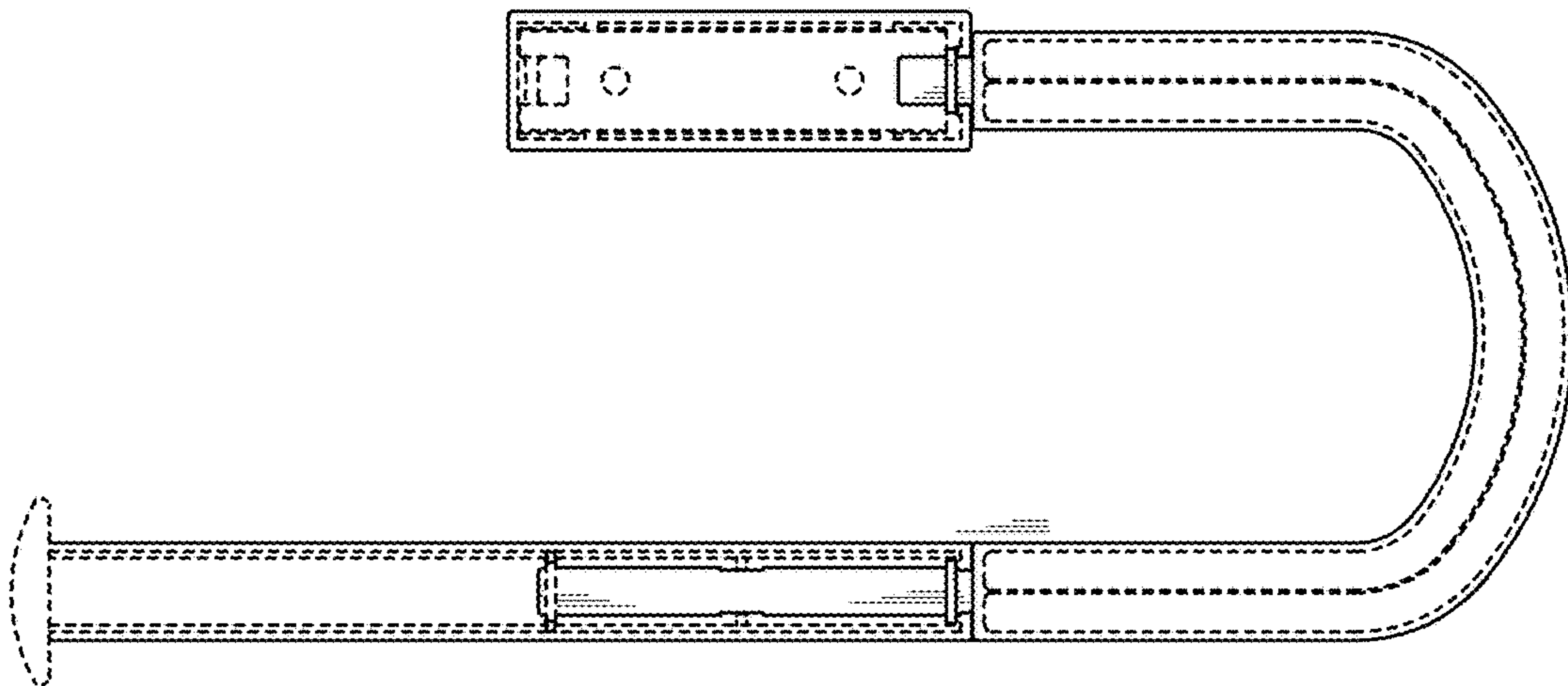


FIG. 3

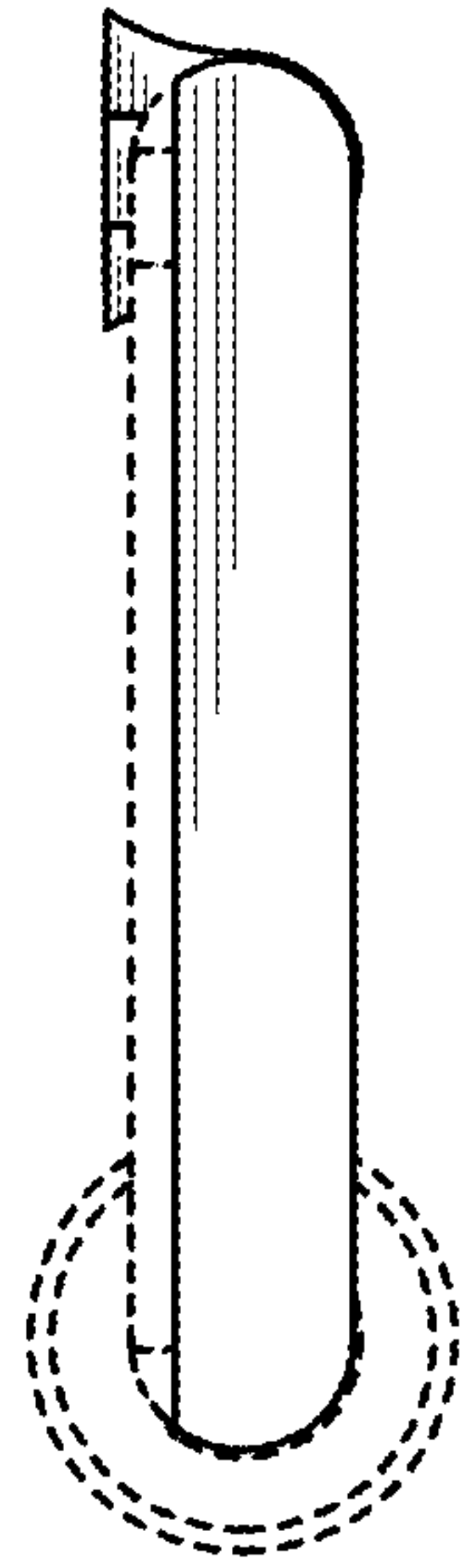


FIG. 4

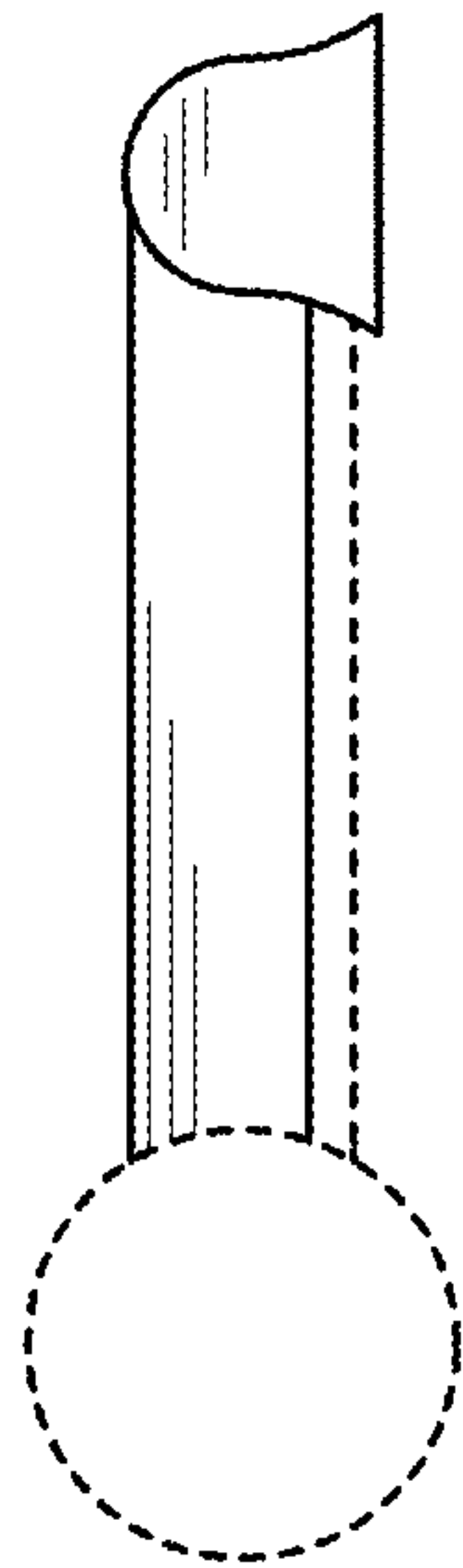


FIG. 5

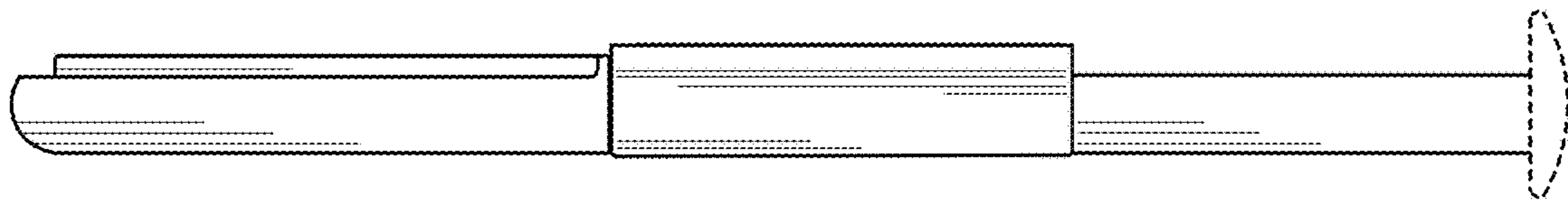


FIG. 6

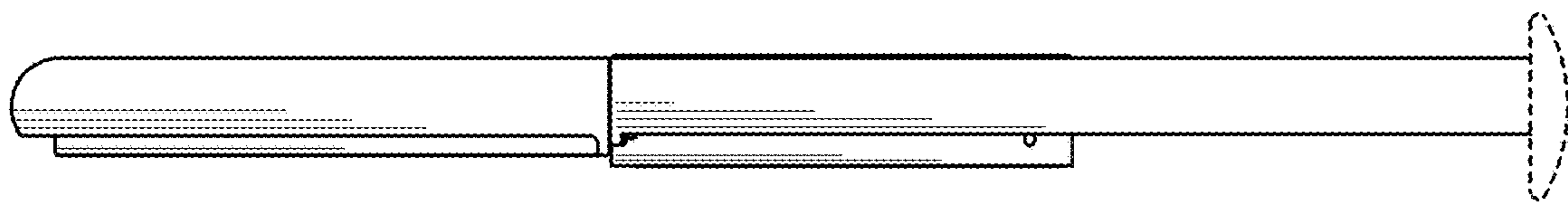


FIG. 7