



US00D822400S

(12) **United States Design Patent**
Andersen et al.

(10) **Patent No.:** **US D822,400 S**
(45) **Date of Patent:** **** *Jul. 10, 2018**

(54) **SOFA**

(71) Applicant: **Innovation U.S.A., Inc.**, Irvine, CA
(US)

(72) Inventors: **Per Weiss Andersen**, Randers (DK);
Oliver Weiss Krog, Randers (DK)

(73) Assignee: **Innovation U.S.A., Inc.**, Irvine, CA
(US)

(*) Notice: This patent is subject to a terminal disclaimer.

(**) Term: **15 Years**

(21) Appl. No.: **29/567,649**

(22) Filed: **Jun. 10, 2016**

(30) **Foreign Application Priority Data**

Dec. 10, 2015 (CN) 2015 3 05197929

(51) **LOC (11) Cl.** **06-01**

(52) **U.S. Cl.**
USPC **D6/381**

(58) **Field of Classification Search**

USPC D6/334, 349-350, 364-368, 374, 375,
D6/379, 380, 381, 403, 405, 406.6,
D6/654-654.1, 678-678.2, 682.1-682.6,
D6/684-686, 691, 691.8-691.9, 698, 699,
D6/705, 705.5, 707.19, 708, 708.21, 716;
297/284.4, 452.18, 452.24, 452.26,
297/452.28, 452.32-452.33, 452.37;
5/12.1

CPC A47C 7/02; A47C 7/44; A47C 7/46; A47C
7/48; A47C 7/54; A47C 7/386; A47C
7/462; A47C 1/035; A47C 1/0352; A47C
20/026; A47C 20/27; A47C 23/005; A47C
7/70; A47C 4/04; A47C 7/006; A47C
13/005; A47C 17/86; A47C 4/00; A47C
4/03; A47C 17/00; A47C 17/02; A47C
17/04; A47C 1/02; A47C 17/045; A47C
17/16; A47C 17/1655; A47C 17/37; A47C

19/122; A47C 19/205; A47C 19/207;
A47C 1/146; A47C 31/023; A47C 31/11;
A47C

(Continued)

(56) **References Cited**

U.S. PATENT DOCUMENTS

D490,996 S 6/2004 Weiss et al.
D569,648 S 5/2008 Weiss

(Continued)

OTHER PUBLICATIONS

Non Final Office Action dated Oct. 6, 2017 for Design U.S. Appl.
No. 29/567,651.

Primary Examiner — Manpreet Matharu

Assistant Examiner — Keith Wilson

(74) *Attorney, Agent, or Firm* — Miles & Stockbridge
P.C.; David R. Schaffer

(57) **CLAIM**

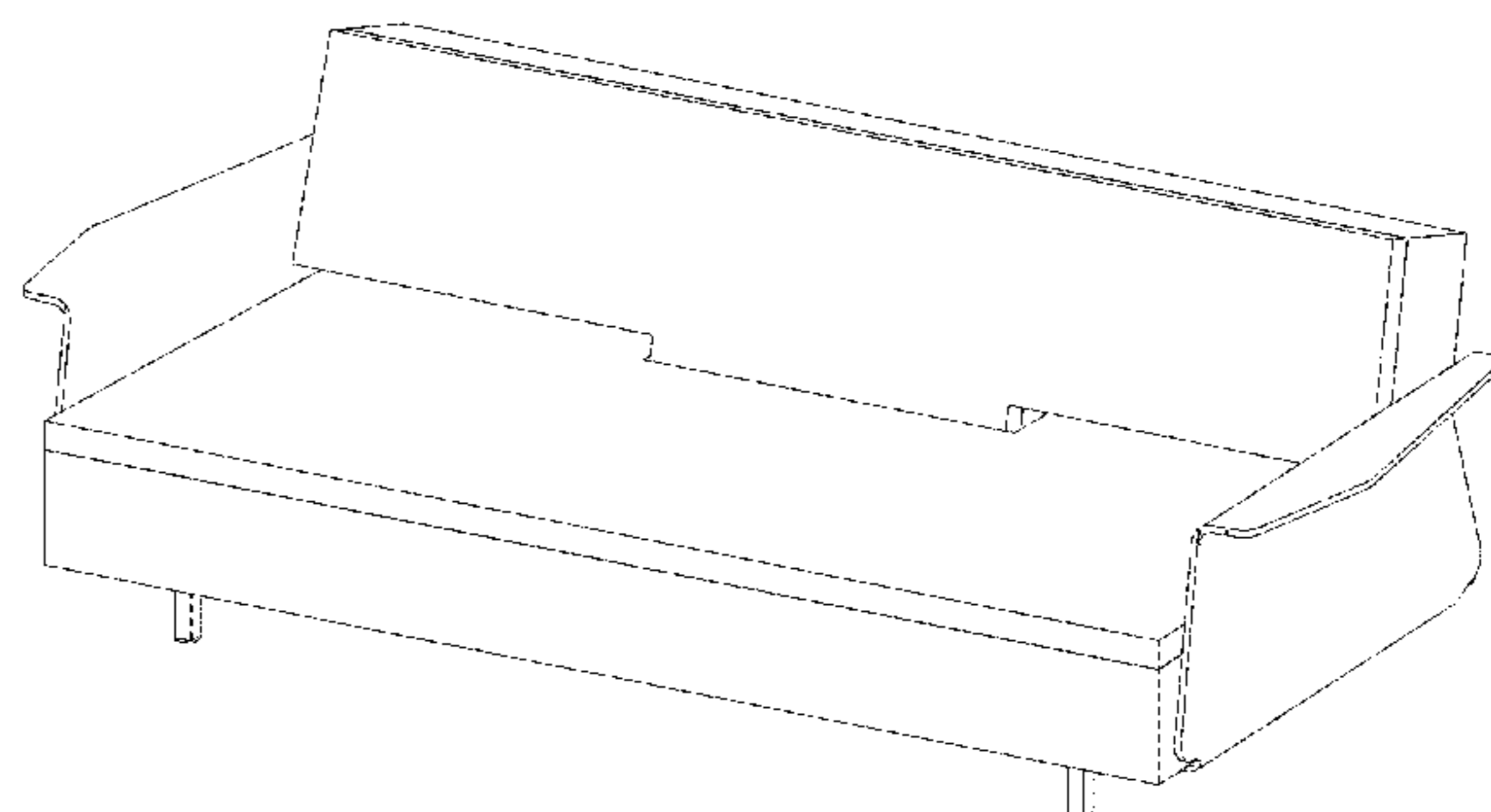
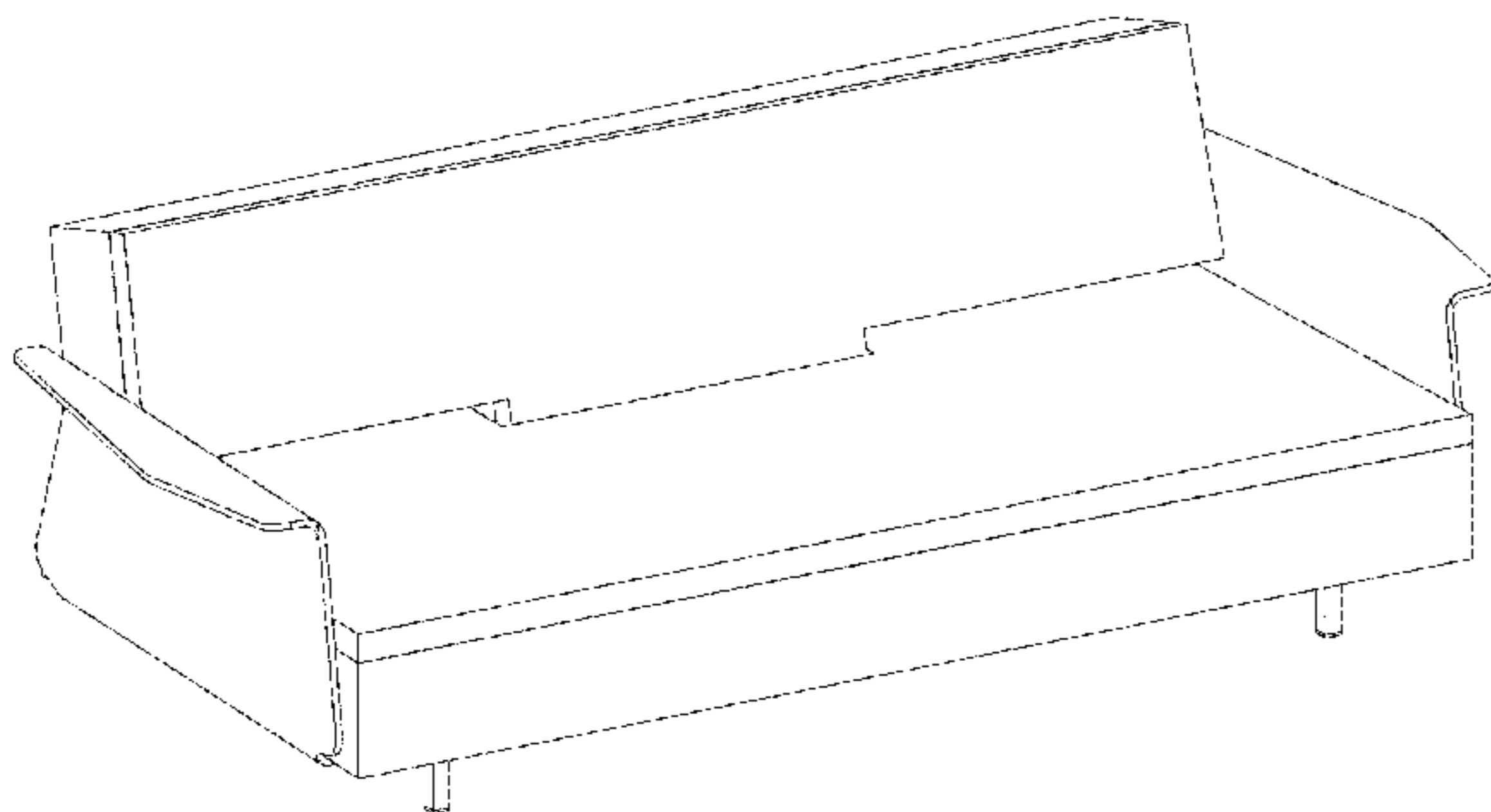
The ornamental design for a sofa, as shown and described.

DESCRIPTION

FIG. 1 is a front view of the sofa showing the new design;
FIG. 2 is a back view thereof;
FIG. 3 is a left side view thereof;
FIG. 4 is a right side view thereof;
FIG. 5 is a top plan view thereof;
FIG. 6 is a boom plan view thereof;
FIG. 7 is a left front perspective view thereof;
FIG. 8 is a right front perspective view thereof;
FIG. 9 is a left front perspective view thereof in a fully
reclined position; and,
FIG. 10 is a right front perspective view thereof in a fully
reclined position.

The elements shown in broken lines are for illustrative
purposes only and form no part of the claimed design.

1 Claim, 5 Drawing Sheets



(58) **Field of Classification Search**
 CPC ... 3/045; A47C 4/06; A47C 4/22; A47C 4/28;
 A47C 4/38; A47C 4/44; A47C 4/54;
 A47C 5/02; A47C 7/022; A47C 7/024;
 A47C 7/18; A47C 7/24; A47C 7/36;
 A47C 11/005; A47C 19/045; A47C
 15/004; A47C 1/03; A47C 7/40; A47C
 1/024; A47C 31/00; A47C 4/20; B60N
 2/02; B60N 2/22; B60N 2/44
 See application file for complete search history.

(56) **References Cited**
 U.S. PATENT DOCUMENTS

D575,545 S 8/2008 Weiss
 D583,585 S 12/2008 Weiss
 D591,071 S 4/2009 Weiss
 D591,970 S 5/2009 Weiss
 D592,416 S 5/2009 Weiss
 D603,617 S 11/2009 Weiss
 D603,618 S 11/2009 Weiss
 D604,957 S 12/2009 Weiss
 D610,366 S * 2/2010 Kanthasamy D6/381

D614,419 S 4/2010 Andersen
 D615,315 S 5/2010 Andersen
 D615,316 S 5/2010 Andersen
 D615,317 S 5/2010 Andersen
 D615,766 S 5/2010 Andersen
 D616,214 S 5/2010 Andersen
 D616,215 S 5/2010 Andersen
 D617,571 S 6/2010 Andersen
 D618,007 S 6/2010 Andersen
 D623,869 S 9/2010 Andersen
 D635,791 S * 4/2011 Kanthasamy D6/381
 D635,792 S * 4/2011 Kanthasamy D6/381
 D635,793 S * 4/2011 Kanthasamy D6/381
 D635,794 S * 4/2011 Kanthasamy D6/381
 D649,366 S 11/2011 Andersen
 D649,367 S 11/2011 Andersen
 D652,225 S 1/2012 Andersen
 D652,226 S 1/2012 Andersen
 RE43,754 E 10/2012 Andersen
 D687,241 S * 8/2013 Beucler D6/381
 D719,755 S * 12/2014 Kanthasamy D6/381
 2012/0297535 A1 * 11/2012 Kanthasamy A47C 20/043
 5/12.1
 2017/0150818 A1 * 6/2017 Contreras A47C 1/032

* cited by examiner

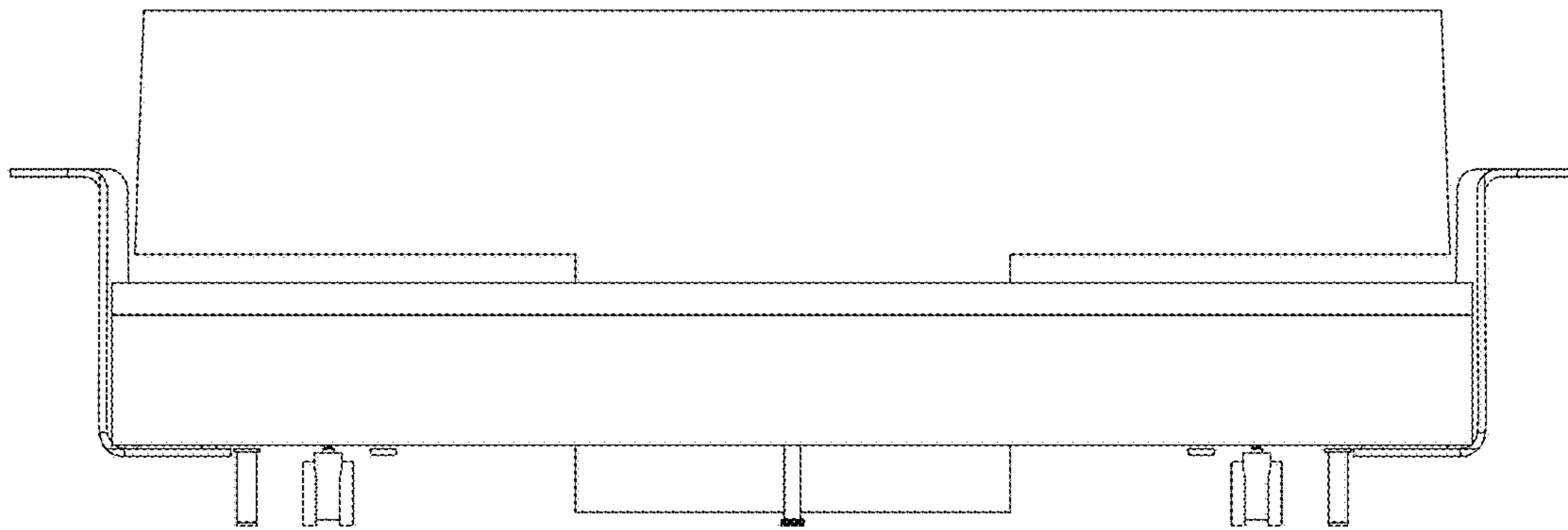


FIG. 1

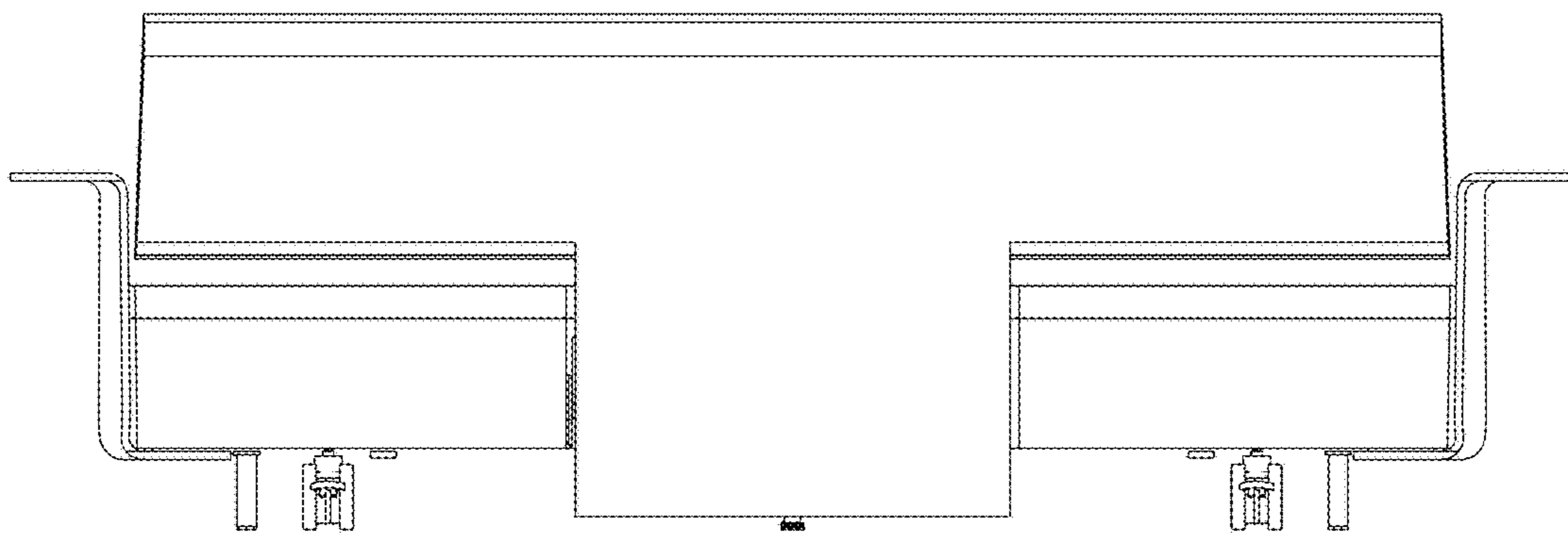


FIG. 2

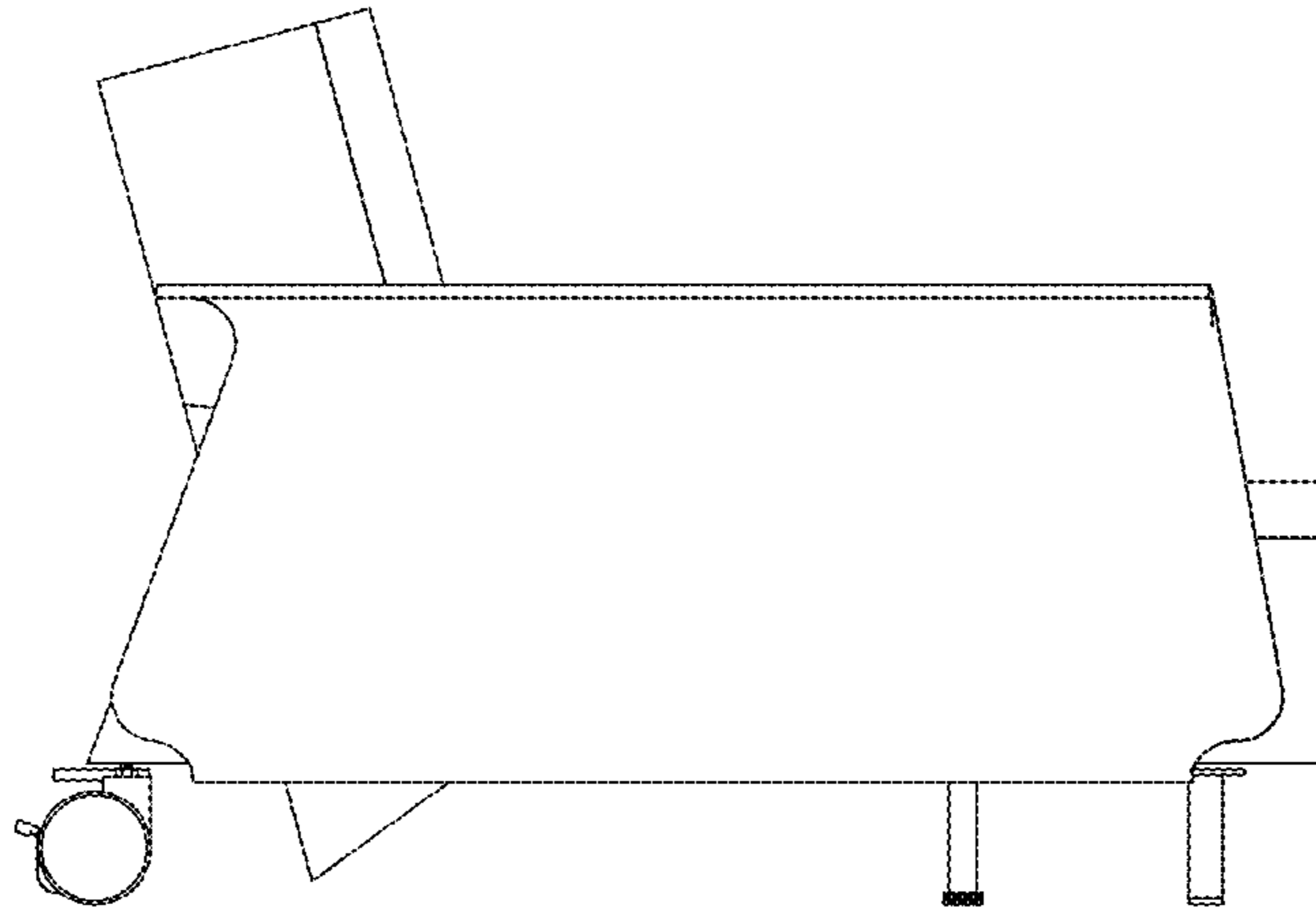


FIG. 3

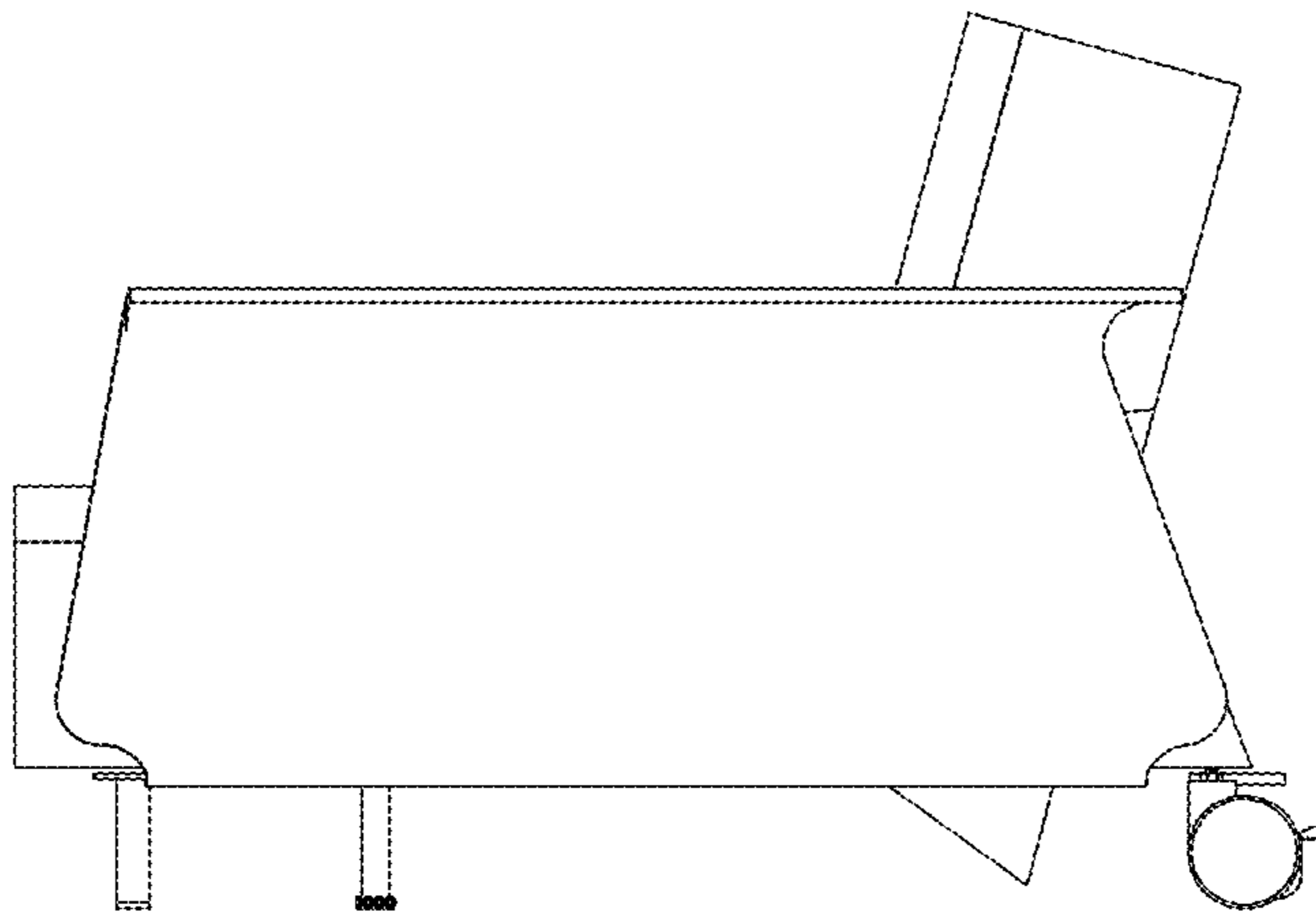


FIG. 4

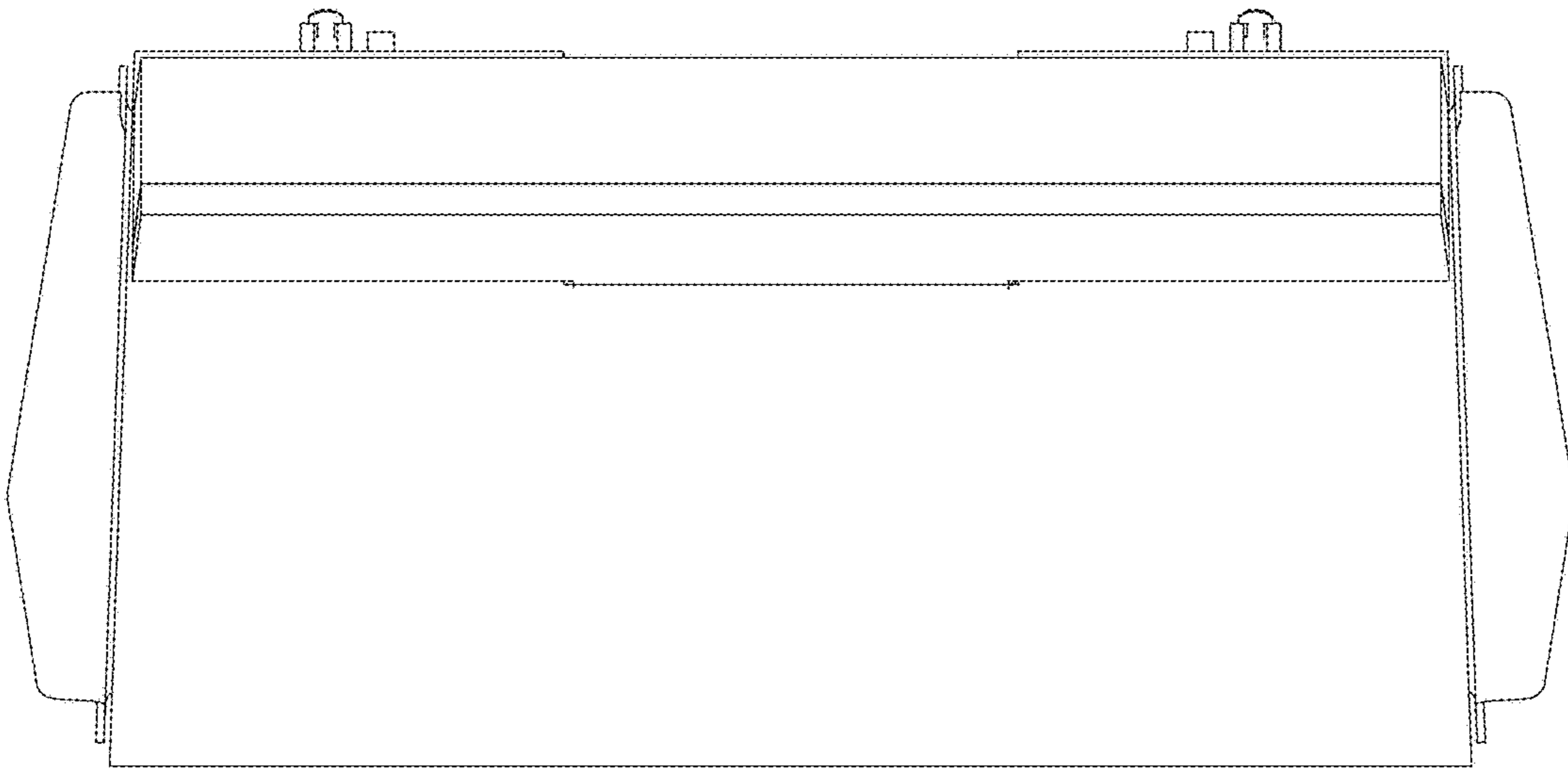


FIG. 5

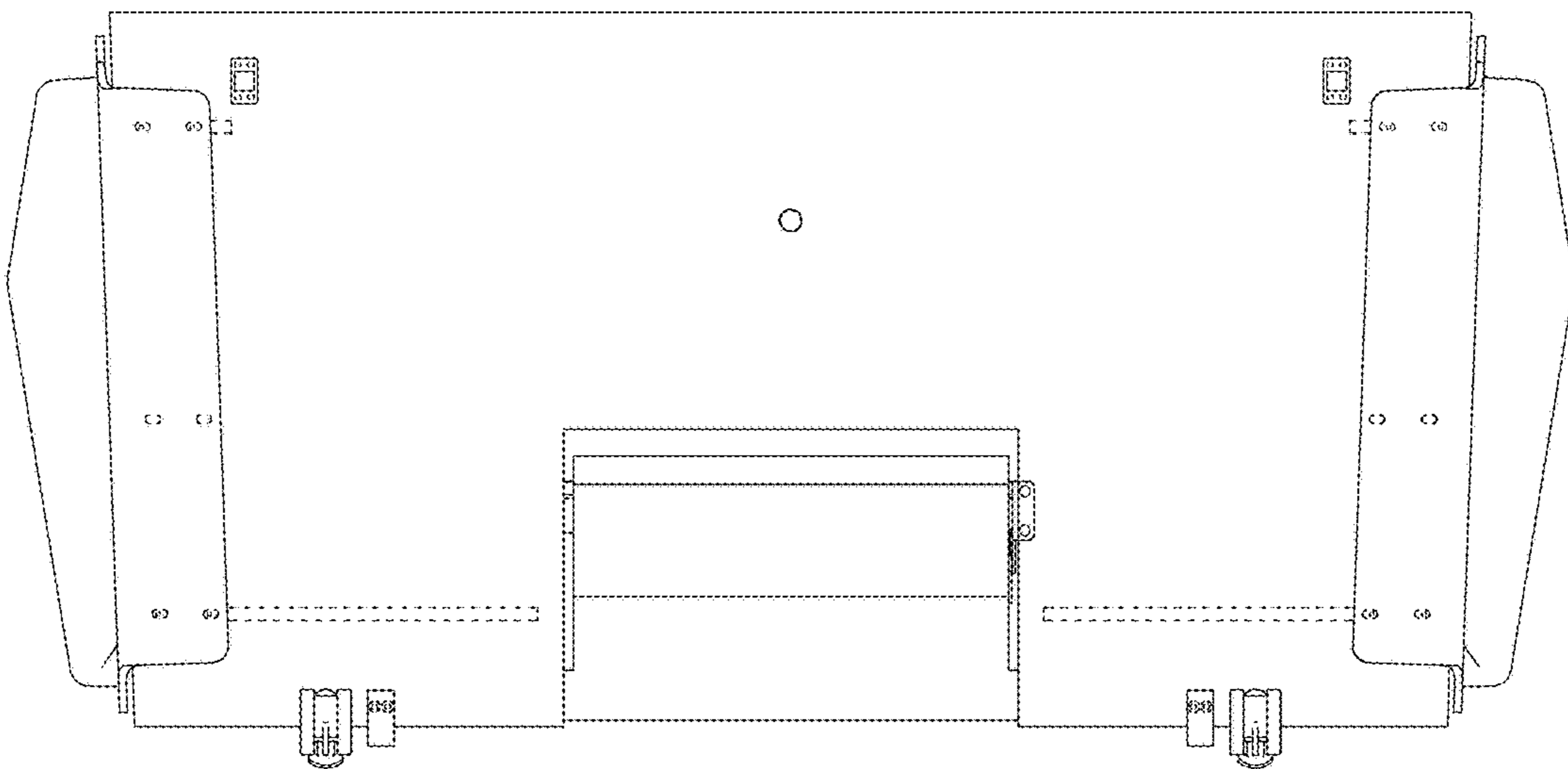


FIG. 6

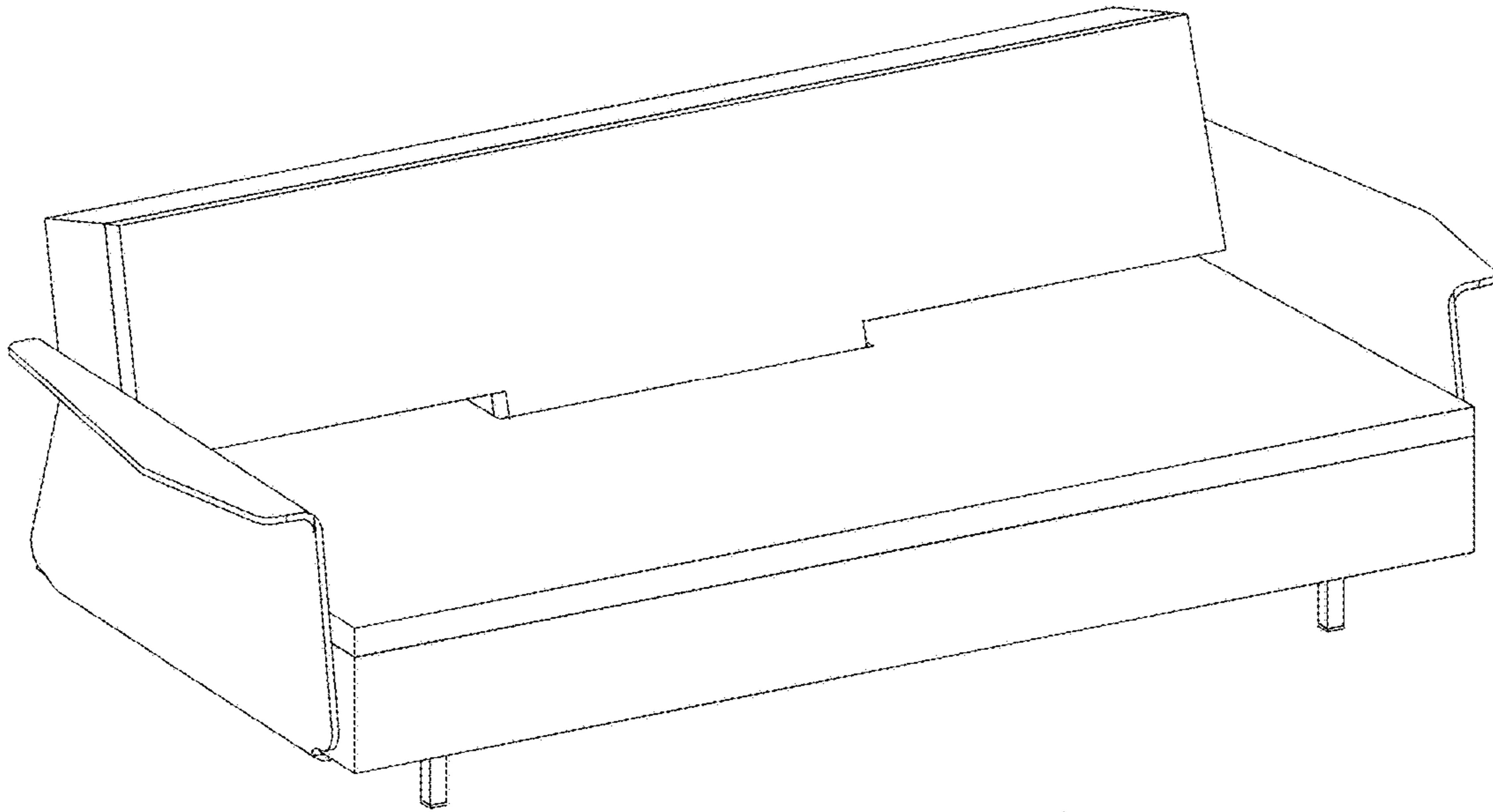


FIG. 7

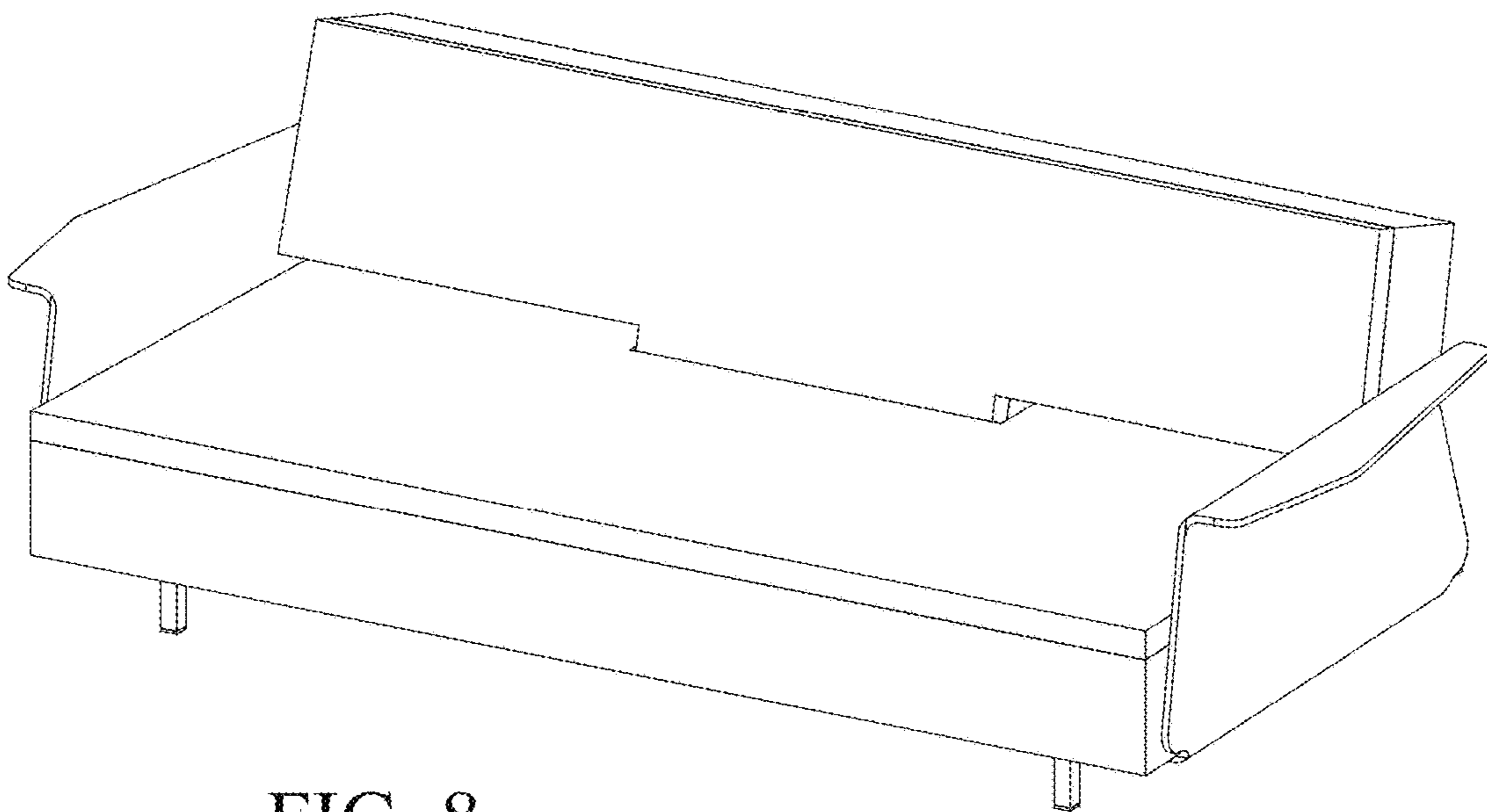


FIG. 8

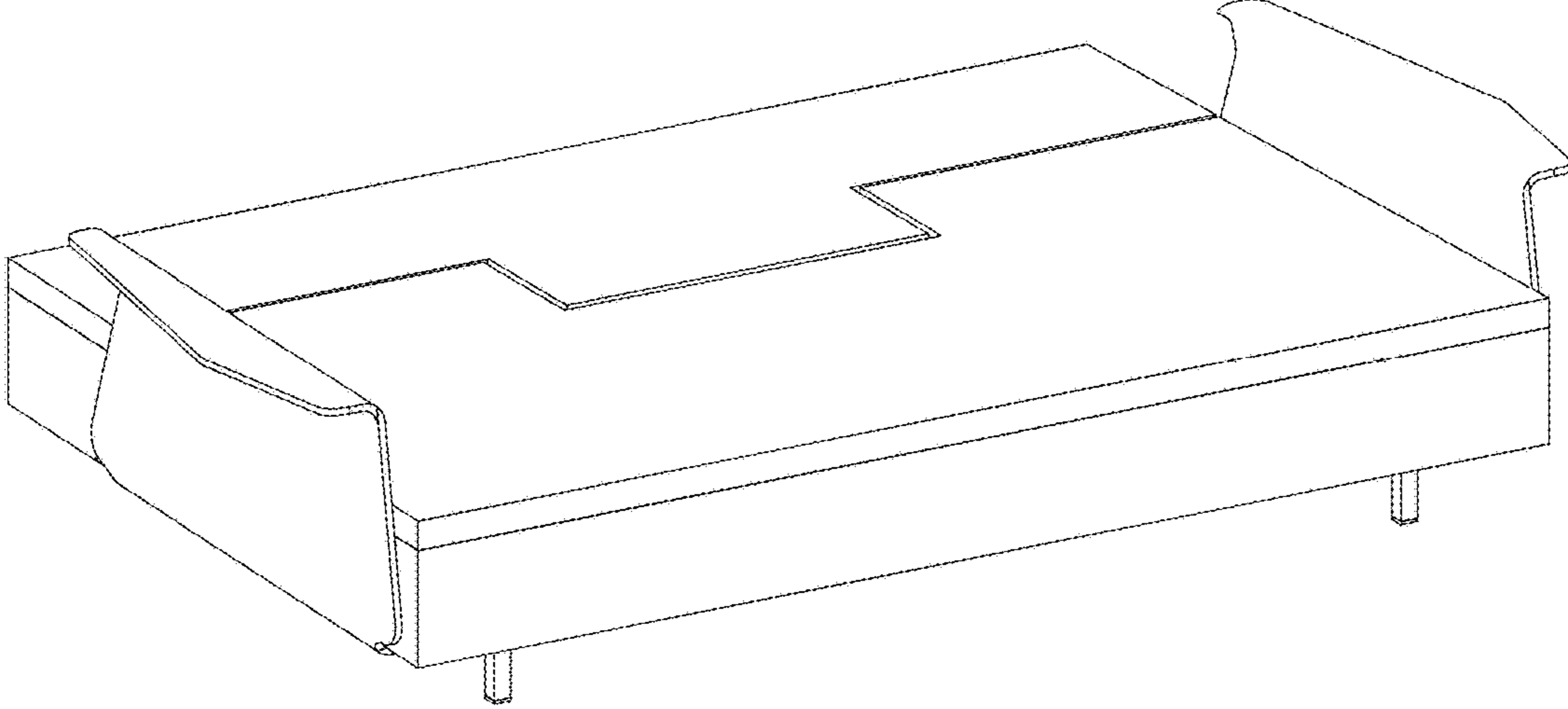


FIG. 9

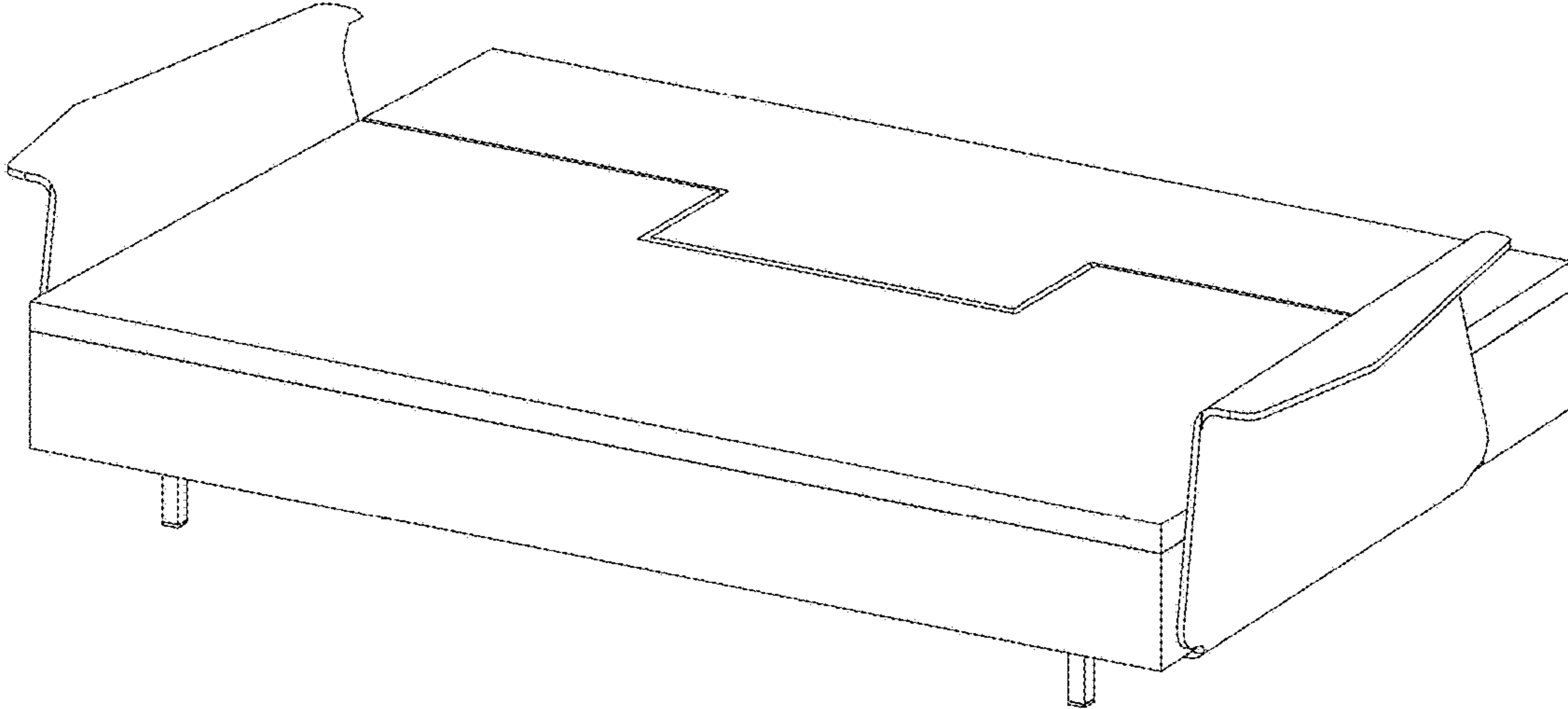


FIG. 10