



US00D822398S

(12) **United States Design Patent**
Zhuang

(10) **Patent No.:** **US D822,398 S**
(45) **Date of Patent:** **** Jul. 10, 2018**

(54) **BUNGEE CHAIR**
(71) Applicant: **Nanjing Kekang Outdoor Products Co., Ltd.**, Nanjing, Jiangsu Province (CN)
(72) Inventor: **Min Zhuang**, Nanjing (CN)
(73) Assignee: **Nanjing Kekang Outdoor Products Co., Ltd.**, Nanjing (CN)
(**) Term: **15 Years**
(21) Appl. No.: **29/571,652**
(22) Filed: **Jul. 20, 2016**

D683,156 S * 5/2013 Christakos D6/368
D710,120 S * 8/2014 Tseng D6/368
D711,130 S * 8/2014 Christakos D6/368
D711,140 S * 8/2014 Christakos D6/368
D711,143 S * 8/2014 Christakos D6/368
D711,149 S * 8/2014 Christakos D6/368
D711,150 S * 8/2014 Christakos D6/368
D711,151 S * 8/2014 Christakos D6/368
D718,546 S * 12/2014 Christakos D6/368
D718,547 S * 12/2014 Christakos D6/368
D718,548 S * 12/2014 Shinall D6/368
D738,640 S * 9/2015 Akkad D6/368
D761,605 S * 7/2016 Akkad D6/368
D782,857 S * 4/2017 Guck D6/368
2007/0187998 A1 * 8/2007 Chen A47C 4/44
297/45
2016/0066695 A1 * 3/2016 Frankel A47C 4/00
297/313

(30) **Foreign Application Priority Data**

Apr. 19, 2016 (CN) 2016 3 0131911

(51) **LOC (11) Cl.** **06-01**

(52) **U.S. Cl.**
USPC **D6/368**

(58) **Field of Classification Search**
USPC D6/334, 344, 348, 368-371, 373, 381, D6/708, 364; D12/52, 316; D21/521, D21/534-539, 674, 676, 687, 688, 690, D21/699, 693, 701, 705, 723-725, 828; D29/124
CPC A47D 13/10; A47G 9/086; A47G 9/08; A47C 7/28; A47C 7/282; A47C 4/00; A47C 4/54; A47C 4/03; A47C 4/04; A47C 4/44; A47C 15/006; A47C 1/02; A47C 3/16; A47C 3/029; A47C 3/027; A47C 3/02; A41D 2400/10; A41D 1/02; A45F 3/22
See application file for complete search history.

(56) **References Cited**

U.S. PATENT DOCUMENTS

D555,217 S * 11/2007 Yu D21/701
D677,920 S * 3/2013 Christakos D6/368

* cited by examiner

Primary Examiner — Kevin K Rudzinski

Assistant Examiner — Paul D Bohannon

(74) *Attorney, Agent, or Firm* — Bay State IP, LLC

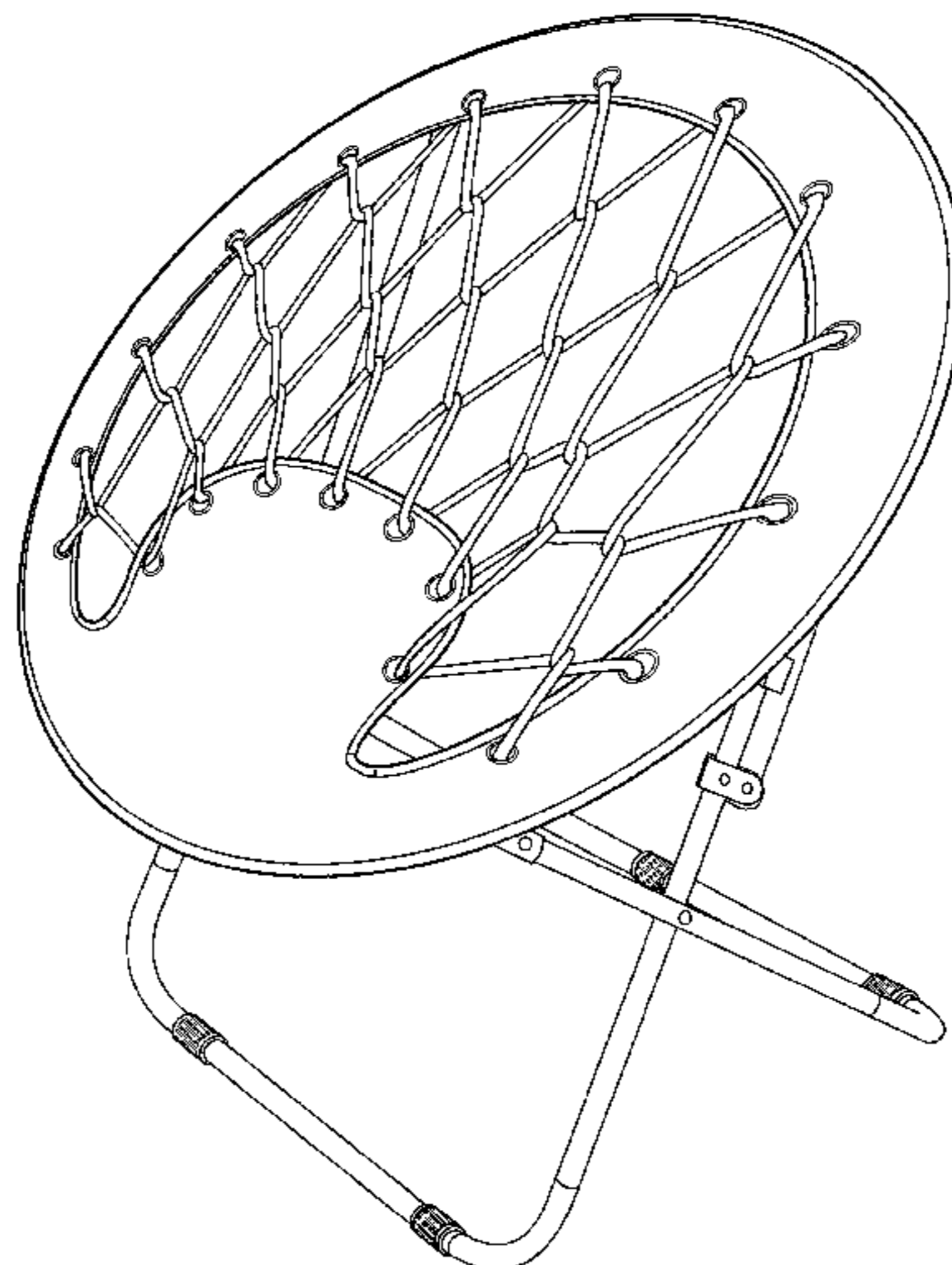
(57) **CLAIM**

The ornamental design for a bungee chair, as shown and described.

DESCRIPTION

FIG. 1 is a perspective view of the bungee chair showing my new design;
FIG. 2 is a front view thereof;
FIG. 3 is a rear view thereof;
FIG. 4 is a left view thereof;
FIG. 5 is a right view thereof;
FIG. 6 is a top view thereof; and,
FIG. 7 is a bottom view thereof.

1 Claim, 7 Drawing Sheets



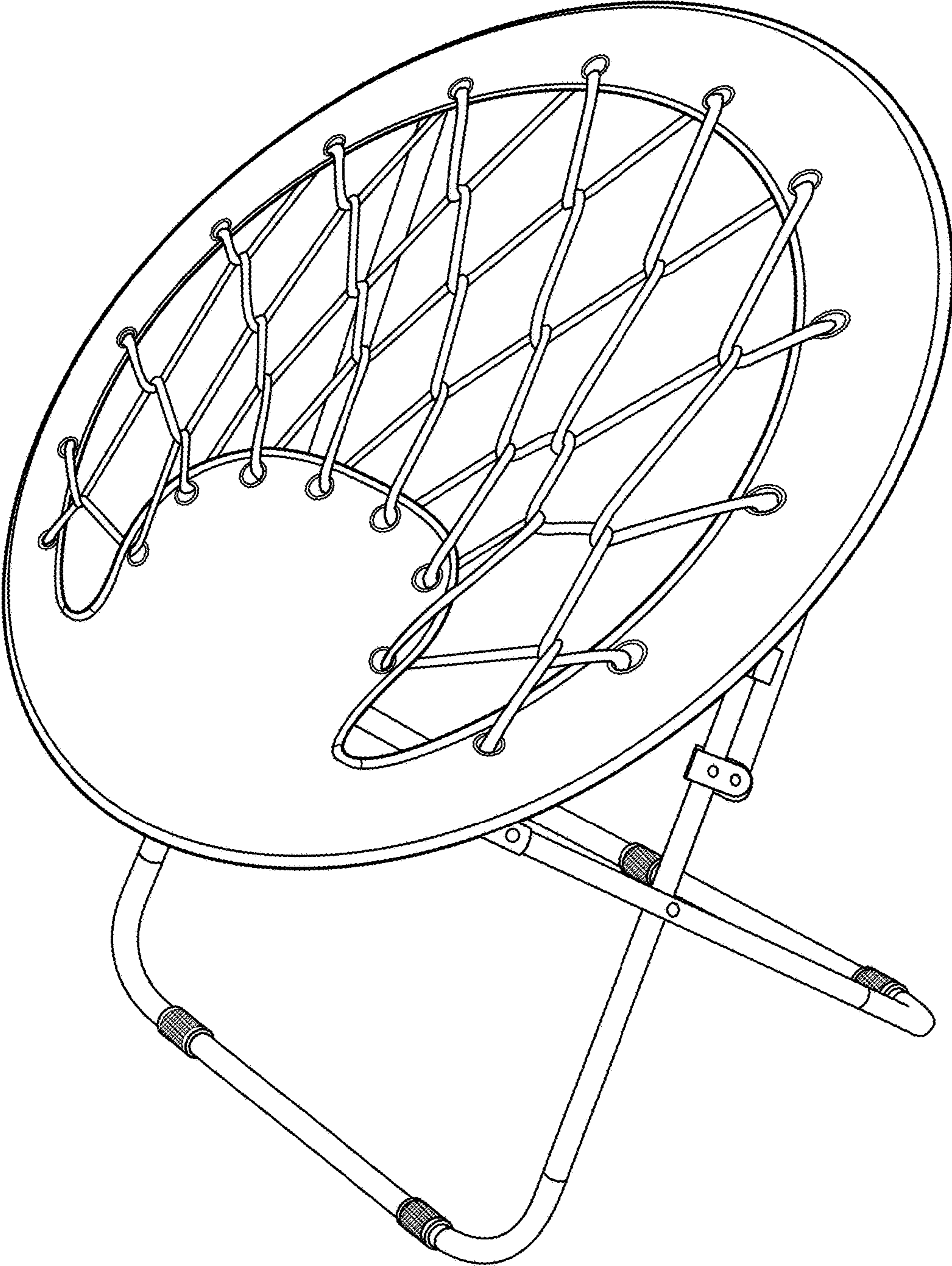


Fig. 1

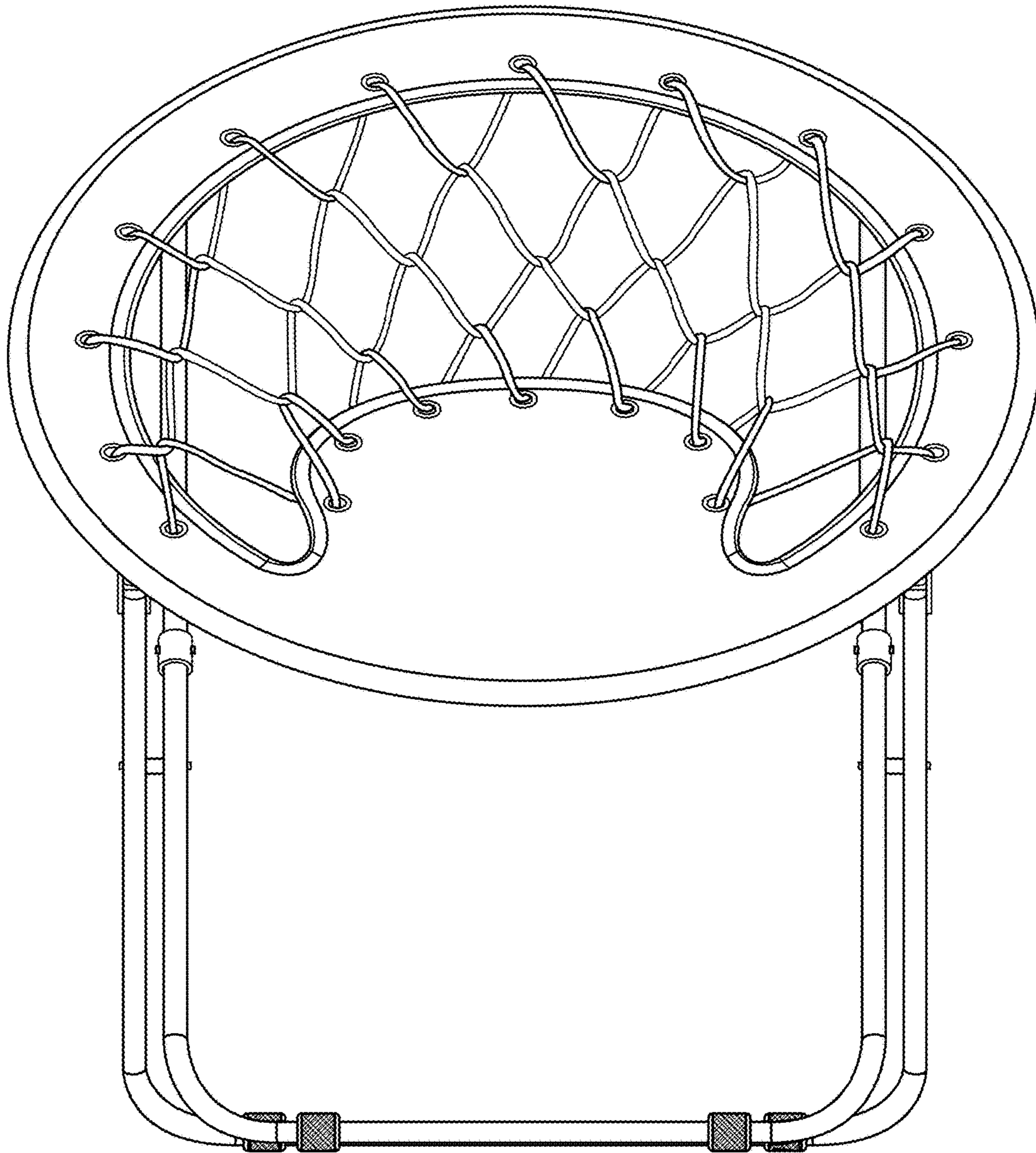


Fig. 2

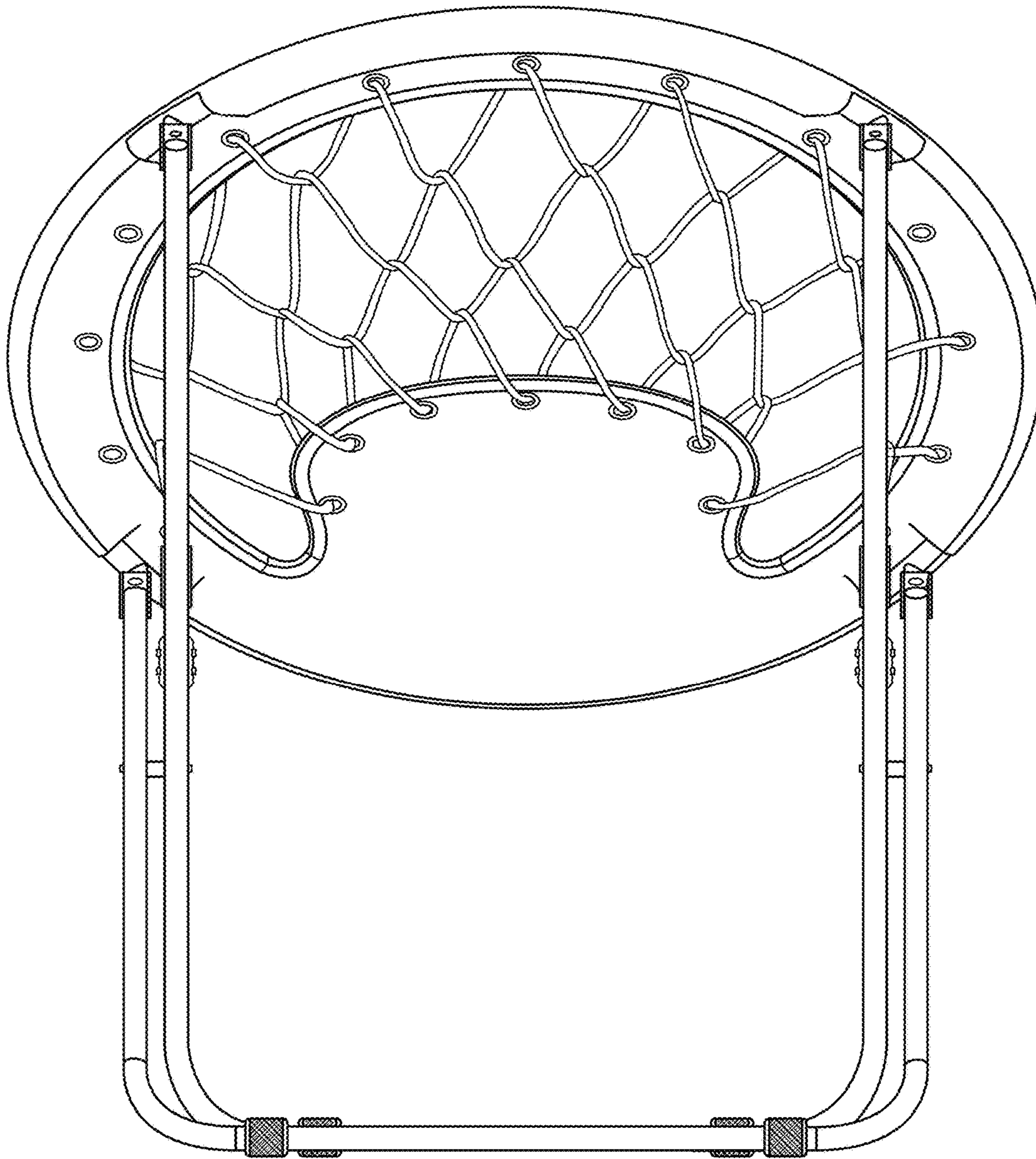


Fig. 3

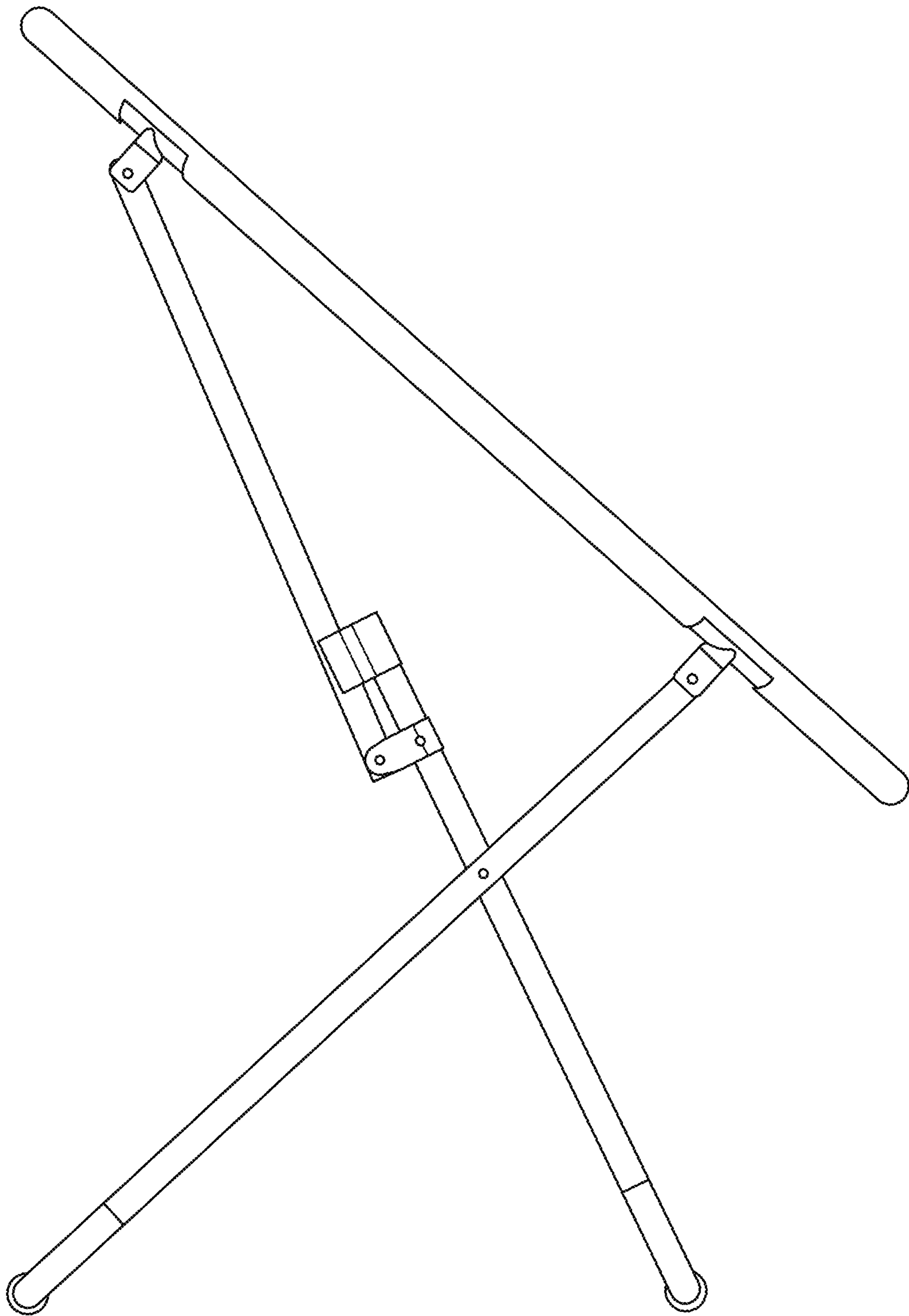


Fig. 4

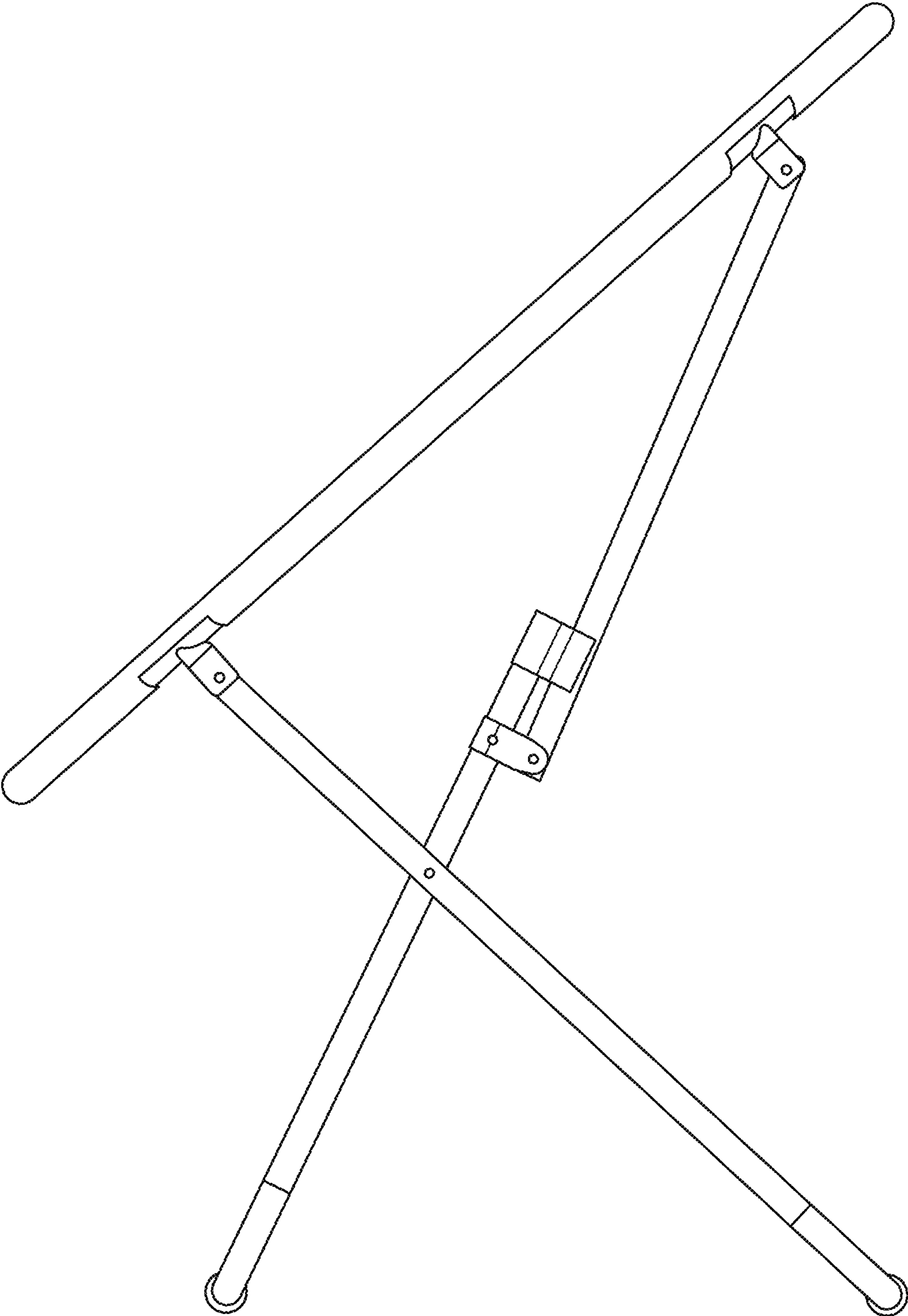


Fig. 5

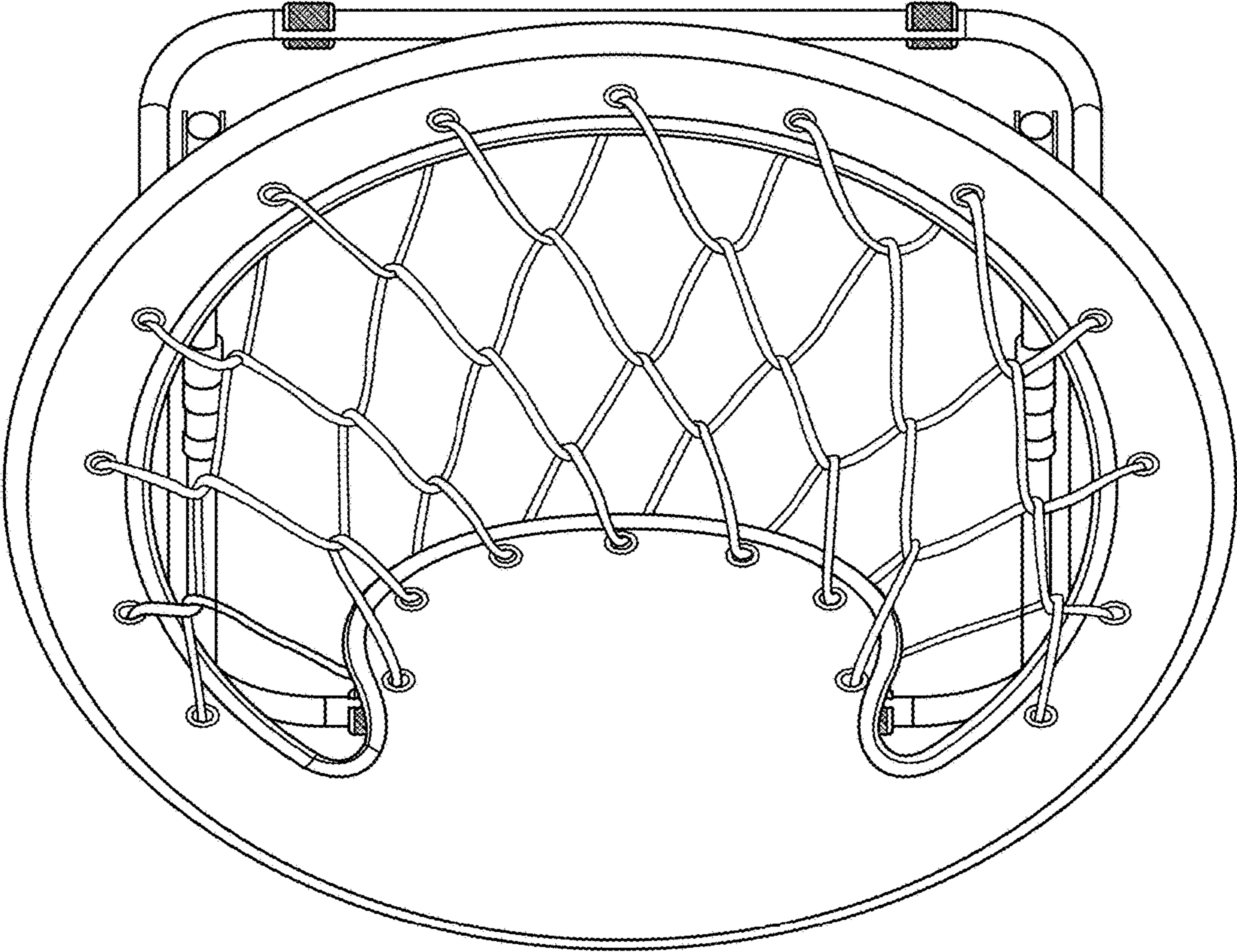


Fig. 6

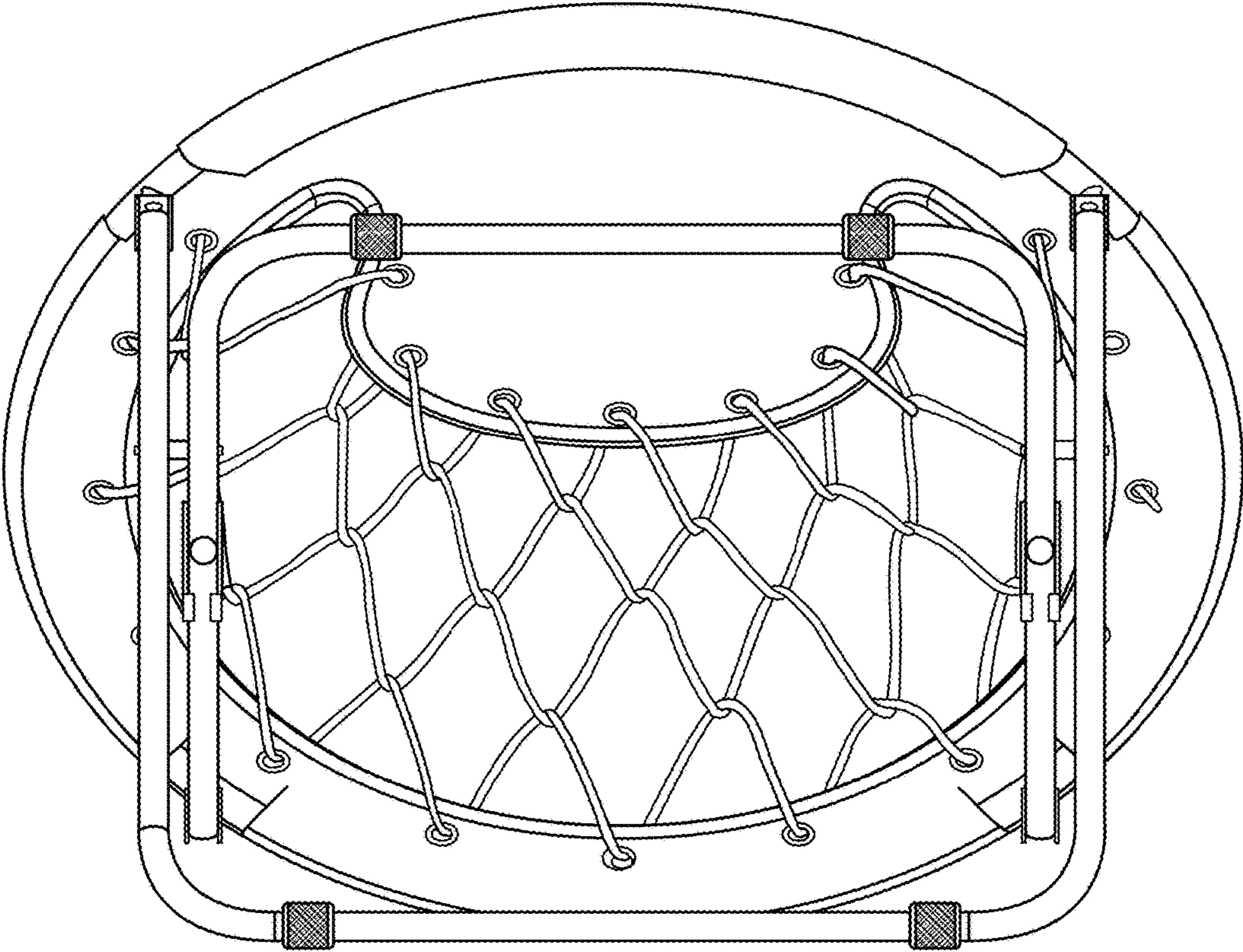


Fig. 7