

US00D822396S

(12) **United States Design Patent**
Pinholster et al.

(10) **Patent No.:** **US D822,396 S**

(45) **Date of Patent:** **** Jul. 10, 2018**

(54) **HANGING CHAIR STAND**

(71) Applicant: **Eagles Nest Outfitters, Inc.**, Asheville, NC (US)

(72) Inventors: **Peter G. Pinholster**, Asheville, NC (US); **Ryan Marc Klinger**, Asheville, NC (US); **James Christian Frinak**, Asheville, NC (US)

(73) Assignee: **Eagles Nest Outfitters, Inc.**, Asheville, NC (US)

(**) Term: **15 Years**

(21) Appl. No.: **29/606,881**

(22) Filed: **Jun. 8, 2017**

(51) **LOC (11) Cl.** **06-01**

(52) **U.S. Cl.**
USPC **D6/347; D6/716**

(58) **Field of Classification Search**
USPC D6/344, 345, 346, 347, 348, 349, 715, D6/716, 718.1, 718.11, 716.1, 385, 386, D6/358, 388, 369, 381
CPC ... A63G 9/00; A63G 9/02; A63G 9/04; A63G 9/14; A47C 3/0255; A47C 5/02
See application file for complete search history.

(56) **References Cited**

U.S. PATENT DOCUMENTS

D522,259 S * 6/2006 Wu D6/347
7,380,880 B2 * 6/2008 Molen A47C 3/0255
248/188.7

D752,351 S * 3/2016 Pan D6/347
D771,962 S * 11/2016 Weng D6/347
D774,786 S * 12/2016 Stoter D6/347
D801,710 S * 11/2017 Weng D6/347
D801,715 S * 11/2017 Stoter D6/361

* cited by examiner

Primary Examiner — Deanna L Pratt

(74) *Attorney, Agent, or Firm* — Schwartz Law Firm, P.C.

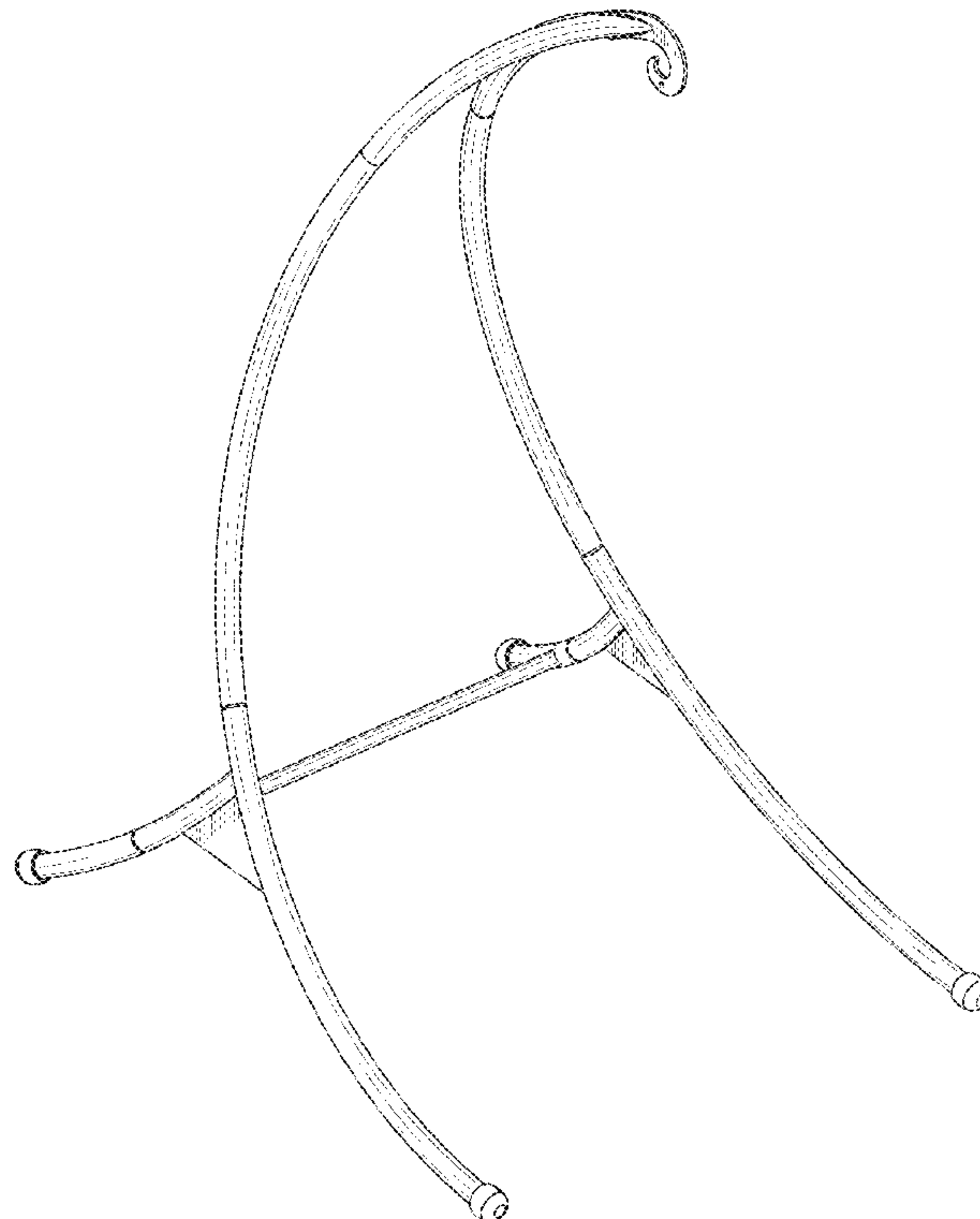
(57) **CLAIM**

We claim the ornamental design for a hanging chair stand, as shown and described.

DESCRIPTION

FIG. 1 is a front perspective view of the hanging chair stand with a hanging chair shown in broken-lines, the hanging chair forming no part of the claimed design;
FIG. 2 is a second front perspective view of the hanging chair stand;
FIG. 3 is a third front perspective view of the hanging chair stand;
FIG. 4 is a rear perspective view of the hanging chair stand;
FIG. 5 is a side view of the hanging chair stand;
FIG. 6 is a front view of the hanging chair stand;
FIG. 7 is a rear view of the hanging chair stand;
FIG. 8 is a top view of the hanging chair stand; and,
FIG. 9 is a bottom view of the hanging chair stand.

1 Claim, 7 Drawing Sheets



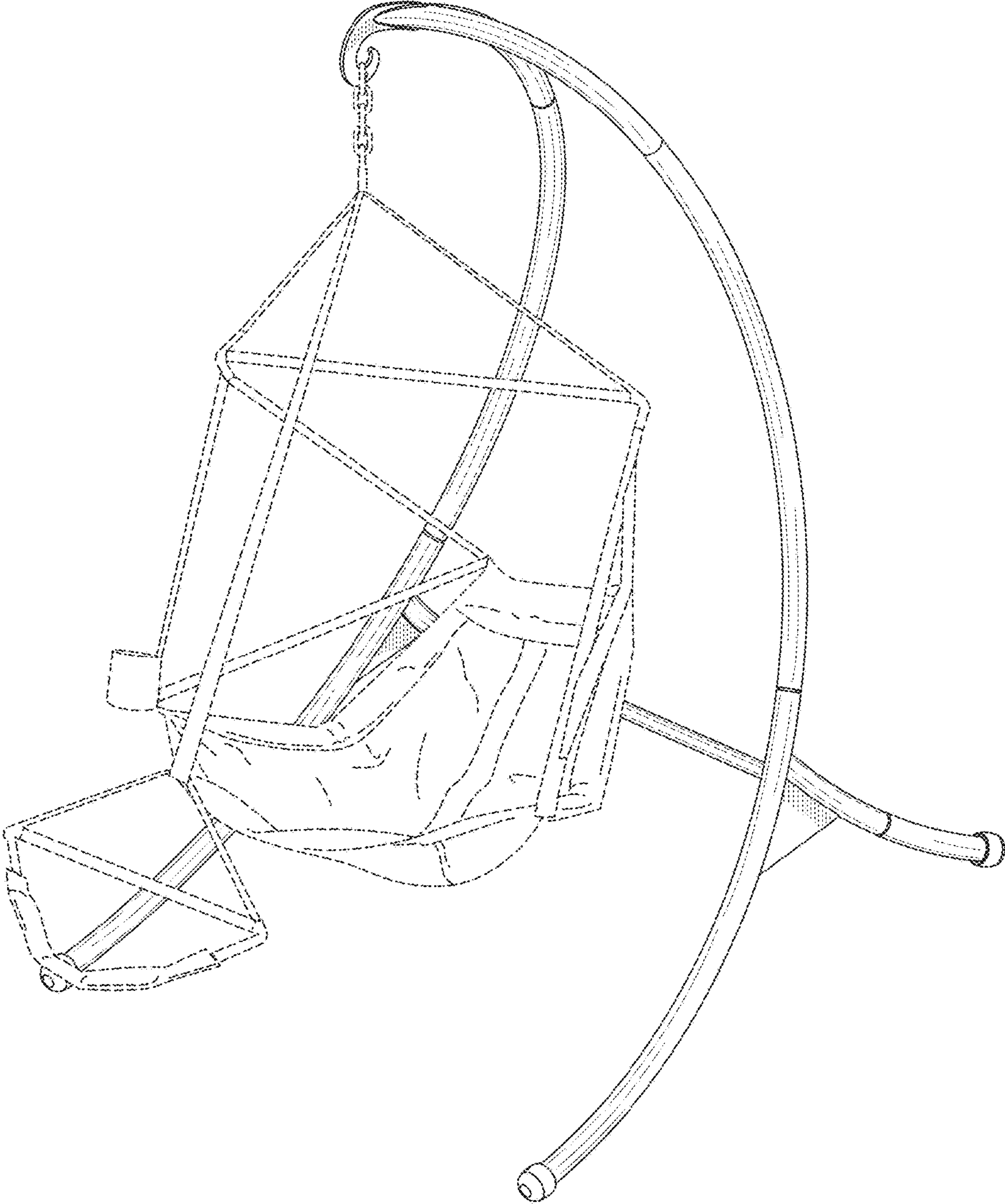


FIG. 1

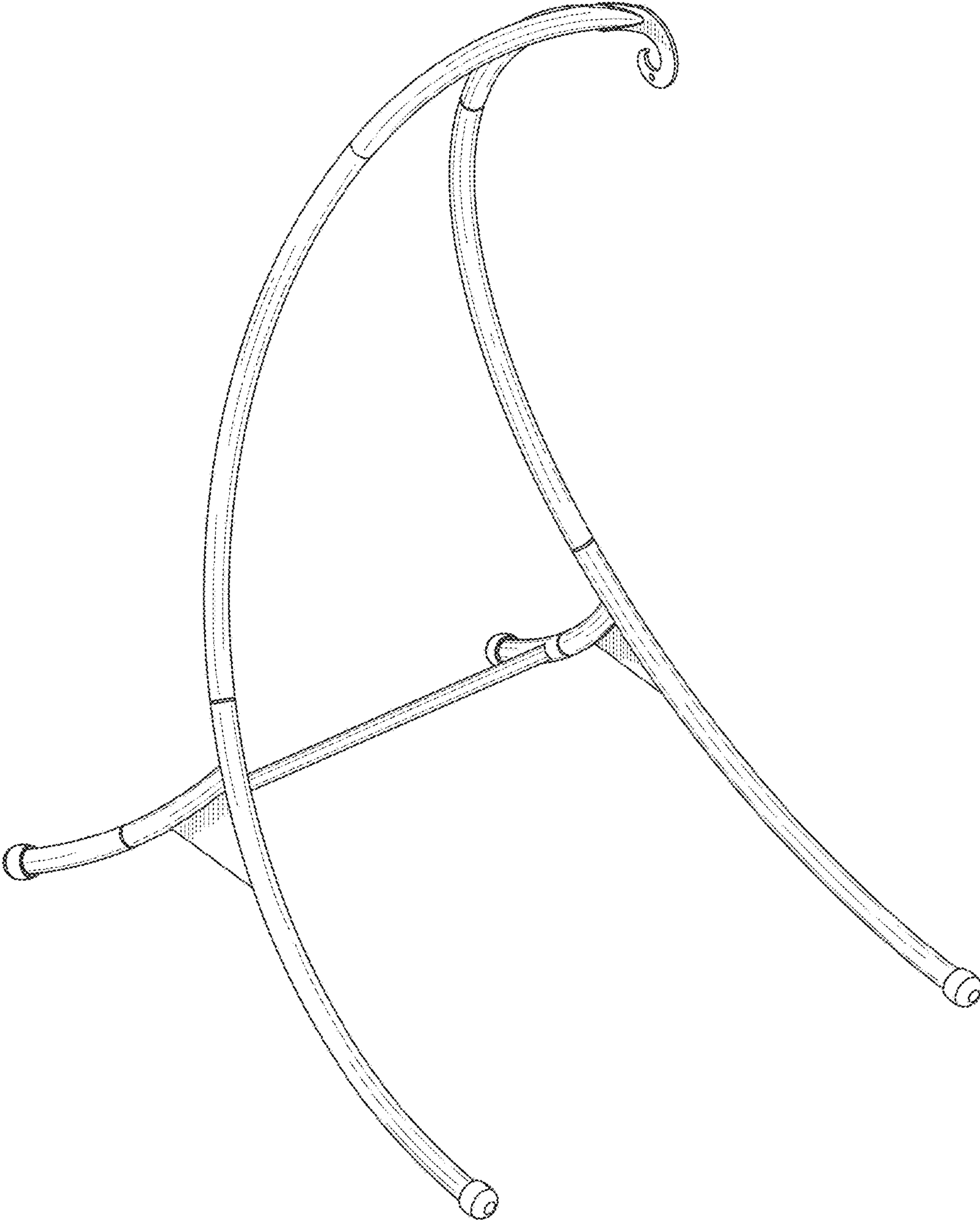


FIG. 2

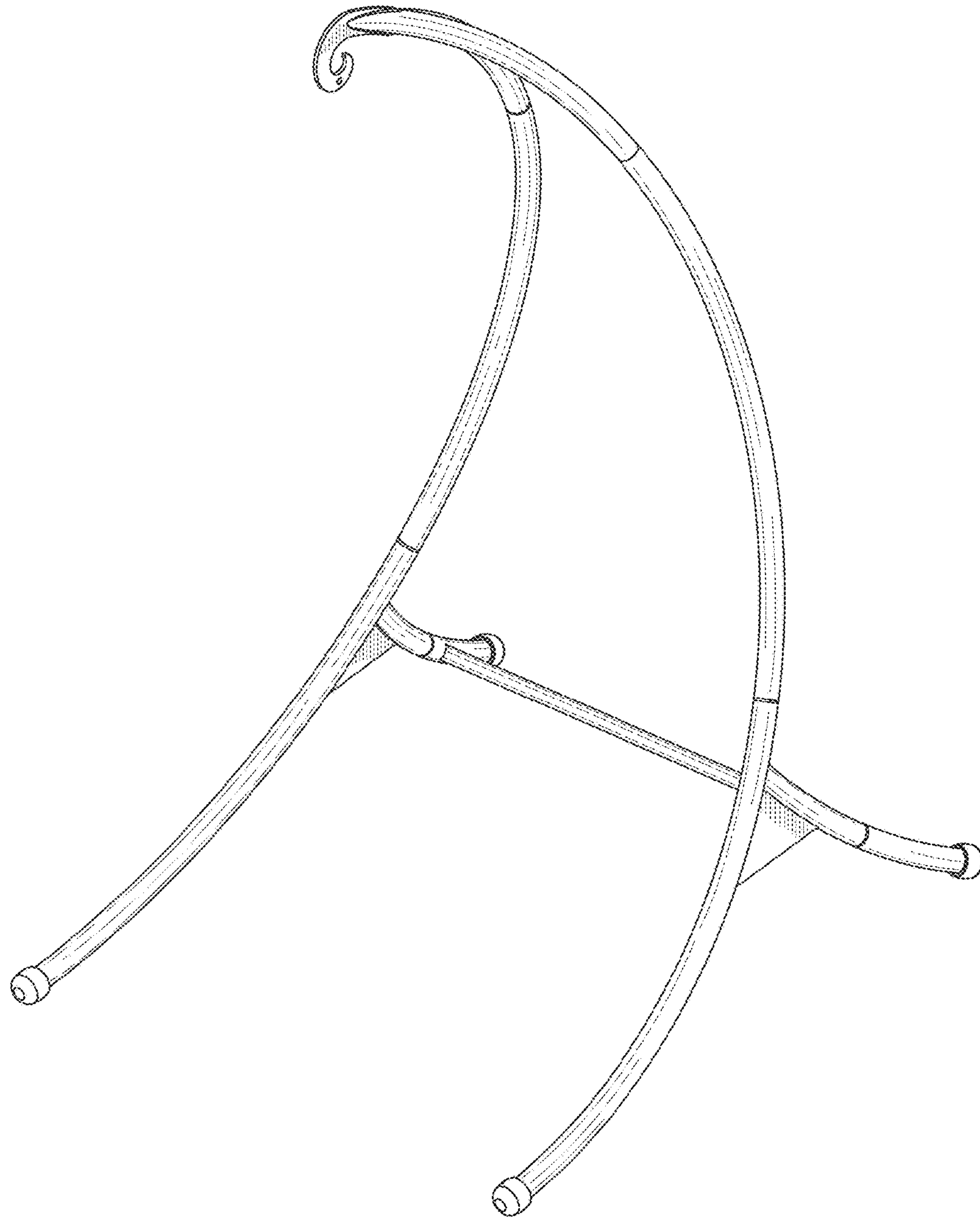


FIG. 3

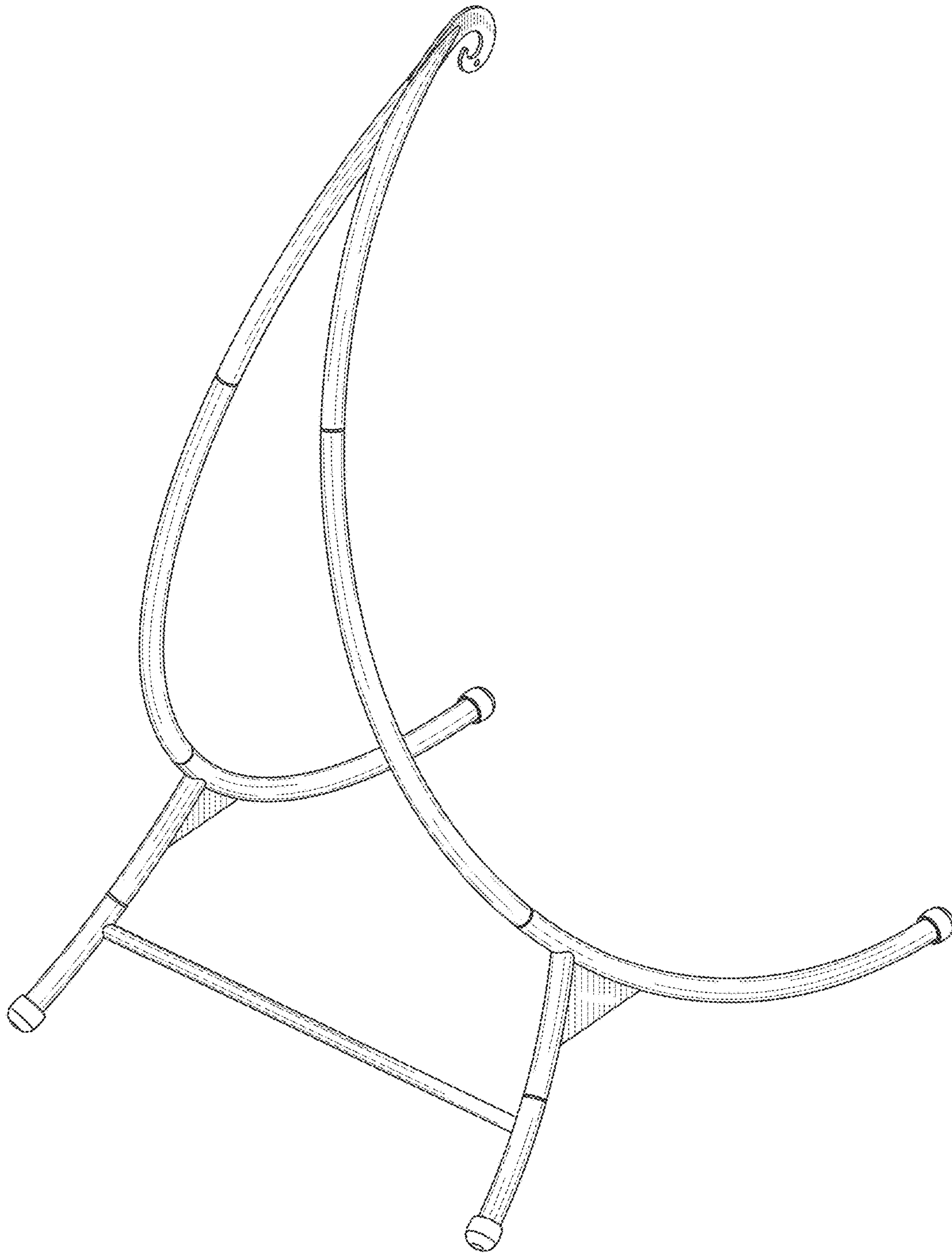


FIG. 4

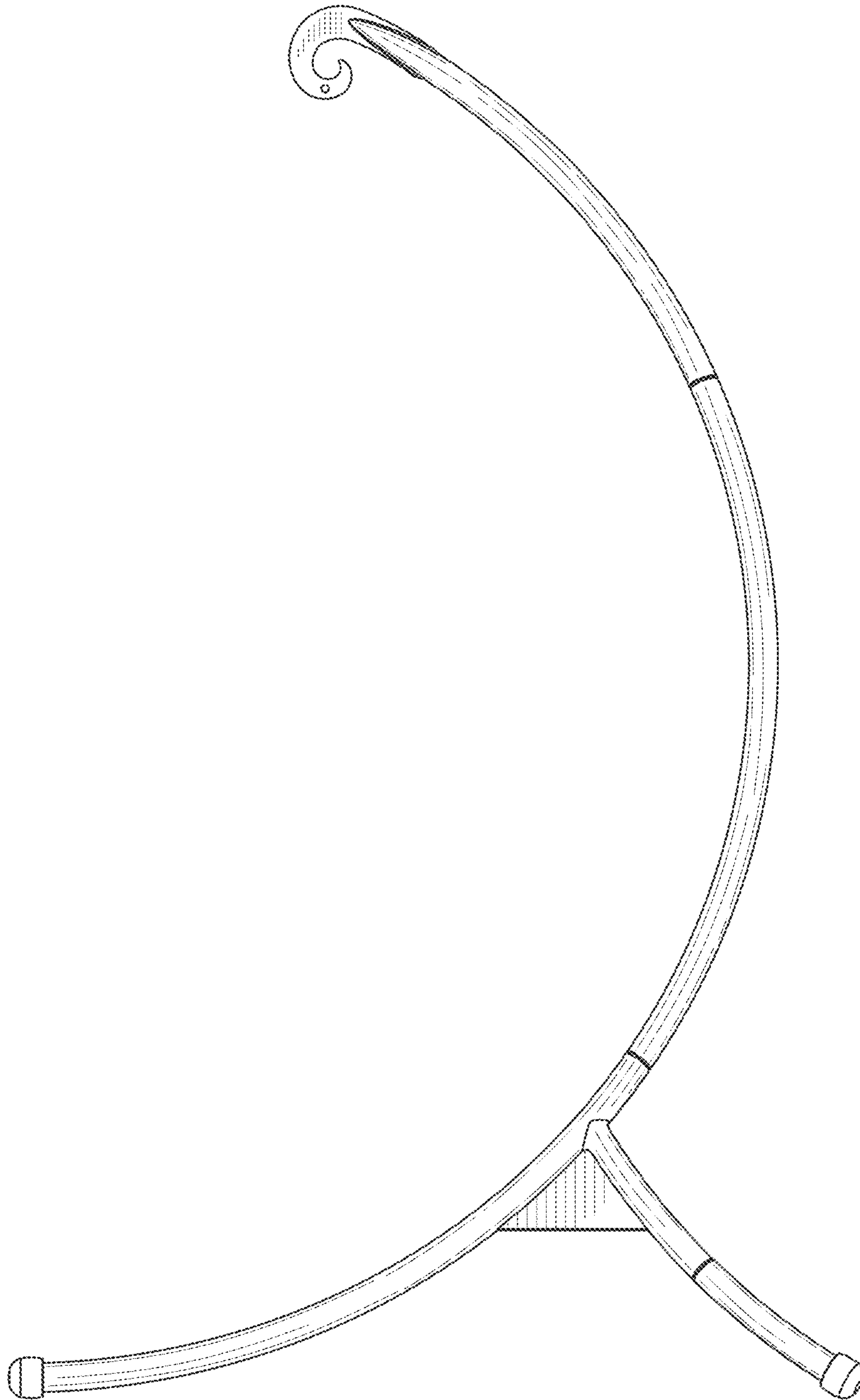


FIG. 5

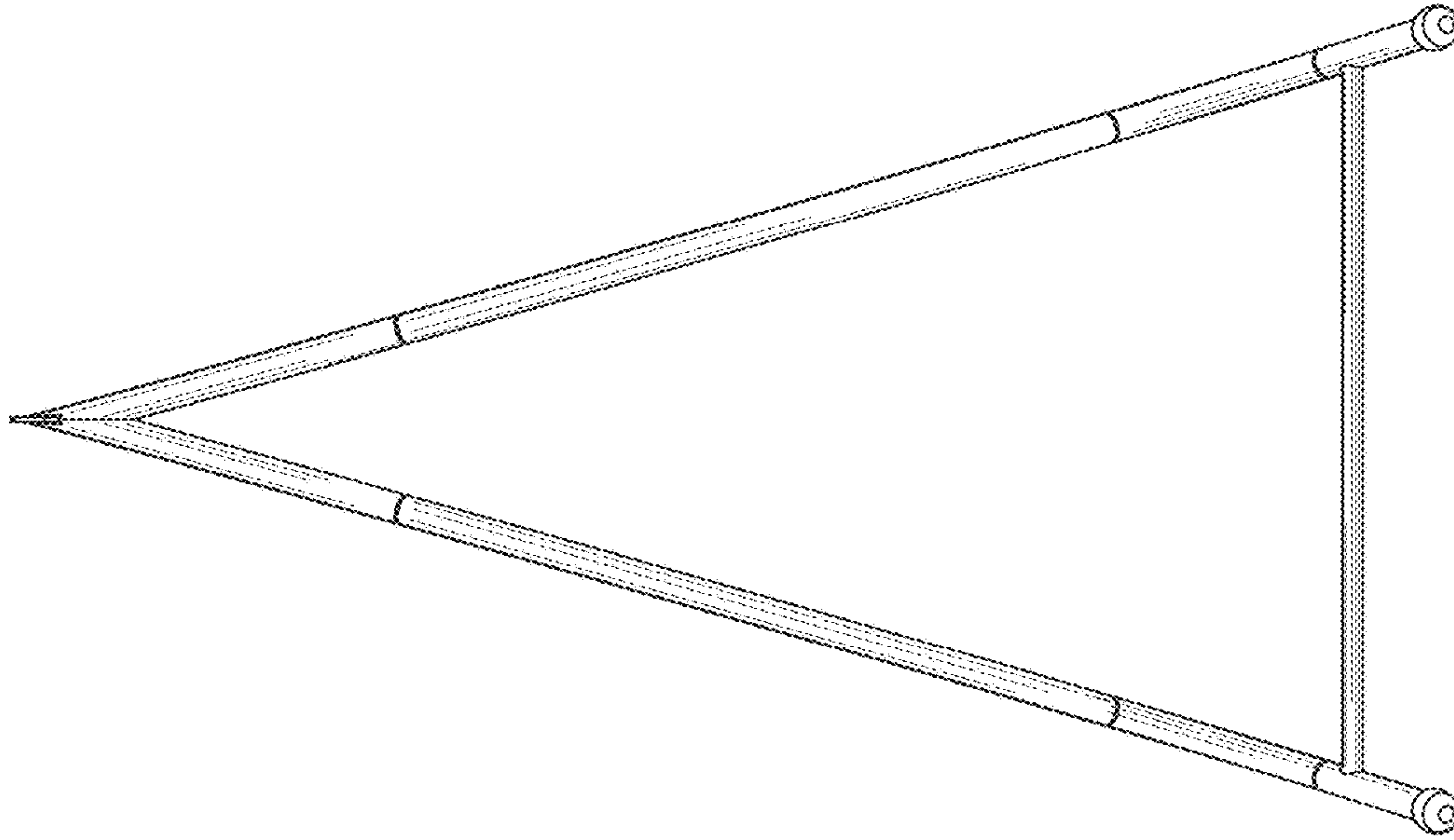


FIG. 7

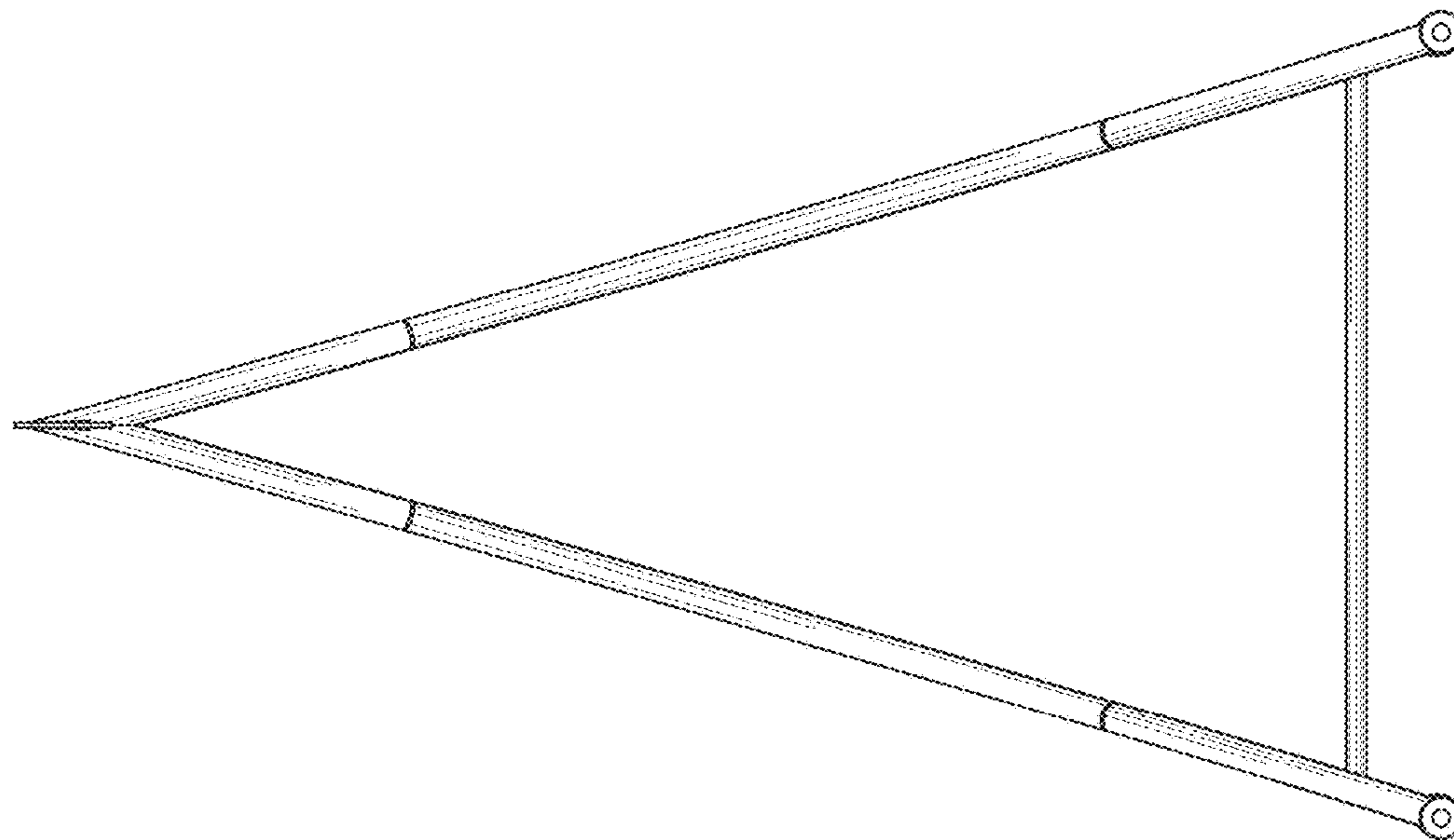


FIG. 6

FIG. 8

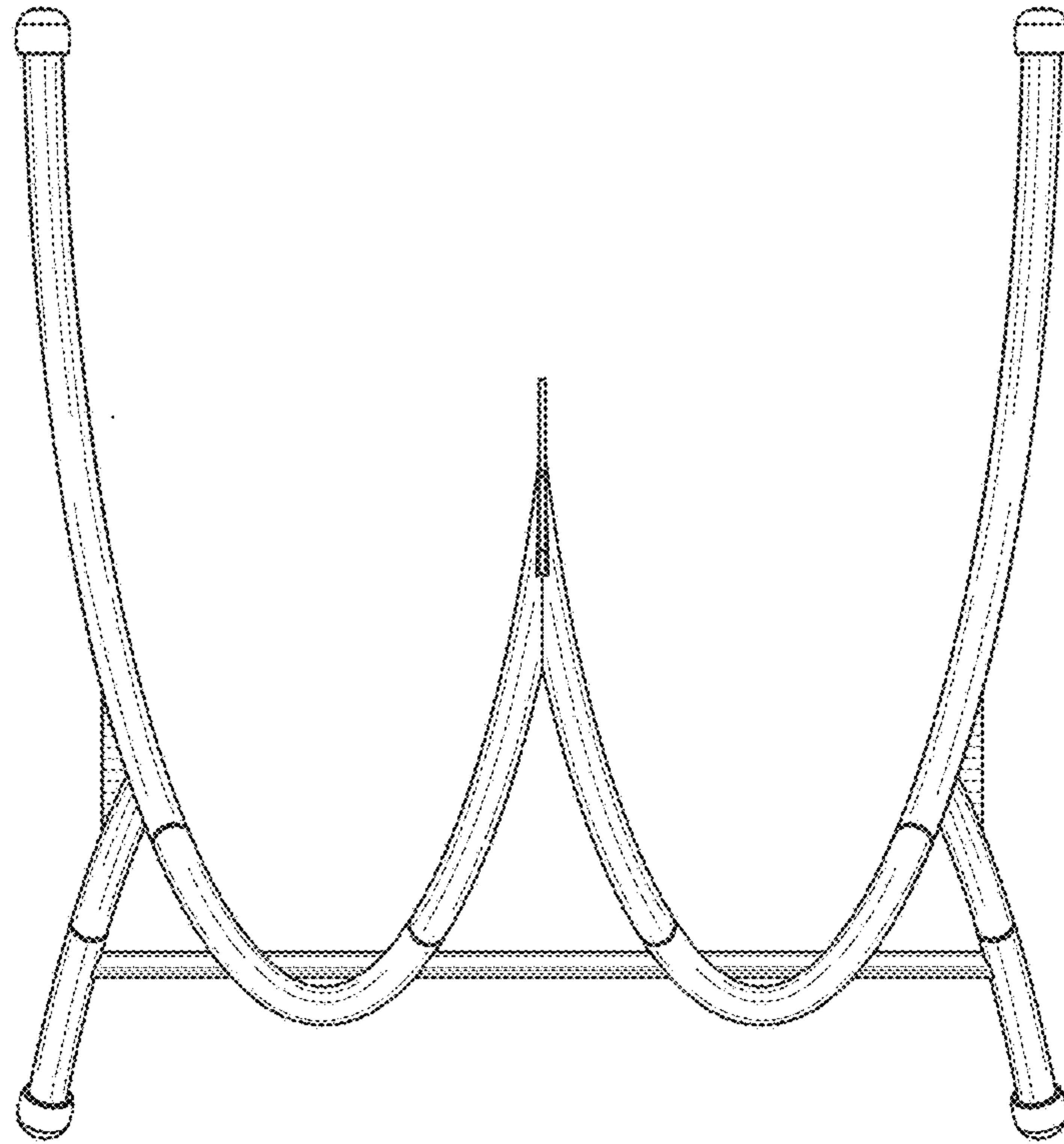


FIG. 9

