



US00D822394S

(12) **United States Design Patent**
Chin

(10) **Patent No.:** **US D822,394 S**
(45) **Date of Patent:** **** Jul. 10, 2018**

- (54) **YARN**
- (71) Applicant: **Guey N Chin**, Florham Park, NJ (US)
- (72) Inventor: **Guey N Chin**, Florham Park, NJ (US)
- (**) Term: **15 Years**
- (21) Appl. No.: **29/544,579**
- (22) Filed: **Nov. 4, 2015**
- (30) **Foreign Application Priority Data**
 - May 6, 2015 (TW) 104302379
- (51) **LOC (11) Cl.** **05-06**
- (52) **U.S. Cl.**
USPC **D5/99**
- (58) **Field of Classification Search**
USPC D5/3, 4, 7, 8, 18, 19, 43, 45, 57, 60, 61,
D5/63, 99
CPC B44F 3/00; B44F 7/00; D03D 3/00; D03D
9/00; D02G 3/22; A01D 34/46
See application file for complete search history.

- (56) **References Cited**
 - U.S. PATENT DOCUMENTS
 - D32,542 S * 4/1900 Tyler et al. 152/320
 - D33,272 S * 9/1900 Kirberg et al. D5/7
 - 3,109,278 A * 11/1963 Gibson, Jr. D01D 5/253
428/397
 - 3,220,173 A * 11/1965 Pitzl D02G 3/22
139/426 R
 - 3,226,795 A * 1/1966 Swerdloff D02G 1/12
131/339
 - 3,439,489 A * 4/1969 Holton D02G 3/22
264/167
 - 3,700,544 A * 10/1972 Matsui et al. D01D 5/34
264/177.13
 - 4,186,239 A * 1/1980 Mize A01D 34/4168
30/276

- 4,245,001 A * 1/1981 Phillips D01D 5/253
428/364
- 4,332,761 A * 6/1982 Phillips D01D 5/253
264/103
- 5,154,908 A * 10/1992 Edie D01D 5/253
264/29.2
- 5,208,106 A * 5/1993 Tung D01D 5/253
428/357
- 5,361,808 A * 11/1994 Bowen, Jr. D03D 15/00
139/383 A
- 5,458,963 A * 10/1995 Meirowitz A61F 13/53708
428/221
- 5,462,802 A * 10/1995 Mikoshiba D01D 5/24
428/376
- 5,486,417 A * 1/1996 Hagen D01D 5/082
428/357

(Continued)

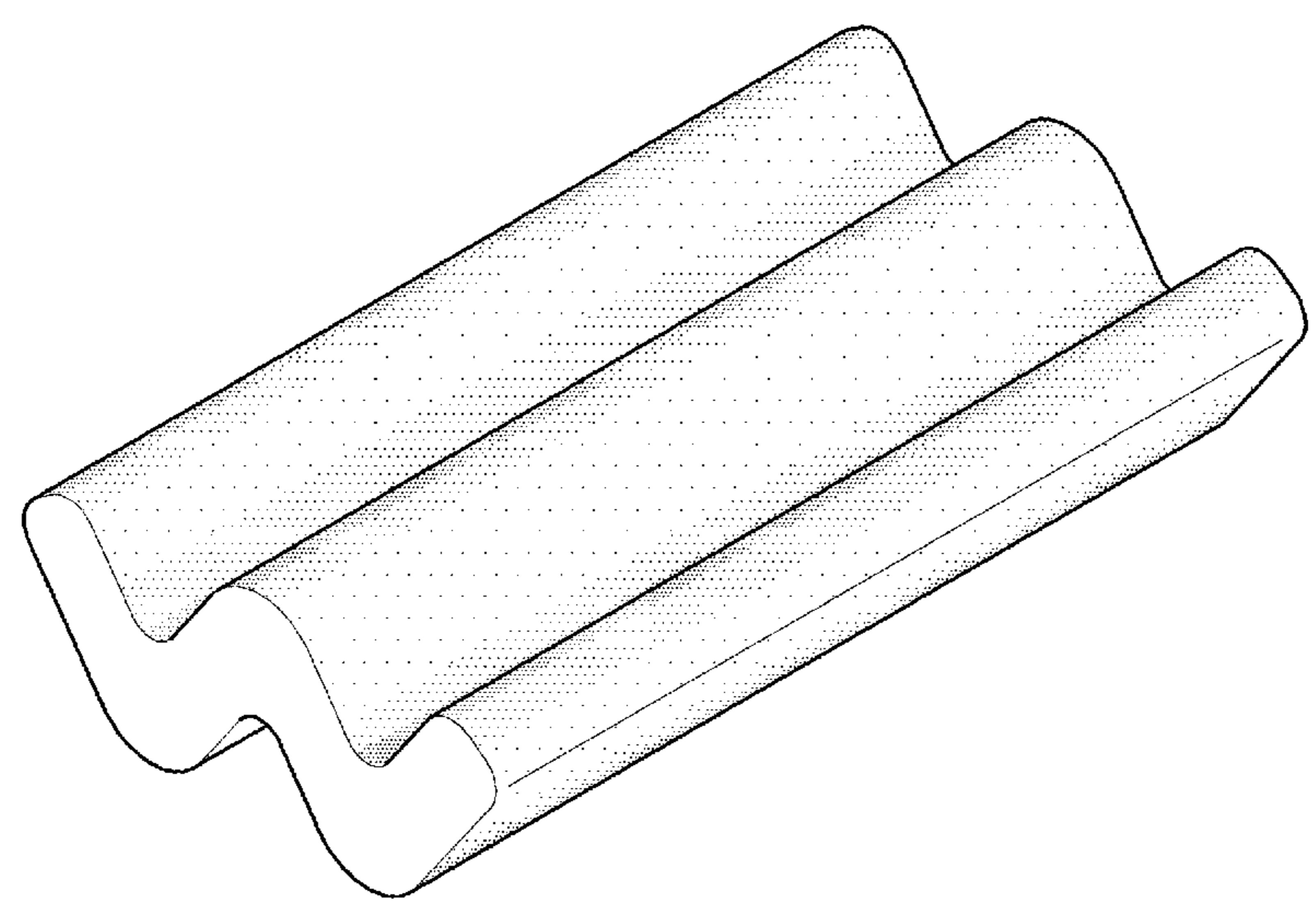
Primary Examiner — John Windmuller
Assistant Examiner — Steven J Czyn
(74) *Attorney, Agent, or Firm* — Guice Patents PLLC

(57) **CLAIM**
The ornamental design for a yarn, as shown and described.

DESCRIPTION

FIG. 1 is a perspective view of a yarn, showing my new design;
FIG. 2 is a front elevation view thereof;
FIG. 3 is a rear elevation view thereof;
FIG. 4 is a left side elevation view thereof;
FIG. 5 is a right side elevation view thereof;
FIG. 6 is a top plan view thereof;
FIG. 7 is a bottom plan view thereof; and,
FIG. 8 is another front elevation view of the yarn, shown in use for ease of disclosure.
The broken lines showing portions of a yarn is included for the purpose of illustrating environmental structure and forms no part of the claimed design.

1 Claim, 6 Drawing Sheets



(56)

References Cited

U.S. PATENT DOCUMENTS

5,904,982 A *	5/1999	Kent	D01D 5/24	428/373	8,043,689 B2 *	10/2011	Weiser	A01G 13/0268	28/163
5,998,310 A *	12/1999	Bowen, Jr.	D21F 1/0027	139/383 A	D648,942 S *	11/2011	Sencopur	D5/19	
6,458,726 B1 *	10/2002	Harrington	D01D 5/24	428/373	D774,573 S *	12/2016	Sharivker	D15/139	
D474,614 S *	5/2003	Schwartz	D5/99		2003/0119403 A1 *	6/2003	Willis	D01F 8/14	442/337
6,583,075 B1 *	6/2003	Dugan	D01F 8/08	428/373	2003/0122107 A1 *	7/2003	Pourdeyhimi	D02G 3/346	252/301.36
D521,252 S *	5/2006	Hou	D02G 3/34	D5/99	2003/0148687 A1 *	8/2003	Korfer	D21F 1/0027	442/304
D535,108 S *	1/2007	Ping Sheng	D5/99		2005/0176326 A1 *	8/2005	Bond	D04H 1/56	442/335
D536,538 S *	2/2007	Ping Sheng	D5/99		2006/0012072 A1 *	1/2006	Hagewood	D01D 4/06	264/176.1
D539,550 S *	4/2007	Ping Sheng	D5/99		2008/0003912 A1 *	1/2008	Pourdeyhimi	B32B 7/02	442/340
D575,068 S *	8/2008	Poo	D5/99		2010/0029161 A1 *	2/2010	Pourdeyhimi	D01D 5/0985	442/329
7,560,159 B2 *	7/2009	Goda	D01D 5/253	428/397	2011/0281057 A1 *	11/2011	Tung	D01D 5/24	428/85
D606,321 S *	12/2009	Sencopur	D5/19		2011/0287210 A1 *	11/2011	Tung	D01D 4/02	428/85
D609,016 S *	2/2010	Sencopur	D5/19		2012/0231207 A1 *	9/2012	Rock	D01D 5/24	428/97
D609,477 S *	2/2010	Leppert	D13/153							
D640,061 S *	6/2011	Wang	D5/8							
D640,065 S *	6/2011	Wang	D5/99							

* cited by examiner

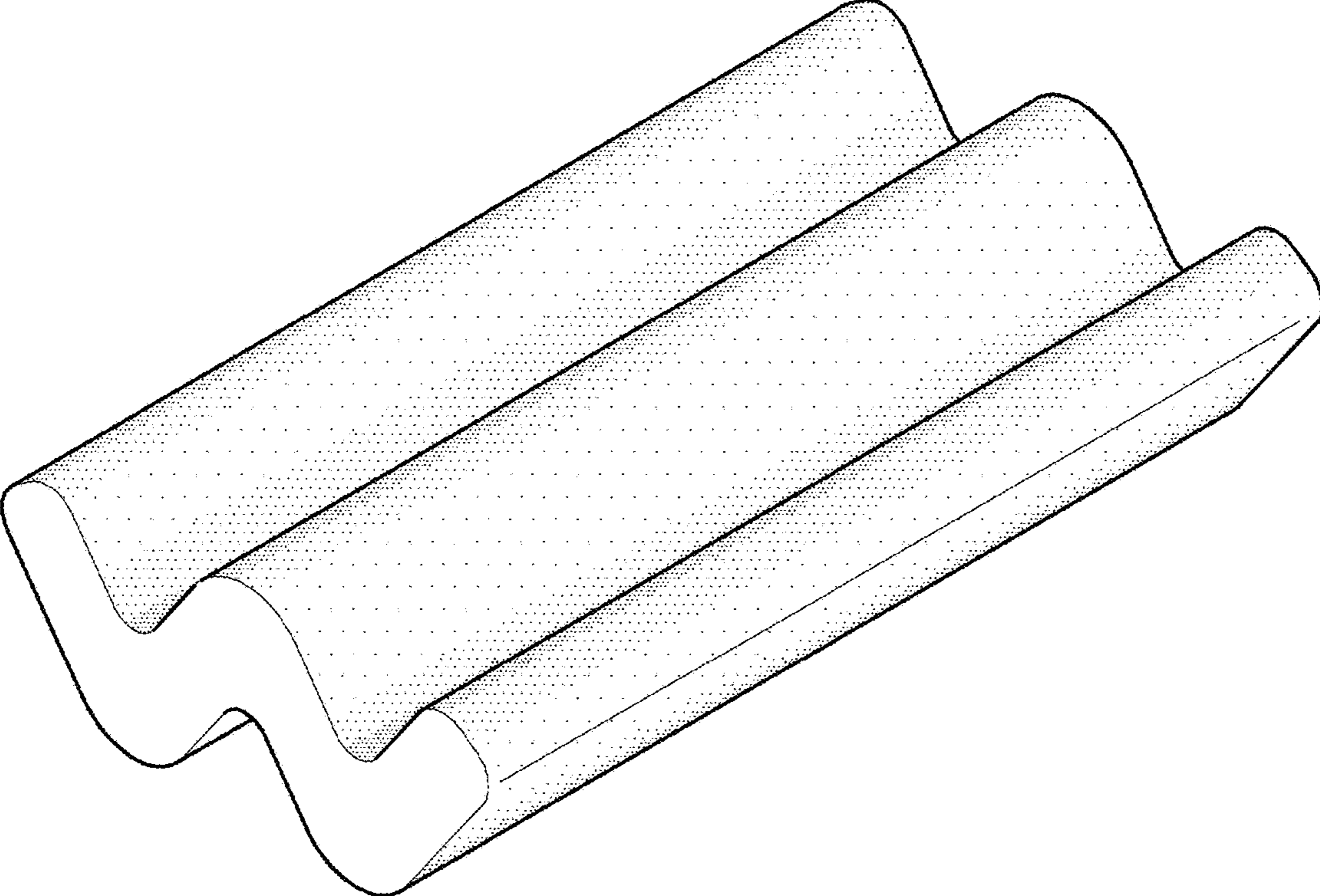


FIG.1

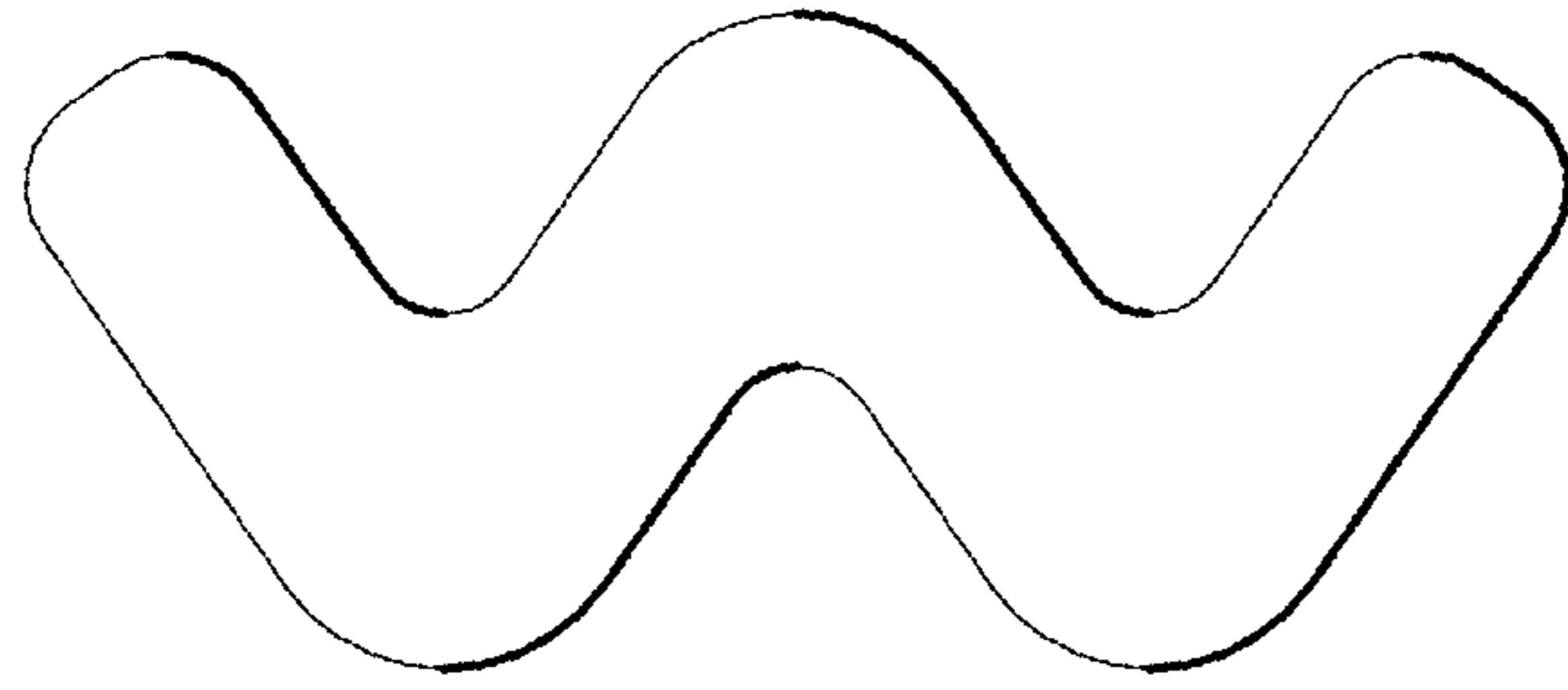


FIG. 2

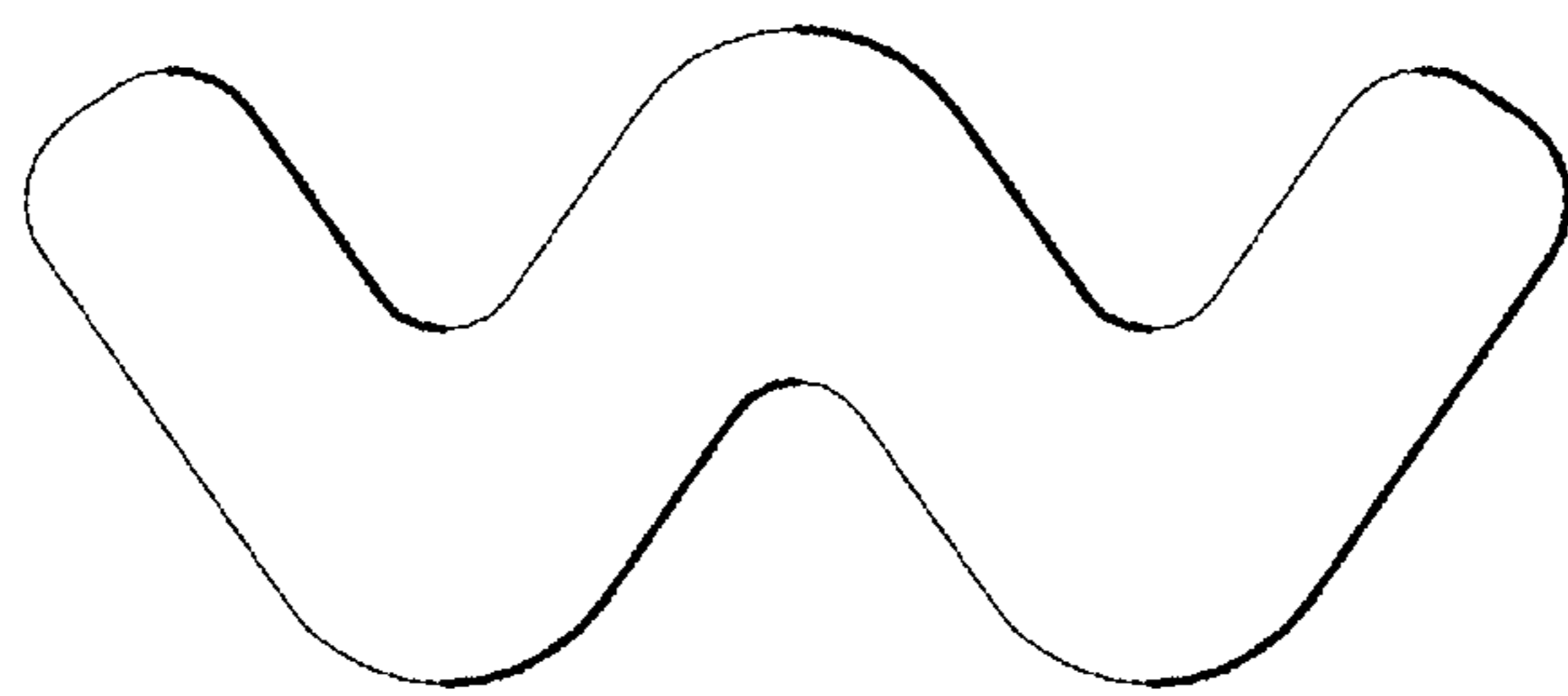


FIG. 3

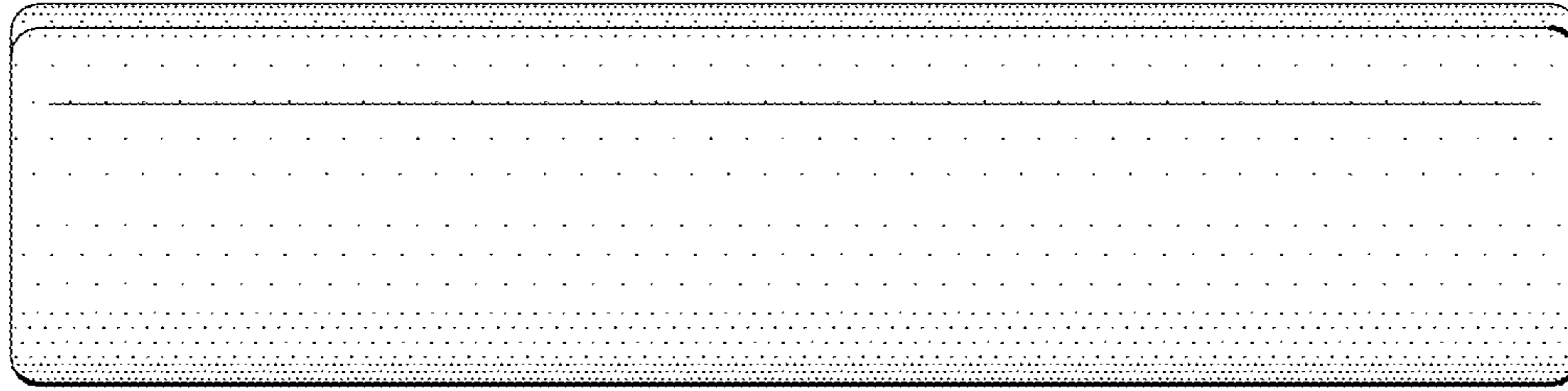


FIG.4

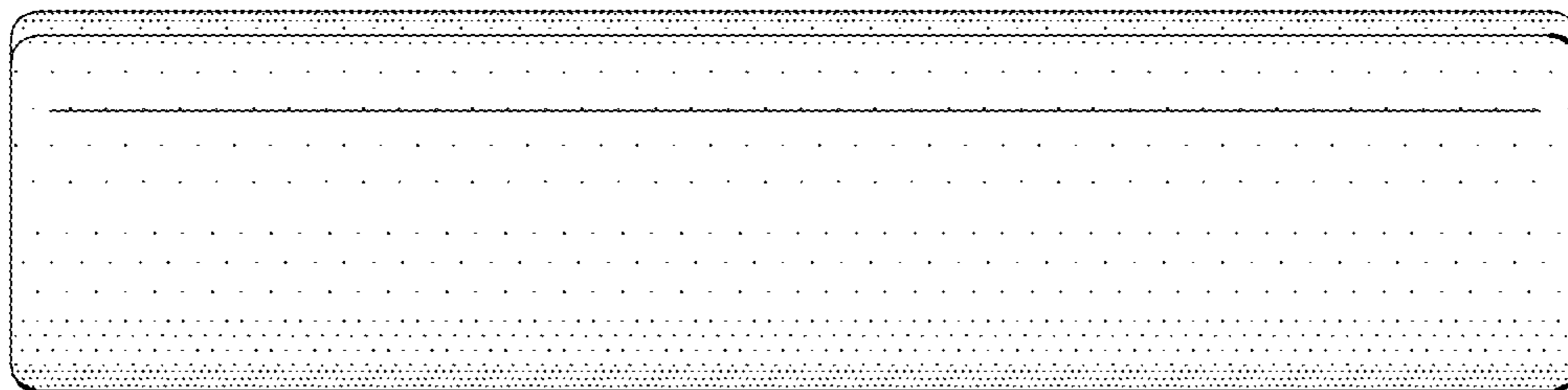


FIG.5

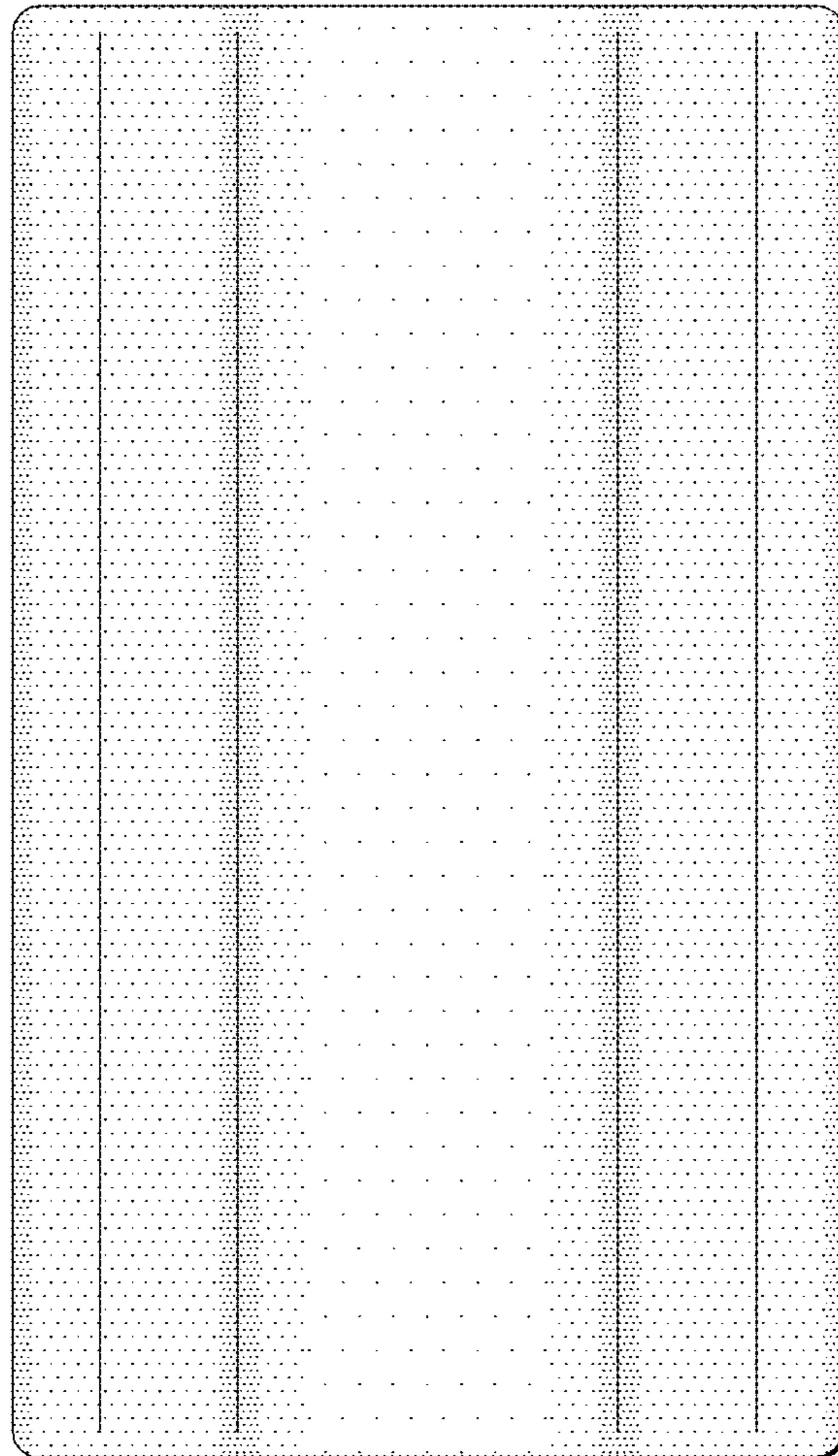


FIG.6

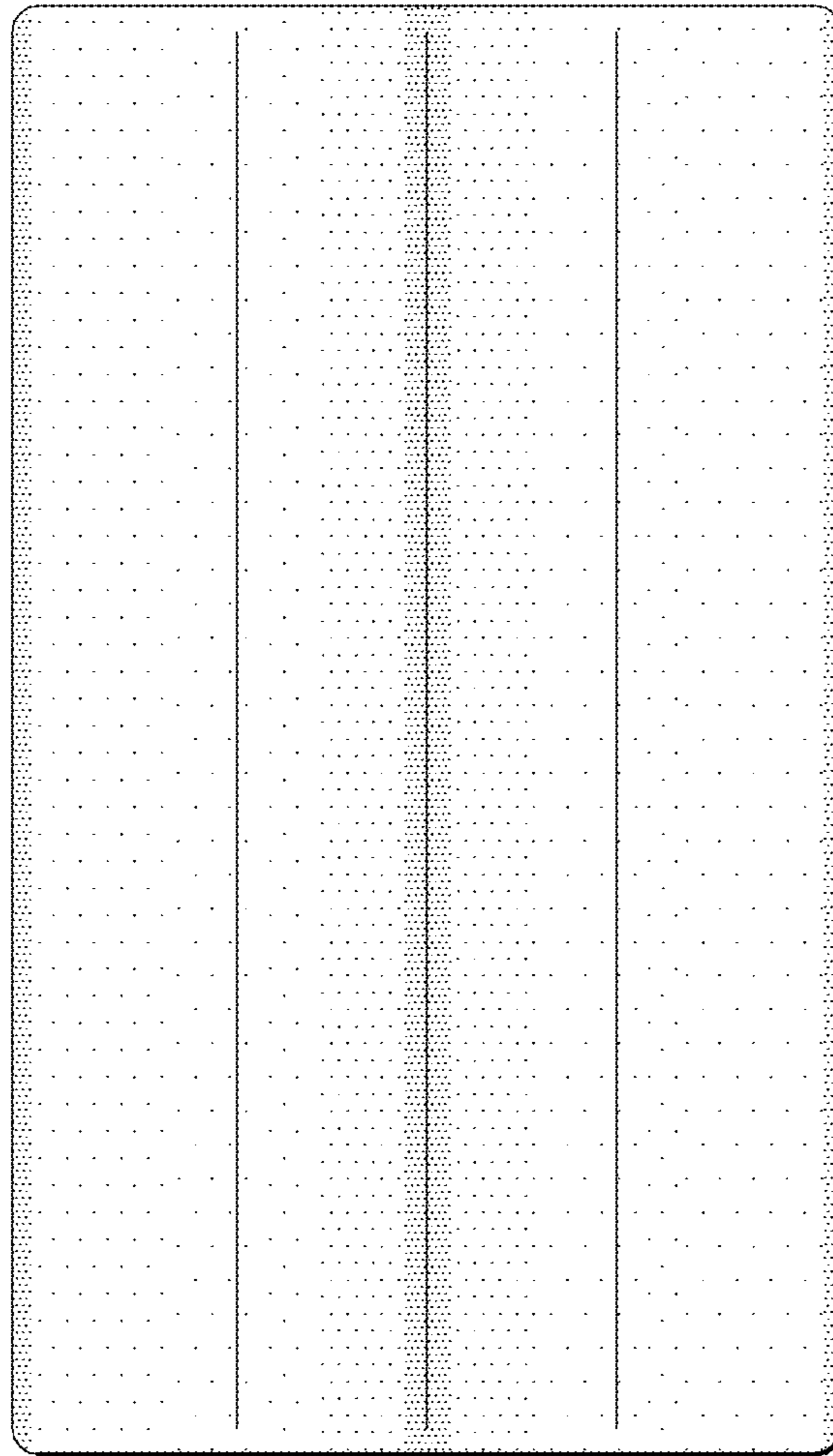


FIG.7

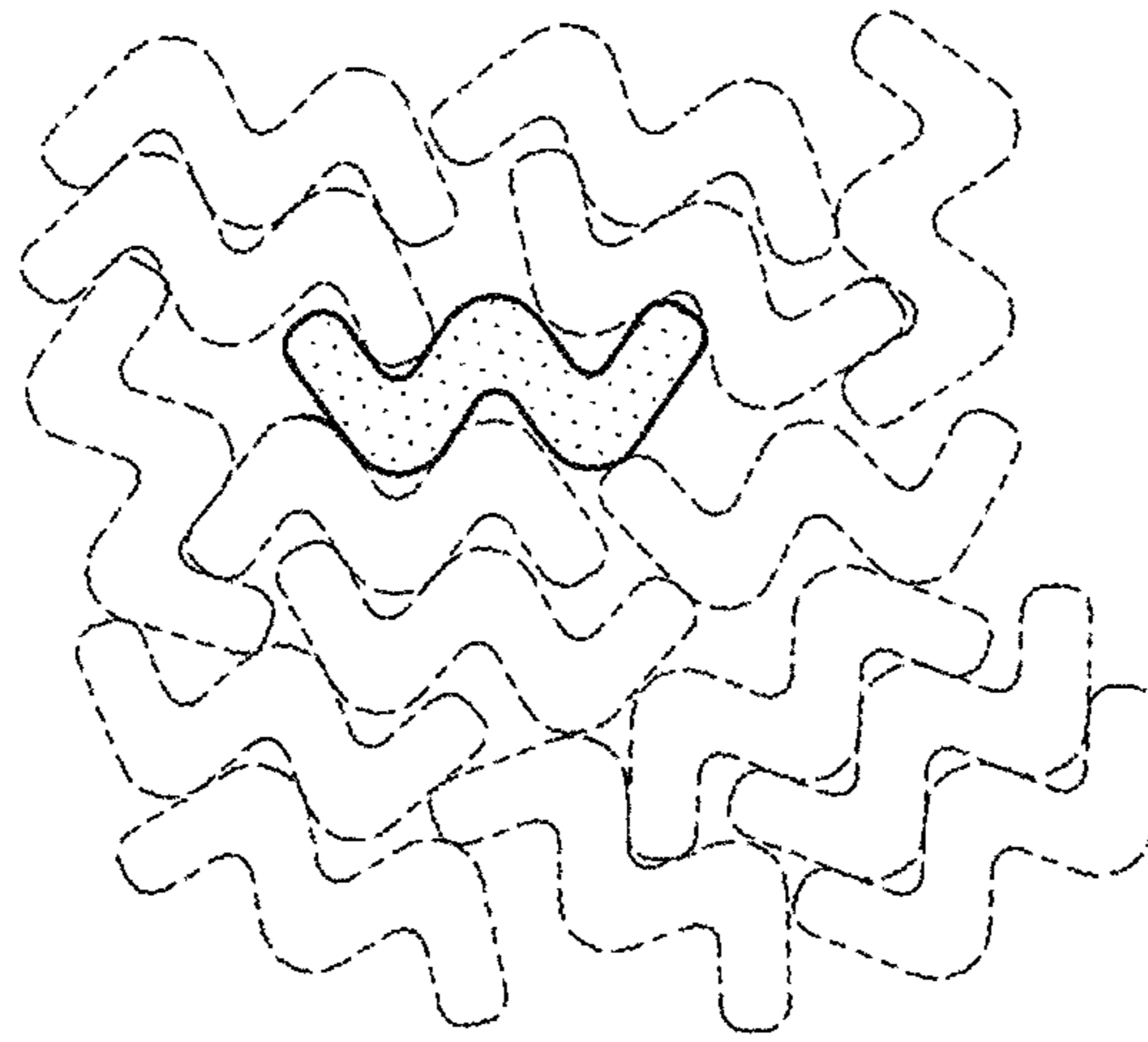


FIG.8