



US00D822393S

(12) **United States Design Patent**
Kwiatkowski et al.

(10) **Patent No.:** **US D822,393 S**

(45) **Date of Patent:** **** Jul. 10, 2018**

(54) **BRUSH STAND FOR CLEANING BRUSHES**

(71) Applicants: **Neil Kwiatkowski**, Queens, NY (US);
Daniel Huang, Taipei (TW)

(72) Inventors: **Neil Kwiatkowski**, Queens, NY (US);
Daniel Huang, Taipei (TW)

(73) Assignee: **HELEN OF TROY LIMITED**, St.
Michael (BB)

(**) Term: **15 Years**

(21) Appl. No.: **29/608,554**

(22) Filed: **Jun. 22, 2017**

(51) **LOC (11) Cl.** **04-99**

(52) **U.S. Cl.**
USPC **D4/199**

(58) **Field of Classification Search**
USPC D3/228, 269, 300; D4/199; D9/702,
D9/711, 712; 15/246, 247; 150/161;
206/15.3, 284, 361, 362.2, 362.3, 362.4;
428/34.3
CPC .. A46B 17/04; A46B 2200/202; B65D 25/105
See application file for complete search history.

(56) **References Cited**

U.S. PATENT DOCUMENTS

- D205,991 S * 10/1966 Madl D13/108
- 5,000,199 A * 3/1991 Kuranski A45D 19/02
132/112
- D324,454 S * 3/1992 Herron 15/23
- D465,654 S * 11/2002 Richmond D4/102
- D531,816 S * 11/2006 Tuman D4/199

- D568,052 S * 5/2008 Taylor D4/199
- 7,838,846 B2 * 11/2010 Pinsky A46B 17/06
250/454.11
- D713,816 S * 9/2014 Fleetwood D14/155
- D758,743 S * 6/2016 Cessot D4/199
- D768,999 S * 10/2016 Schlegel D4/199
- D785,951 S * 5/2017 Rosenzweig D4/199

* cited by examiner

Primary Examiner — Austin Murphy

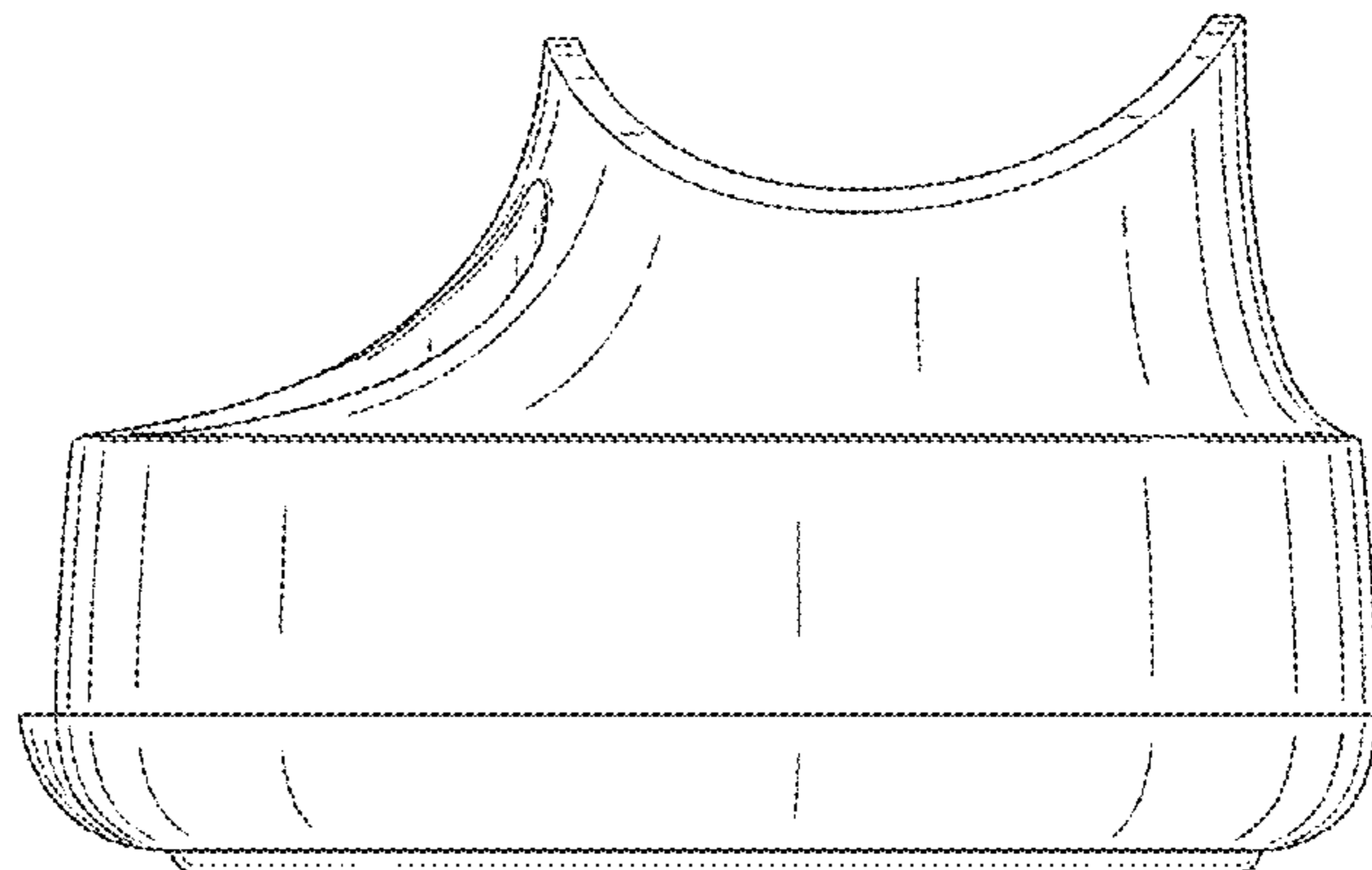
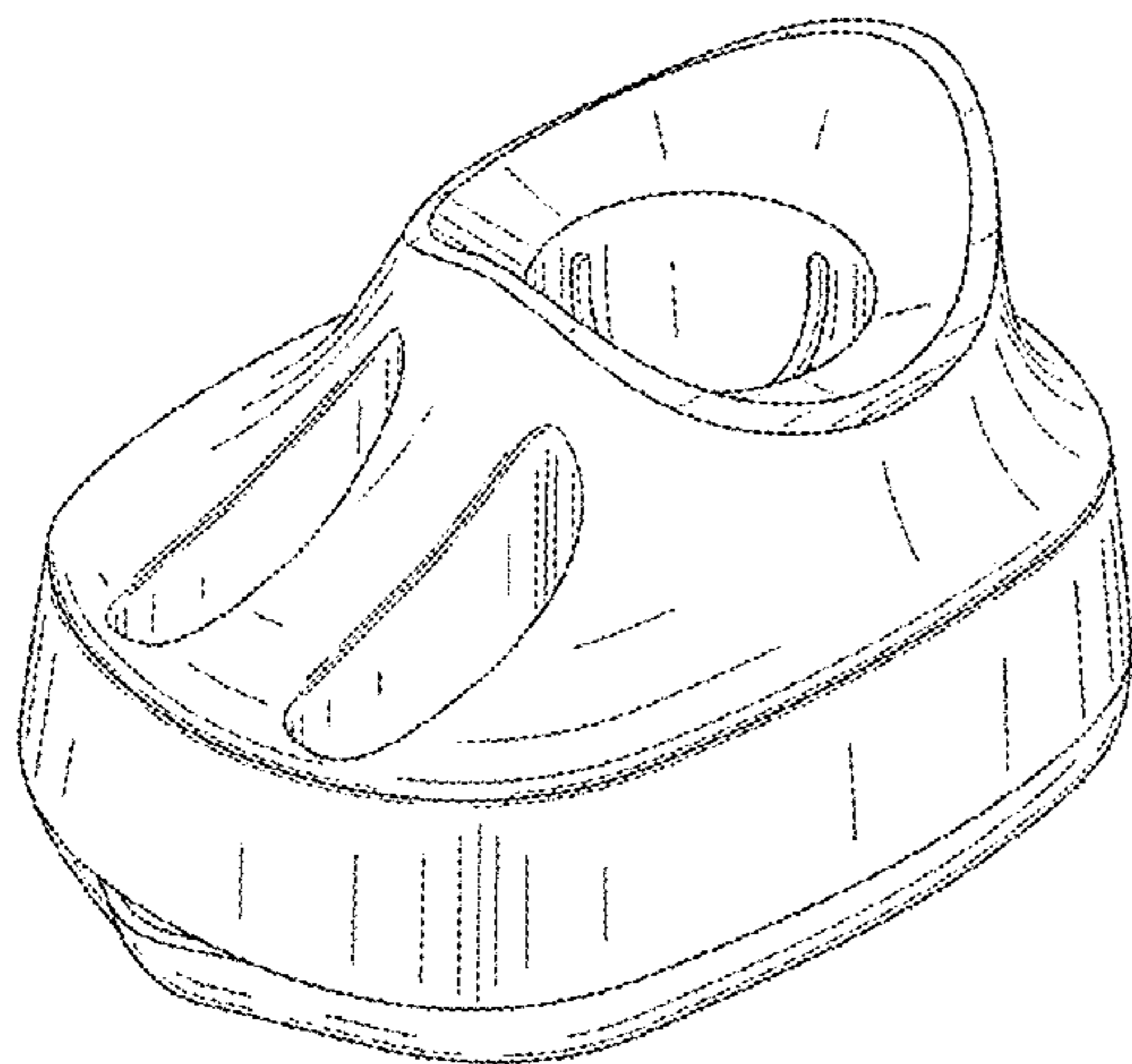
(57) **CLAIM**

The ornamental design for a brush stand for cleaning brushes, as shown, and described.

DESCRIPTION

FIG. 1 is a perspective view of the brush stand for cleaning brushes;
 FIG. 2 is a front view of the brush stand for cleaning brushes;
 FIG. 3 is a rear view of the brush stand for cleaning brushes;
 FIG. 4 is a left side view of the brush stand for cleaning brushes (with the right side a mirror image thereof);
 FIG. 5 is a top view of the brush stand for cleaning brushes;
 FIG. 6 is a bottom view of the brush stand for cleaning brushes;
 FIG. 7 is a perspective view of the brush stand for cleaning brushes in a horizontal brush storage use environment; and,
 FIG. 8 is a perspective view of the brush stand for cleaning brushes in a vertical brush storage use environment.
 The broken lines depict environment and form no part of the claimed design.

1 Claim, 8 Drawing Sheets



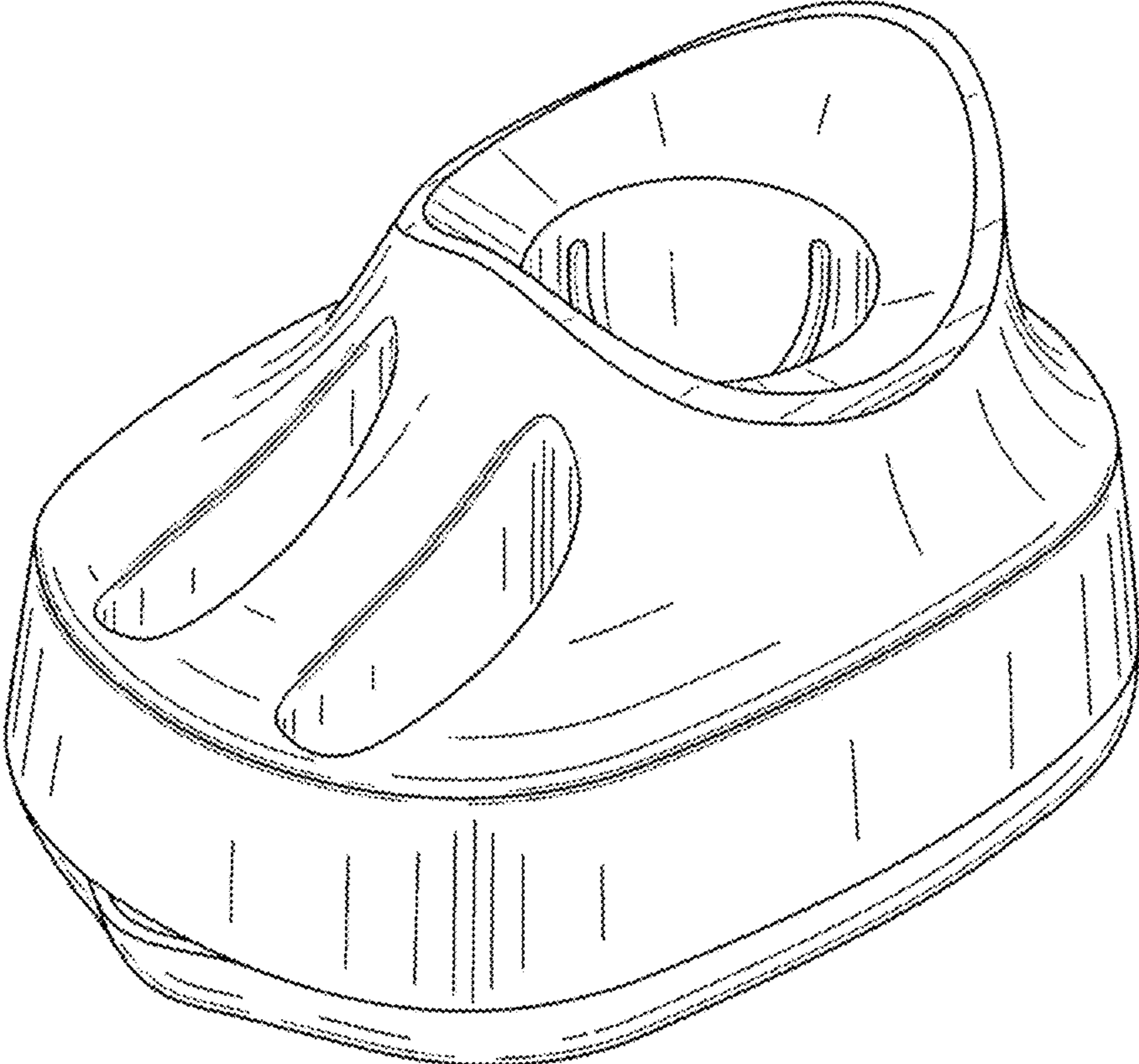


FIG. 1

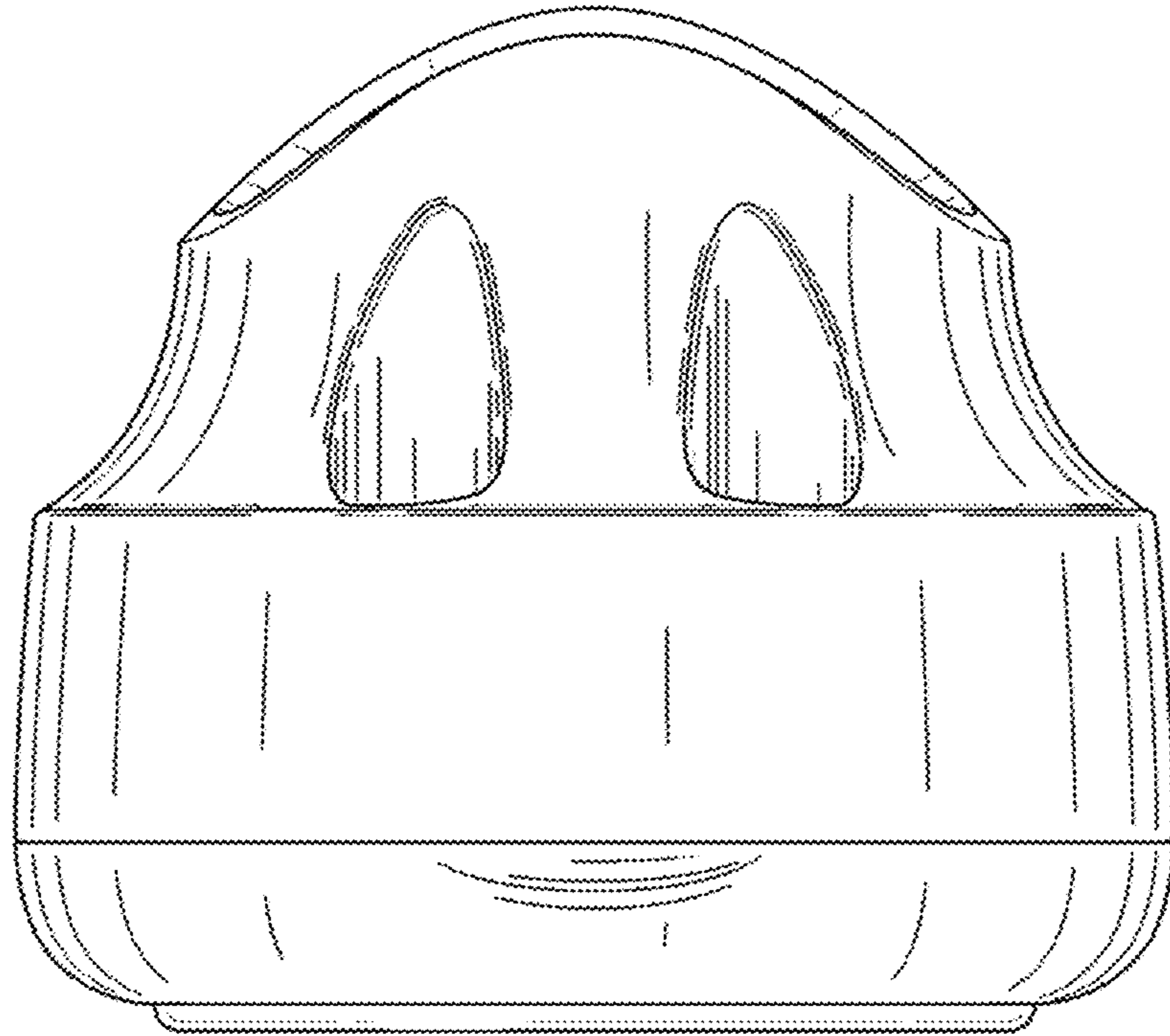


FIG. 2

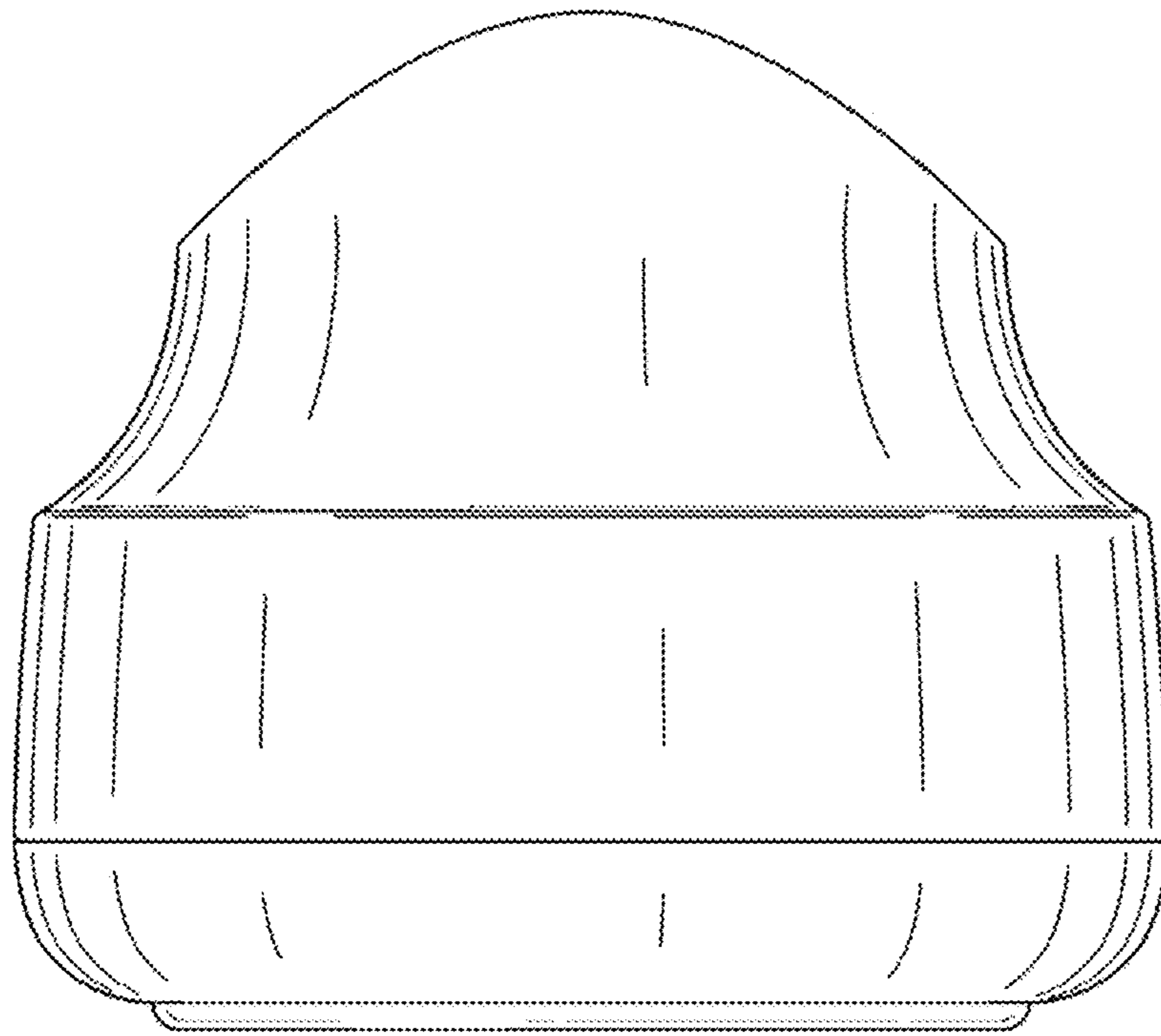


FIG. 3

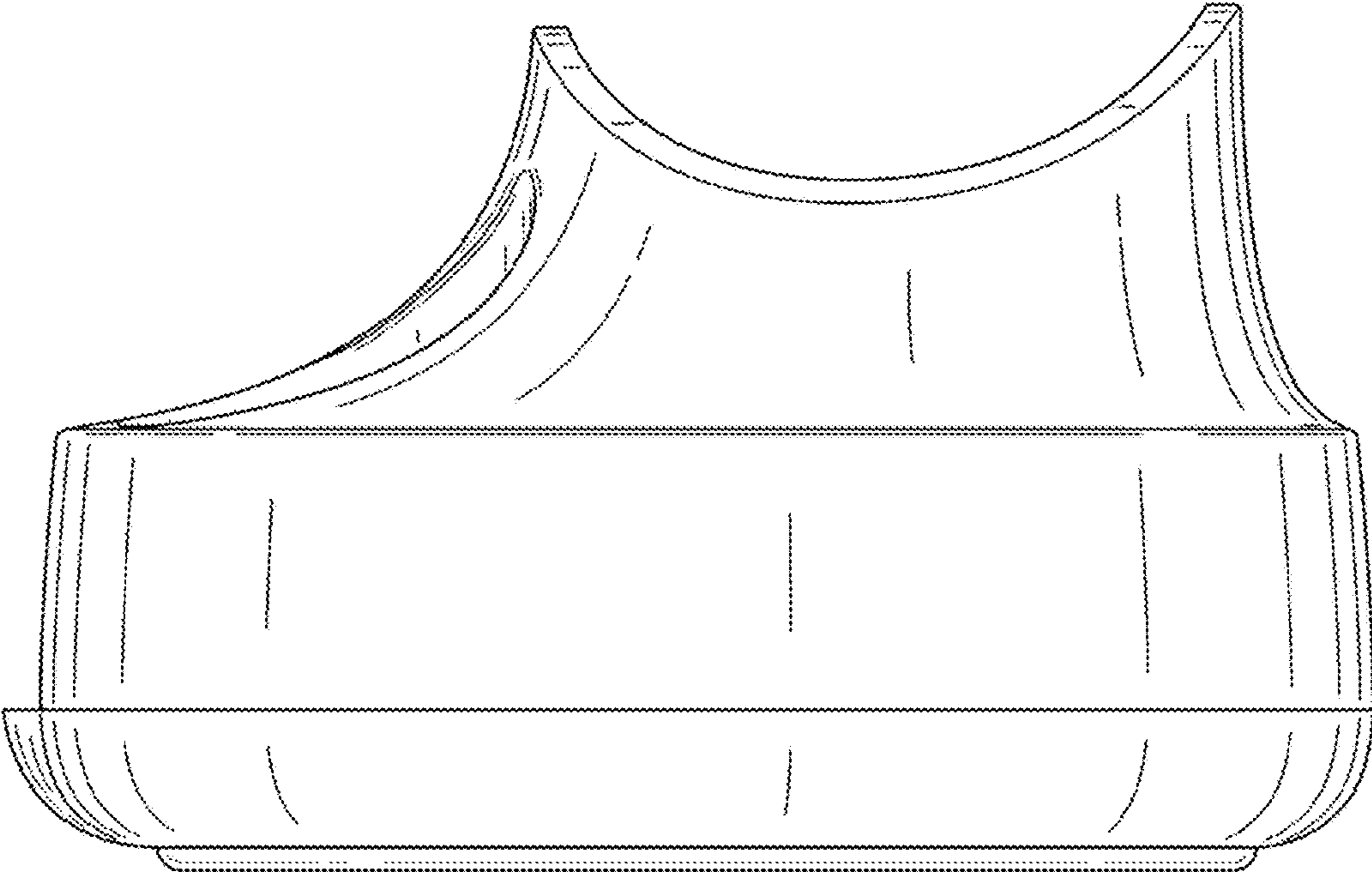


FIG. 4

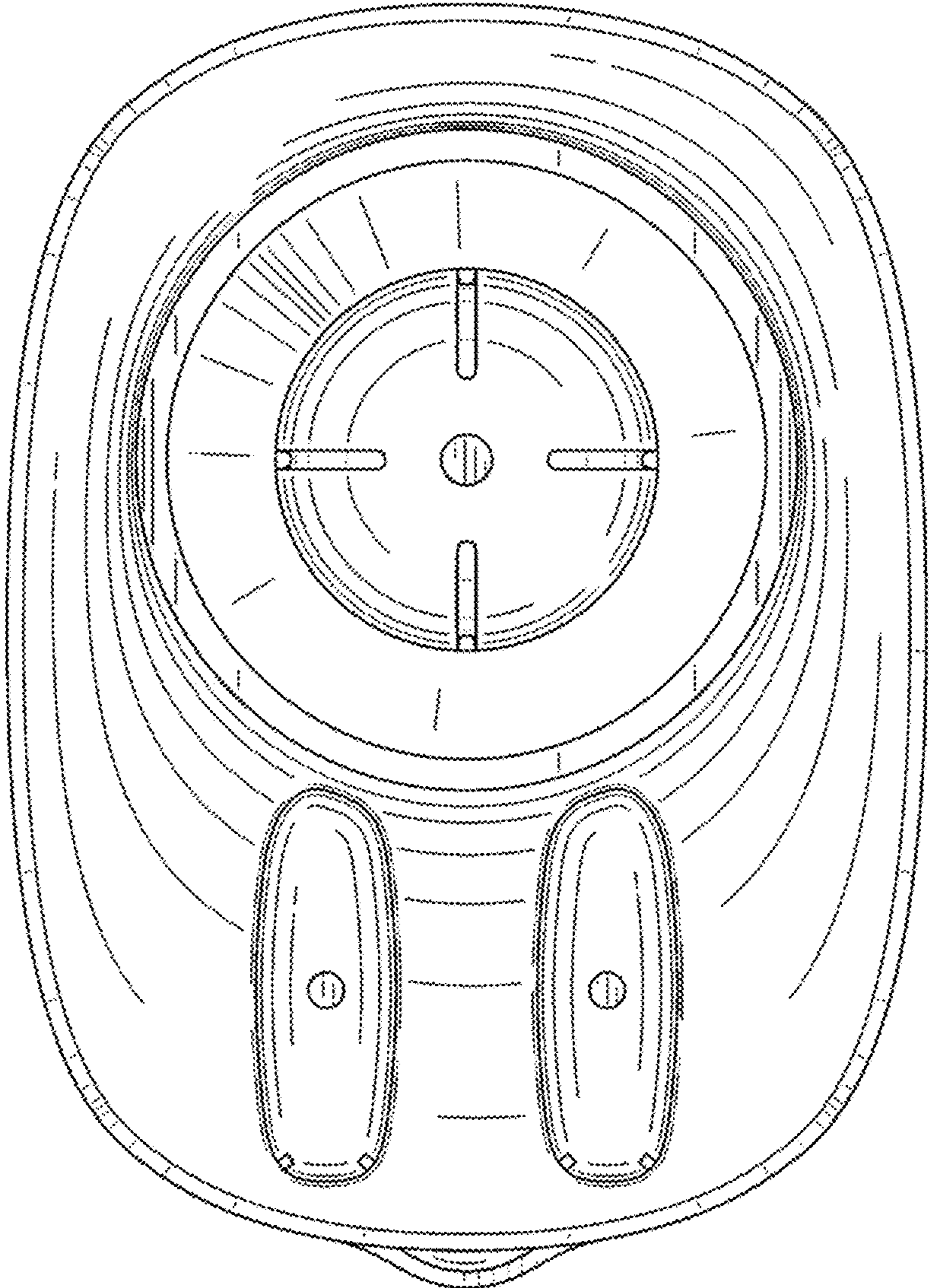


FIG. 5

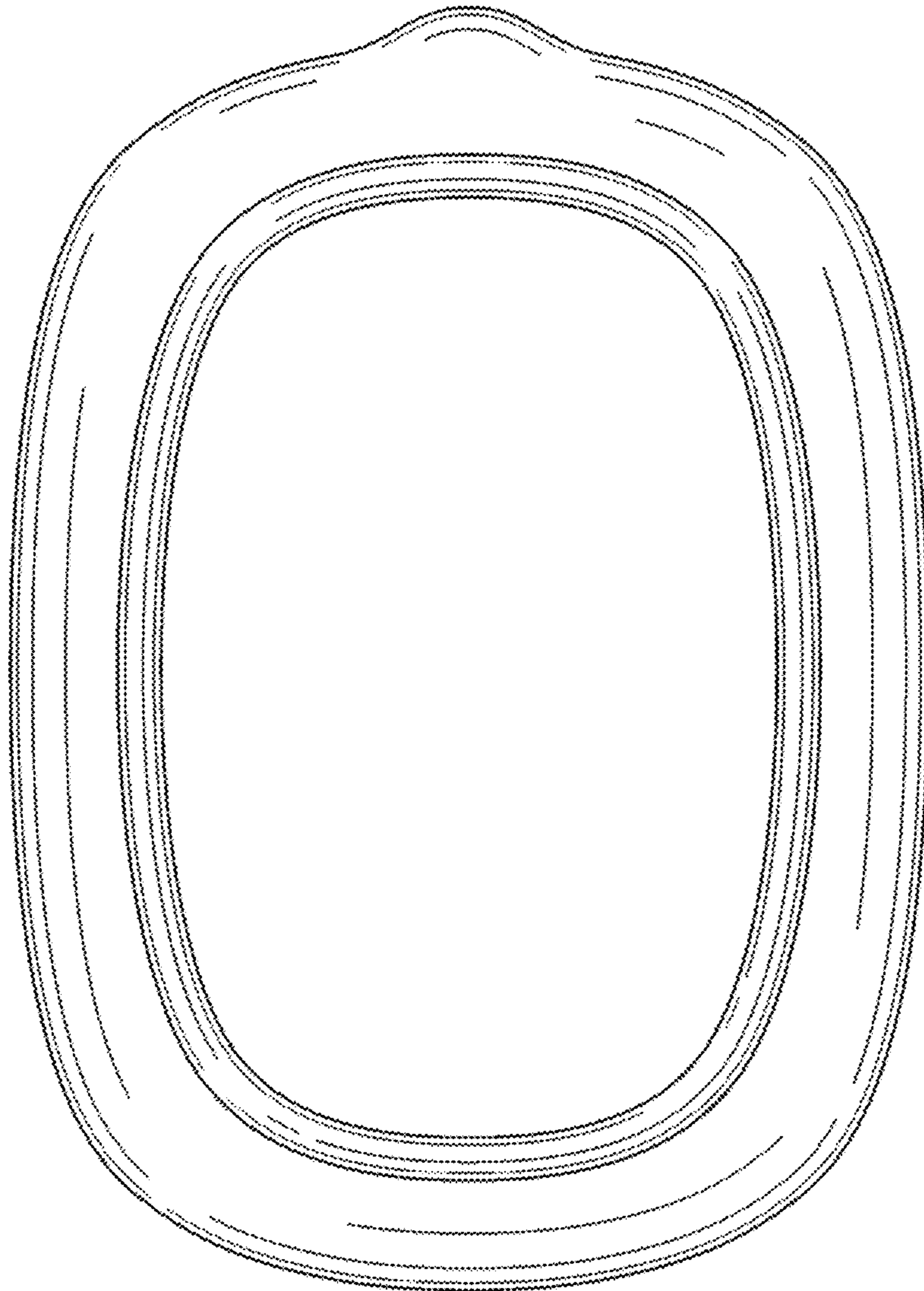


FIG. 6

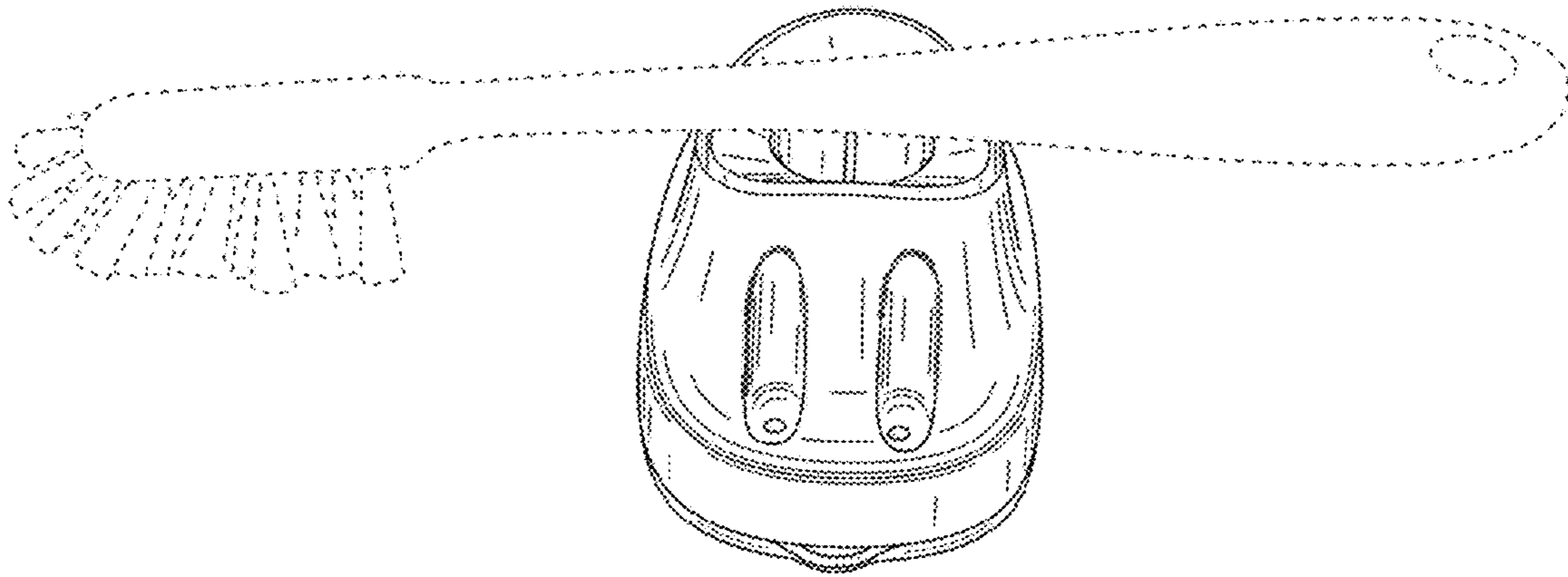


FIG. 7

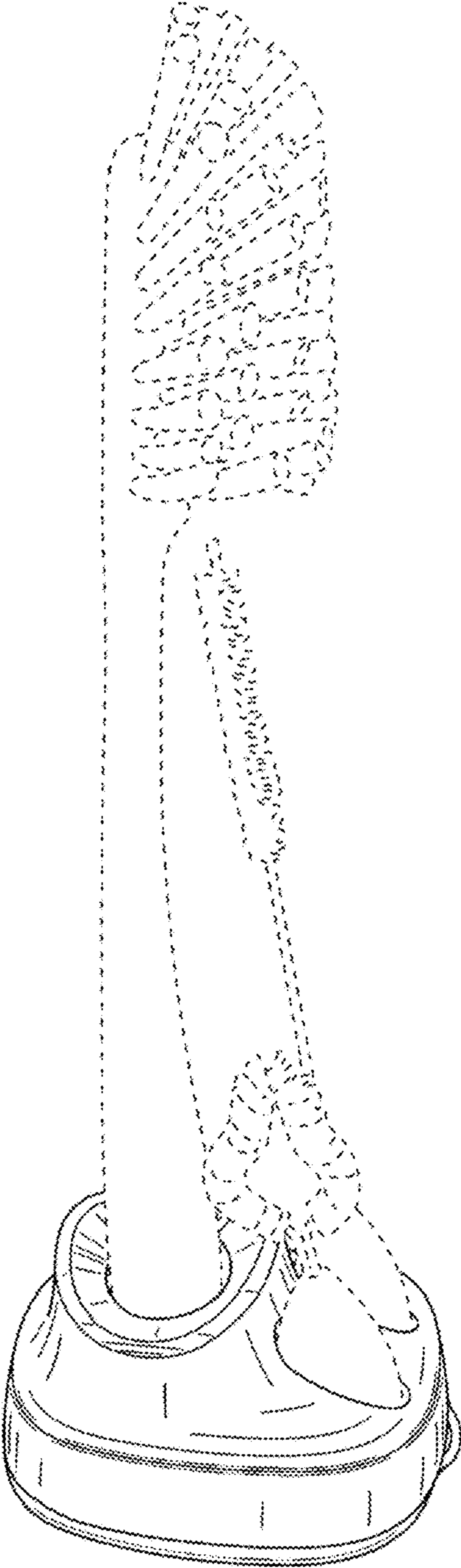


FIG. 8