



US00D822392S

(12) **United States Design Patent**
Valentino et al.

(10) **Patent No.: US D822,392 S**

(45) **Date of Patent: ** Jul. 10, 2018**

(54) **COMPACT BRUSH**

(71) Applicant: **Orielle, LLC**, Beverly Hills, CA (US)

(72) Inventors: **Nadia Valentino**, Beverly Hills, CA (US); **Pip Tompkin**, Los Angeles, CA (US); **Shannon Hematian**, Los Angeles, CA (US)

(73) Assignee: **Orielle, LLC**, Dallas, TX (US)

(**) Term: **15 Years**

(21) Appl. No.: **29/565,316**

(22) Filed: **May 19, 2016**

(51) **LOC (11) Cl.** **04-02**

(52) **U.S. Cl.**
USPC **D4/127**

(58) **Field of Classification Search**

USPC D4/122, 138, 131, 132, 133, 134, 135,
D4/130, 199, 128, 121, 127, 136, 137;
D24/214, 215; D28/7, 50, 63, 82, 84;
D32/40, 45; D21/464; D9/529, 549
CPC .. A47K 7/02; A47L 13/12; A46B 5/02; A46B
2200/104

See application file for complete search history.

(56) **References Cited**

U.S. PATENT DOCUMENTS

1,326,265 A * 12/1919 Pearce A47K 7/03
15/244.3
1,375,681 A * 4/1921 Dennin A46B 5/0033
132/313
1,913,462 A * 6/1933 Timar A61H 7/003
601/135

(Continued)

FOREIGN PATENT DOCUMENTS

CN 3364918 * 4/2004
CN 3456291 * 6/2005
CN 3624931 * 3/2007

OTHER PUBLICATIONS

“Macaron” hairbrush, shown in article entitled, “Au Revoir, Tangles. Macaron for Hair!” [on-line]. Initial publication date unknown; retrieved from the Internet May 18, 2017. URL: <http://www.milkandsass.com/>. (14 pages).*

(Continued)

Primary Examiner — Karen E Eldridge Powers

(74) *Attorney, Agent, or Firm* — Rutan & Tucker LLP;
Hani Z. Sayed

(57) **CLAIM**

We claim the ornamental design for a compact brush, as shown and described.

DESCRIPTION

FIG. 1 is a bottom perspective view of the compact brush, shown in a closed position;

FIG. 2 is a top perspective view of the compact brush shown in FIG. 1;

FIG. 3 is a right side elevation view of the compact brush shown in FIGS. 1-2;

FIG. 4 is a left side elevation view of the compact brush shown in FIGS. 1-3;

FIG. 5 is a bottom plan view of the compact brush shown in FIGS. 1-4;

FIG. 6 is a top plan view of the compact brush shown in FIGS. 1-5;

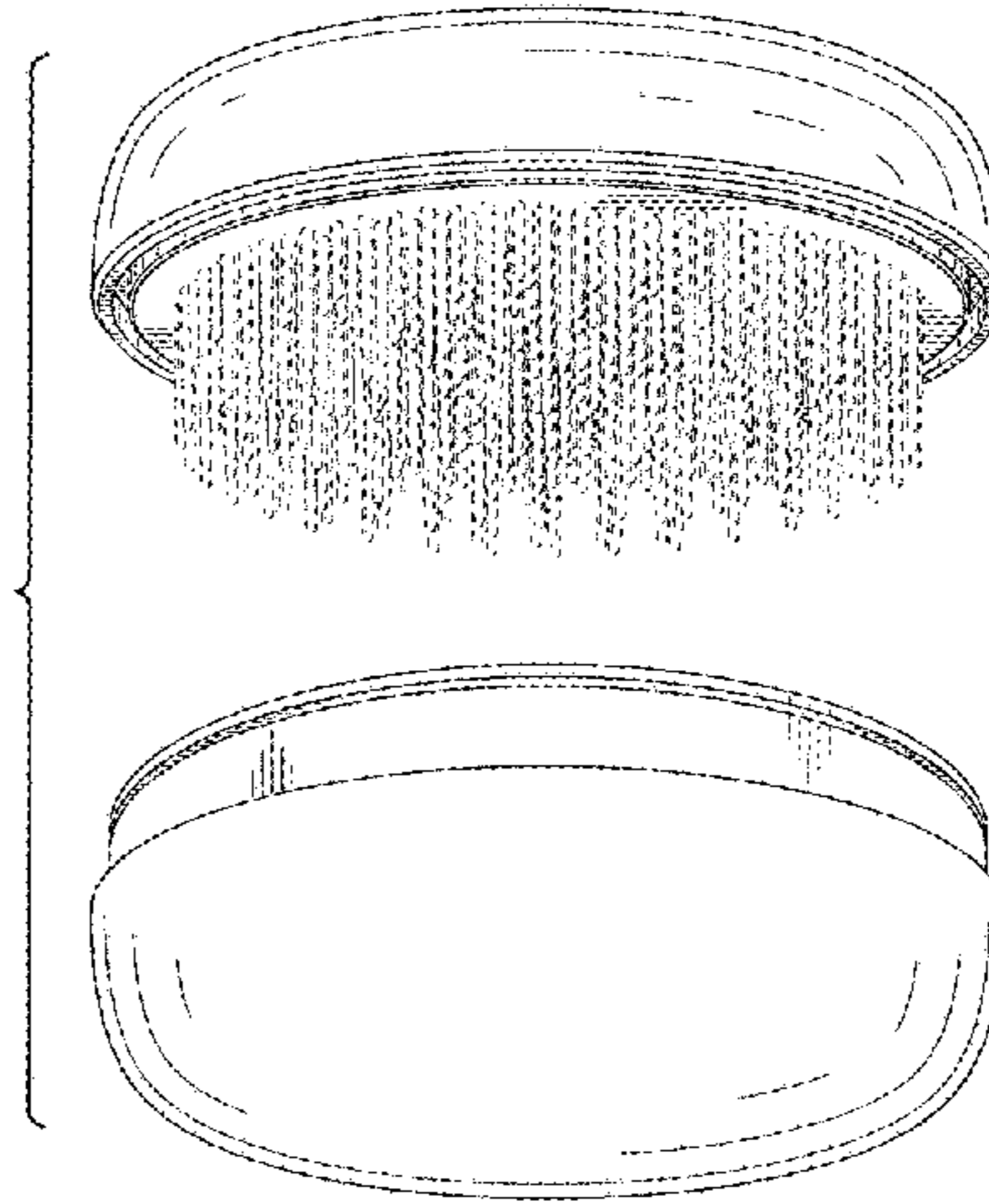
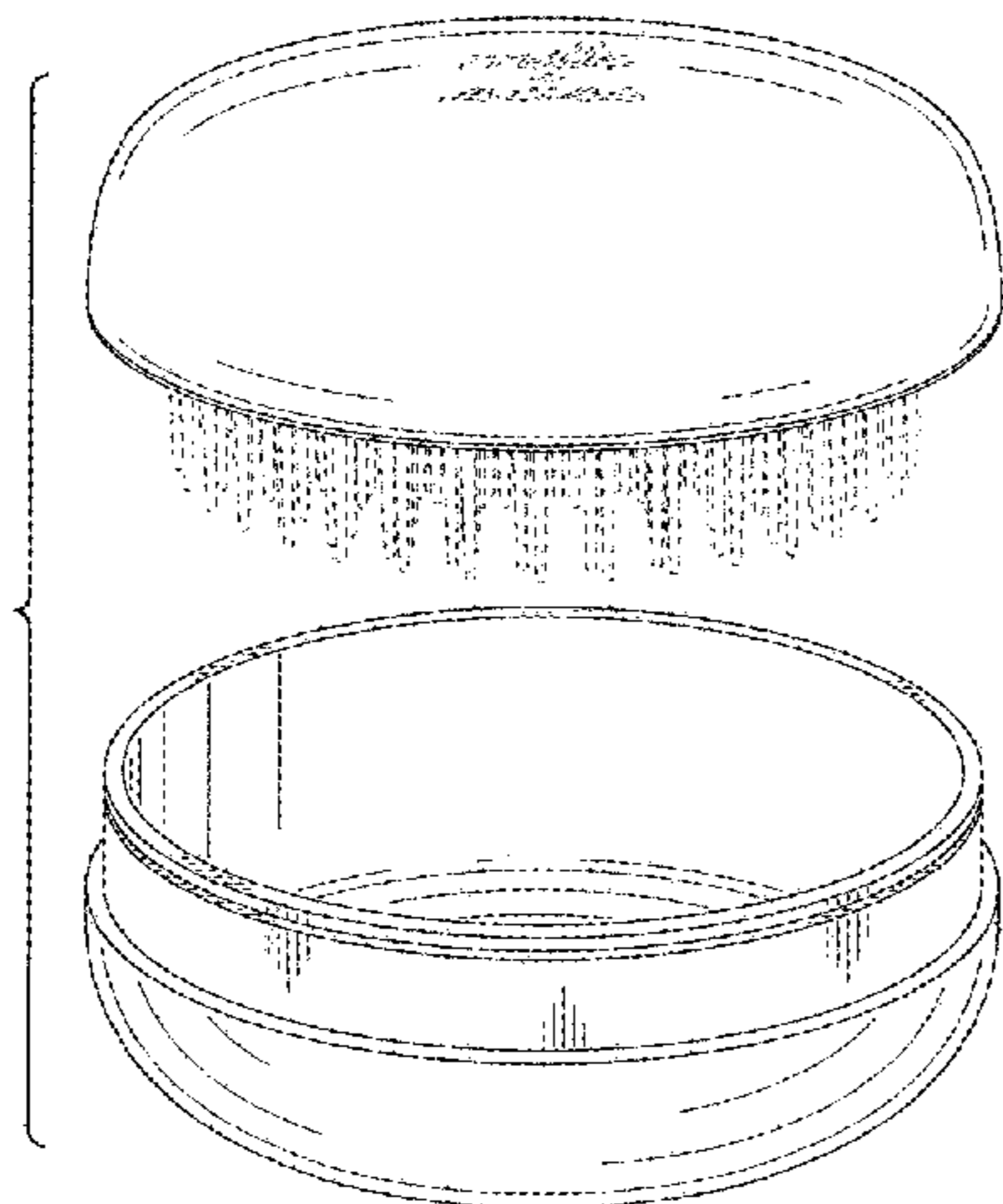
FIG. 7 is a top perspective view of the compact brush shown in FIGS. 1-6, but in an open position;

FIG. 8 is a bottom perspective view of the compact brush shown in FIG. 7; and,

FIG. 9 is a side elevation view of the compact brush shown in FIGS. 7-8.

The indicia and environmental structure illustrated in broken lines in the drawing figures form no part of the claimed design.

1 Claim, 8 Drawing Sheets



(56)

References Cited

U.S. PATENT DOCUMENTS

2,090,050	A *	8/1937	Jackson	A61H 7/003 601/137
D132,607	S *	6/1942	Schwartz	D4/130
D166,124	S *	3/1952	Schwartz	D28/63
D214,111	S *	5/1969	Anderson	D24/214
D266,116	S *	9/1982	Deconinck	D4/127
D324,997	S *	3/1992	Jones	D28/82
D363,569	S *	10/1995	Lai	D28/82
D403,589	S *	1/1999	Wong	D9/504
D403,717	S *	1/1999	Hammer	D21/464
D460,218	S *	7/2002	Thorpe	D28/82
D478,174	S *	8/2003	Huang	D24/212
D514,328	S *	2/2006	Huang	D24/211
D541,049	S *	4/2007	Huang	D28/63
D675,333	S *	1/2013	Luzon	D24/215
D721,853	S *	1/2015	Koo	D28/82
D776,524	S *	1/2017	Albano	D9/428
D782,827	S *	4/2017	Jenkins	D4/136
D785,339	S *	5/2017	Brown	D32/25
D786,078	S *	5/2017	Futagami	D28/8
D788,371	S *	5/2017	Lee	D28/82
D793,236	S *	8/2017	Santos	D9/454
2008/0053473	A1 *	3/2008	Lee	A46B 5/0002 132/313

OTHER PUBLICATIONS

“Macaron” hairbrush, shown in press release entitled, “The Parisian-Inspired Detangling Delicacy: Milk + Sass Releases Patented Macaron for Hair,” [on-line]. Published Jun. 12, 2017; retrieved from the Internet Jul. 21, 2017. (5 pages).*

Macaron hairbrush as shown in article, Milk+Sass Releases the Creme de la Creme of Detangling Brushes with Macaron for Hair [on-line]. Published by Orielle Feb. 8, 2017; retrieved from the Internet Jul. 21, 2017. (4 pages).*

Au Revoir, Tangles. Macaron for Hair! [on-line]. Original publication date unknown; retrieved from Internet May 18, 2017. URL: <<http://www.milkandsass.com>>. (14 pages) (Year: 2017).*

The Parisian-Inspired Detangling Delicacy: Milk + Sass Releases Patented Macaron for Hair [on-line]. Published Jun. 12, 2017; retrieved from Internet Jul. 21, 2017. URL: <<https://www.newswire.com/news/the-parisian-inspired-detangling-delicacy-milk-sass-releases-patented-19610472>>. (5 pages) (Year: 2017).*

“Milk+Sass Releases the Creme de la Creme of Detangling Brushes with Macaron for Hair,” [on-line]. Published Feb. 8, 2017; retrieved from Internet Jul. 21, 2017. URL: <<http://www.prnewswire.com/news-releases/milksass-releases-the-creme-de-la-creme-of-detangling-brushes-with-macaron-for-hair-300403897.html>> (Year: 2017).*

* cited by examiner

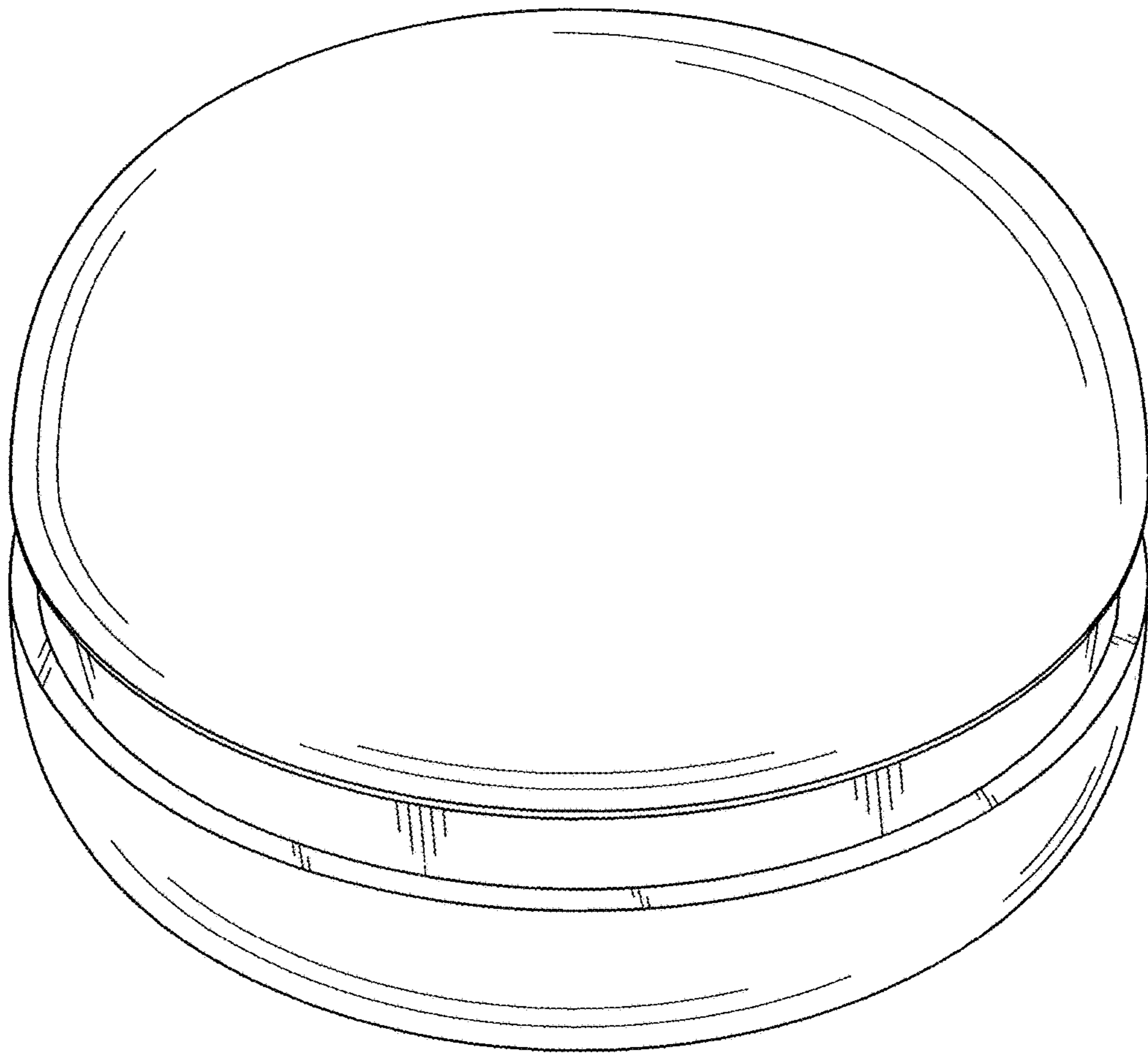


FIG. 1



FIG. 2

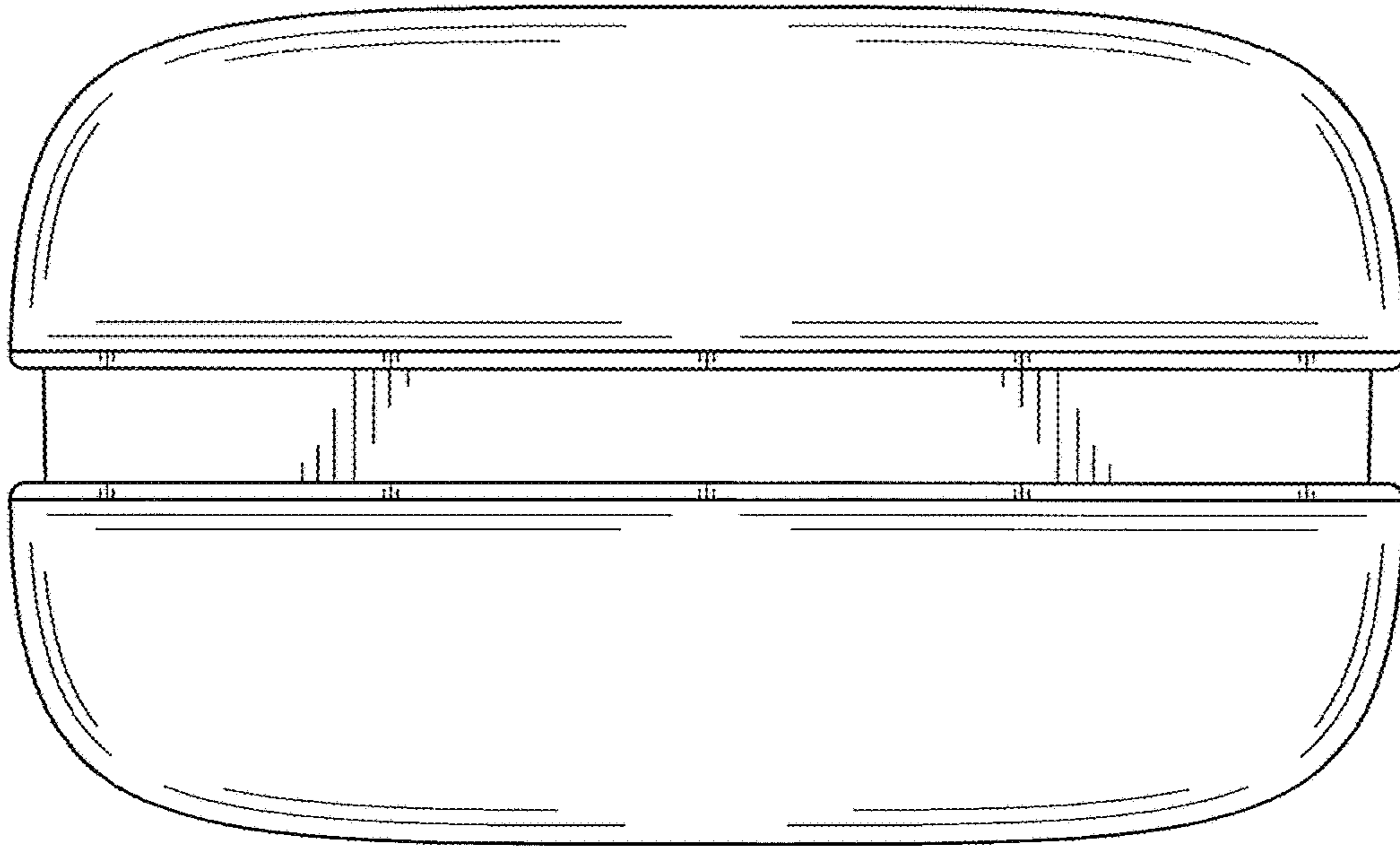


FIG. 3

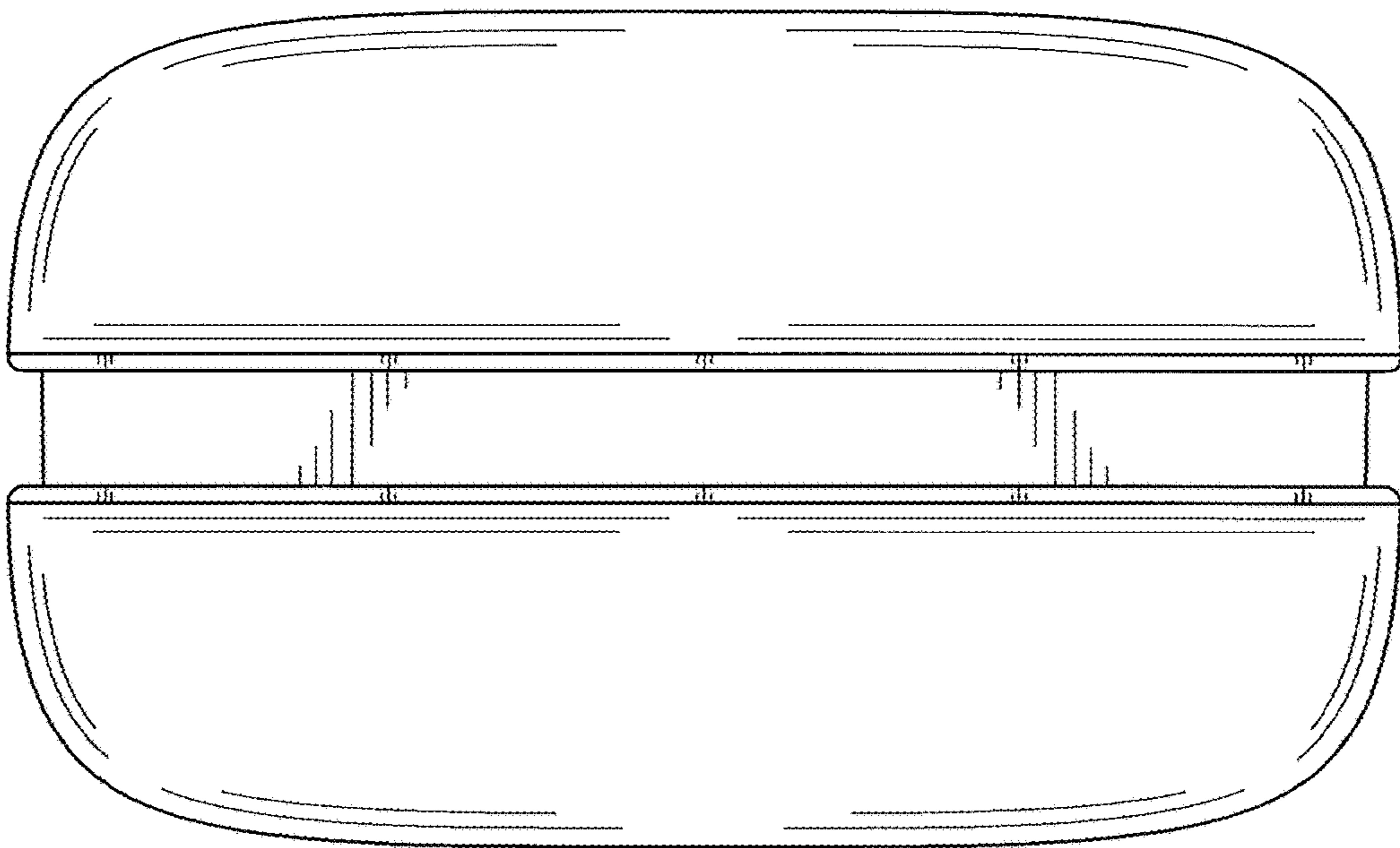


FIG. 4

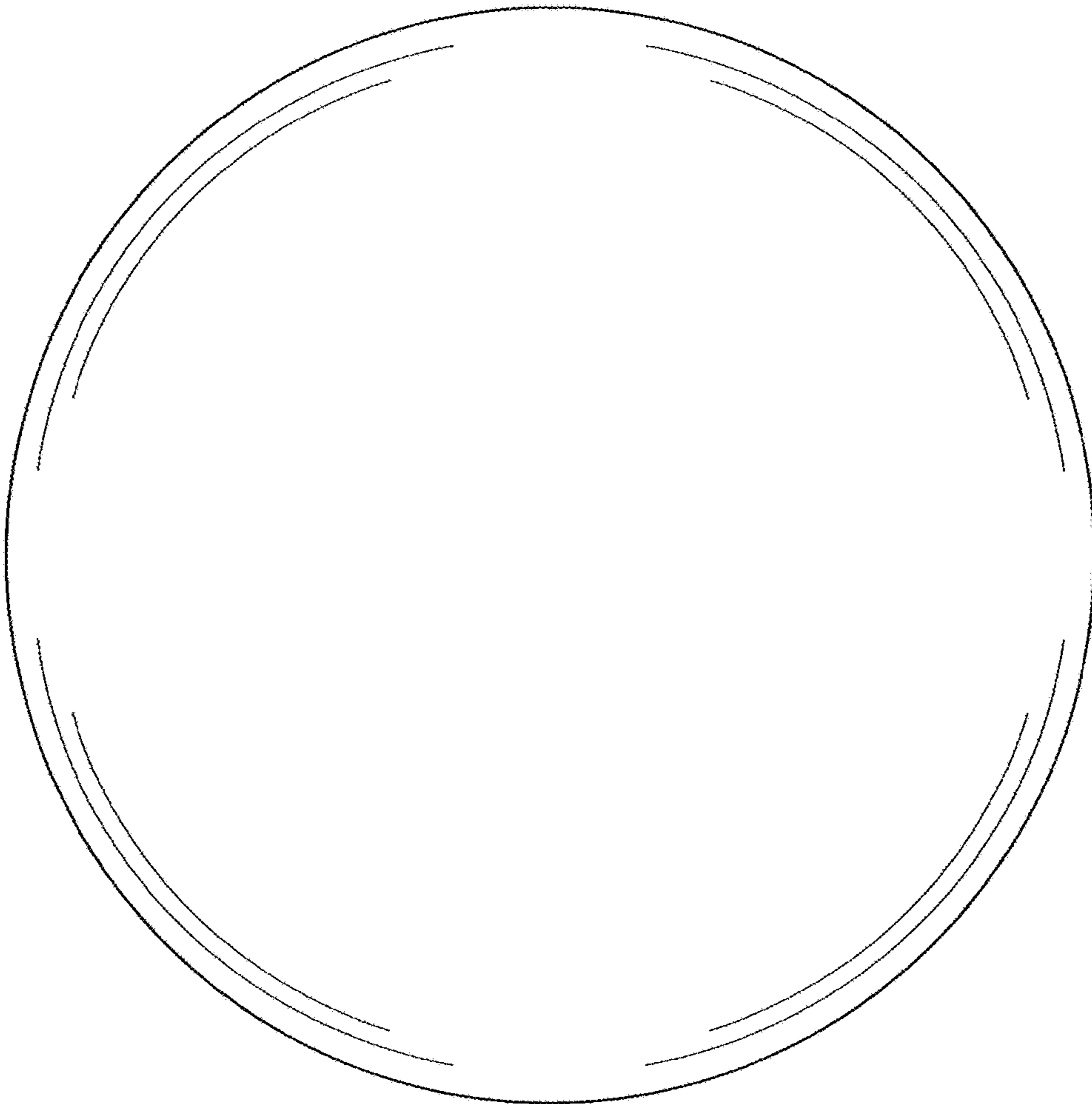


FIG. 5

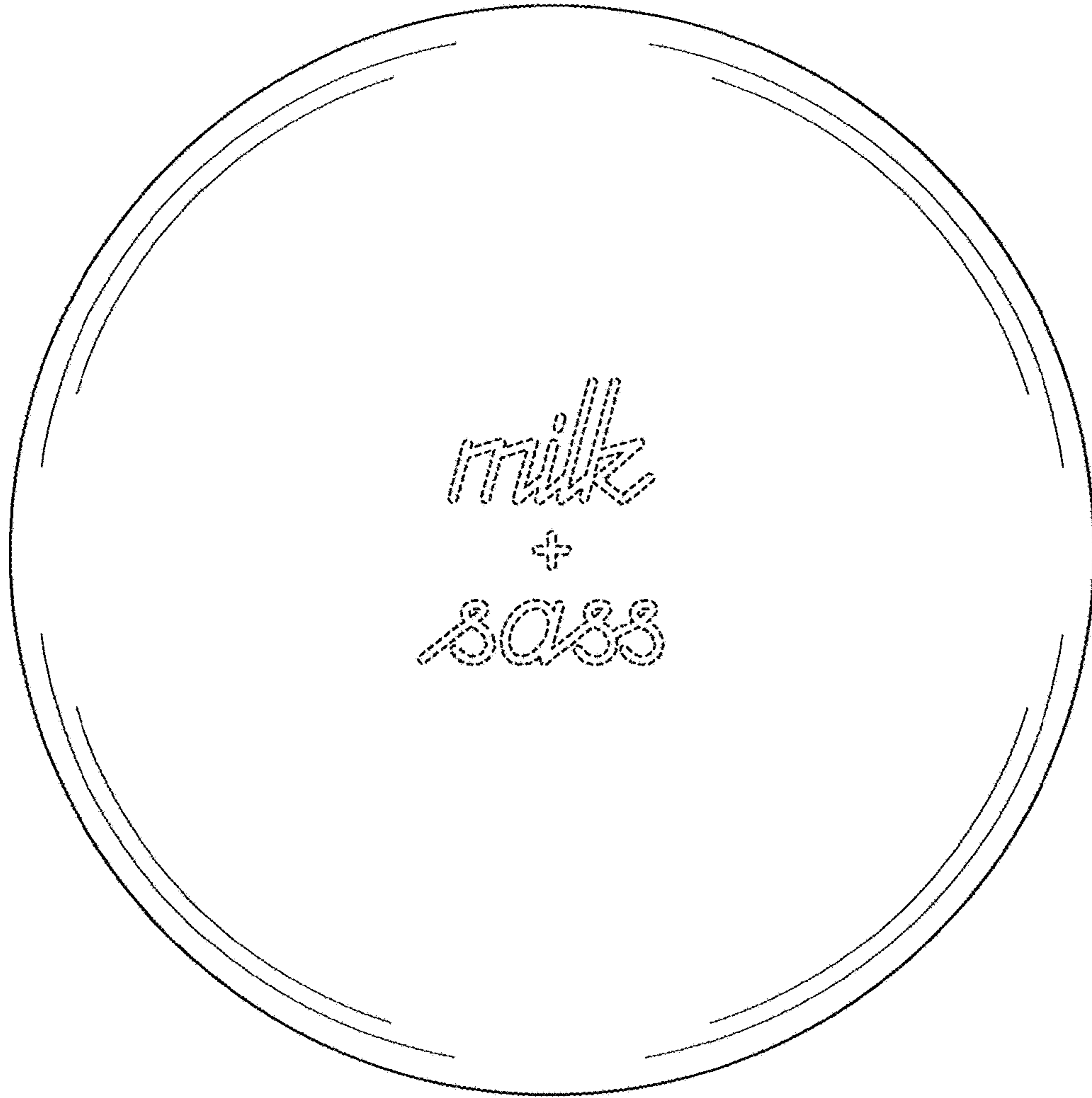


FIG. 6

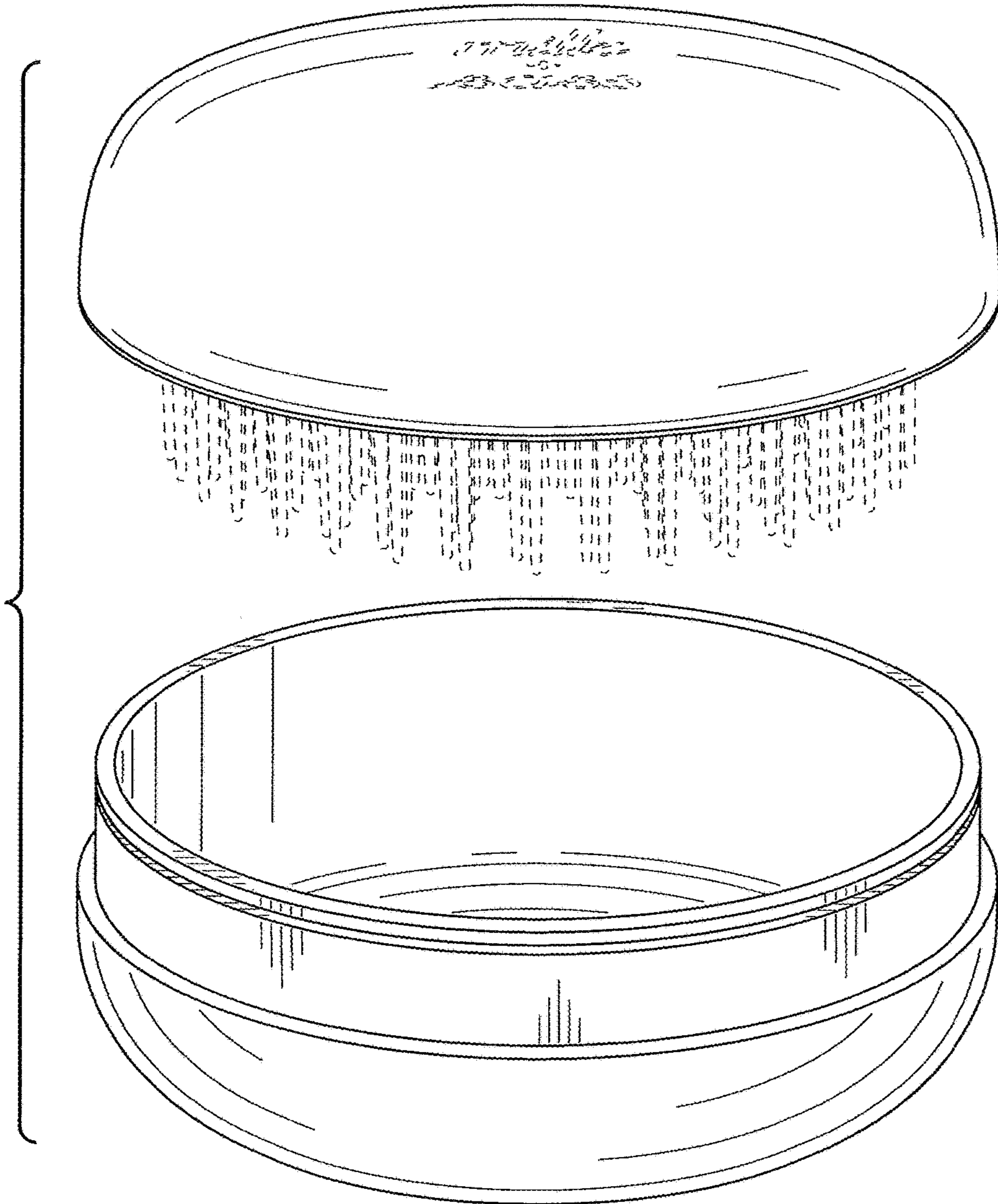


FIG. 7

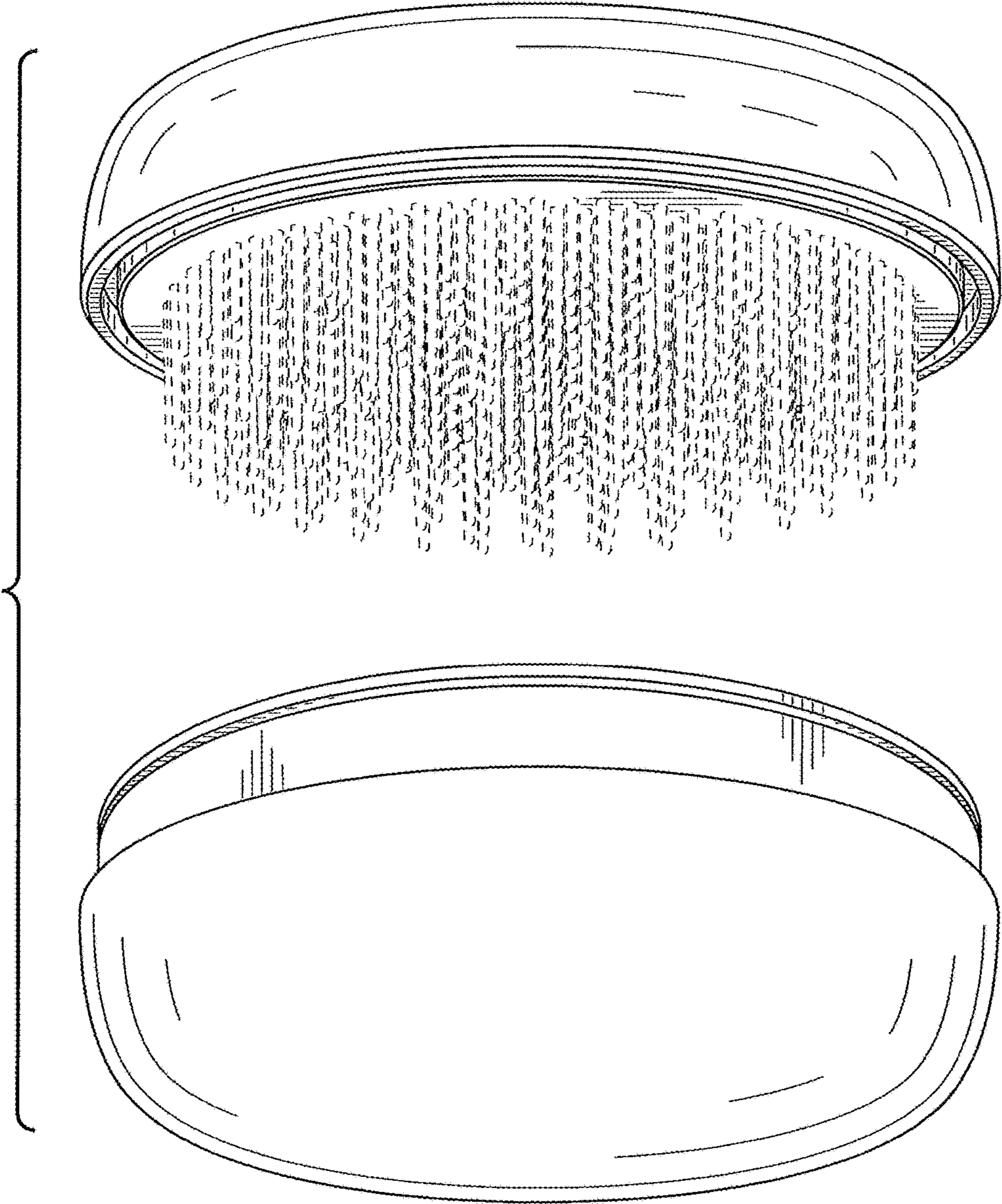


FIG. 8

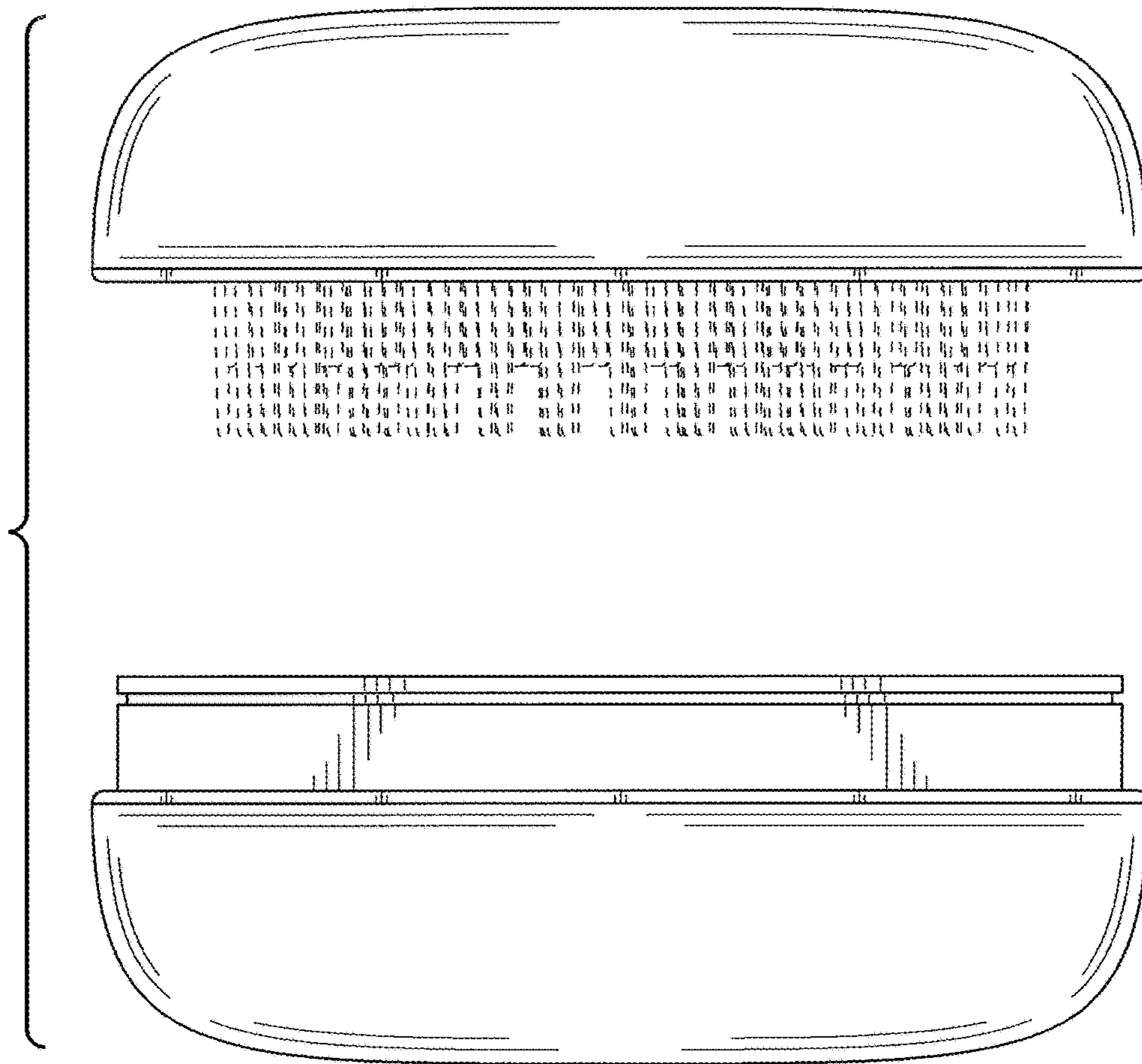


FIG. 9