



US00D822391S

(12) **United States Design Patent**
Murrihy et al.

(10) **Patent No.:** **US D822,391 S**
(45) **Date of Patent:** **** Jul. 10, 2018**

(54) **SELF-CLEANING PET GROOMING IMPLEMENT**

FOREIGN PATENT DOCUMENTS

(71) Applicant: **Lumo LLC**, Cambridge, MA (US)

DE 19606052 2/1996
GB 449580 6/1936

(Continued)

(72) Inventors: **Brian Murrihy**, Cambridge, MA (US);
Elizabeth Morrissey, Joppa, MD (US);
Yueyue Wang, Cambridge, MA (US)

OTHER PUBLICATIONS

Web page from www.petsmart.com for CHI Long Hair Slicker & Shedding Rake Combo product, Dec. 14, 2015 (1 page attached).

(Continued)

(73) Assignee: **LUMO LLC**, Cambridge, MA (US)

(**) Term: **15 Years**

Primary Examiner — Keli L Hill

(21) Appl. No.: **35/001,219**

(74) *Attorney, Agent, or Firm* — Sunstein Kann Murphy & Timbers LLP

(22) Filed: **Jun. 16, 2016**

(57) **CLAIM**

(80) **Hague Agreement Data**

Int. Filing Date: **Jun. 16, 2016**
Int. Reg. No.: **DM/094001**
Int. Reg. Date: **Jun. 16, 2016**
Int. Reg. Pub. Date: **Dec. 30, 2016**

The ornamental design for a self-cleaning pet grooming implement, as shown and described.

DESCRIPTION

Related U.S. Application Data

(63) Continuation of application No. 14/972,095, filed on Dec. 17, 2015.

(51) **LOC (11) Cl.** **04-01**

(52) **U.S. Cl.**
USPC **D4/121; D4/134; D4/138; D4/129**

(58) **Field of Classification Search**
USPC **D4/116, 117, 121, 130, 132, 134, 136, D4/138, 129; D30/158, 159; 15/23-27,**
(Continued)

1.1 is a front view of the self-cleaning pet grooming implement, wherein a brand logo is incorporated into the handle sub-assembly. The self-cleaning mechanism is at rest.

1.2 is a rear view of the self-cleaning pet grooming implement when the self-cleaning mechanism is at rest.

1.3 is a left side view of the self-cleaning pet grooming implement when the self-cleaning mechanism is at rest.

1.4 is a right side view of the self-cleaning pet grooming implement when the self-cleaning mechanism is at rest.

1.5 is a front left perspective view of the self-cleaning pet grooming implement when the self-cleaning mechanism is at rest.

1.6 is a rear right perspective view of the self-cleaning pet grooming implement when the self-cleaning mechanism is at rest, indicating the intended manner in which the implement is to be held.

1.7 is a front view, with the self-cleaning mechanism in the actuated position.

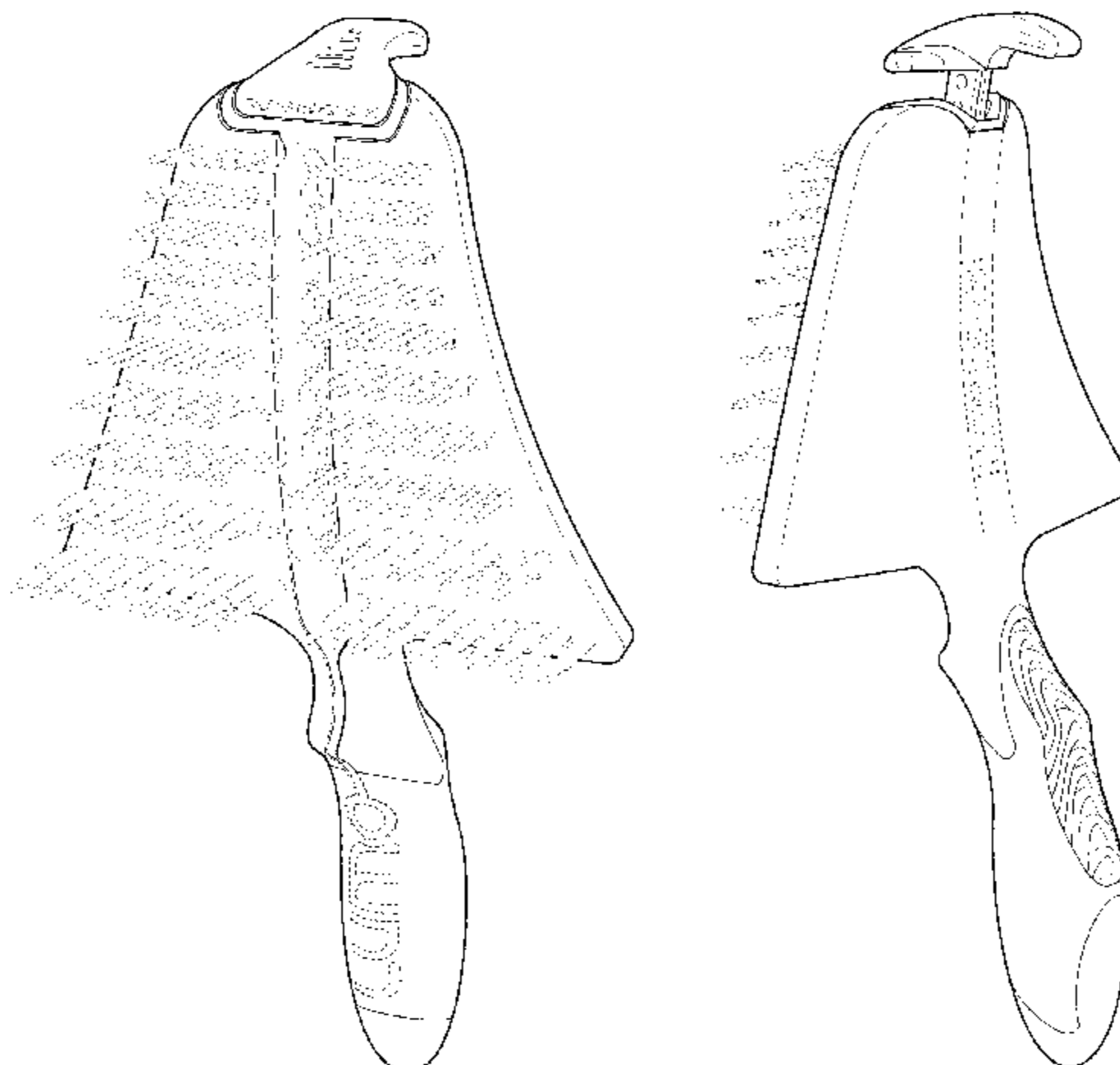
1.8 is a rear view of the self-cleaning pet grooming implement when the self-cleaning mechanism is in the actuated position.

(56) **References Cited**

U.S. PATENT DOCUMENTS

997 A 11/1838 Sanford
186,652 A 1/1877 White
(Continued)

(Continued)



1.9 is a left side view of the self-cleaning pet grooming implement when the self-cleaning mechanism is in the actuated position.

1.10 is a right side view of the self-cleaning pet grooming implement when the self-cleaning mechanism is in the actuated position.

1.11 is a front left perspective view of the self-cleaning pet grooming implement when the self-cleaning mechanism is in the actuated position.

1.12 is a rear left perspective view of the self-cleaning pet grooming implement when the self-cleaning mechanism is in the actuated position.

The broken lines shown are included for the purpose of illustrating portions of the self-cleaning pet grooming implement that form no part of the claim.

1 Claim, 12 Drawing Sheets

(58) **Field of Classification Search**

USPC ... 15/50.3, 52.1, 179, 183, 230.11; 119/600, 119/608, 609, 612, 615
 CPC A01K 13/002; A46B 15/00; A46B 17/06; A46B 2200/104; A46B 5/0012
 See application file for complete search history.

(56) **References Cited**

U.S. PATENT DOCUMENTS

202,410	A	4/1878	Cole
248,817	A	10/1881	Weaver et al.
250,349	A	12/1881	Dole
430,077	A	6/1890	Jenness
578,223	A	3/1897	Elving
591,273	A	10/1897	Griffey
648,845	A	5/1900	Callery et al.
670,254	A	3/1901	Slater, Sr.
717,377	A	12/1902	Flanders
749,596	A	1/1904	Webb
930,878	A	8/1909	Moore
1,142,698	A	6/1910	Grove et al.
1,012,653	A	12/1911	Knickerbocker
1,025,793	A	5/1912	Endsley
1,031,485	A	7/1912	Stroup
1,058,705	A	4/1913	Guettinger
1,135,645	A	4/1915	Woodall
1,172,544	A	2/1916	Metzner
1,280,204	A	8/1918	Garber
1,303,500	A	5/1919	Rosenberg
1,326,782	A	12/1919	Printz
1,386,344	A	8/1921	Lund
1,401,134	A	12/1921	Butterfield
1,644,208	A	10/1927	Stephens, Jr.
1,689,209	A	8/1928	Majewski
1,711,486	A	5/1929	Bushman
2,043,758	A	6/1936	Lay
2,205,200	A	6/1940	Huppert
2,238,603	A	4/1941	Runnels
2,363,967	A	9/1945	Hernon
2,529,927	A	11/1950	Fisk
2,781,739	A	2/1957	Dick et al.
2,879,777	A	3/1959	Miller
2,801,450	A	4/1959	Baudouin
3,059,260	A	8/1962	Pellet
D194,731	S	2/1963	Dent
3,107,665	A	10/1963	Nordgren

3,133,546	A	5/1964	Dent
3,172,139	A	3/1965	Wire
D237,225	S *	10/1975	Kahn D4/136
4,226,251	A	6/1980	Wall
D260,949	S	9/1981	Megna
D264,275	S	5/1982	Megna
4,412,365	A	11/1983	Schmitt
4,730,361	A	3/1988	Koffler
D317,083	S *	5/1991	Chou D4/115
5,267,528	A *	12/1993	Murieen, Sr. A46B 17/06 119/628
5,603,137	A	2/1997	Hasan
5,862,780	A	1/1999	Landreneau
5,922,139	A	7/1999	Gilbert
5,926,902	A	7/1999	Pierre
6,082,307	A	7/2000	Landreneau
6,427,633	B1 *	8/2002	Ogden A01K 13/002 119/600
D468,541	S	1/2003	Holmes et al.
6,510,816	B2	1/2003	Ehrmann
6,595,219	B2	7/2003	Anderson
D490,194	S	5/2004	Plante et al.
D513,349	S *	12/2005	Hammer D30/158
7,077,076	B2	7/2006	Porter et al.
7,222,588	B2	5/2007	Porter et al.
7,334,540	B2	2/2008	Porter et al.
7,353,777	B2 *	4/2008	Morosin A01K 13/002 119/612
D584,863	S	1/2009	Garry et al.
7,509,926	B2	3/2009	Porter et al.
7,650,857	B2	1/2010	Porter et al.
7,650,858	B2	1/2010	Porter et al.
7,717,087	B2	5/2010	Porter et al.
D616,651	S *	6/2010	Lin D30/158
7,739,769	B2 *	6/2010	DiPippo A46B 17/06 119/628
D627,565	S *	11/2010	Tyce D4/102
7,908,700	B2	3/2011	DiPippo
8,082,887	B2 *	12/2011	Fernandez A01K 13/002 119/612
8,127,773	B2 *	3/2012	DiPippo A45D 24/42 119/628
8,181,304	B1	5/2012	Kamath
8,342,188	B2	1/2013	Pabari et al.
8,857,005	B2 *	10/2014	Shim A46B 15/00 132/119
D749,326	S	2/2016	Rennette
2001/0037772	A1	11/2001	Huddleston
2005/0150465	A1	7/2005	Dunn et al.
2006/0000423	A1 *	1/2006	Morosin A01K 13/002 119/600
2006/0249094	A1	11/2006	Hellyer
2007/0033758	A1	2/2007	Wang
2012/0111282	A1	5/2012	Dennis
2014/0158151	A1	6/2014	Sebagereka et al.
2017/0172105	A1 *	6/2017	Murrihy A01K 13/002

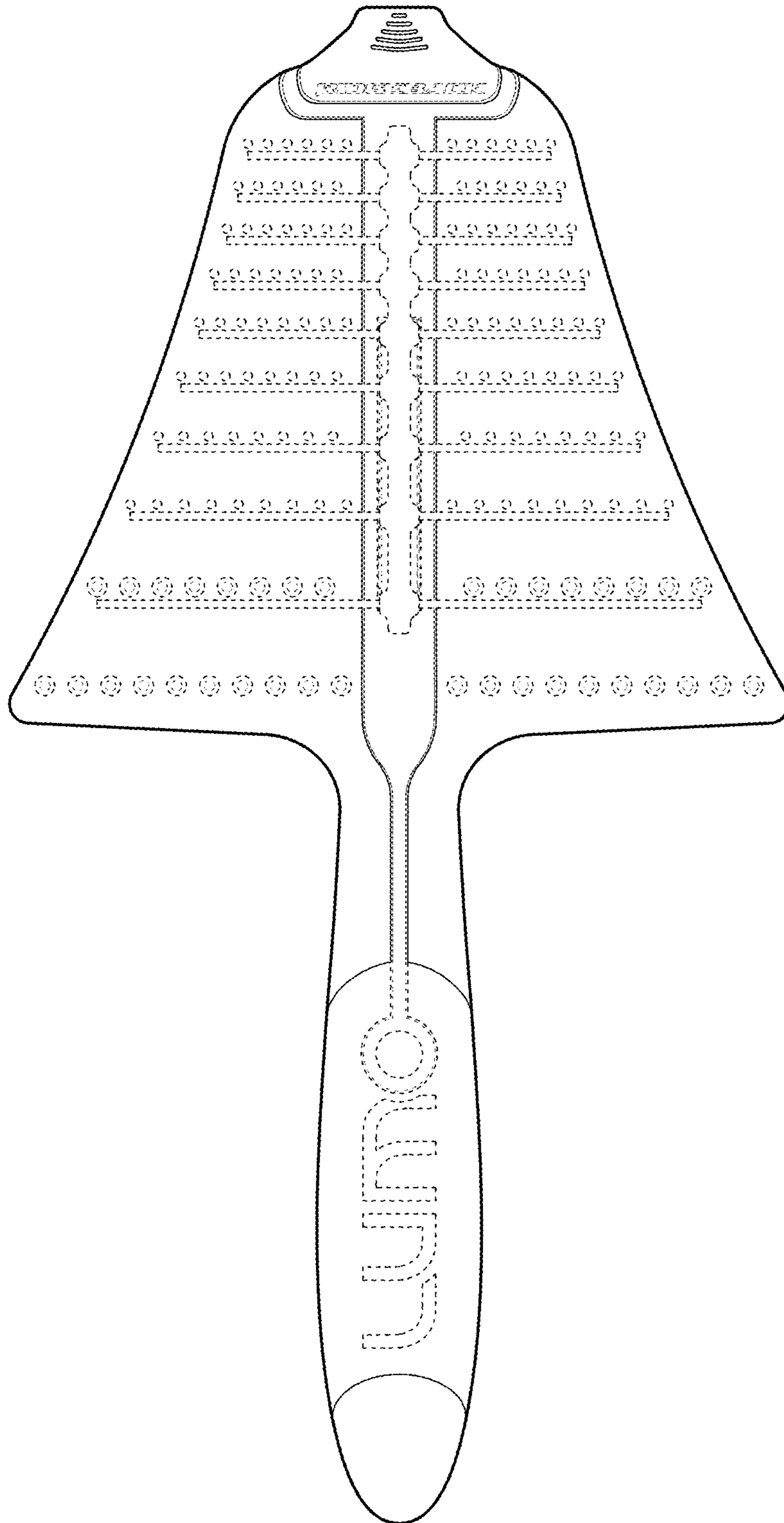
FOREIGN PATENT DOCUMENTS

GB	539653	9/1941
GB	794594	5/1958

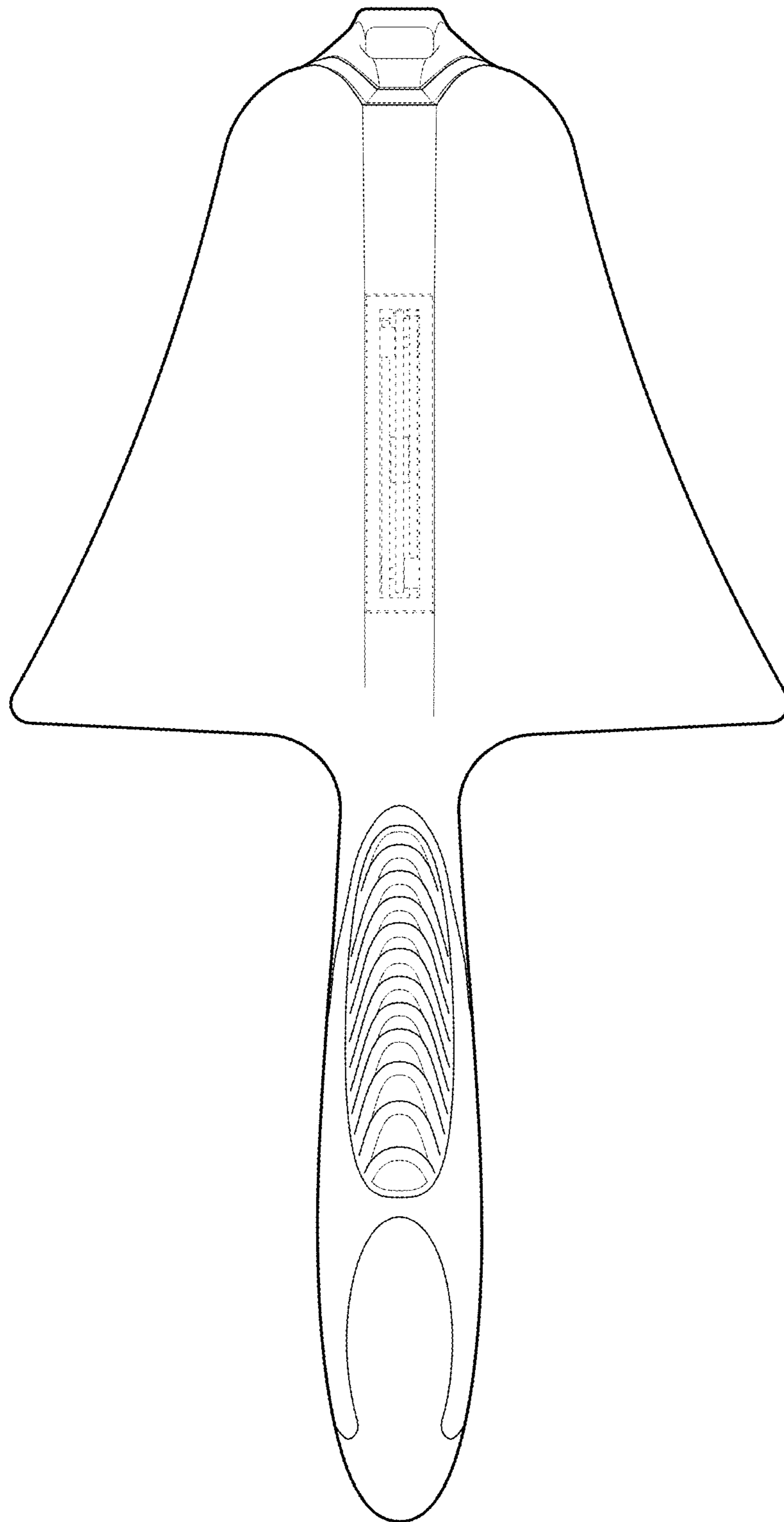
OTHER PUBLICATIONS

International Searching Authority, International Search Report—International Application No. PCT/US16/66515, dated Apr. 20, 2017 together with the Written Opinion of the International Searching Authority, 11 pages.

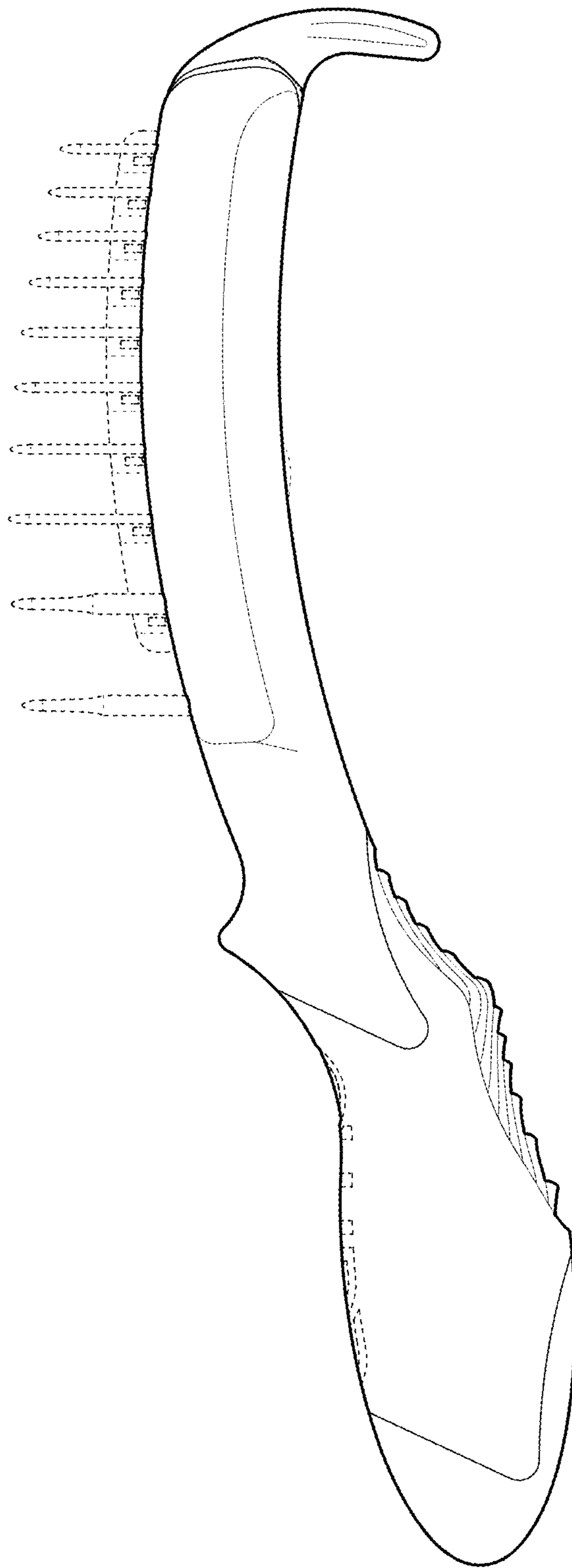
* cited by examiner



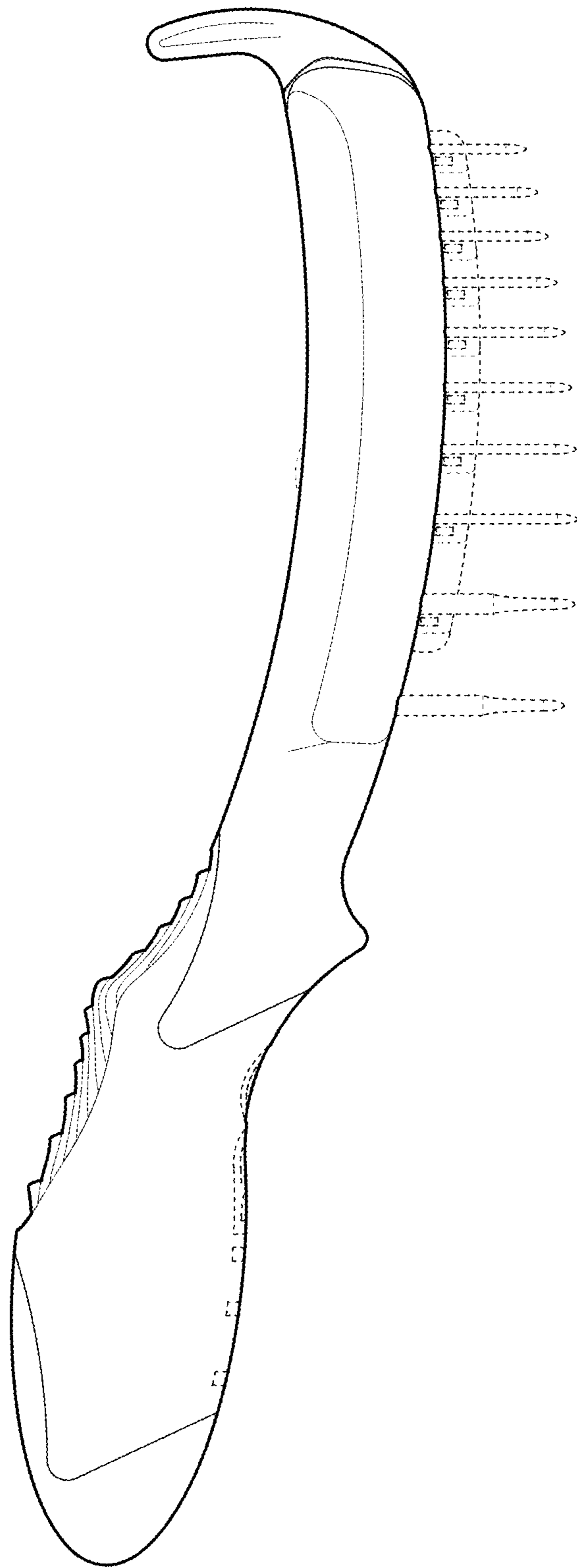
1.1



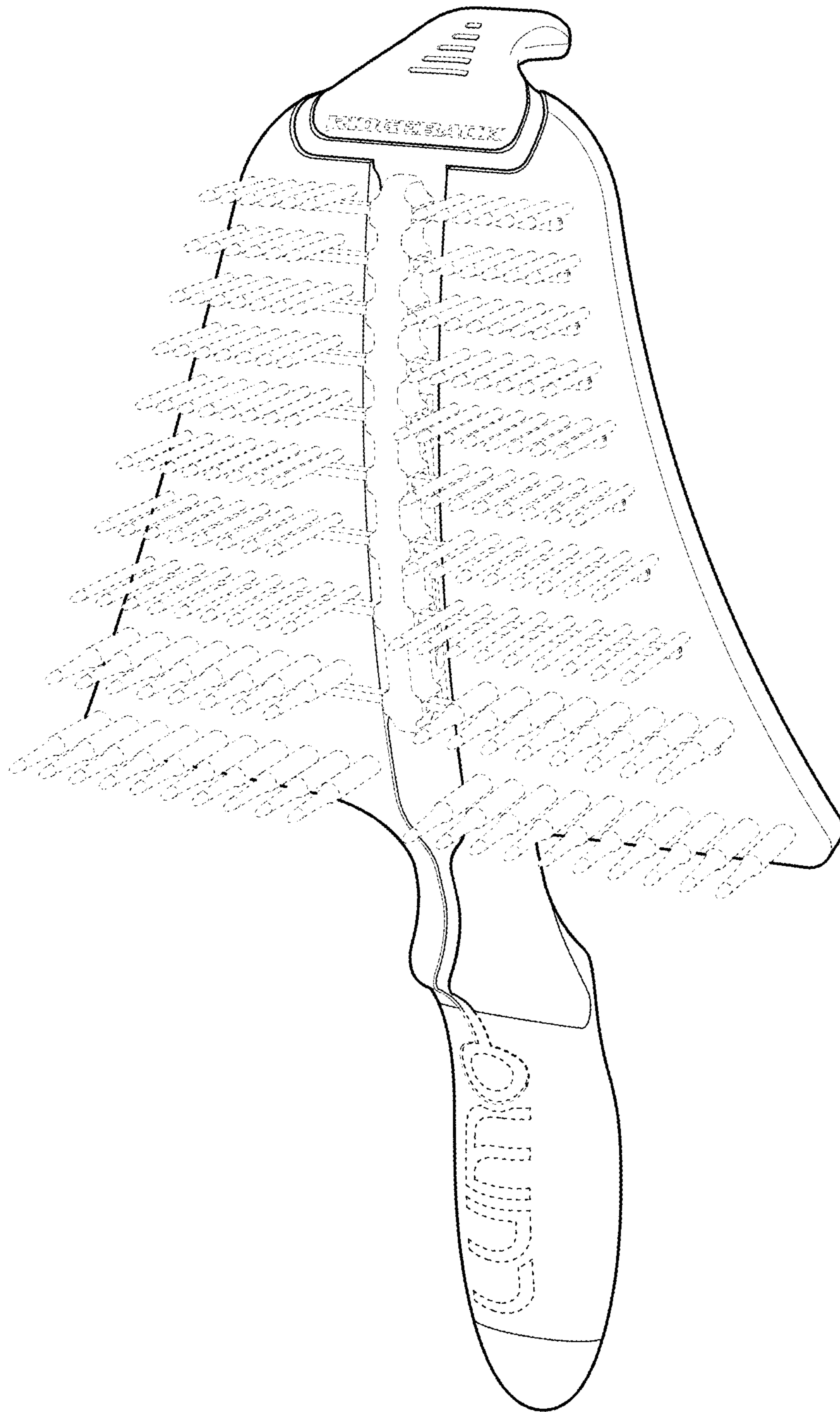
1.2



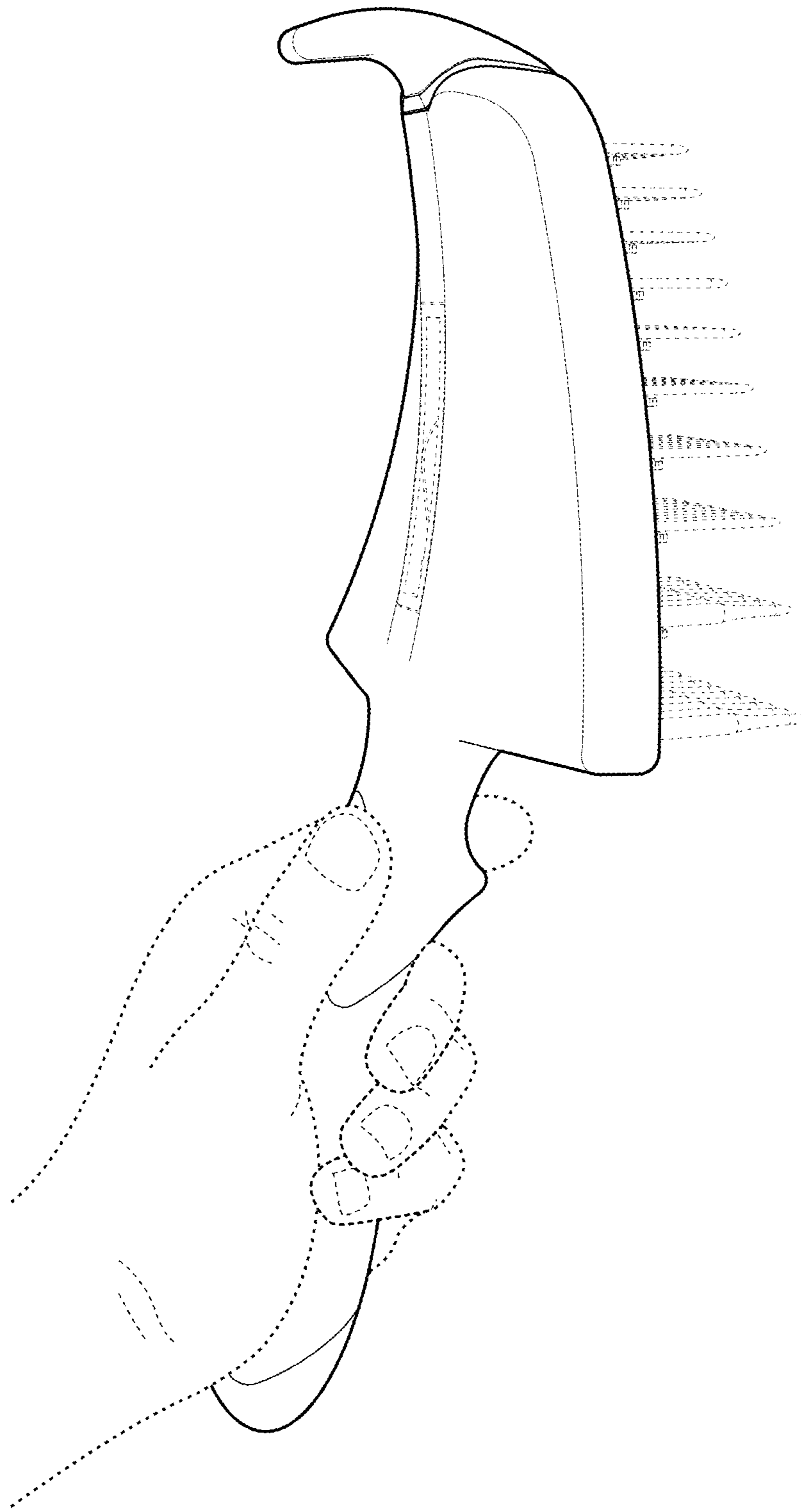
1.3



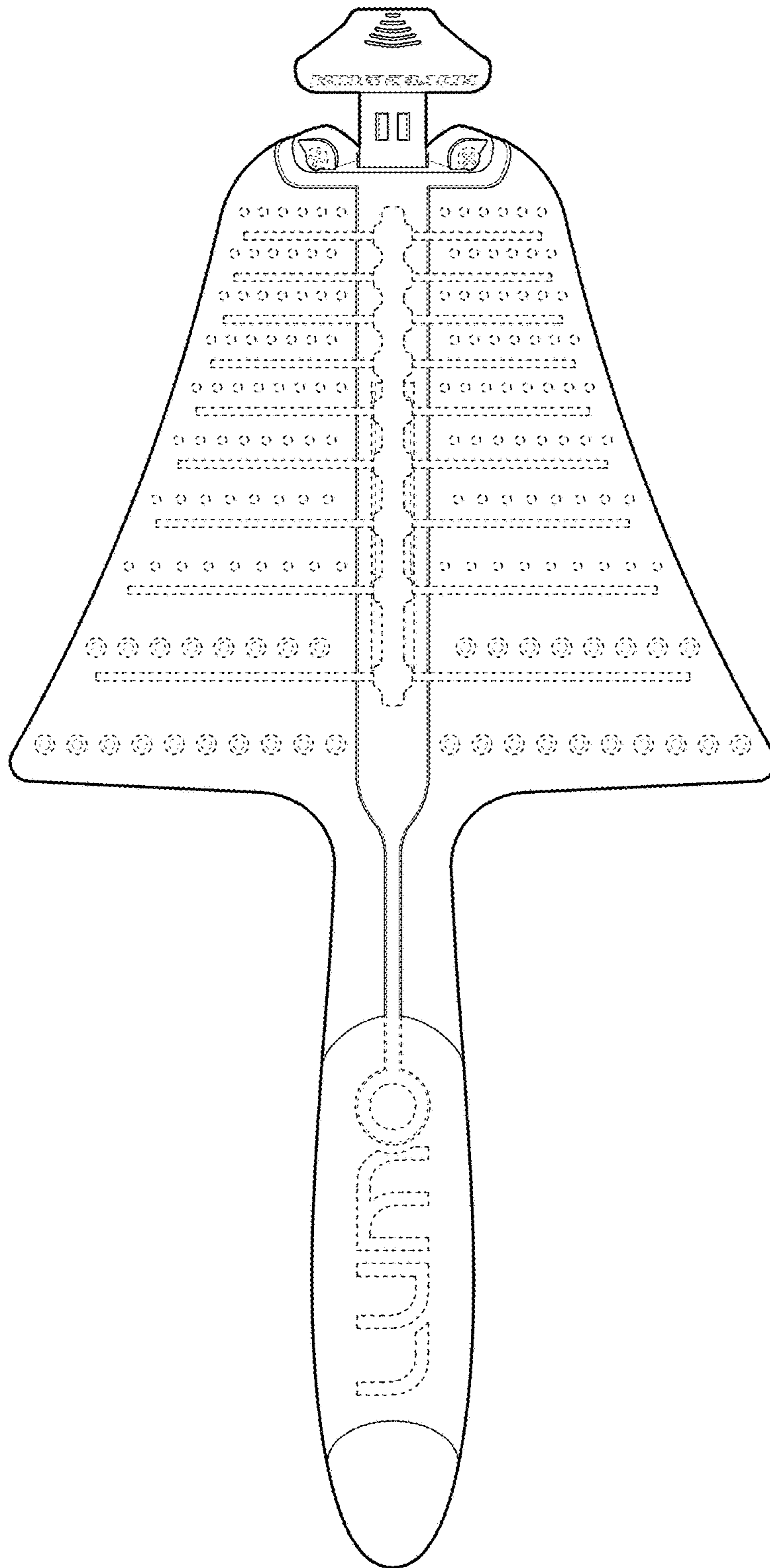
1.4



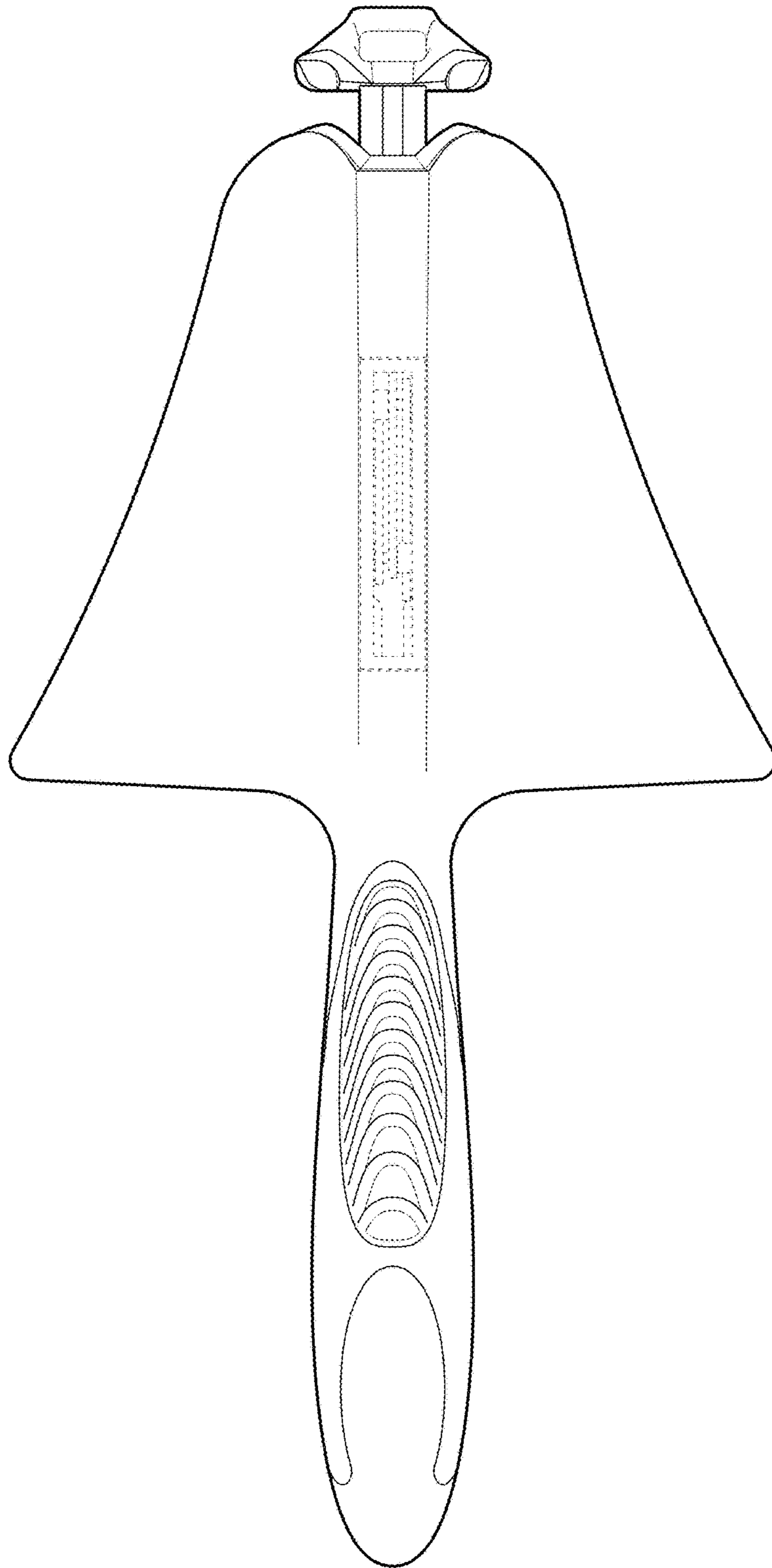
1.5



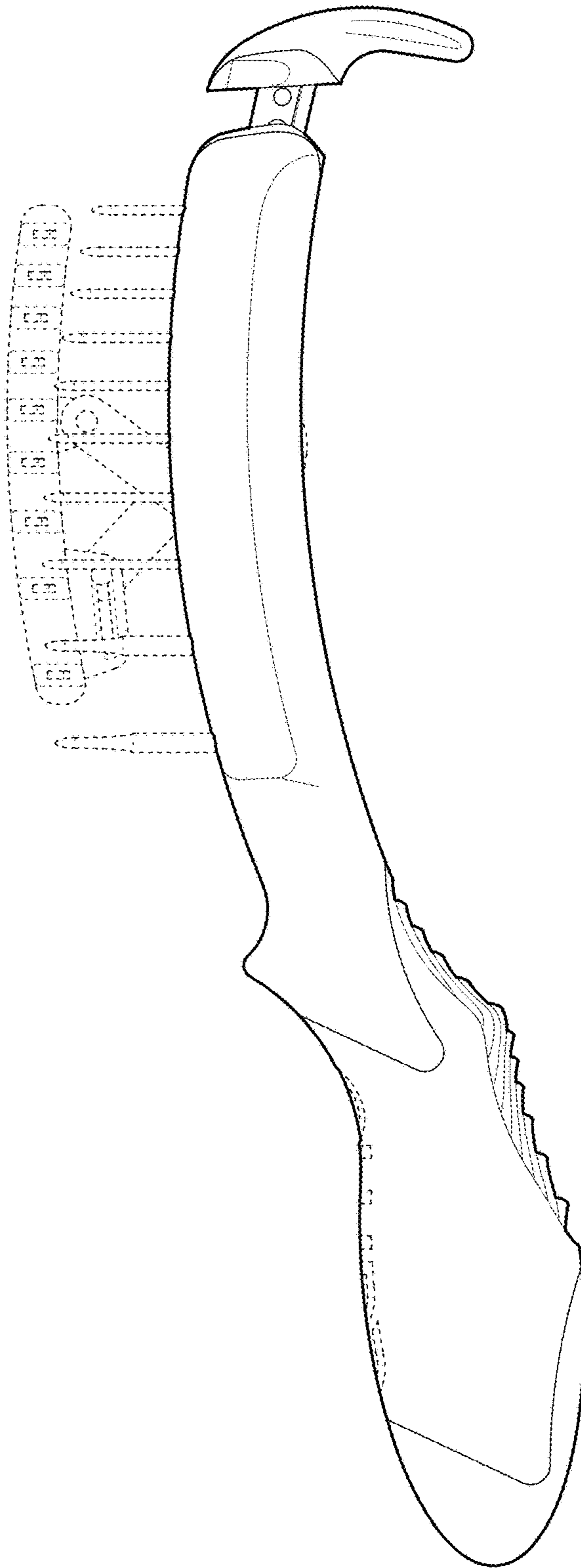
1.6



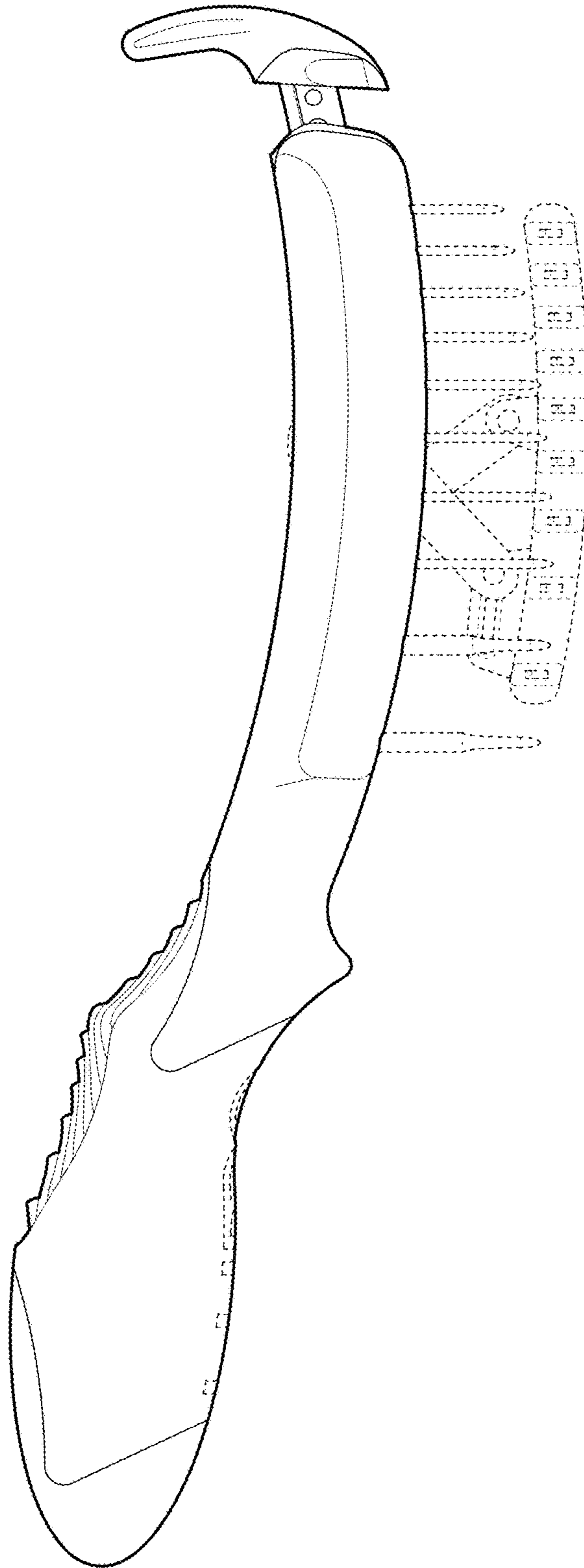
1.7



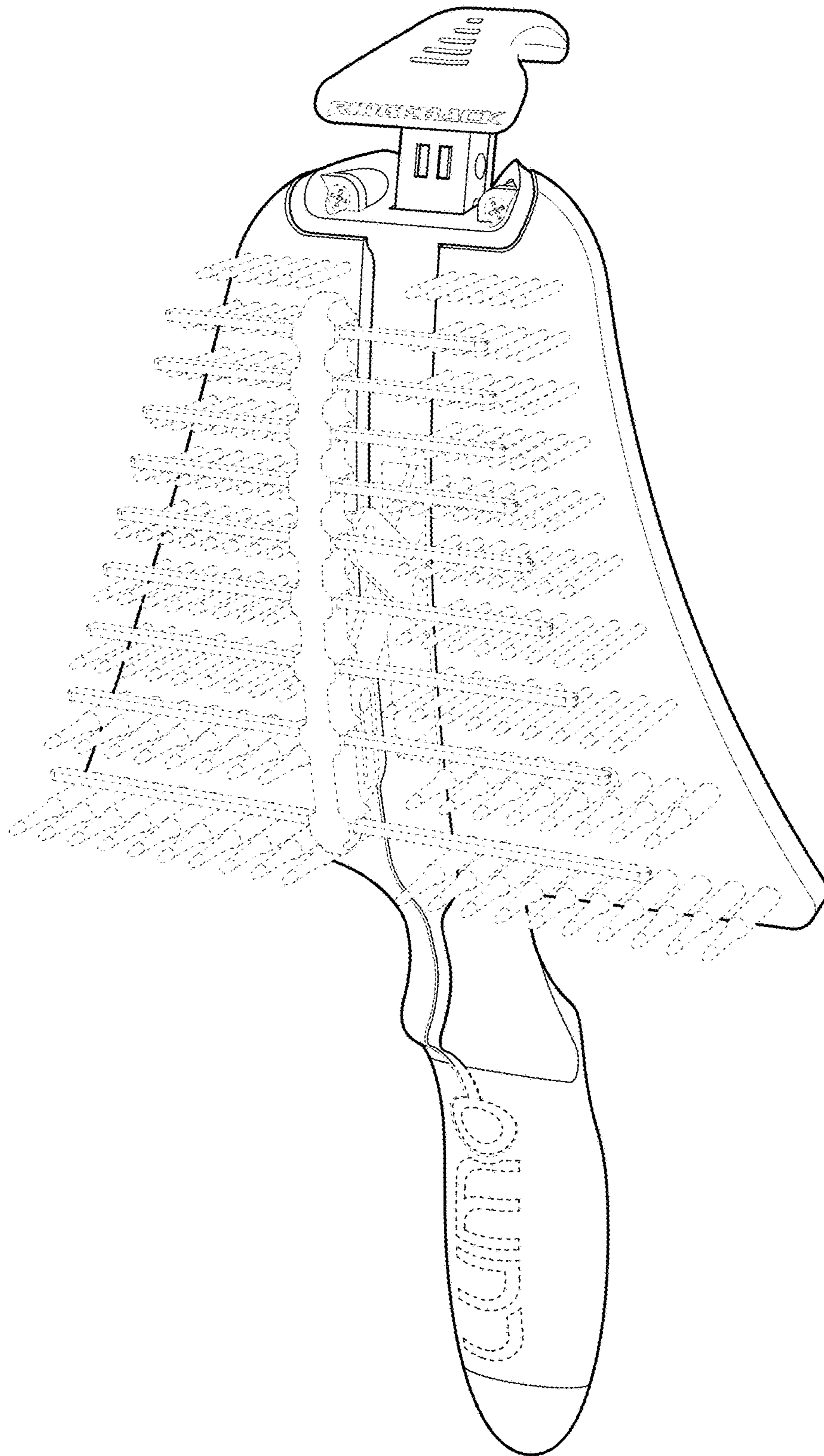
1.8



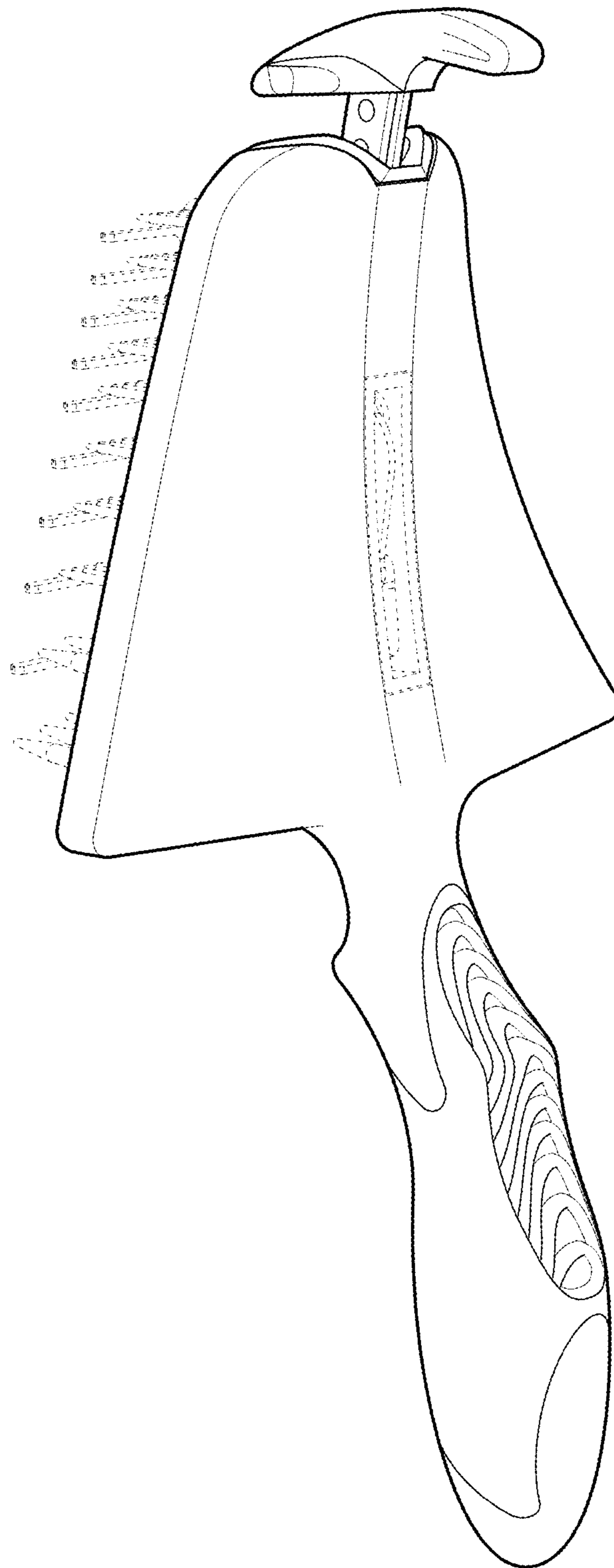
1.9



1.10



1.11



1.12