



US00D822386S

(12) **United States Design Patent**
Tsai

(10) **Patent No.:** **US D822,386 S**

(45) **Date of Patent:** **** Jul. 10, 2018**

- (54) **TOOLBOX**
- (71) Applicant: **Sheng-Feng Tsai**, Taichung (TW)
- (72) Inventor: **Sheng-Feng Tsai**, Taichung (TW)
- (**) Term: **15 Years**
- (21) Appl. No.: **29/618,596**
- (22) Filed: **Sep. 22, 2017**

D722,770 S *	2/2015	Lin	D3/273
D733,429 S *	7/2015	Grenier	D3/294
D805,775 S *	12/2017	Tsai	D3/298
D808,653 S *	1/2018	Rayeski	D3/273
D814,187 S *	4/2018	Caglar	D3/276

Related U.S. Application Data

- (63) Continuation of application No. 29/582,062, filed on Oct. 25, 2016, now Pat. No. Des. 805,775.
- (51) **LOC (11) Cl.** **03-01**
- (52) **U.S. Cl.**
USPC **D3/321; D3/905**
- (58) **Field of Classification Search**
USPC D3/203.2, 203.3, 203.6, 273, 279, 276,
D3/284, 294, 302, 905, 274, 281, 282,
D3/283, 295, 321
CPC B25H 3/00; B25H 3/003; B25H 3/006;
B25H 3/02-3/028; A45C 5/00; A45C
13/29
See application file for complete search history.

References Cited

U.S. PATENT DOCUMENTS

D477,912 S *	8/2003	Cunningham	D3/273
D527,523 S *	9/2006	Cornwell	D3/294
D572,480 S *	7/2008	Buck	D3/294
D578,757 S *	10/2008	Stevens	D3/272
D704,442 S *	5/2014	Chen	D3/294
D712,137 S *	9/2014	Hsu	D3/228

OTHER PUBLICATIONS

Home Depot, "Dewalt Maxfit Driving Bit Set (30-Piece)", First reviewed on Apr. 26, 2014. (<https://www.homedepot.com/p/DEWALT-MAXFIT-Driving-Bit-Set-30-Piece-DWA2SLS30/204786203>).*

* cited by examiner

Primary Examiner — Jennifer Rivard

Assistant Examiner — April Rivas

(74) *Attorney, Agent, or Firm* — LeClairRyan

(57) **CLAIM**

The ornamental design for a toolbox, as shown and described.

DESCRIPTION

FIG. 1 is a perspective view of a toolbox showing my new design;

FIG. 2 is a front elevational view thereof;

FIG. 3 is a rear elevational view thereof;

FIG. 4 is a left side elevational view thereof;

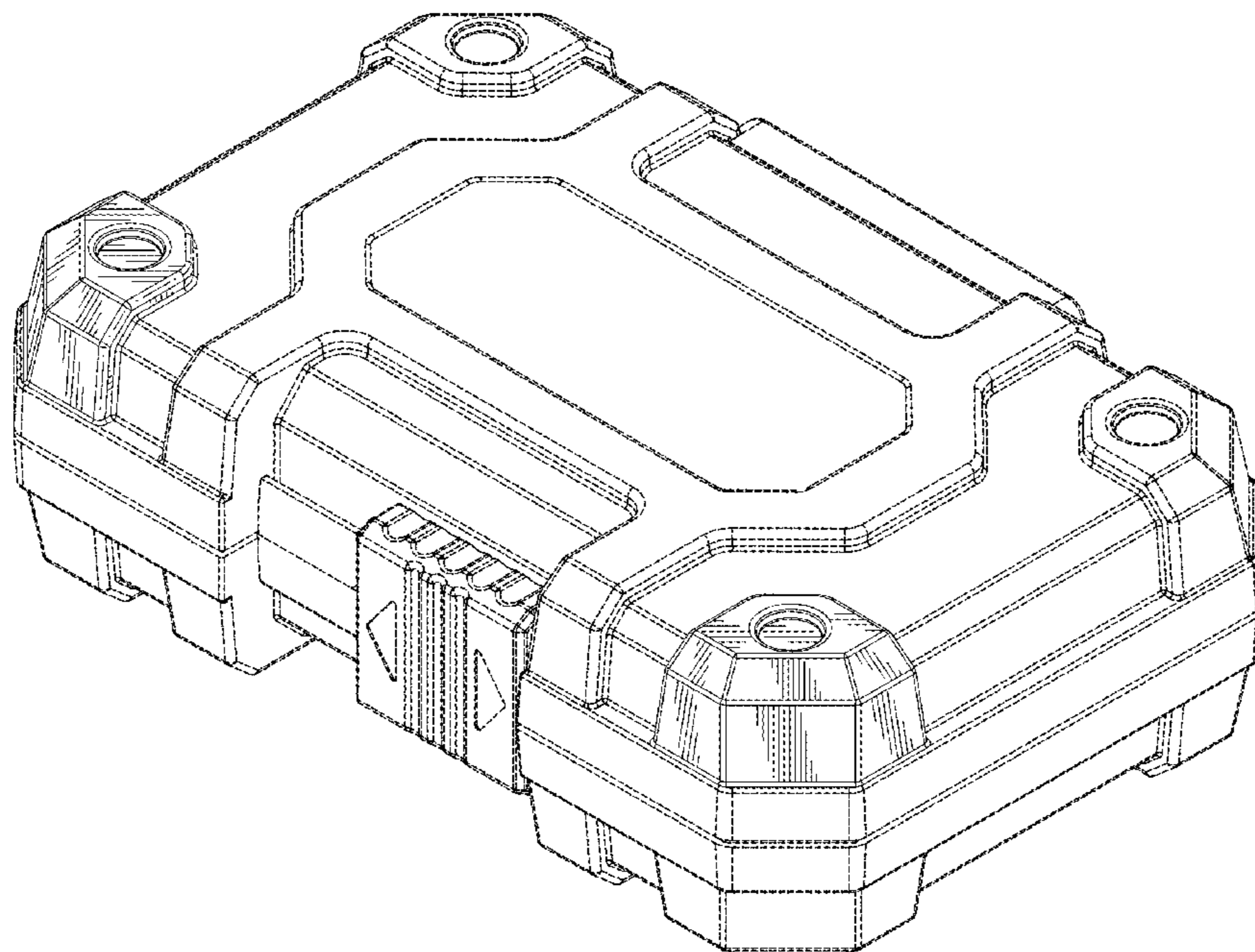
FIG. 5 is a right side elevational view thereof;

FIG. 6 is a top plan view thereof; and,

FIG. 7 is a bottom plan view thereof.

The broken lines depict portions of a toolbox in which the design is embodied that form no part of the claimed design.

1 Claim, 7 Drawing Sheets



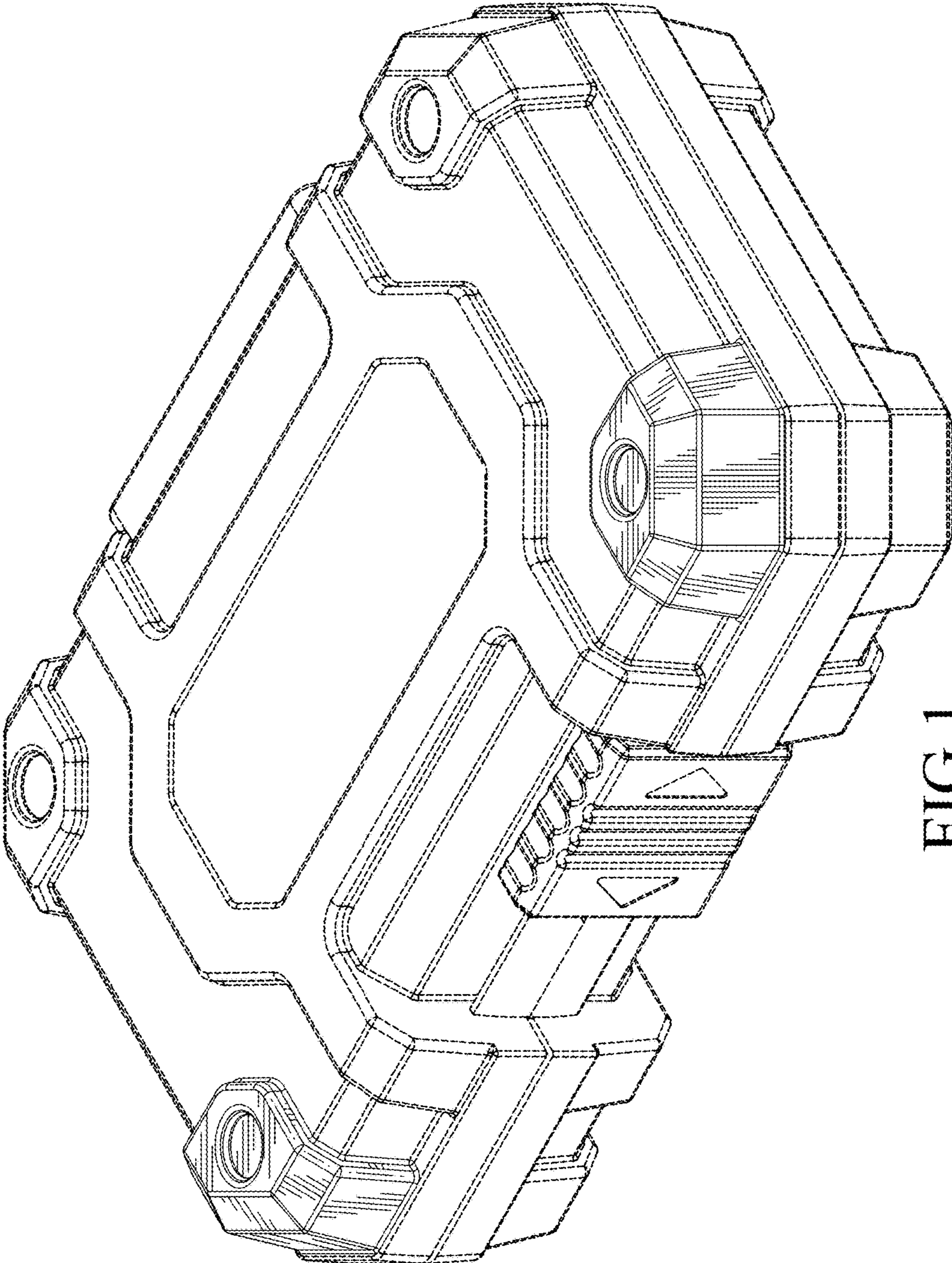


FIG. 1

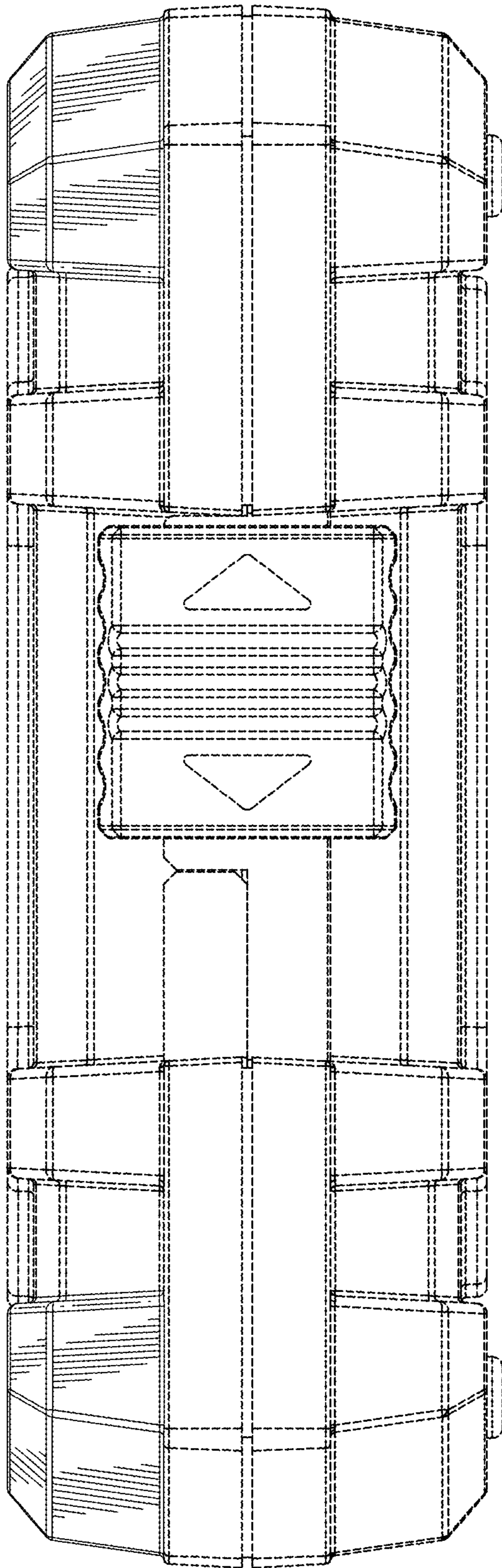


FIG. 2

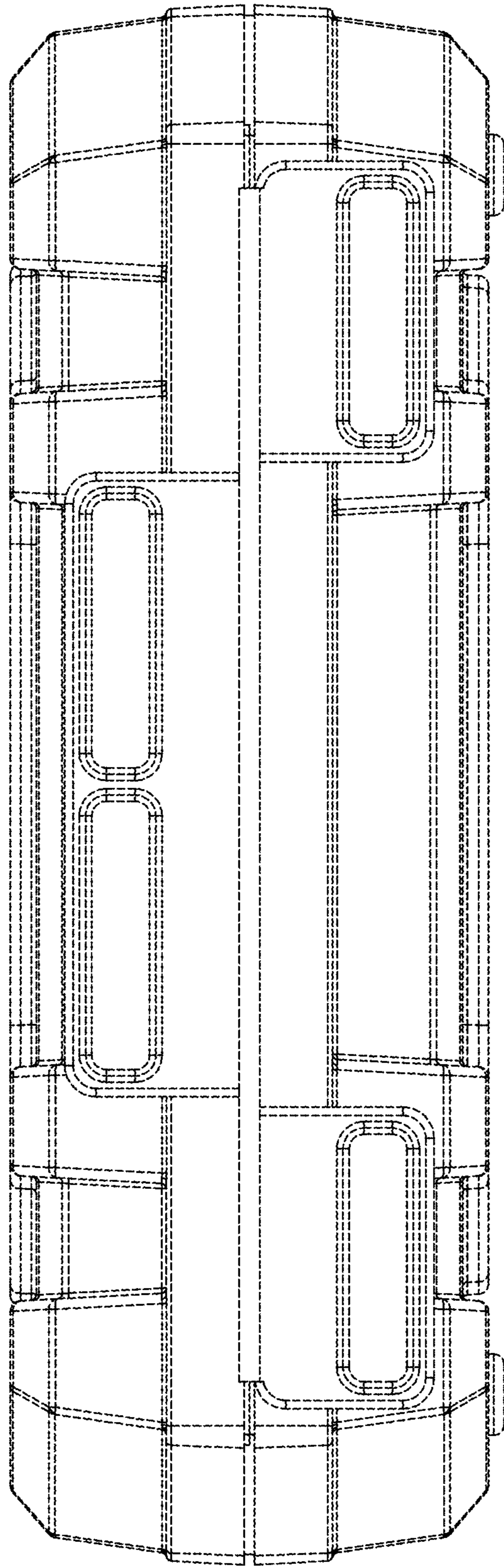


FIG.3

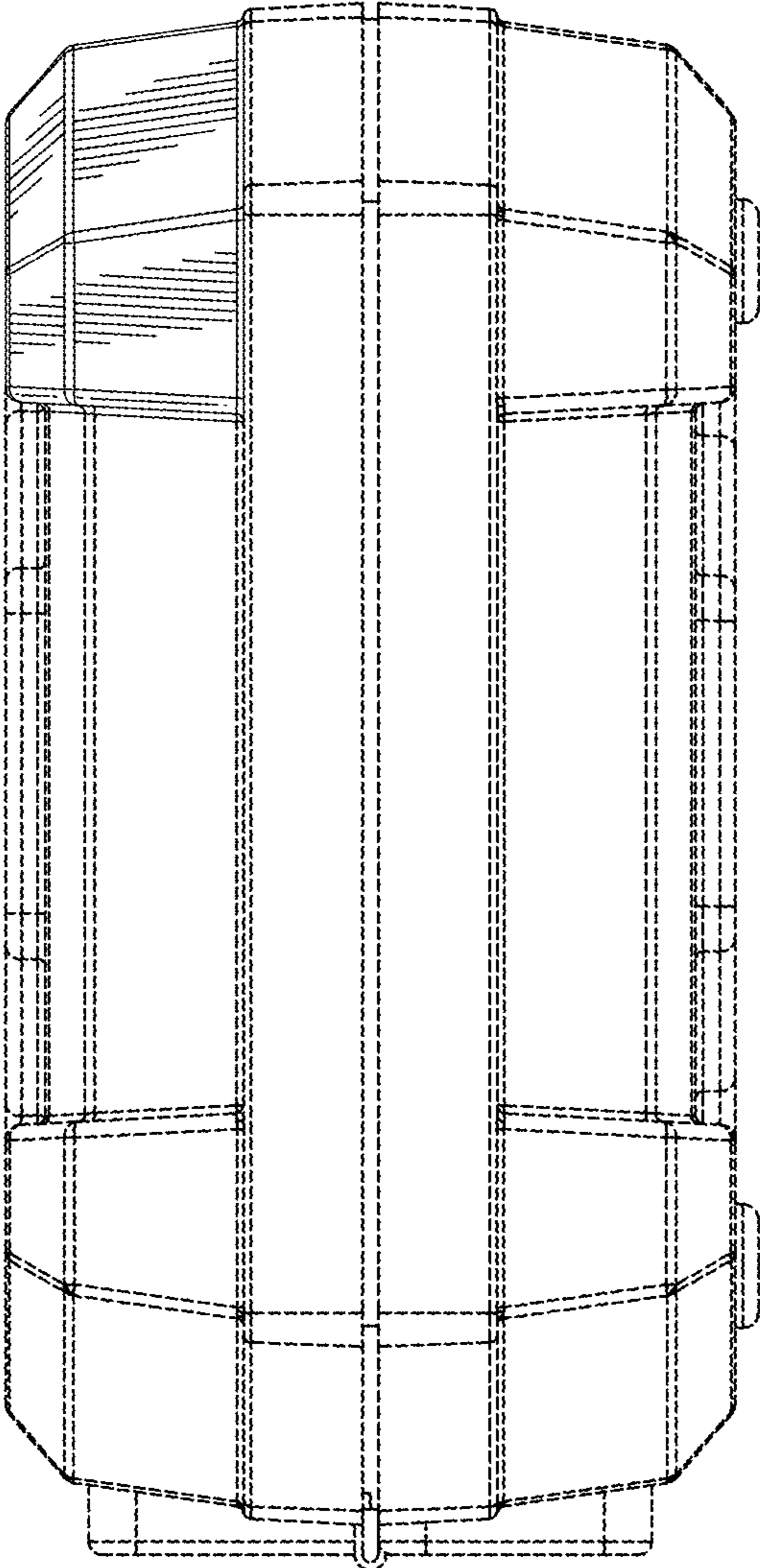


FIG.4

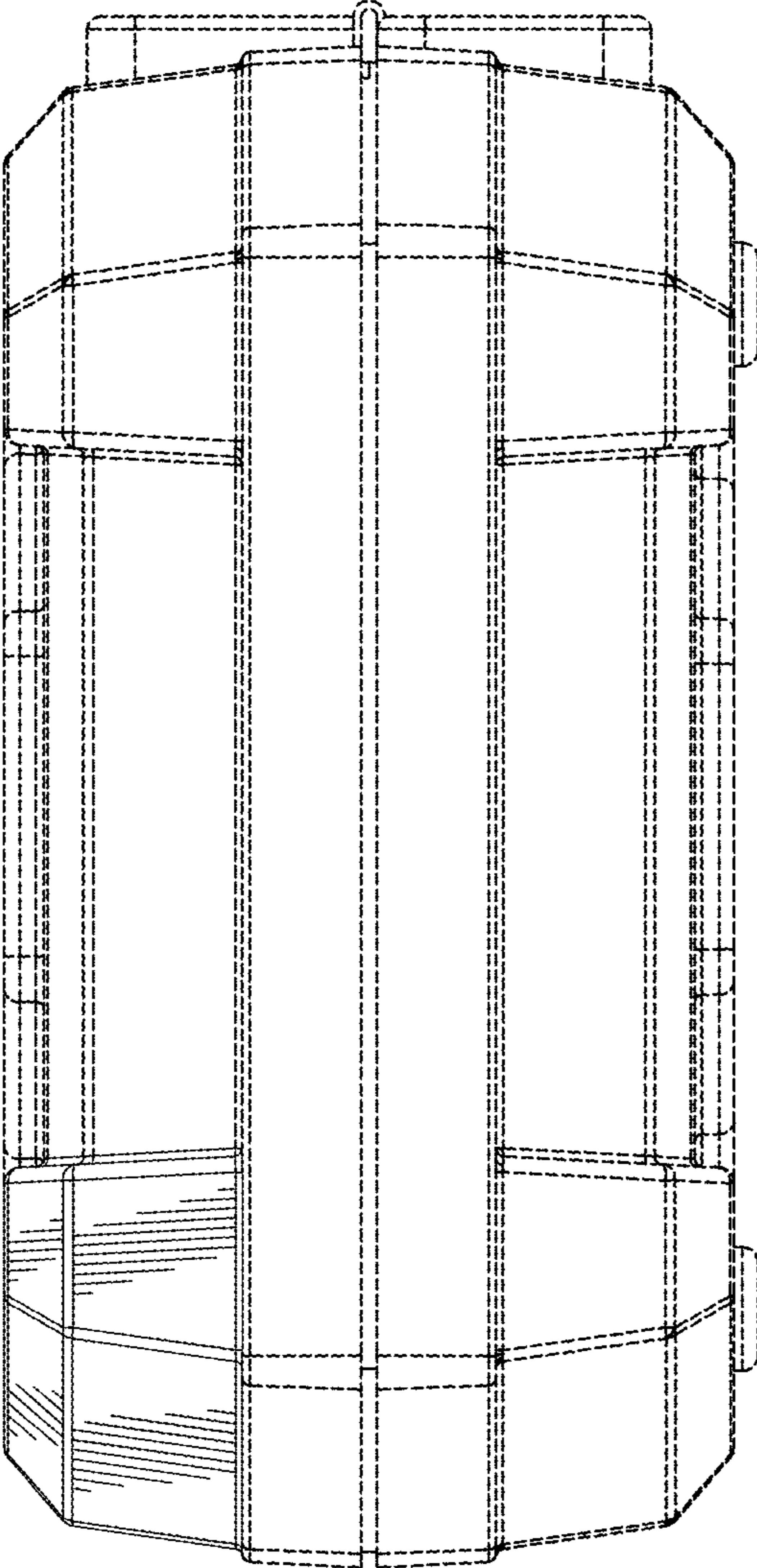


FIG. 5

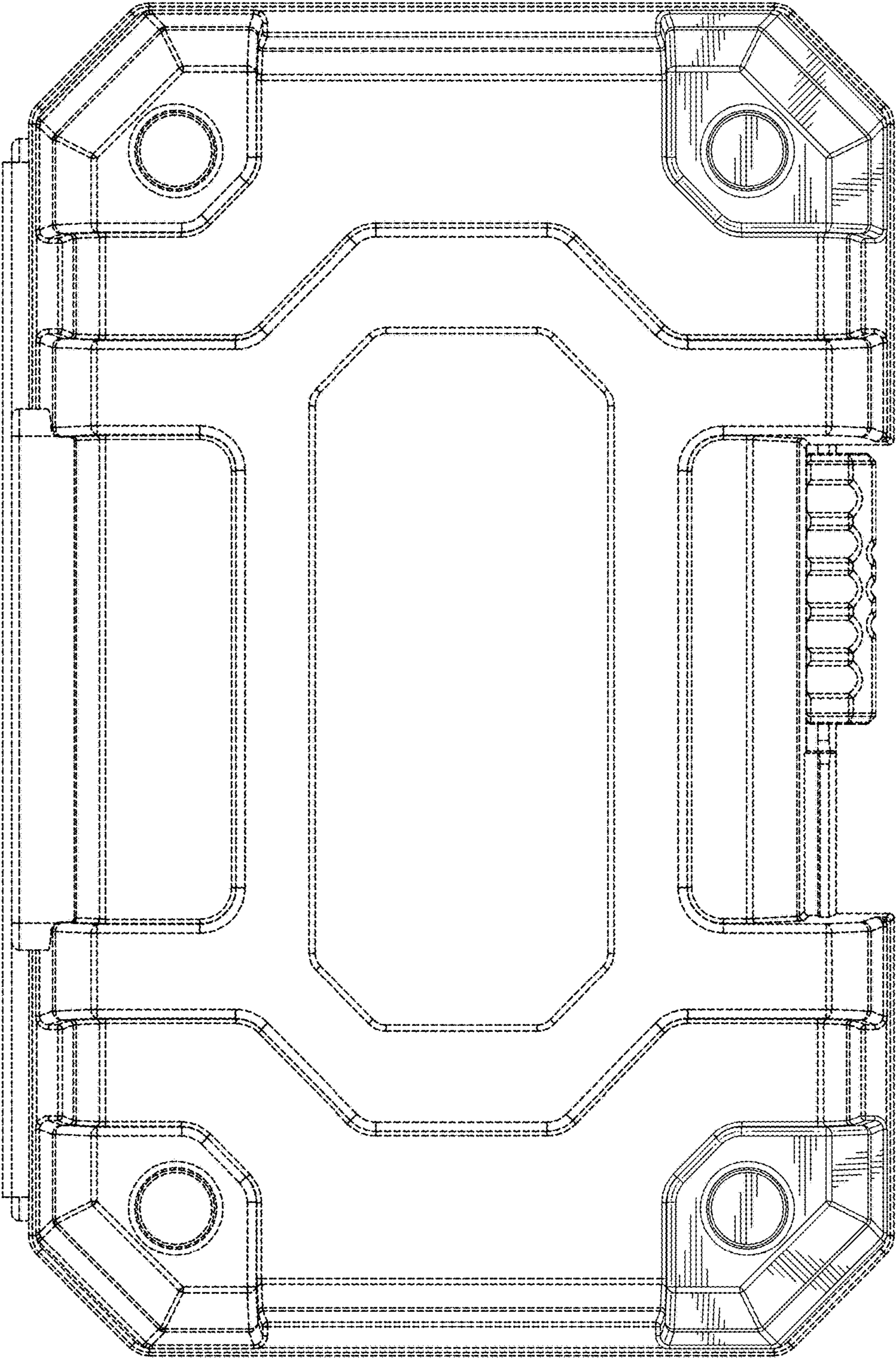


FIG.6

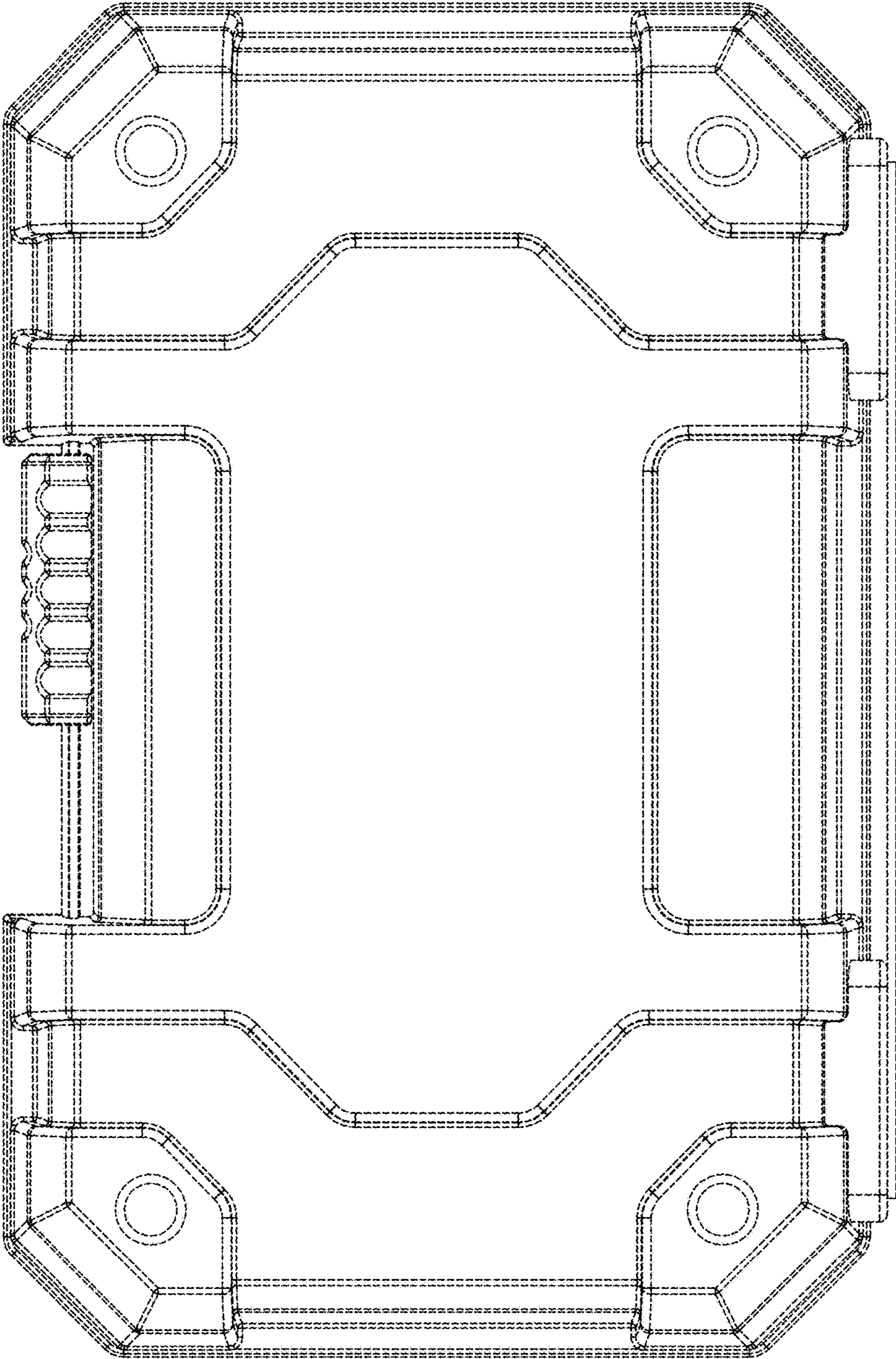


FIG.7